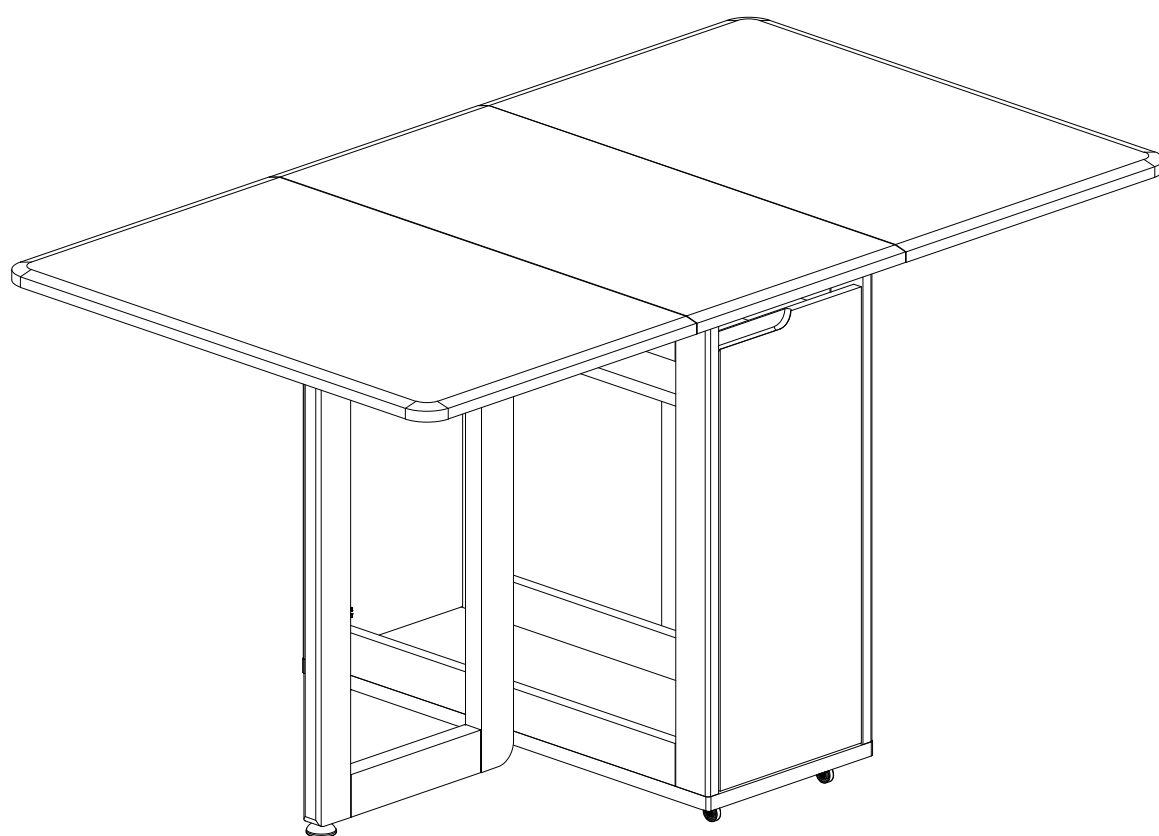


Installation & Assembly



Installation Diagram

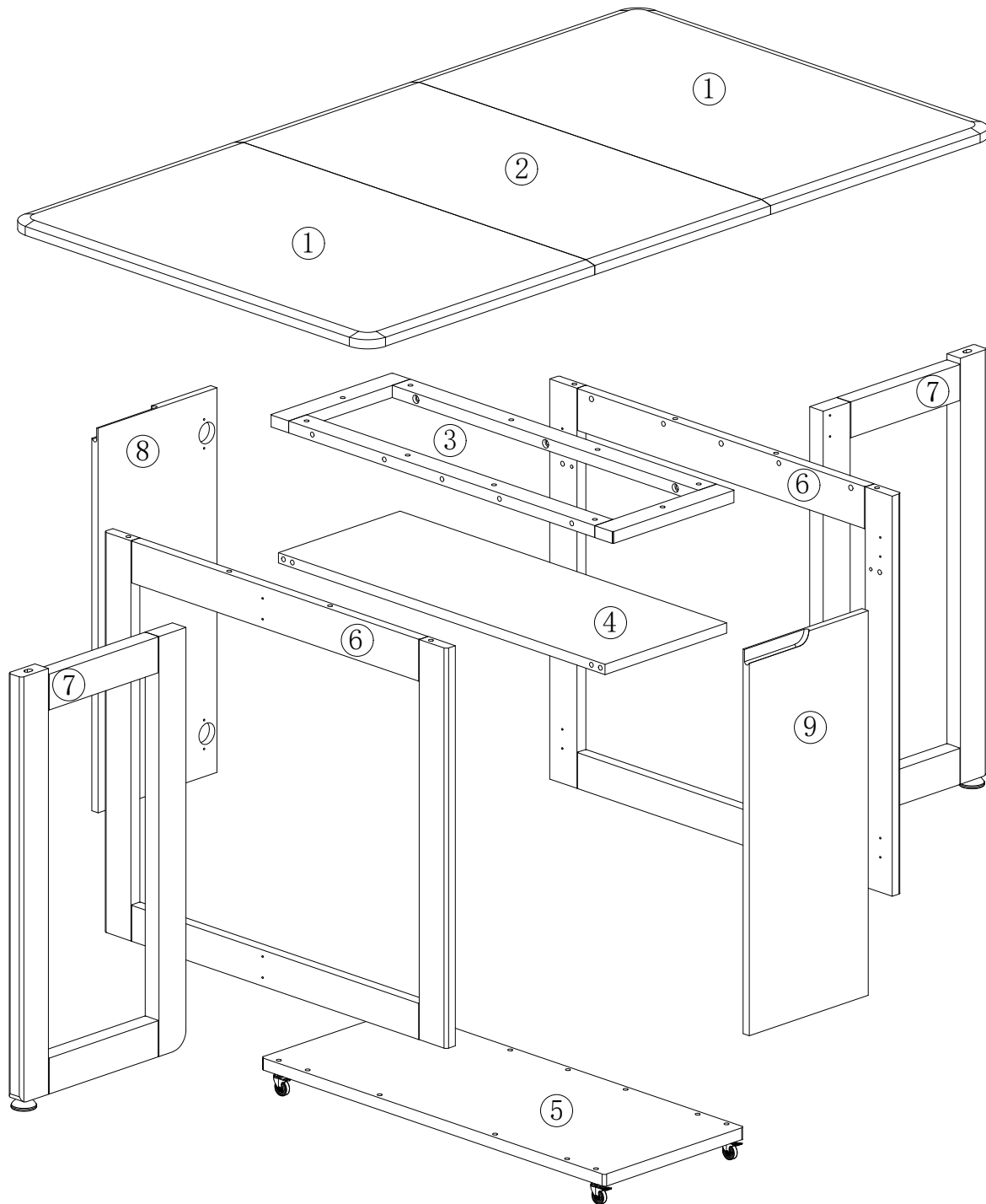
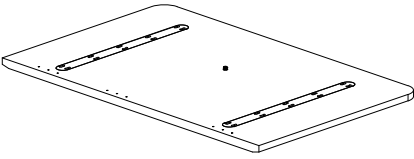
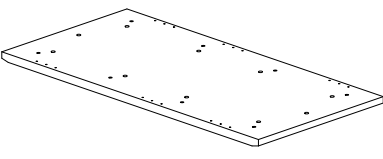
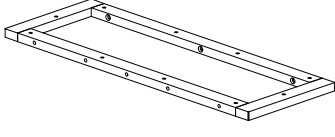
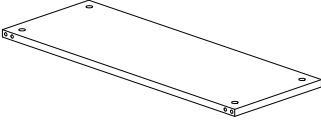
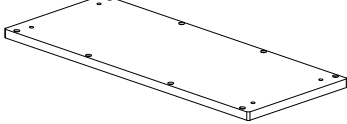
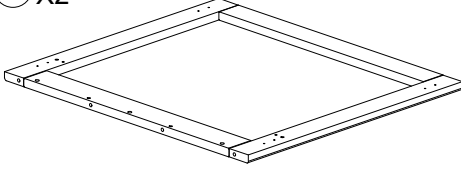
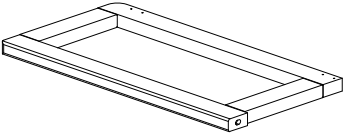
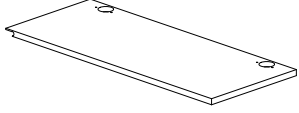
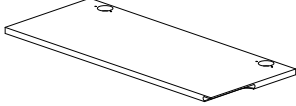
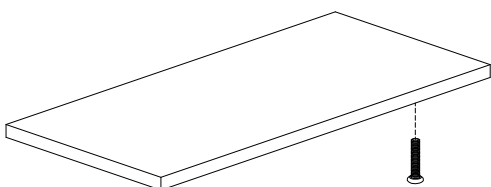


Table of components

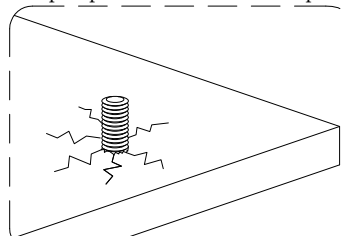
<p>① x2</p> 	<p>② x1</p> 	<p>③ x1</p> 
<p>④ x1</p> 	<p>⑤ x1</p> 	<p>⑥ x2</p> 
<p>⑦ x2</p> 	<p>⑧ x1</p> 	<p>⑨ x1</p> 

Note that

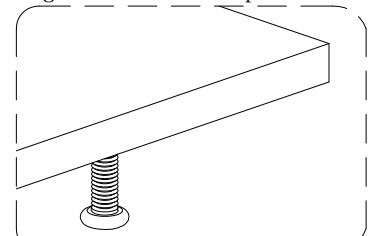
Using the proper screws will prevent damage to these components.



示例

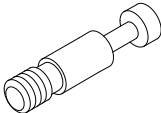

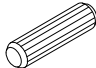
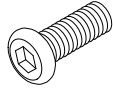
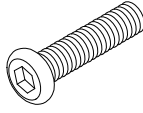
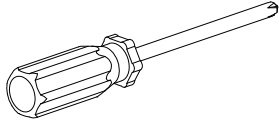
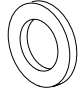
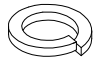
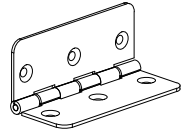
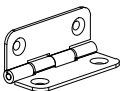


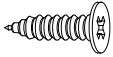
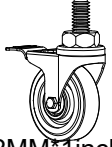





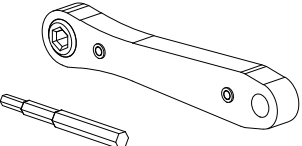


Mistake: Screws can cause the board to split

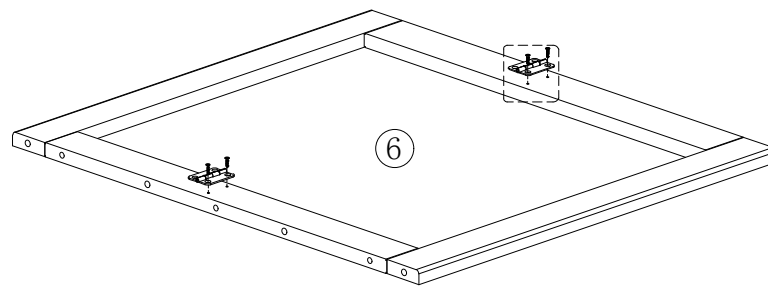
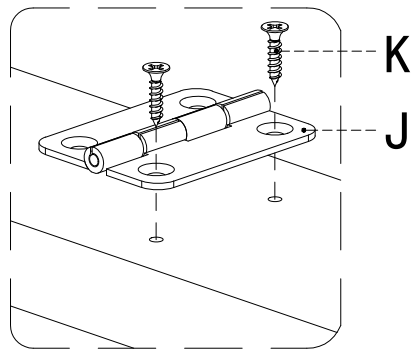





Correct: screws are the correct size

Hardware table

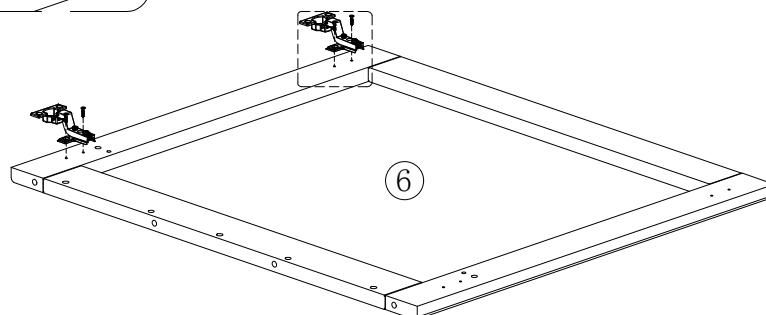
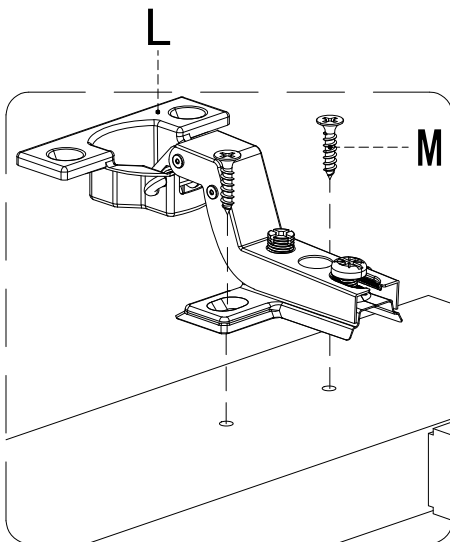
<p>A X4</p>  <p>L=40mm</p>	<p>B X4</p>  <p>Ø15MM</p>	<p>C X22+2</p>  <p>M8*30</p>
<p>D X18+1</p>  <p>M6*35MM</p>	<p>E X6+1</p>  <p>M6*50MM</p>	<p>F X1</p>  <p>M6*128MM</p>
<p>G X24+2</p>  <p>M6*13mm</p>	<p>H X24+2</p>  <p>M6</p>	<p>I X6</p>  <p>76mmlong Reinforcement</p>
<p>J X4</p>  <p>52mm long Reinforcement</p>	<p>K X52+6</p>  <p>Ø3.5*16MM</p>	<p>L X4</p>  <p>Ø35835 Big Bend Short Arm (without cushion)</p>
<p>M X16+2</p>  <p>Ø3.5*14MM</p>	<p>N X2</p>  <p>Screw M6*12MM*1inch Total height 43MM(with brake)</p>	<p>O X2</p>  <p>M6*12MM*1 inch screw rod 43mm high(without brake)</p>
<p>P X2</p>  <p>M8*Ø40MM*Tooth length 22mm</p>	<p>Q X1</p>  <p>Opening14MM</p>	<p>R X1</p>  <p>M4*57</p>
<p>S X2</p>  <p>Ø10*3MM</p>	<p>T X1</p>  <p>M4</p>	




Step1



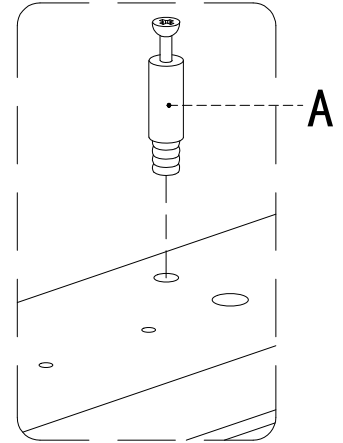
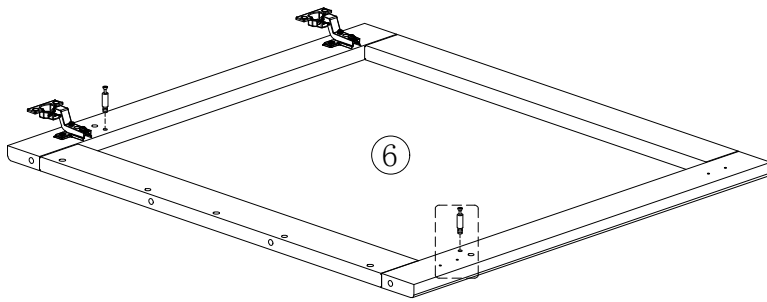
J		X4
K		X8
F		X1

Step2



L		X4
M		X8
F		X1

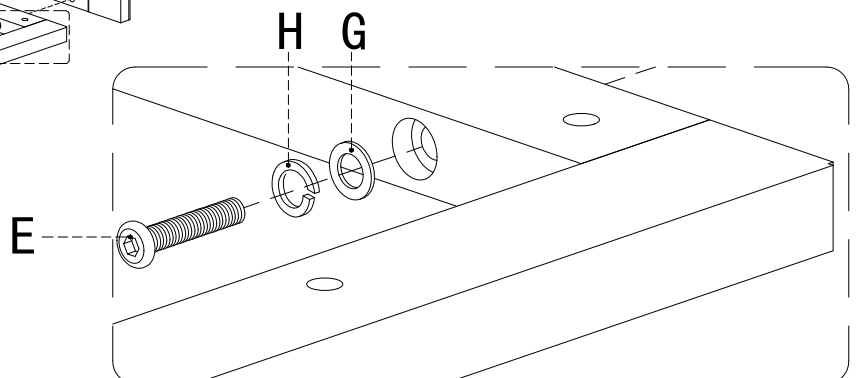
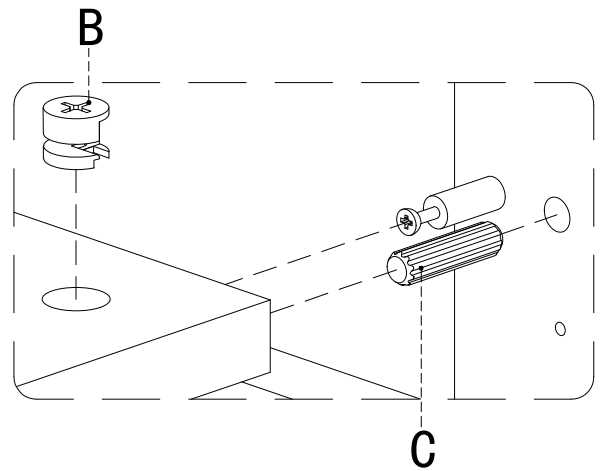
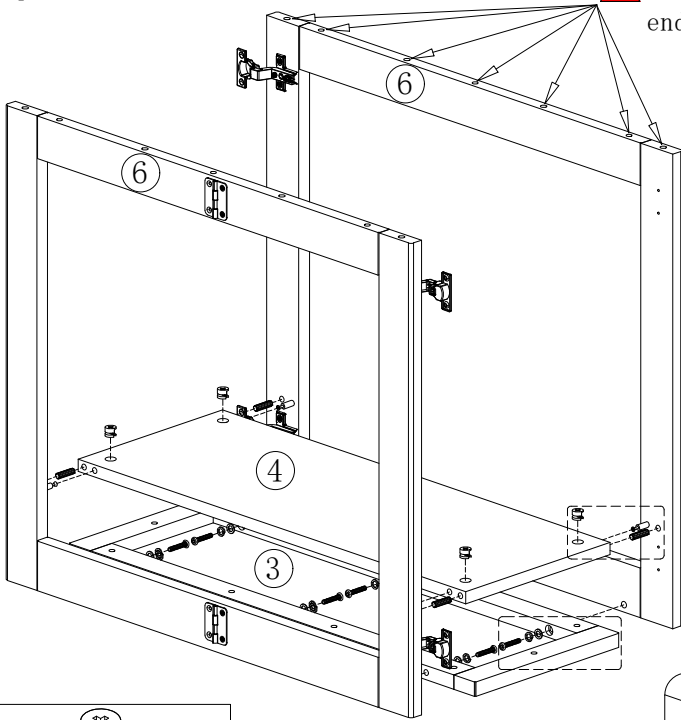
Step3



A		X4
F		X1

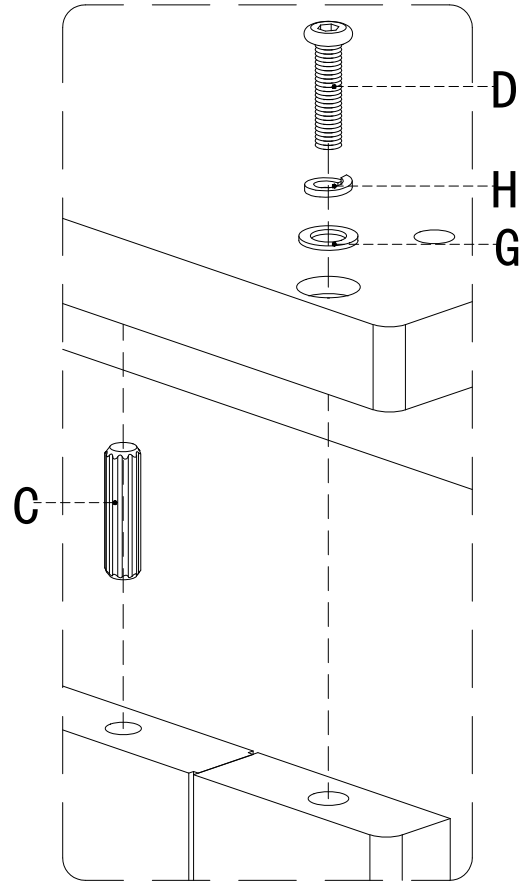
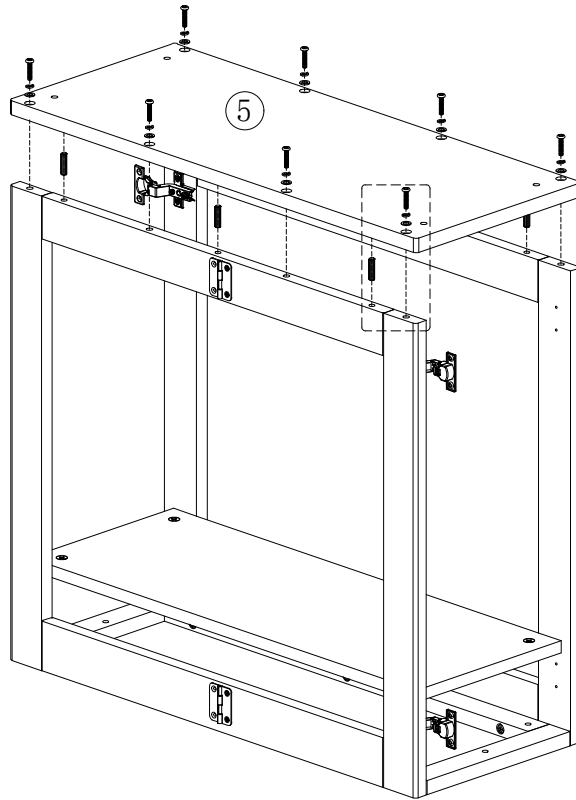
Step4






Note the 7 holes on the end face



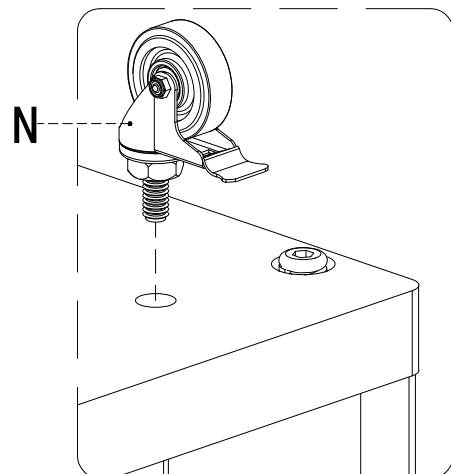
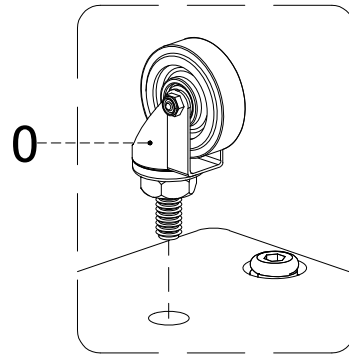
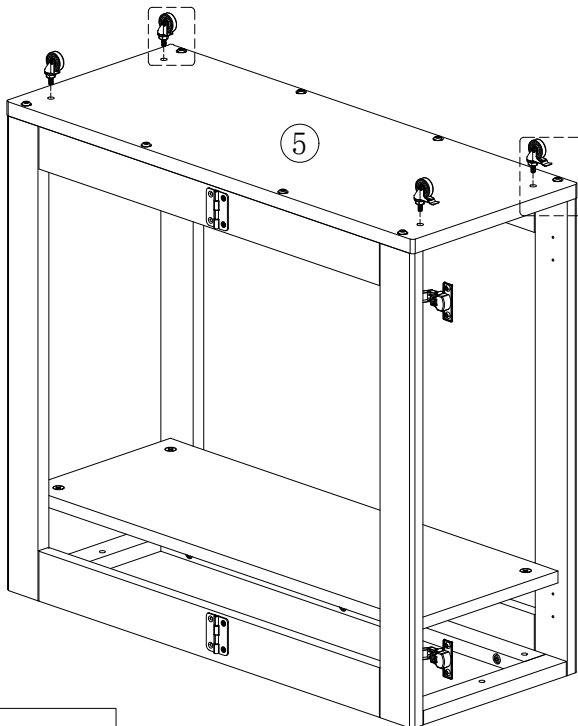
B		X4	
C		X8	
E		X6	
G		X6	F X1
H		X6	R X1




Step5



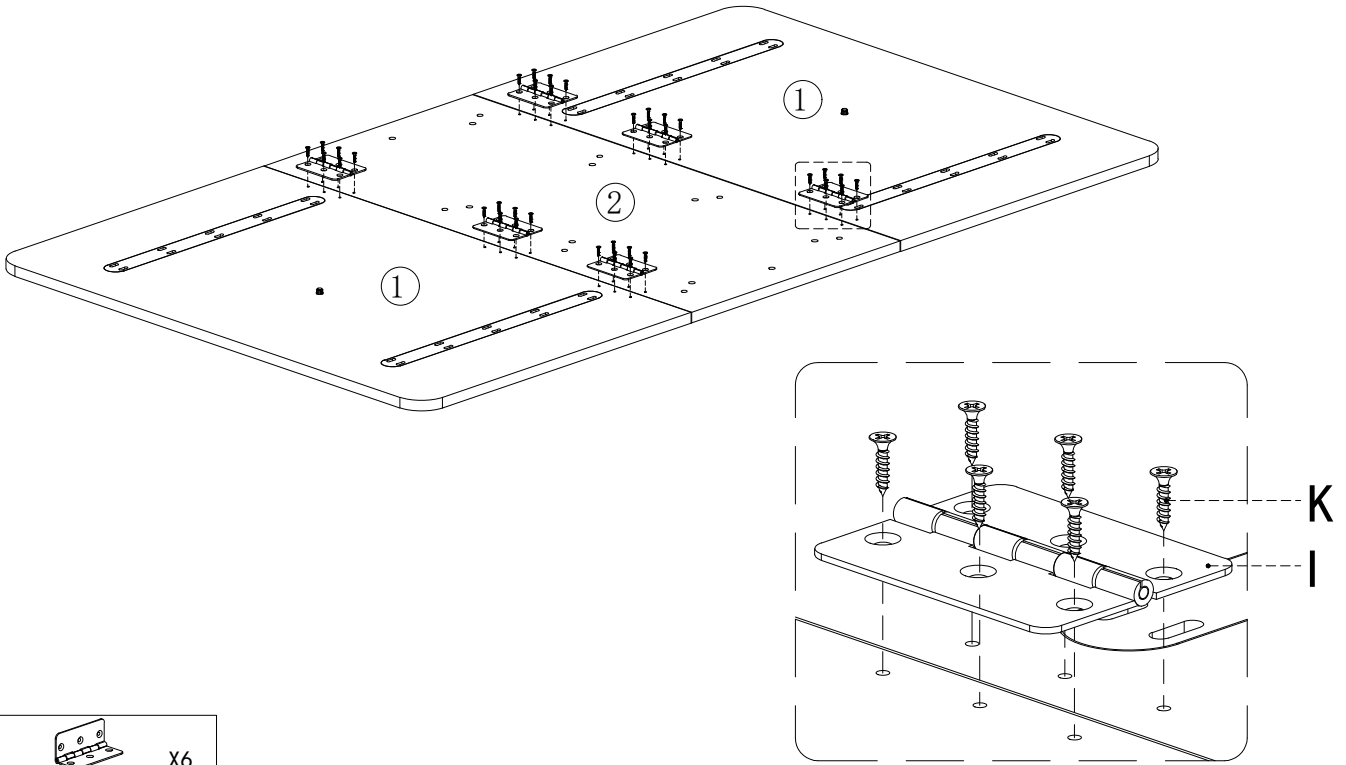
C		X6
D		X8
G		X8
H		X8
R		X1

Step6



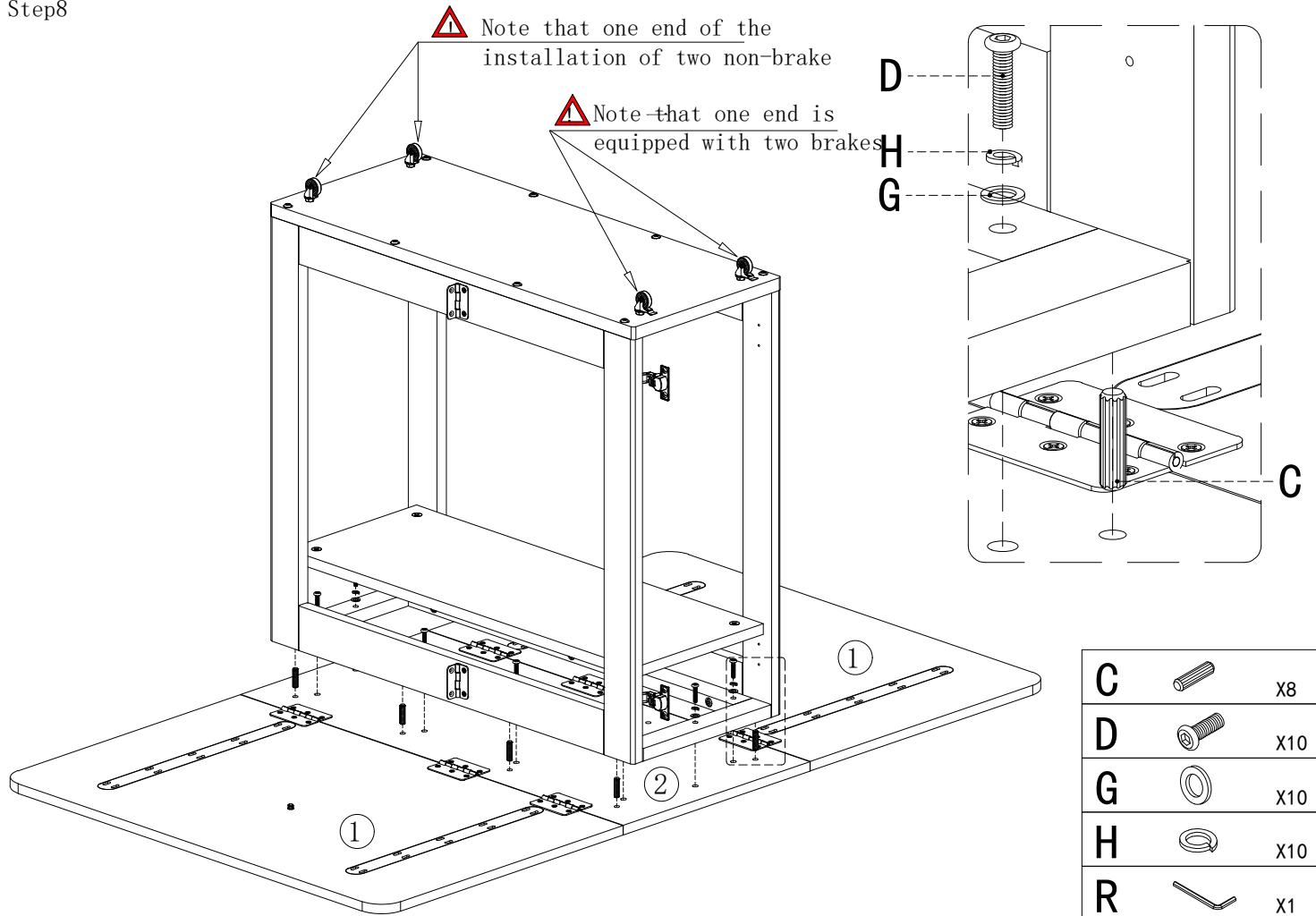
N		X2
O		X2
Q		X1

Step7



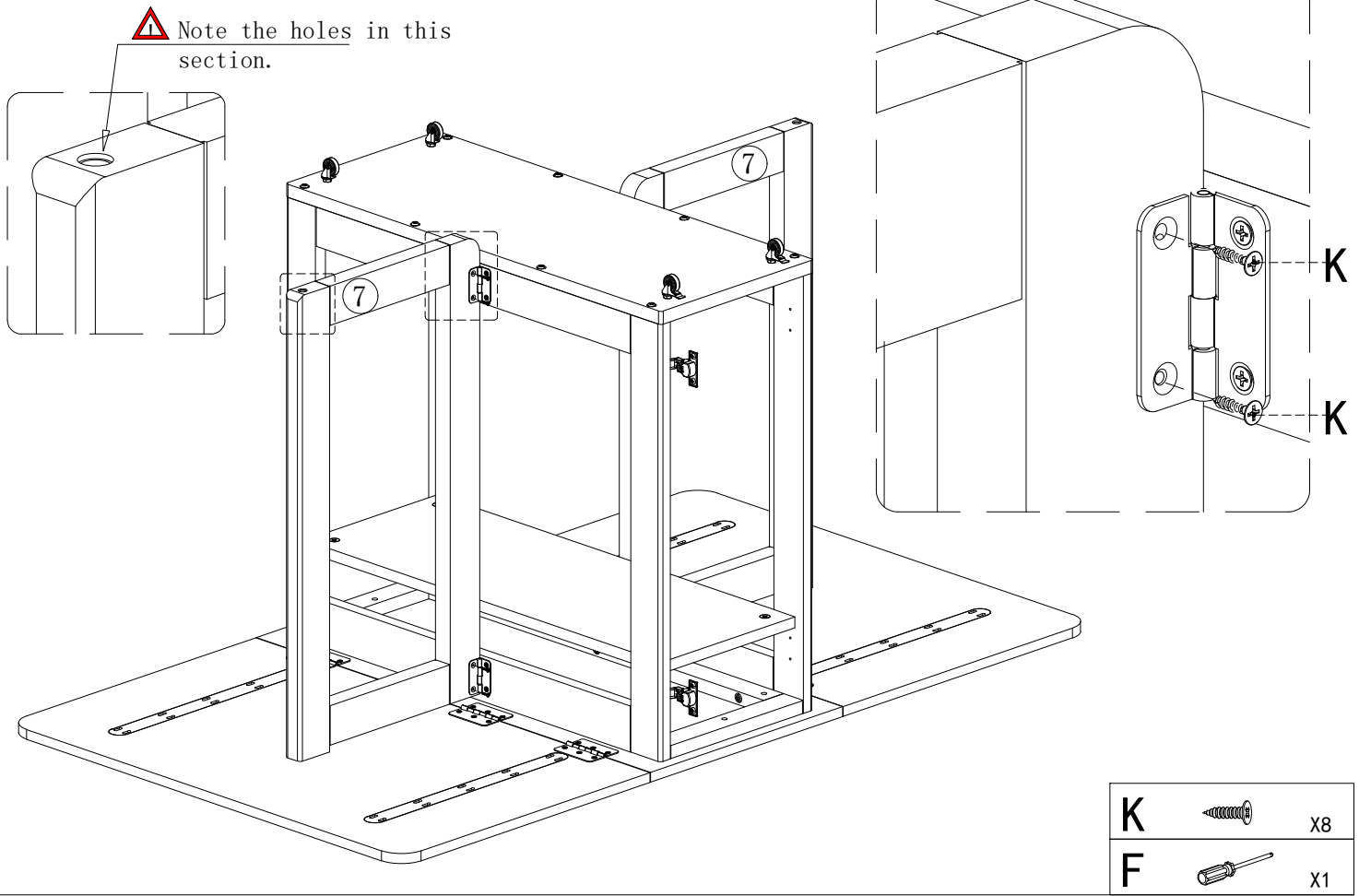
I		X6
K		X36
F		X1

Step8

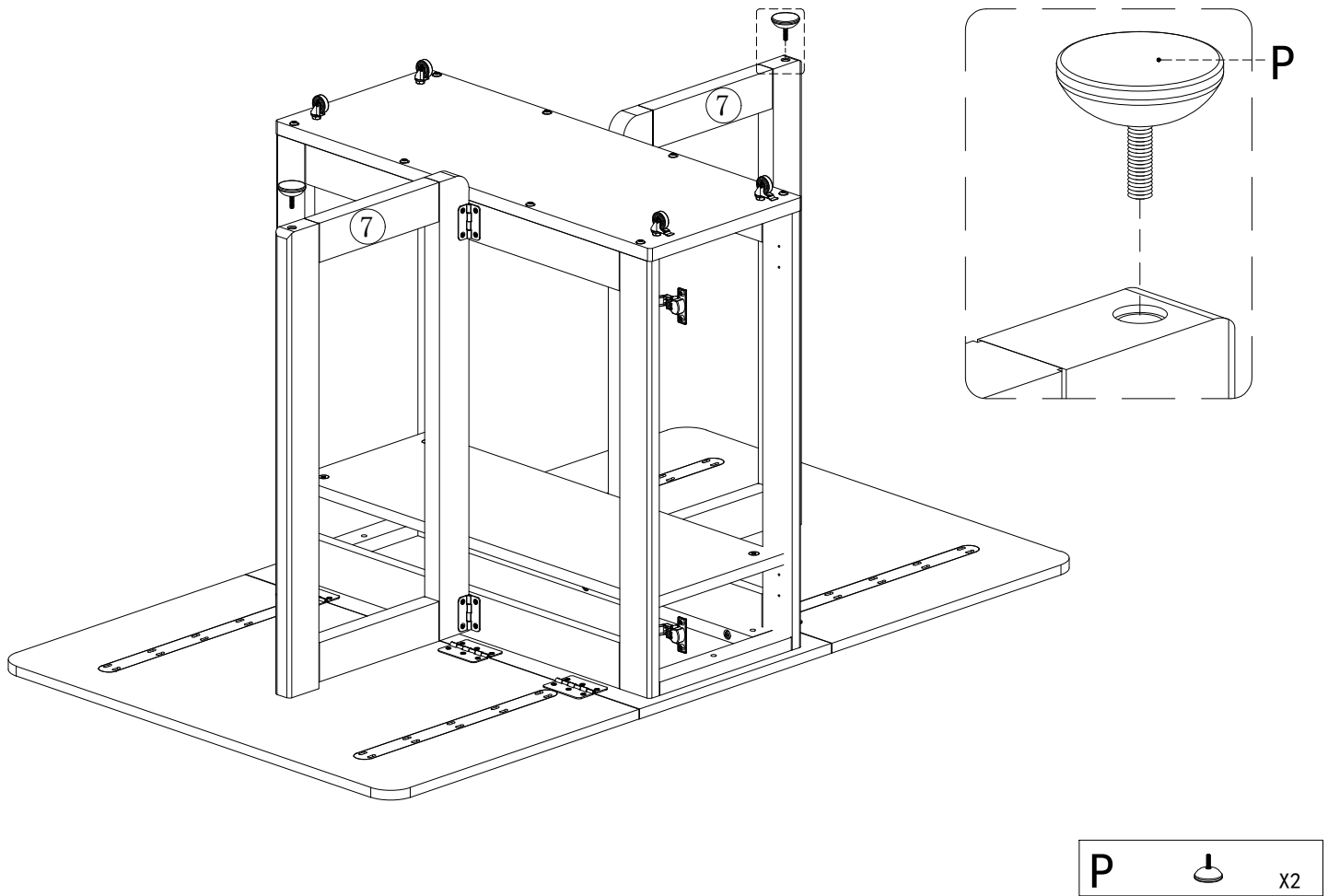


C		X8
D		X10
G		X10
H		X10
R		X1

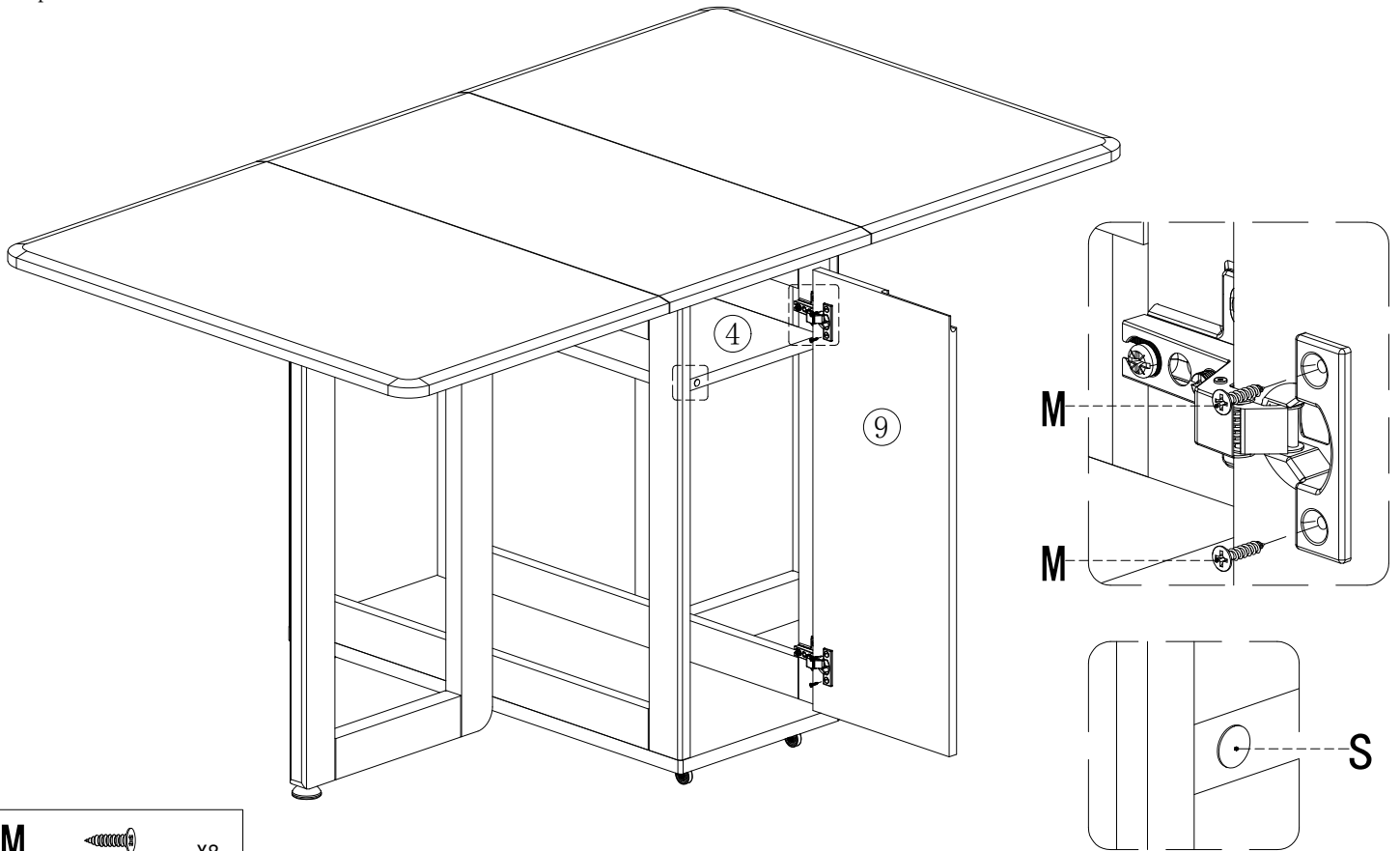
Step9


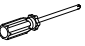



Step10

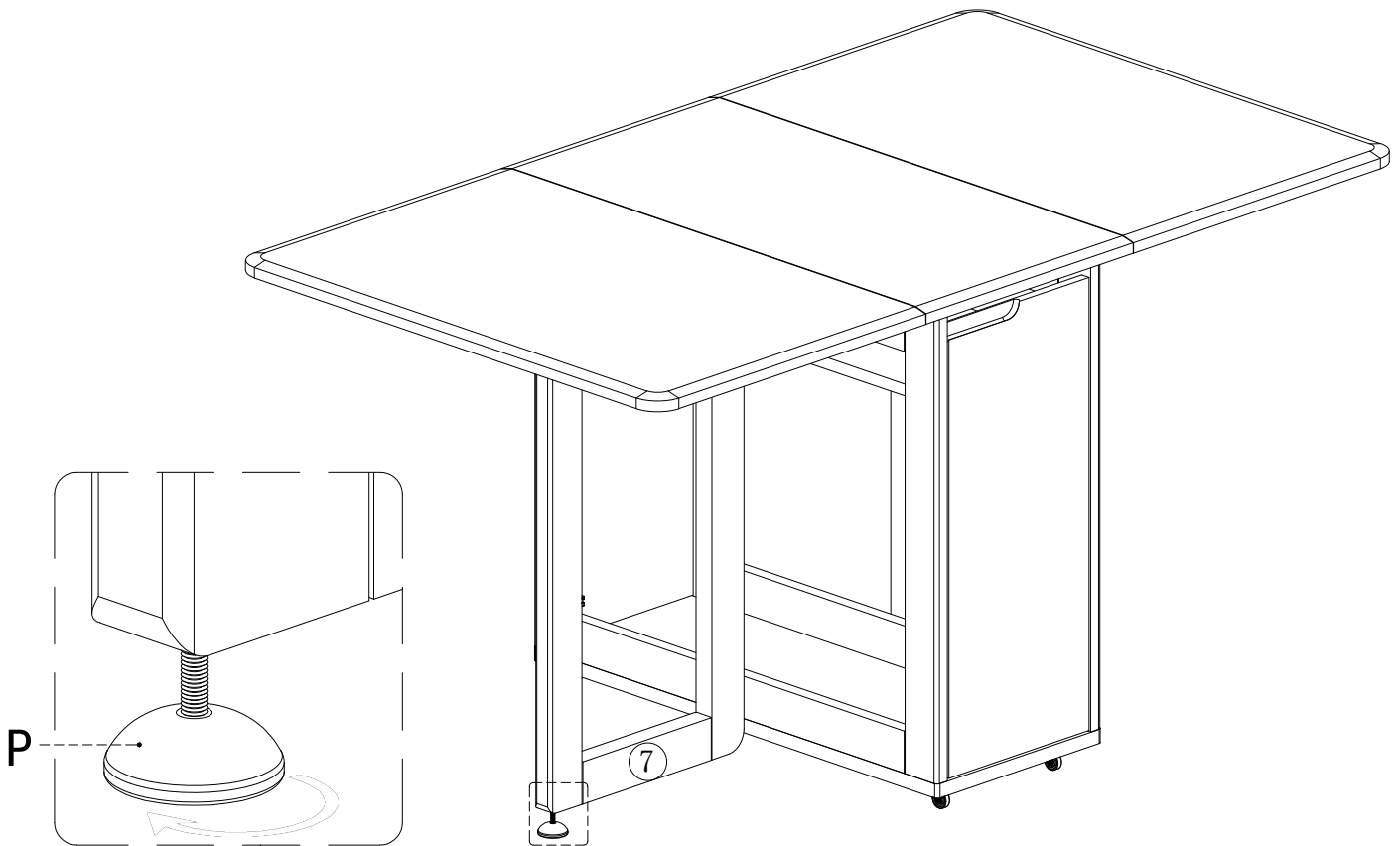


Step11



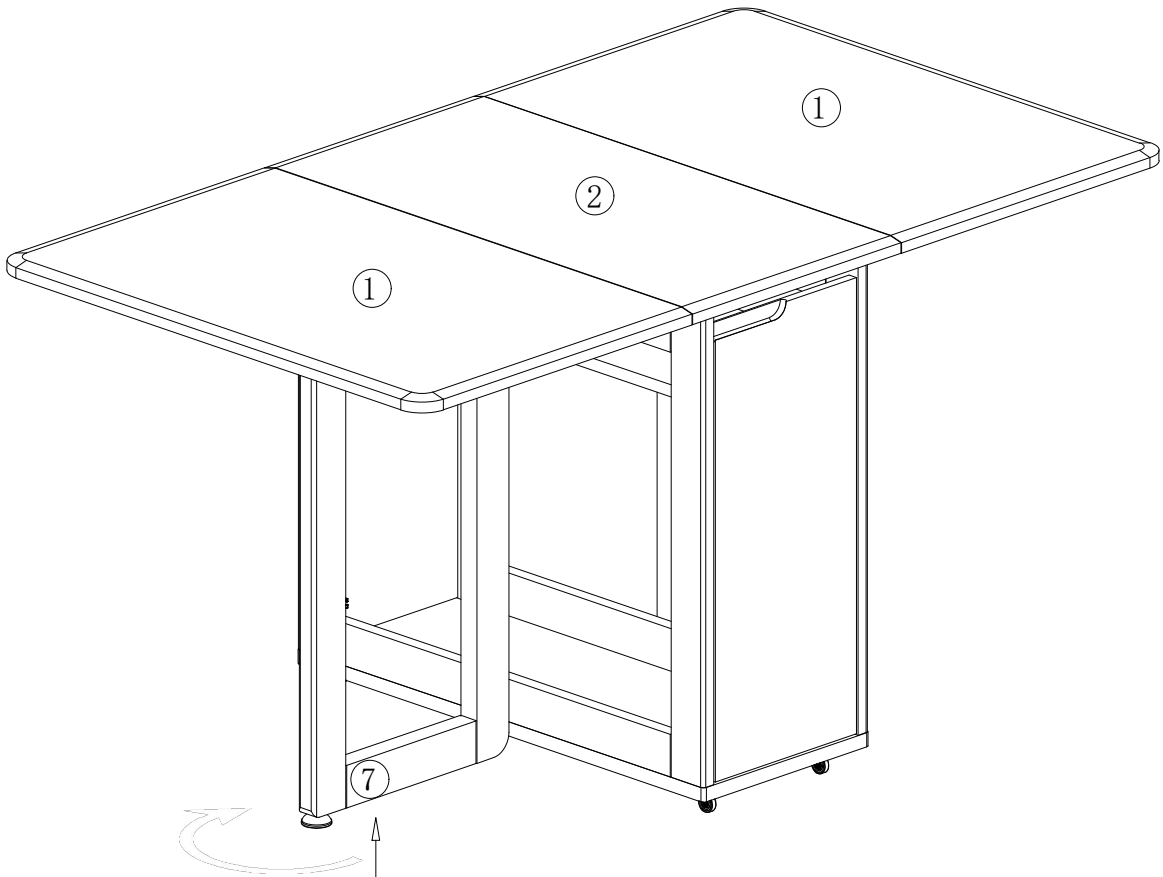
M		X8
F		X1
S		X2


Step12



 Adjust the height of the footrests to stabilize the table.

Step13



 Swivel the legs on both sides to support the top, or to lower the top.

