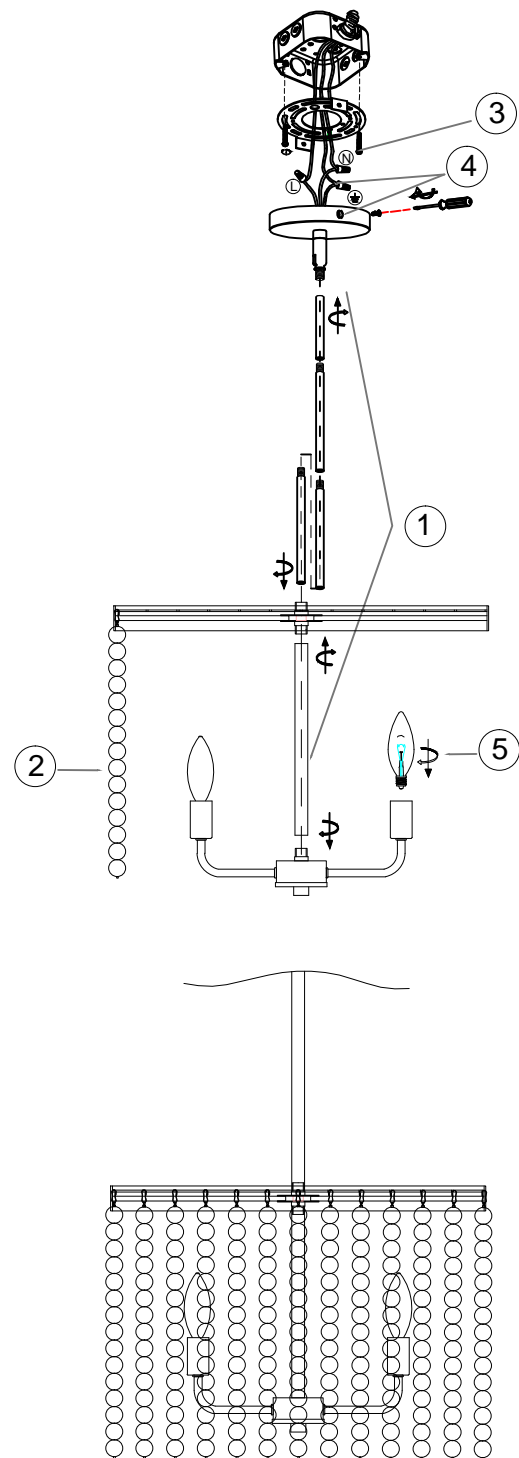
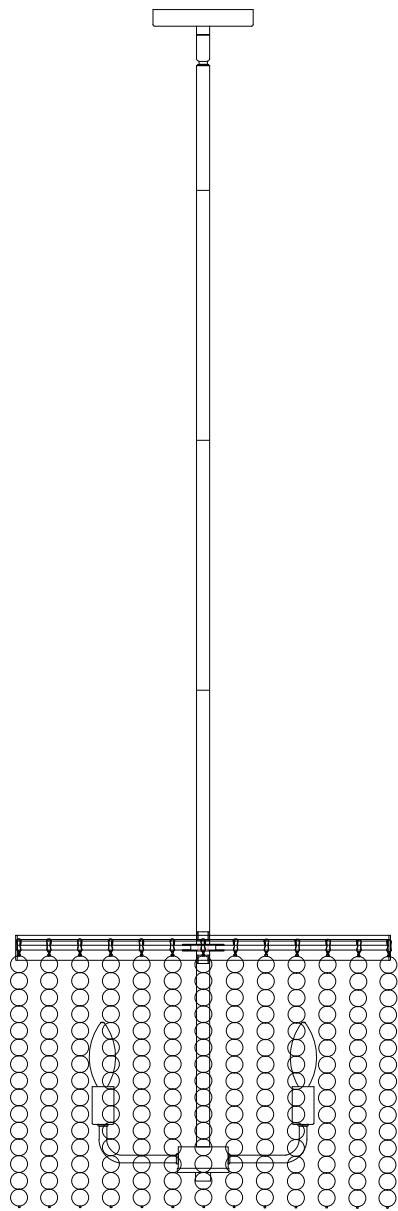


8207PL-04GD/BK-US



- 1 : Connect the boom to the lamp body and the ceiling disc
- 2 : Hang the crystal string on the upper and lower metal rings as shown in the figure.
- 3 : Screw on the terminal cap in the correct way
- 4 : Screw the mounting plate to the junction box
Then fix the screws on both sides of the set-top box on the hanging plate
- 5 : Install light bulb (E12 socket).