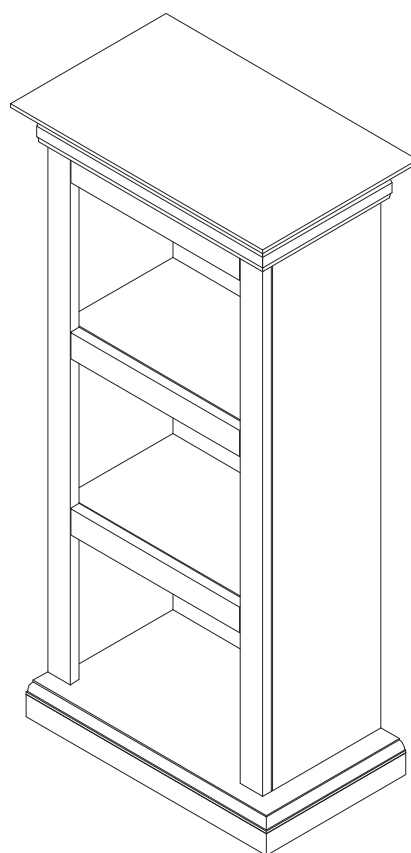
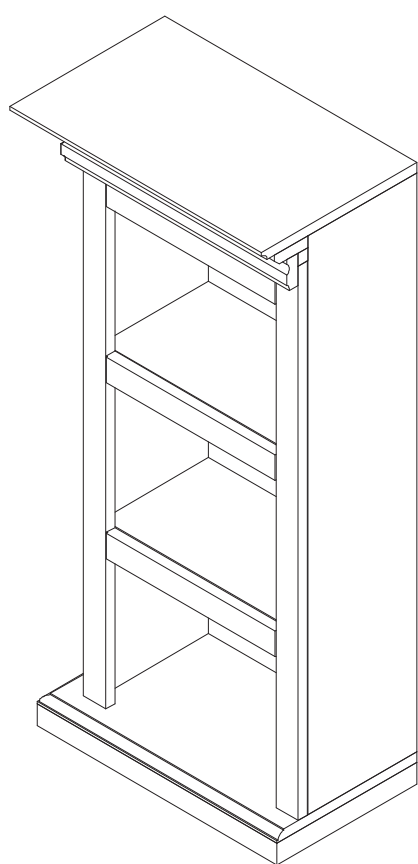




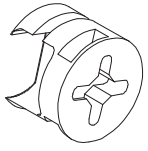
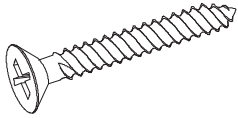
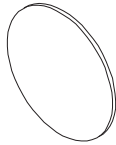
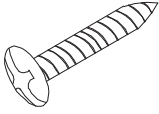
PAIR OF BOOKCASES
IVORY
ESPRESSO
PLANTATION OAK
CLASSIC MAHOGANY
GLAZED PINE
Assembly Instructions



PAIR OF BOOKCASES

Parts List

Please review all parts and hardware before disposing of any packaging. Call Customer Service if missing hardware. Do not return to store/retailer. Using a screw that is too long will cause damage. Before beginning assembly, separate each type of screw. Carefully study the screw diagrams below . You may receive extra hardware with your unit.

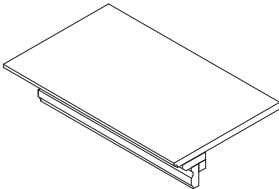
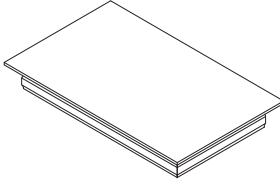
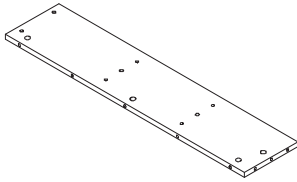
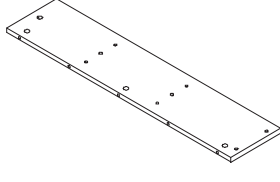
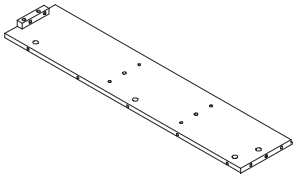
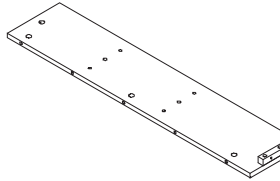
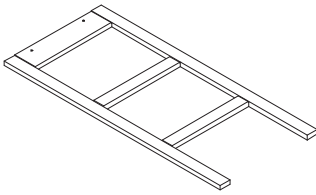
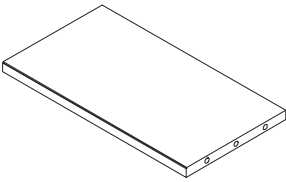
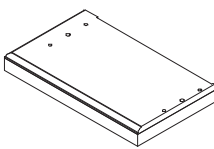
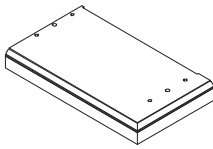
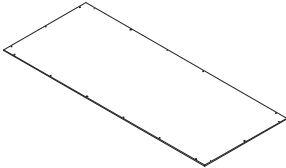
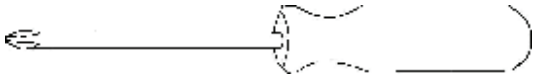
A  Quantity of 24 CAM BOLT	B  Quantity of 32 WOOD DOWEL
C  Quantity of 24 CAM LOCK	D  Quantity of 12 FLAT HEAD LONG SCREW
E  Quantity of 16 COVER	F  Quantity of 36 WOOD SCREW

PAIR OF BOOKCASES

Parts List

Please review all parts and hardware before disposing of any packaging. Call Customer Service if missing hardware. Do not return to store/retailer. Using a screw that is too long will cause damage.

Before beginning assembly, separate each type of screw. Carefully study the screw diagrams below . You may receive extra hardware with your unit.

<p>(1)</p>  <p>Quantity of 1</p> <p>LEFT BOOKCASE TOP</p>	<p>(2)</p>  <p>Quantity of 1</p> <p>RIGHT BOOKCASE TOP</p>	
<p>(3)</p>  <p>Quantity of 1</p> <p>LEFT SIDE OF LEFT BOOKCASE</p>	<p>(4)</p>  <p>Quantity of 1</p> <p>RIGHT SIDE OF RIGHT BOOKCASE</p>	
<p>(5)</p>  <p>Quantity of 1</p> <p>LEFT SIDE OF RIGHT BOOKCASE</p>	<p>(6)</p>  <p>Quantity of 1</p> <p>RIGHT SIDE OF LEFT BOOKCASE</p>	
<p>(7)</p>  <p>Quantity of 2</p> <p>FRONT FRAME</p>	<p>(8)</p>  <p>Quantity of 4</p> <p>FIXED SHELF</p>	
<p>(9)</p>  <p>Quantity of 1</p> <p>LEFT BOOKCASE BASE</p>	<p>(10)</p>  <p>Quantity of 1</p> <p>RIGHT BOOKCASE BASE</p>	
<p>(11)</p>  <p>Quantity of 2</p> <p>BACK PANEL</p>		
<p>Care and Cleaning Instructions: Before using, wipe with a clean, dry cloth. Periodically apply furniture wax to renew the finish . Avoid rubbing or scratching the surface with rough or abrasive objects.</p>		
<p>Assembly Tool Required No.2 Phillips Screwdriver (Not Included)</p>		

PAIR OF BOOKCASES Assembly Instructions

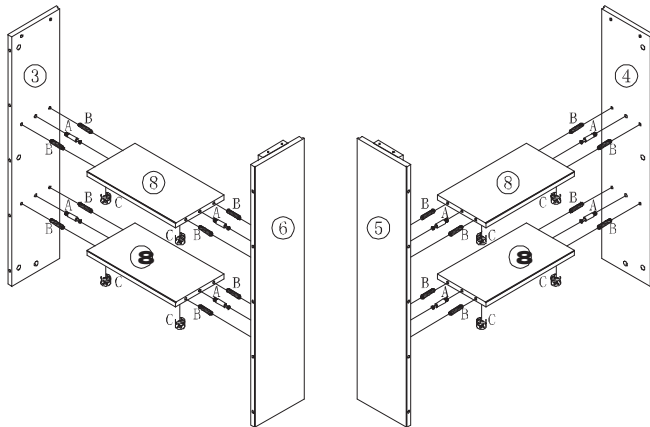


Figure 1

USE GLUE (F) TO FILL 1/4 CORRESPONDING HOLES OF LEFT/RIGHT SIDES OF BOOKCASES (3,4,5,6), INSERT 8PCS CAM-BOLTS (A), 16PCS WOOD DOWELS (B) INTO PREDRILLED HOLES ON INSIDES OF LEFT AND RIGHT SIDES OF BOOKCASES (3,4,5,6) AND FIT INTO CORRESPONDING HOLES ON ENDS OF FIXED SHELVES (8). INSERT 8PCS CAM-LOCKS (1) INTO BIG HOLES ON UNDERSIDE OF FIXED SHELVES (8) WITH SLOT FOR SCREWDRIVER FACING OUTWARD. ROTATE CAM-LOCKS (C) CLOCKWISE TO SECURE CAM-BOLTS (A). PUSH COVERS (E) INTO CAM-LOCKS (C). AS FIGURE 1 SHOWN.

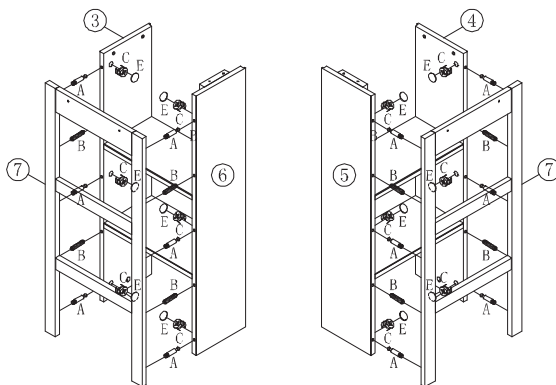


Figure 2

INSERT 12PCS CAM-BOLTS (A), 8PCS WOOD DOWELS (B) INTO PREDRILLED HOLES ON BACK OF FRONT FRAMES (7) AND FIT INTO CORRESPONDING HOLES ON FRONT EDGES OF LEFT AND RIGHT SIDES OF BOOKCASES (3.4.5.6). INSERT 12PCS CAM-LOCKS (C) INTO BIG HOLES ON INSIDES OF LEFT AND RIGHT SIDES OF BOOKCASES (3.4.5.6) WITH SLOT FOR SCREWDRIVER FACING OUTWARD. ROTATE CAM-LOCKS (C) CLOCKWISE TO SECURE CAM-BOLTS (A). PUSH COVERS (E) INTO CAM-LOCKS (C). AS FIGURE 2 SHOWN.

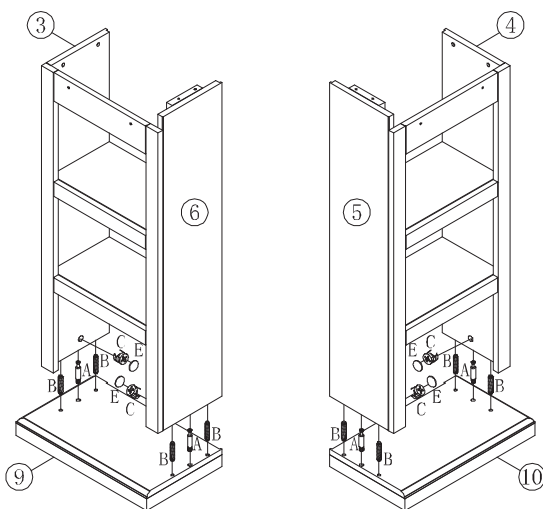


Figure 3

INSERT 4PCS CAM-BOLTS (A), 8PCS WOOD DOWELS (B) INTO PREDRILLED HOLES ON UPSIDE OF LEFT AND RIGHT BASES (9&10) AND FIT INTO CORRESPONDING HOLES ON BOTTOM EDGES OF LEFT AND RIGHT SIDES OF BOOKCASES (3,4,5,6). INSERT 4PCS CAM-LOCKS (C) INTO BIG HOLES ON INSIDES OF LEFT AND RIGHT SIDES OF BOOKCASE (3, 4, 5, 6) WITH SLOT FOR SCREWDRIVER FACING OUTWARD. ROTATE CAM-LOCKS (C) CLOCKWISE TO SECURE CAM-BOLTS (A). PUSH COVERS (E) INTO CAM-LOCKS (C). AS FIGURE 3 SHOWN.

PAIR OF BOOKCASES Assembly Instructions

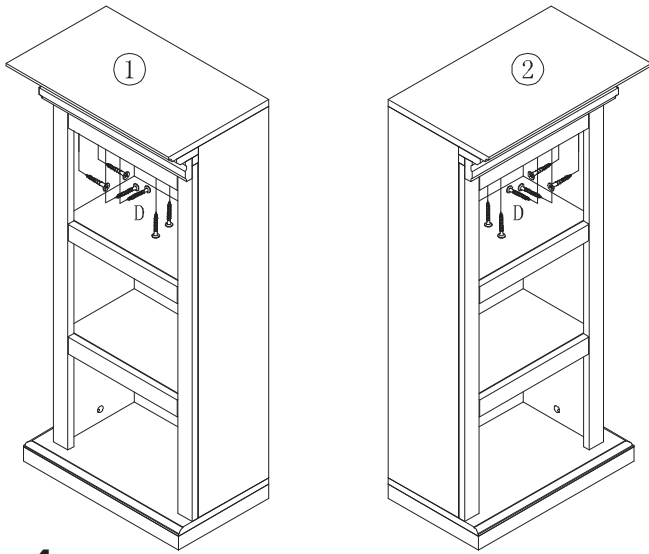


Figure 4

PLACE THE BOOKCASE TOPS (1,2) ONTO TOP EDGES OF LEFT AND RIGHT SIDES OF BOOKCASES (3,4,5,6). INSERT 12PCS FLAT HEAD LONG SCREWS (D) THROUGH PREDRILLED HOLES ON PARTS (3, 4, 5, 6) AND TIGHTEN INTO CORRESPONDING HOLES ON UNDERSIDE OF BOOKCASE TOPS (1.2). AS FIGURE 4 SHOWN.

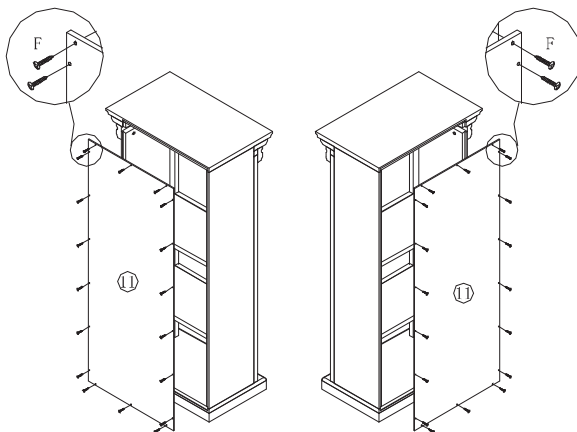


Figure 5

ATTACH THE BACK PANELS (11) ONTO THE UNITS BY USING 36PCS WOOD SCREWS (G) AS FIGURE 5 SHOWN.

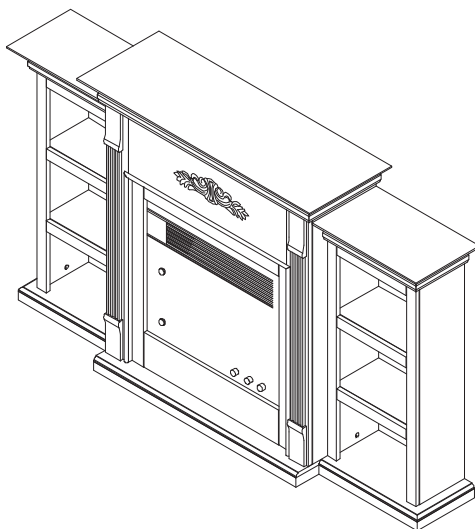


Figure 6

PLACE THE TERRI BOOKCASES BESIDE THE TERRI FIREPLACE.