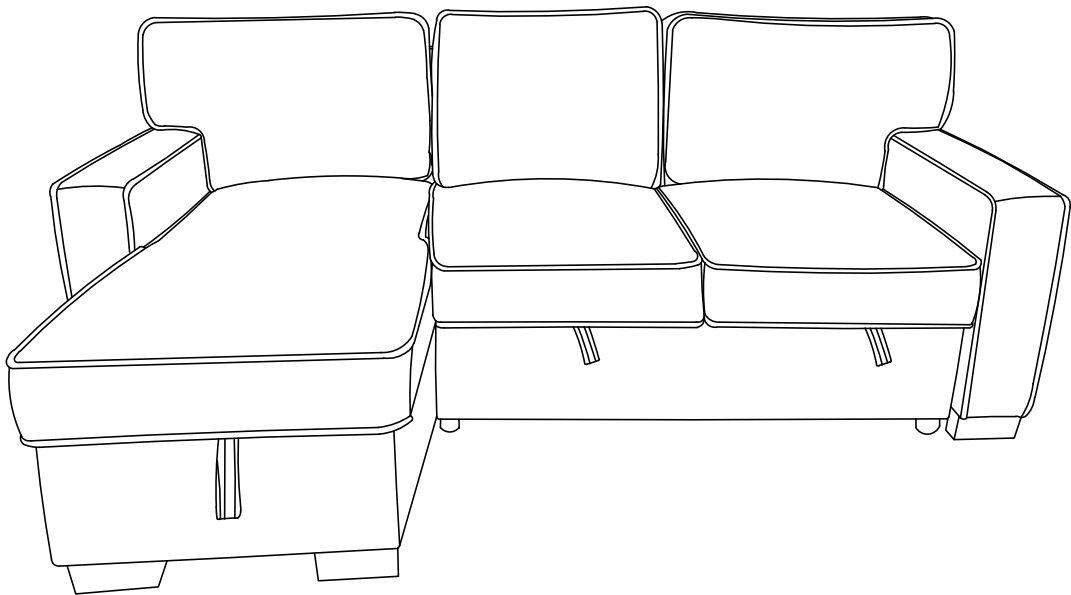





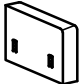

# Assembly Instructions

**IMPORTANT: PLACE ALL PARTS ON A CLEAN AND SMOOTH SURFACE SUCH AS A RUG OR CARPET TO AVOID THE PARTS FROM BEING SCRATCHED. PLEASE FOLLOW THE ASSEMBLY INSTRUCTIONS STEP BY STEP. DO NOT TIGHTEN ALL SCREWS UNTIL IT IS FULLY ASSEMBLED.**

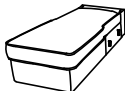

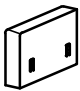


# ASSEMBLY INSTRUCTIONS

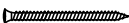

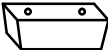
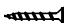

## PARTS LIST

PART	DRAWING	DESCRIPTION	QTY	PART	DRAWING	DESCRIPTION	QTY
A		Love seat	1	C		RAF Back Cushion	1
B		Backrest	1	D		RIGHT Arm	1
E		Backrest	2				

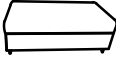




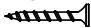




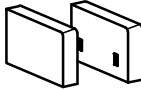
## PARTS LIST

PART	DRAWING	DESCRIPTION	QTY	PART	DRAWING	DESCRIPTION	QTY
F		Chaise	1	H		LAF Back Cushion	1
				I		LEFT Arm	1

## HARDWARE LIST

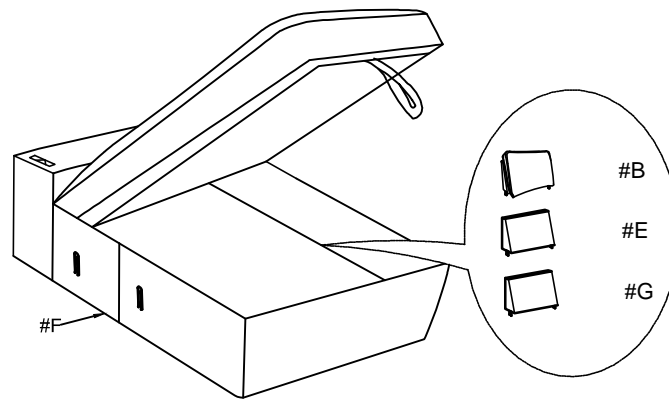
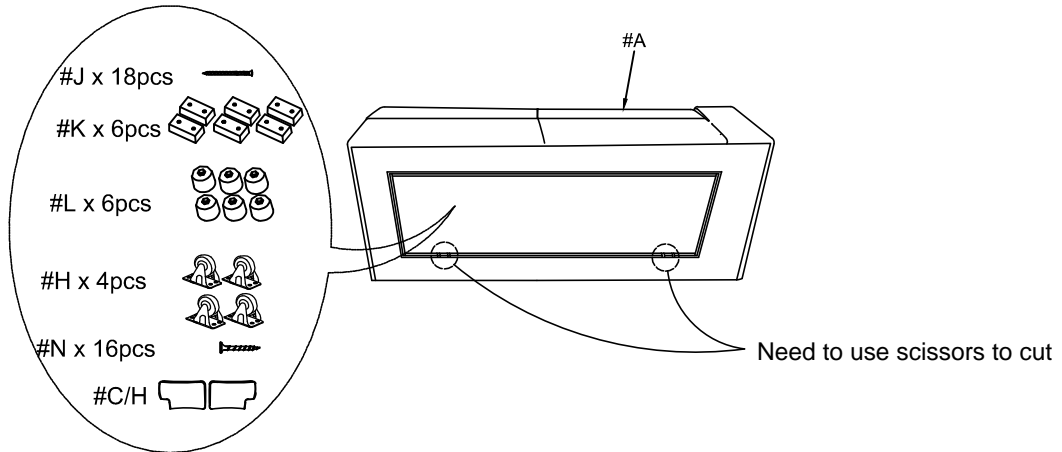
PART	DRAWING	DESCRIPTION	QTY	PART	DRAWING	DESCRIPTION	QTY
J		Screw M8 x 55mm	18	M		Roller	4
K		Legs	6	N		Screw #8 x 25mm	16
L		Legs	6				

packed in 3 cases

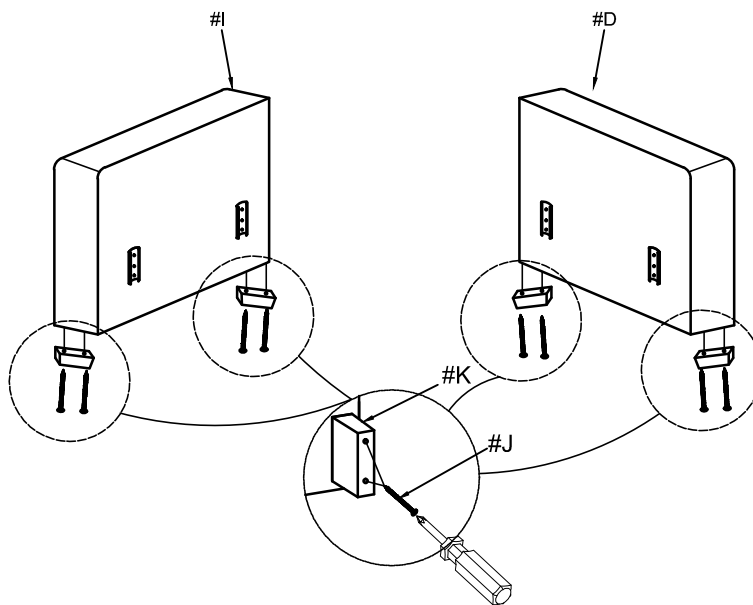
Carton	Disignation	Part	Hardware
	Love seat	#A 	 #Jx18pcs  #Kx6pcs  #Lx6pcs  #Mx4pcs  #Nx16pcs
	Cushion (L&R)	#C/H 	
	Chaise	#F 	
	Backrest	#B 	
	Backrest	#E 	
	Arm (L&R)	#D/I 	

# ASSEMBLY INSTRUCTIONS

THE PARTS ARE LOCATED INSIDE THE BOX AS BELOW:

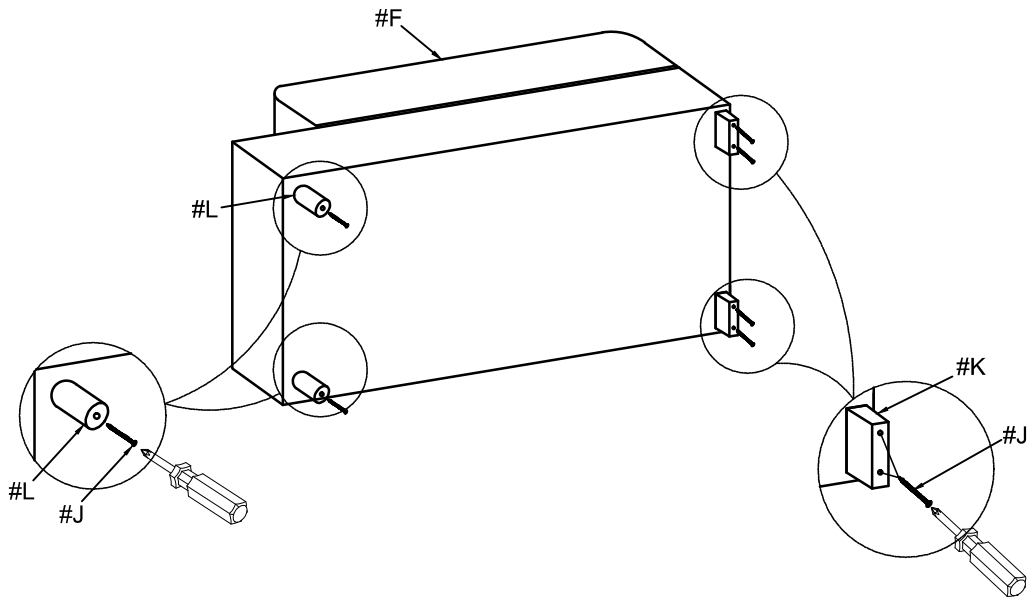


STEP 1

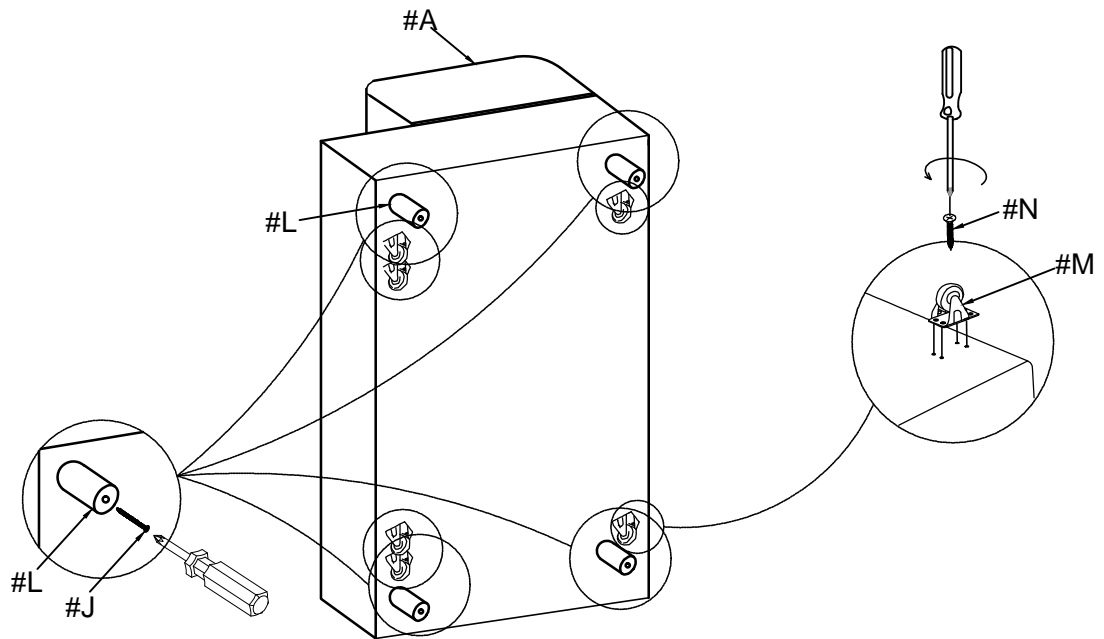


# ASSEMBLY INSTRUCTIONS

## STEP 2

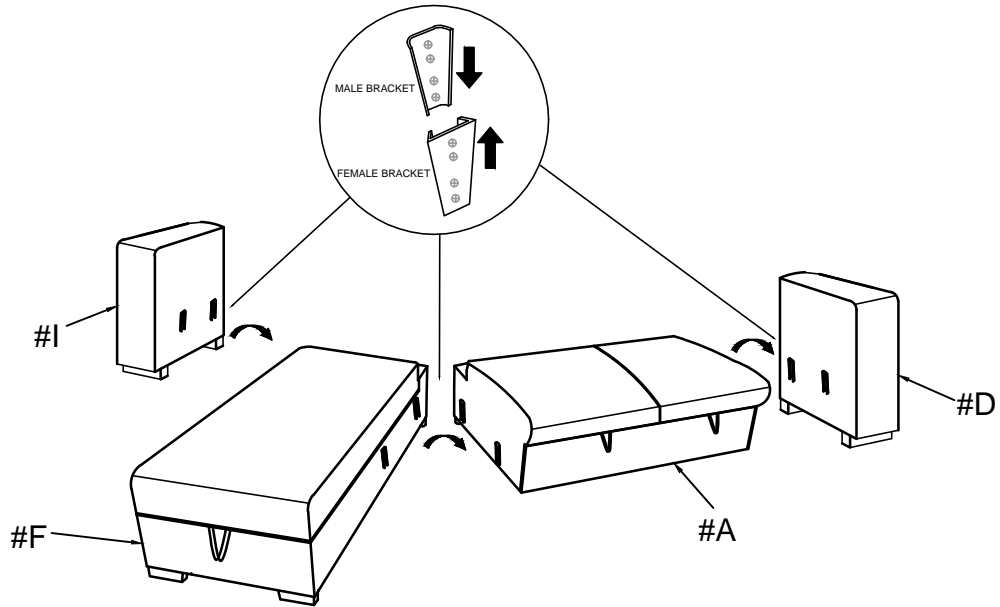


## STEP 3

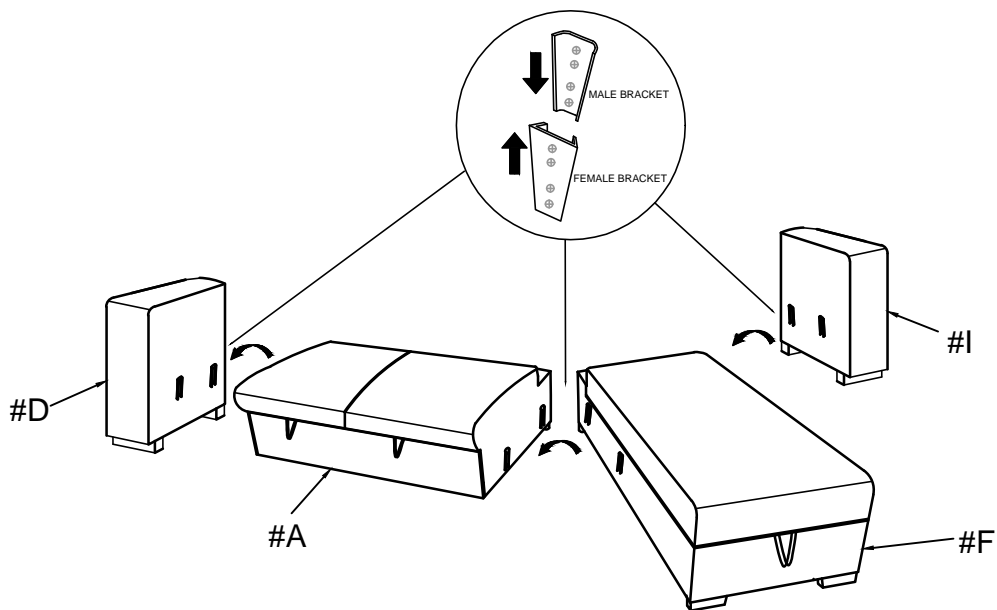


# ASSEMBLY INSTRUCTIONS

## STEP 4

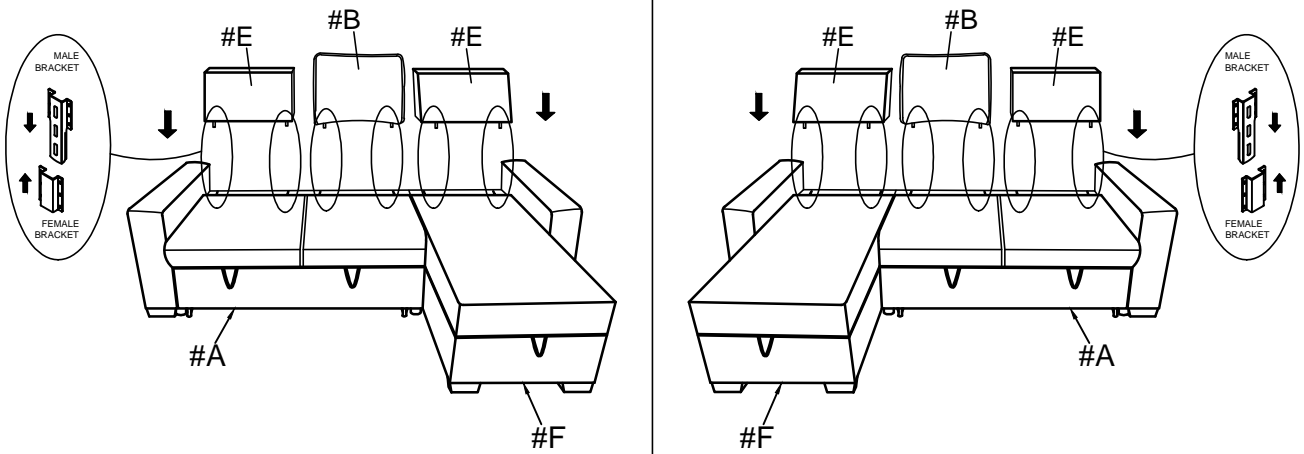


## STEP 5

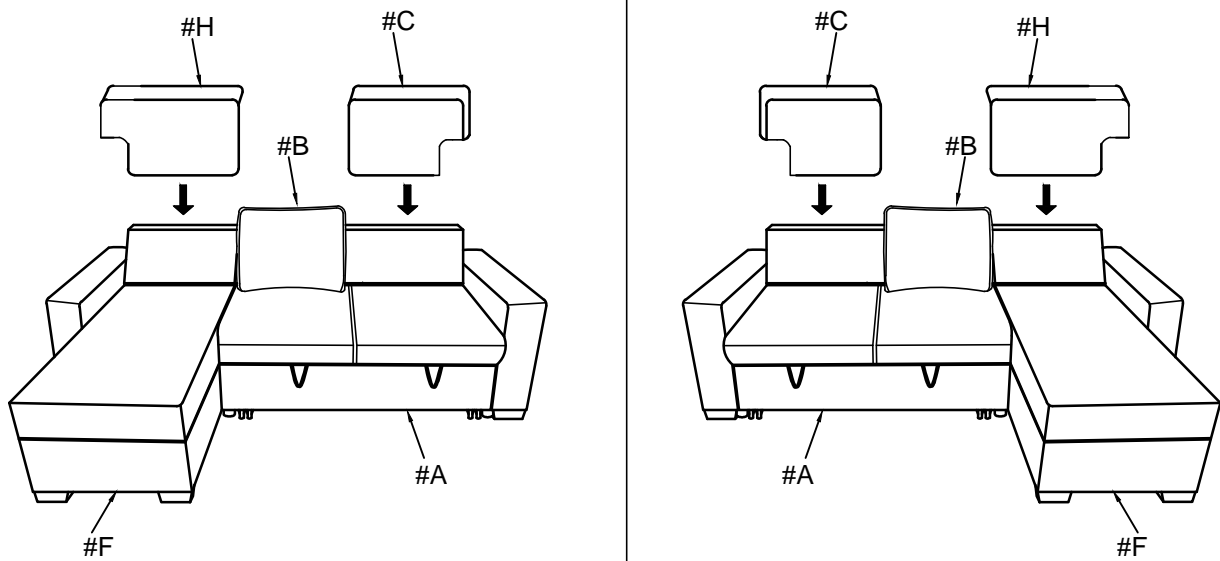


# ASSEMBLY INSTRUCTIONS

## STEP 6

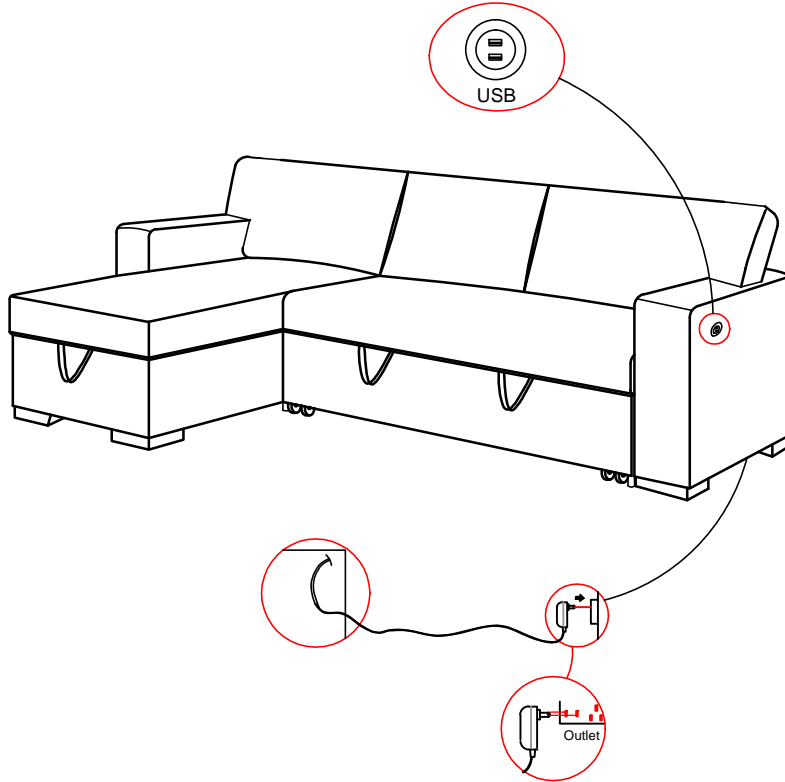


## STEP 7

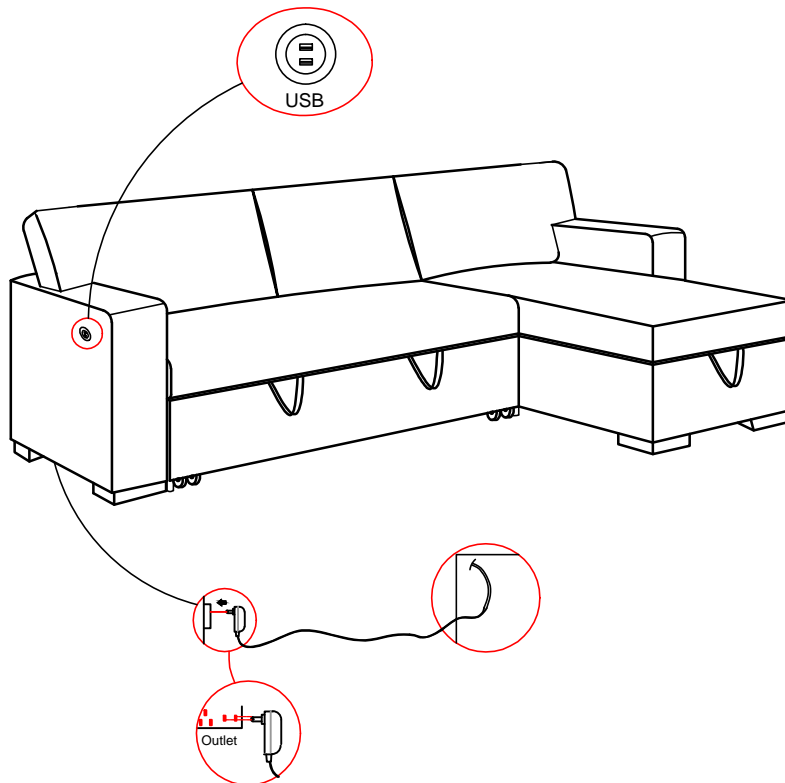


# ASSEMBLY INSTRUCTIONS

STEP 8

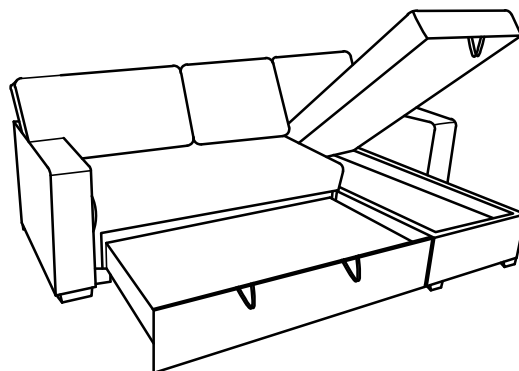
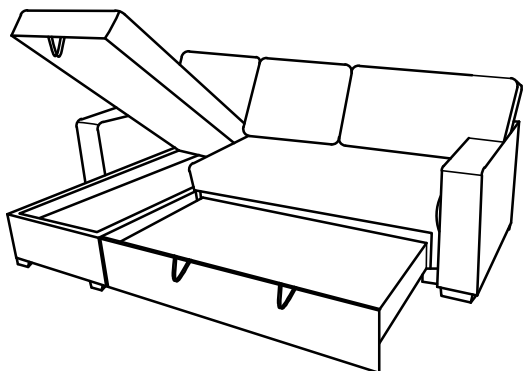


STEP 9



# ASSEMBLY INSTRUCTIONS

STEP 10



STEP 11

