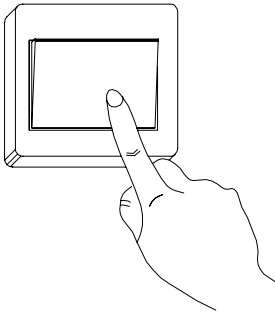


# Installation Instruction

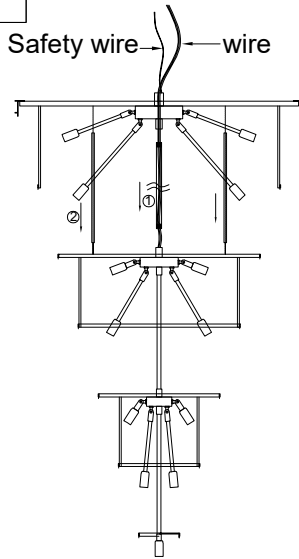
D36"H72" L40"E12

1



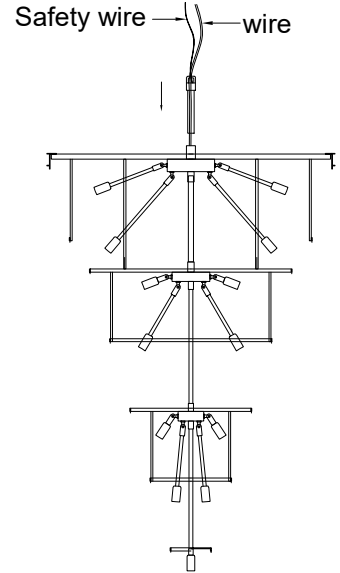
Turn off the power.

2



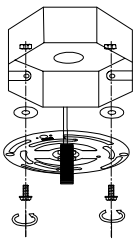
Lock the bottom frame and the top frame together with the metal rod. At the same time, pass through the wire and lock the small metal rod.

3



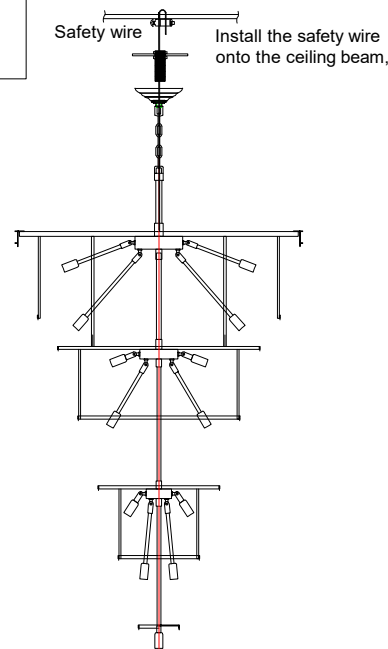
Lock the metal rod on the lamp body.

4



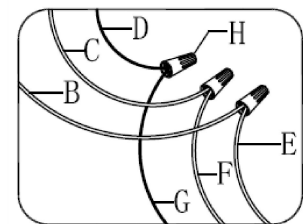
Install mounting bracket.

5



Attach the Canopy to the Mounting Plate, Secure it with Collar Loop and twist the Collar Ring off.

6



Wire connection

- B-Black wire (L) from junction box
- C-White wire (N) from junction box
- D-Green wire/bare copper (G) from junction box
- E-Black wire (L) from fixture
- F-White wire (N) from fixture
- G-Green wire/Bare copper from fixture
- H-wire connector x 3

Connect wires.

## Warning:

1. Please wear gloves during the installation.
2. Do not install on ceiling which is damp or with wet limewater.
3. Cut off the electricity before installation in case of being shocked.
4. Make sure the connected bolt is tightly locked before getting through the electricity.

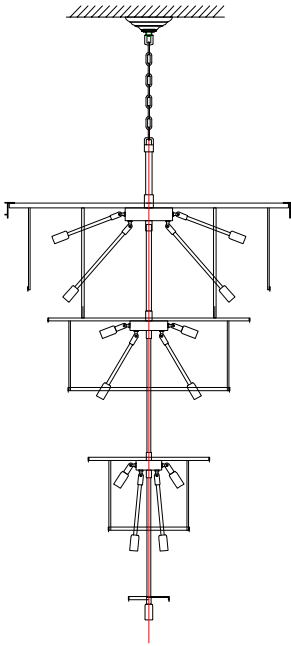


5. Do not cut off the electricity before washing or repairing, and use the scour without causticity.
6. Please cut off the electricity and wait until the bulb gets cooling before replacing the bulb in case of being burned.

# Installation Instruction

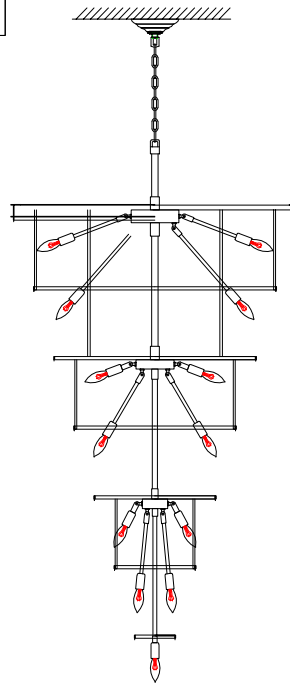
D36"H72" L40"E12

7



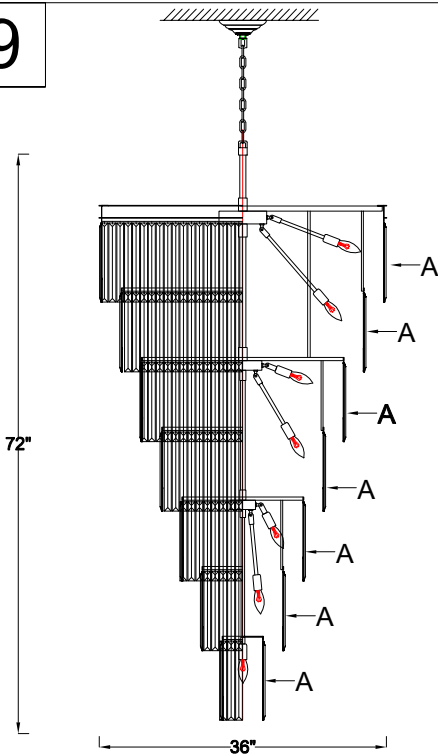
Push the canopy up and Secure it with Collar Ring.

8

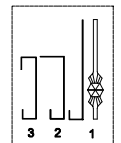
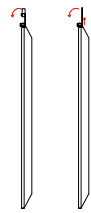


Install bulbs.

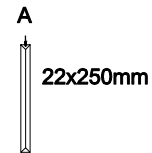
9



Links bend over and downward by hand when attaching crystals to frame.



Crystal Equipped



448PCS

Please test the power first to ensure that the light source works normally, then cut off the power, and then do the necessary installation works (such as hanging glasses or crystals).

**Warning:**

1. Please wear gloves during the installation.
2. Do not install on ceiling which is damp or with wet limewater.
3. Cut off the electricity before installation in case of being shocked.
4. Make sure the connected bolt is tightly locked before getting through the electricity.



5. Do not cut off the electricity before washing or repairing, and use the scour without causticity.
6. Please cut off the electricity and wait until the bulb gets cooling before replacing the bulb in case of being burned.