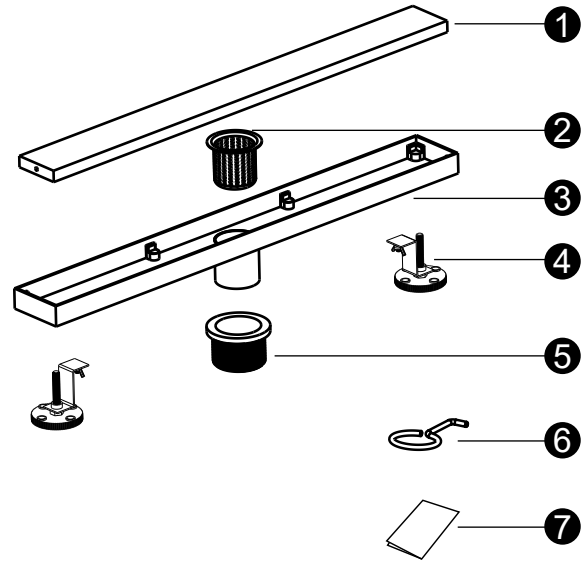


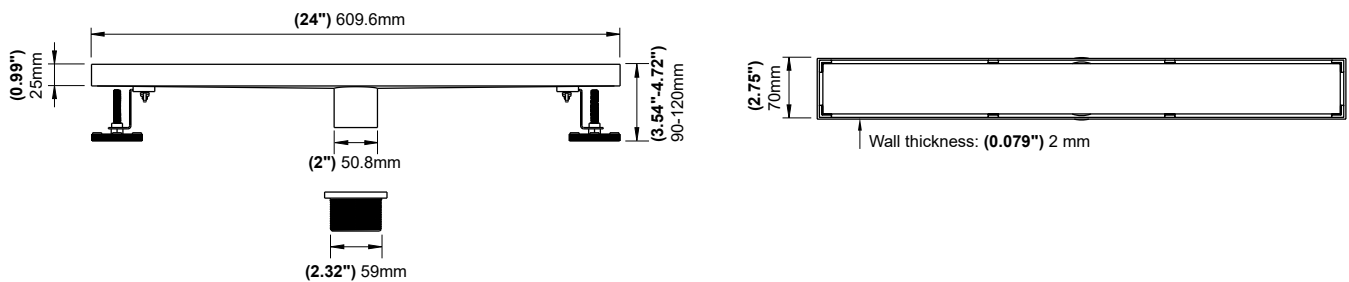
INSTALLATION INSTRUCTIONS

Parts List

NO	NAME	QTY
①	Floor Drain cover	1
②	Filter Basket	1
③	Floor Drain Base	1
④	Adjustment Seat	2
⑤	Plastic Adapter	1
⑥	Lifting Hook	1
⑦	Instruction	1



Floor Drain Dimensions



Precautions Before Installation

To ensure smooth drainage, the floor drain must be installed at the lowest point of the fully finished floor.

Check the drain pipe: Before installing the floor drain, it is necessary to check that the drain pipe is unobstructed. The drain opening must be protected before placing the floor drain to prevent the pipe from being clogged by foreign objects.

Installation Steps

1. Before installation, determine the size of the installation pit according to the floor drain dimensions. After marking the horizontal position, use a small hammer and a chisel to dig the pit.

2. After cleaning up the cement debris thoroughly, apply cement putty to the surrounding walls of the pit.

3. Remove the floor drain cover and filter basket first, then hang the adjustment seat on both sides of the floor drain base and fix it securely. Connect the plastic adapter to the floor drain base and place the assembly into the pre-preserved drain pipe opening, ensuring a tight, leak-proof connection between the floor drain base and the drain pipe. Rotate the adjustment seat as needed to level it, then fit the filter basket and floor drain cover in sequence. Fill the surrounding gaps with cement, scrape off any excess cement putty, and the installation is complete.

4. After installation is completed, check the levelness of the floor drain to ensure it is perfectly level, allowing water to drain away smoothly.

If the floor drain is not level, its levelness can be adjusted by altering the height of the adjustment seat.

After the adjustment is completed, check the levelness and drainage performance of the floor drain again to ensure the installation quality meets the requirements.

