

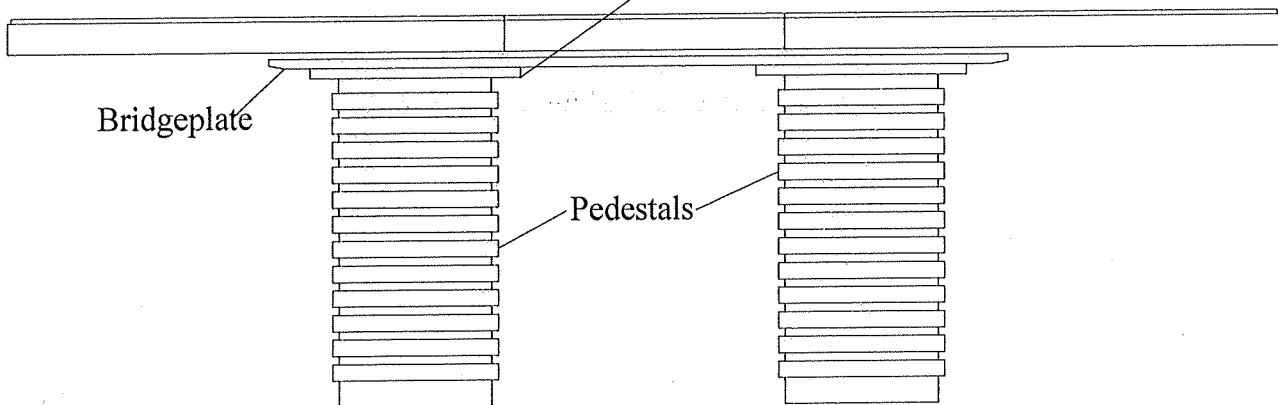
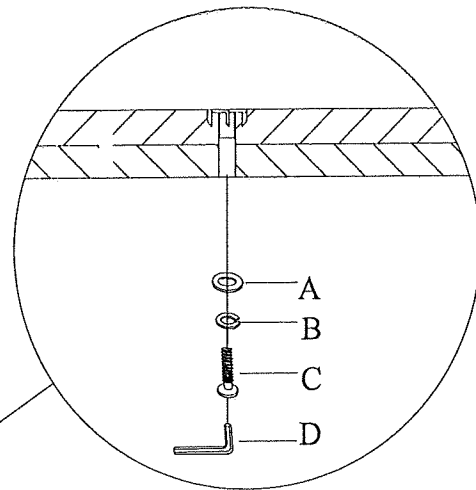
# LEXINGTON

HOME BRANDS

## ASSEMBLY INSTRUCTIONS

### 536-876C Double Pedestal Dining Table

01-0536-876C		
PART	DESCRIPTION	QTY
A	Flat Washer	8
B	Lock Washer	8
C	1/4" Diam. Bolt	8
D	Allen Wrench	1



1. Place table top upside-down on non-marring surface.
2. Place one Pedestal on one end of Bridgeplate so that holes in Pedestal align with holes in Brideplate.
3. Use Allen Wrench (D) to attach Pedestal to Bridgeplate with (4) Flat Washers (A), (4) Lock Washers (B), and (4) Bolts (C). Securely tighten bolts.
4. Repeat steps 2 and 3 for other Pedestal on other end of Bridgeplate.
5. Return assembled table to its upright position and place in desired location.

For additional consumer assistance please contact your Lexington dealer or call our Consumer Services Department at 1-336-474-5300, Monday-Friday, 8-5 Eastern