

# HEADBOARD

## ASSEMBLY INSTRUCTIONS

Before assembling your headboard, please read through these instructions carefully and familiarize yourself with the different parts.



### PARTS LIST

- 1 HEADBOARD PANEL 1 PC
- 2 LEFT LEG 1 PC
- 3 RIGHT LEG 1 PC

Instructions apply for bed sizes  
TWIN > FULL > QUEEN > KING

### HARDWARE

- A** Wooden dowel - 4 pcs  
Spare - 1 pc
- B** JCB M6 X 35mm (1 3/8") - 4 pcs  
Spare - 1 pc
- F** Allen wrench - 1 pc  
Spare - 1 pc

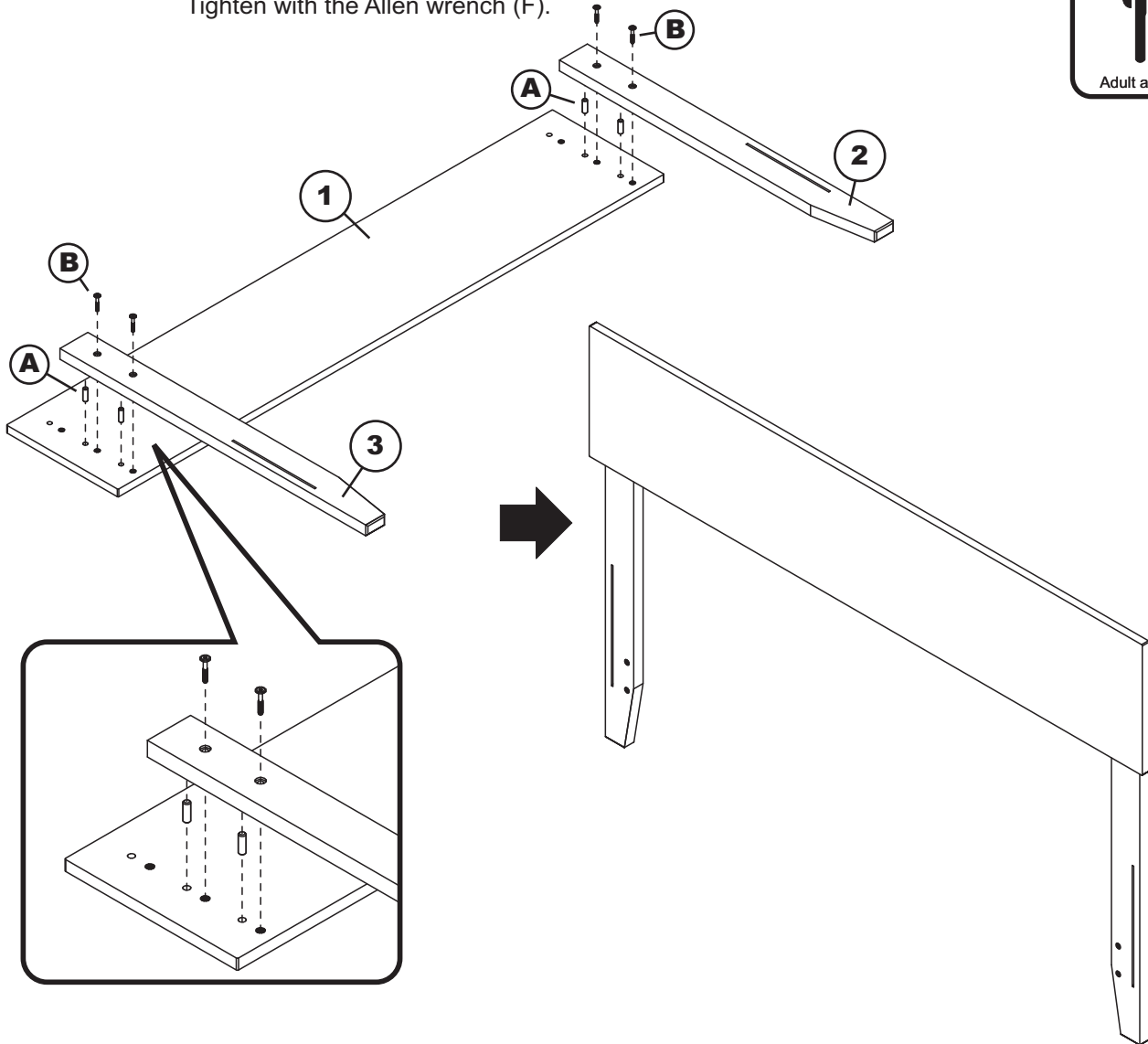
#### HARDWARE FOR METAL BED FRAME

- C** JCB M6 X 25mm (1") - 4 pcs  
Spare - 1 pc
- D** Flat washer - 4 pcs  
Spare - 1 pc
- E** Split washer - 4 pcs  
Spare - 1 pc

NOTE: WE INCLUDE SPARE HARDWARE IN CASE DAMAGE OCCURS DURING ASSEMBLY.

### Step 1

Attach the legs (2) and (3) to headboard panel (1), using wooden dowels (A) and JCB (B). Tighten with the Allen wrench (F).



If you purchased a wood headboard to attach to metal bed frame, please refer to page 2.

# BED FRAME

affurnishings.com

## ASSEMBLY INSTRUCTIONS

Before assembling your bed frame, please read through these instructions carefully and familiarize yourself with the different parts.



Instructions apply for all bed sizes  
Twin > Twin XL > Full > Queen > King

### PARTS LIST

### HARDWARE

- 1 END RAIL 1 PC
- 2 TALL LEG 2 PCS
- 3 SHORT LEG 2 PCS
- 4 SIDE RAIL 2 PCS

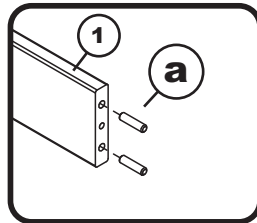
- a Wooden dowels - 4 pcs  
Spare - 1 pc
- b JCB M6 X 100mm (4") - 2 pcs  
Spare - 1 pc
- c Barrel nut - 2 pcs  
Spare - 1 pc

- d Wood button - 2 pcs  
Spare - 1 pc
- e Allen wrench - 1pc  
Spare - 1pc

NOTE: WE INCLUDE SPARE HARDWARE IN CASE DAMAGE OCCURS DURING ASSEMBLY.

### Step 1

Insert wooden dowels (a) into the locator holes on (1) both ends of end rail.

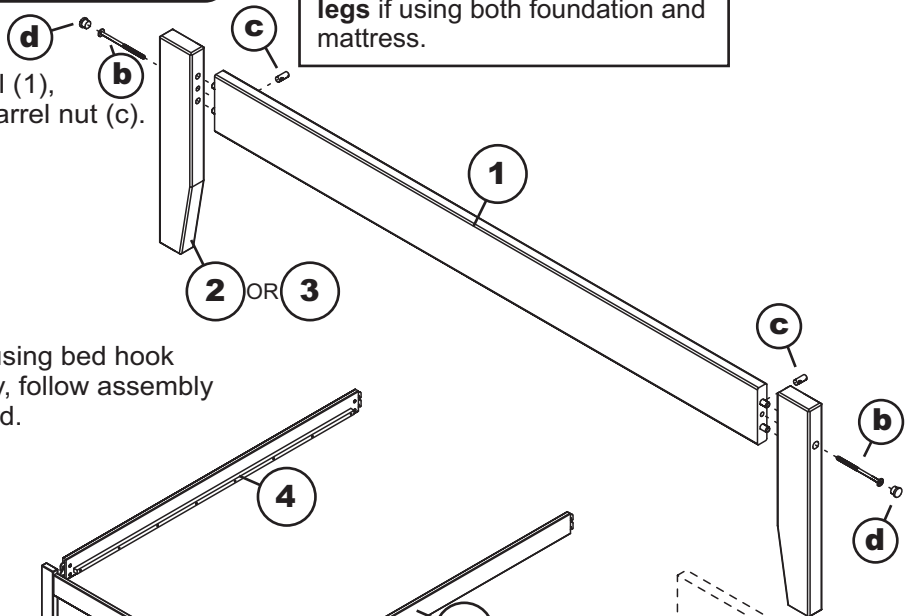


Choose the **tall legs** when using storage drawers, Trundle bed or mattress only, choose the **short legs** if using both foundation and mattress.



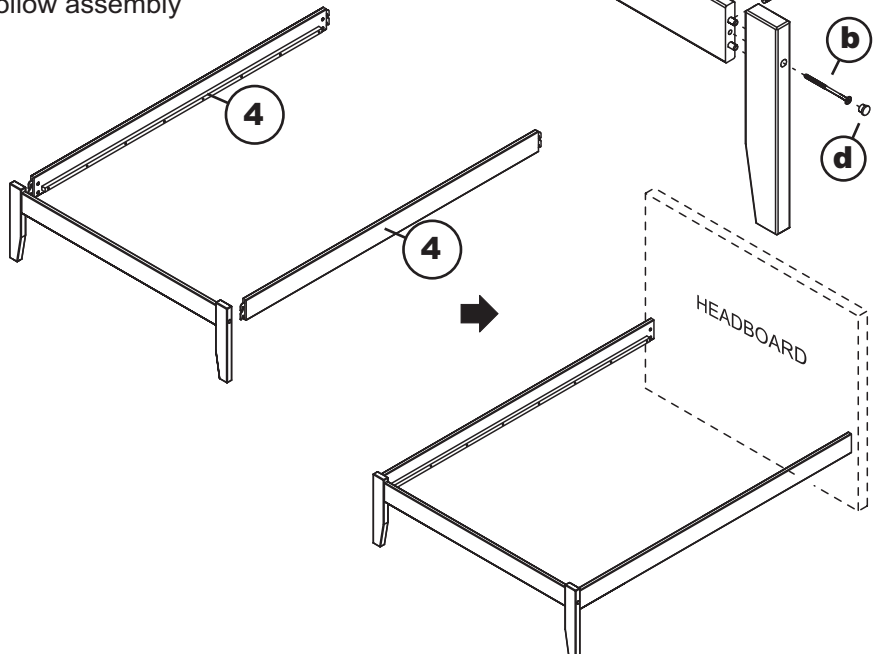
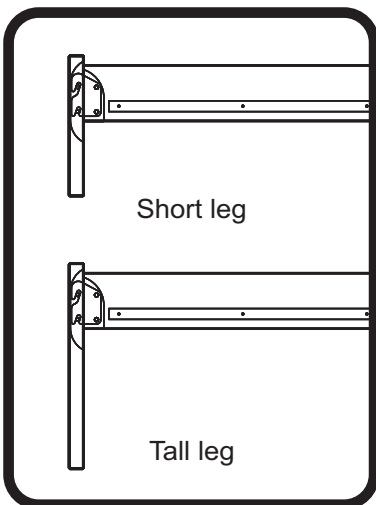
### Step 2

Attach the legs (2) or (3) to end rail (1), using JCB M6 X 100mm (b) and barrel nut (c). Tighten with the Allen wrench (e). Cover holes with wood button (d).



### Step 3

Attach side rails (4) to the end rail using bed hook as shown. For headboard assembly, follow assembly instructions included with headboard.



PO:

# FOUNDATION SUPPORT BOARDS

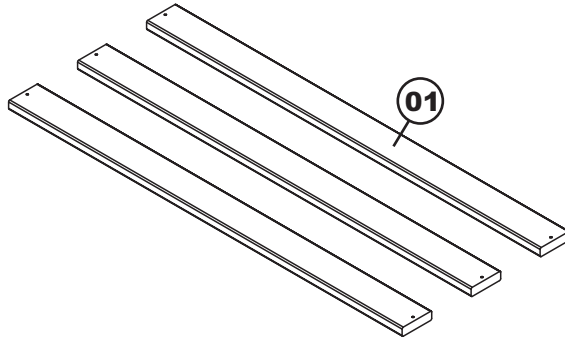
## ASSEMBLY INSTRUCTIONS ( TWIN XL )

Before assembling your Support boards, please read through these instructions carefully and familiarize yourself with the different parts.  
Please note that you will require a Phillips screwdriver.



### PARTS LIST

01 SUPPORT BOARDS 3 PCS



NOTE: WE INCLUDE SPARE HARDWARE IN CASE DAMAGE OCCURS DURING ASSEMBLY.

A



1 1/4" Wood screw - 6 pcs  
Spare - 1 pc

HARDWARE

### Step 1

Assemble bed frame according to assembly instructions.

### Step 2

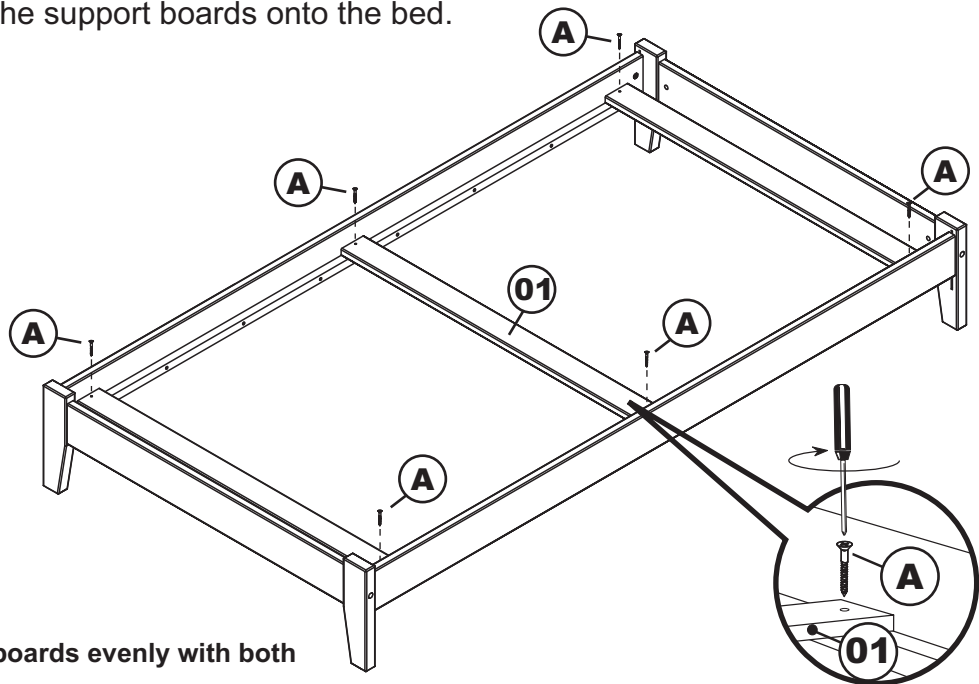
Lay the support boards onto the bed.



Adult assembly



Wood screw



### Step 3

Be sure to align support boards evenly with both ends of side rails.

Screw support boards (01) to side rails, using wood screw (A).

Tighten with Phillips screw driver. (Customer supplied)

Be sure the space between support boards is even.