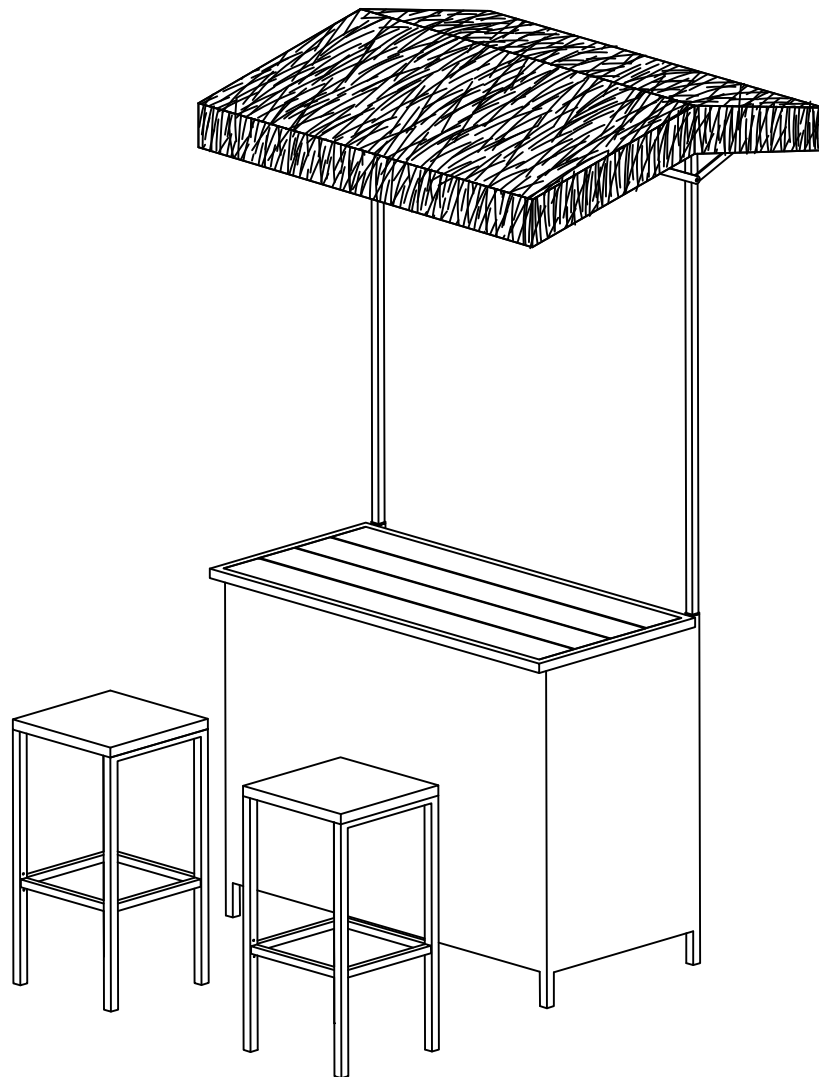


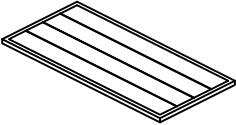

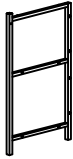


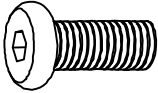
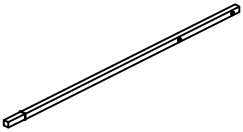

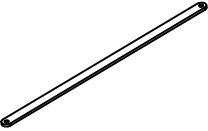
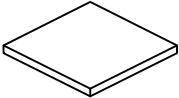

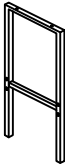

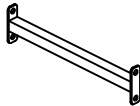
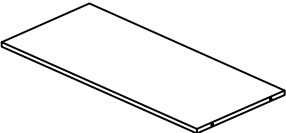

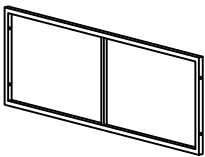
Assembly Instructions



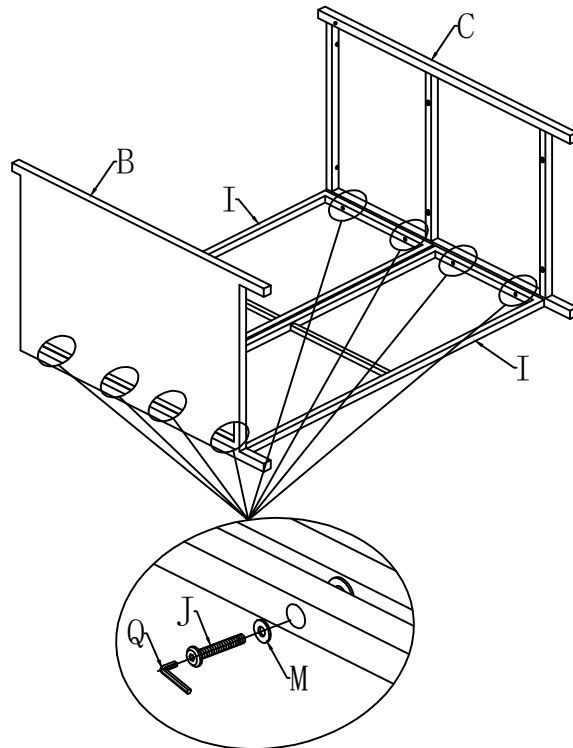
***Don't fully tighten all the bolts till the very end!**



PRE-ASSEMBLY PREPARATION:

- Please read through the instructions before beginning assembly.
- Clear out the space for assembly and lay out all of the parts based on the Parts List, extra room will allow you to easily determine if all the pieces are present.
- Keep small parts and pieces away from children until fully assembled.

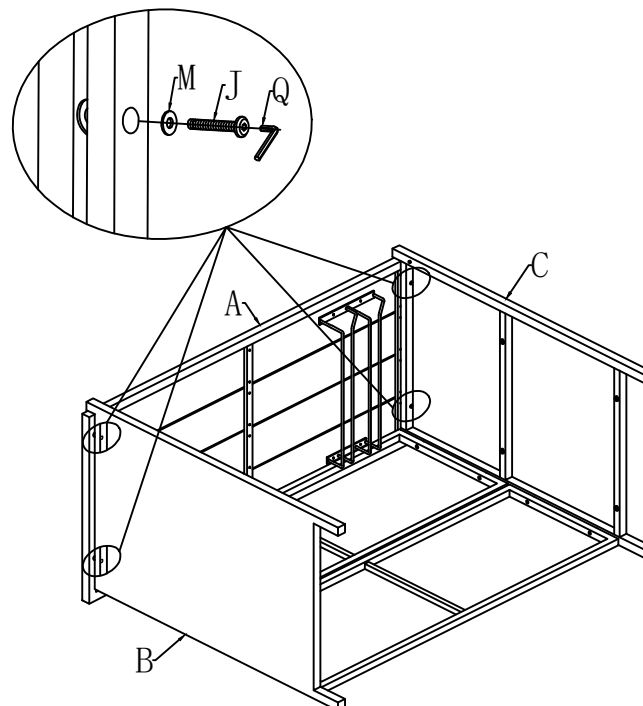
A		1	J	 M6*40mm	20
B		1	K	 M6*30mm	8
C		1	L	 M6*20mm	22
D		2	M		50
E		2	N		2
F		2	O		4
G		1	P		4
H		2	Q		1
I		2			



- ① Attach (I) to panel (B) (C) with 8pcs bolts J and 8pcs washers M, using Allen wrench Q



J	 M6*40mm	8
M		8

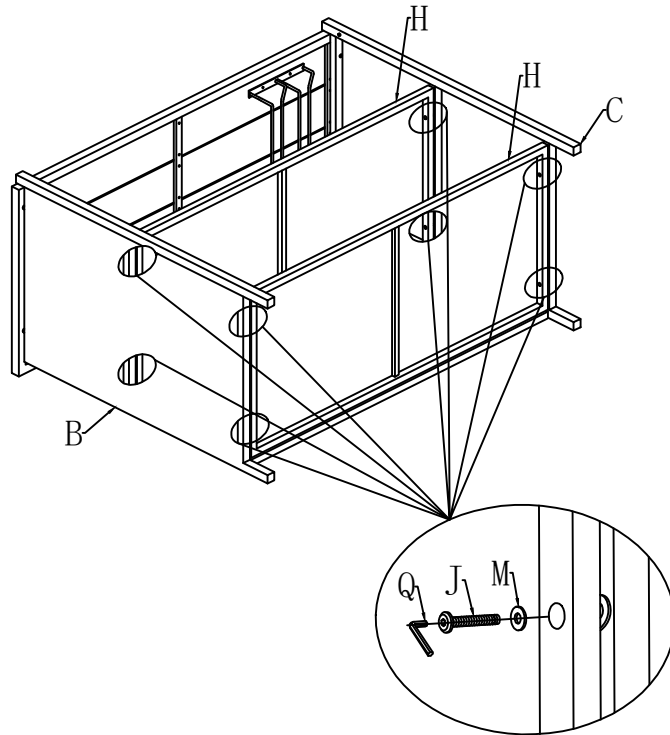
- ② Attach (B) (C) to panel (A) with 4pcs bolts J and 4pcs washers M, using Allen wrench Q



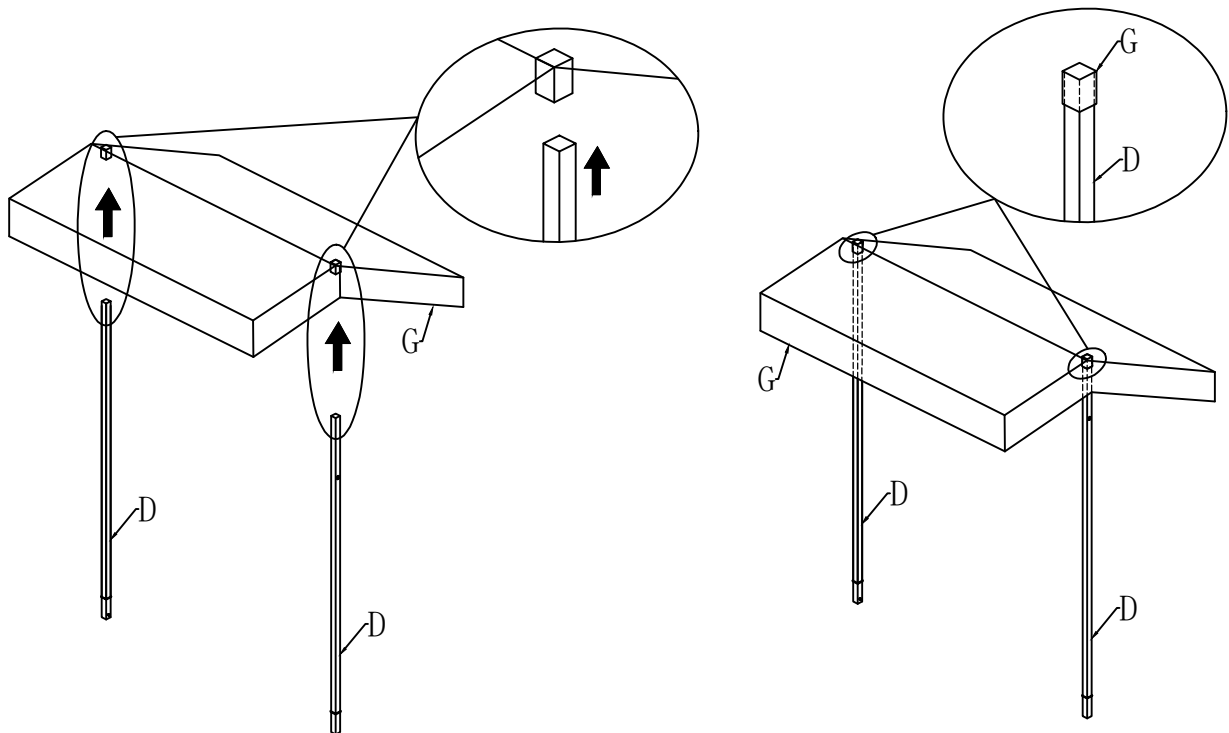
J	 M6*40mm	4
M		4

Note: Do not fully tighten any bolts until assembly is complete. Failure to follow these instructions may cause the bolt holes to be misaligned during assembly

- ③ Attach (H) to panel (B) (C) with 8pcs bolts J and 8pcs washers M, using Allen wrench Q

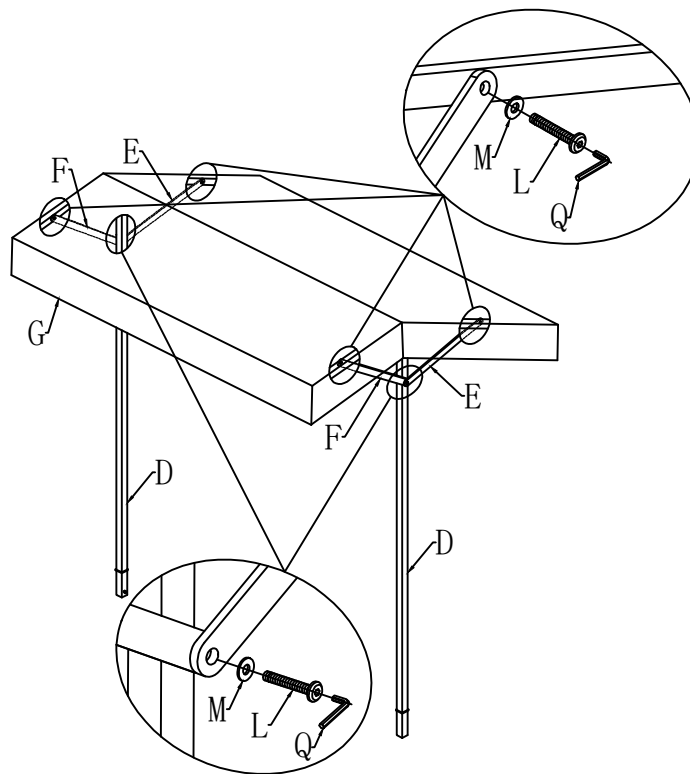




- ④ The (D) put it into the hole (G)



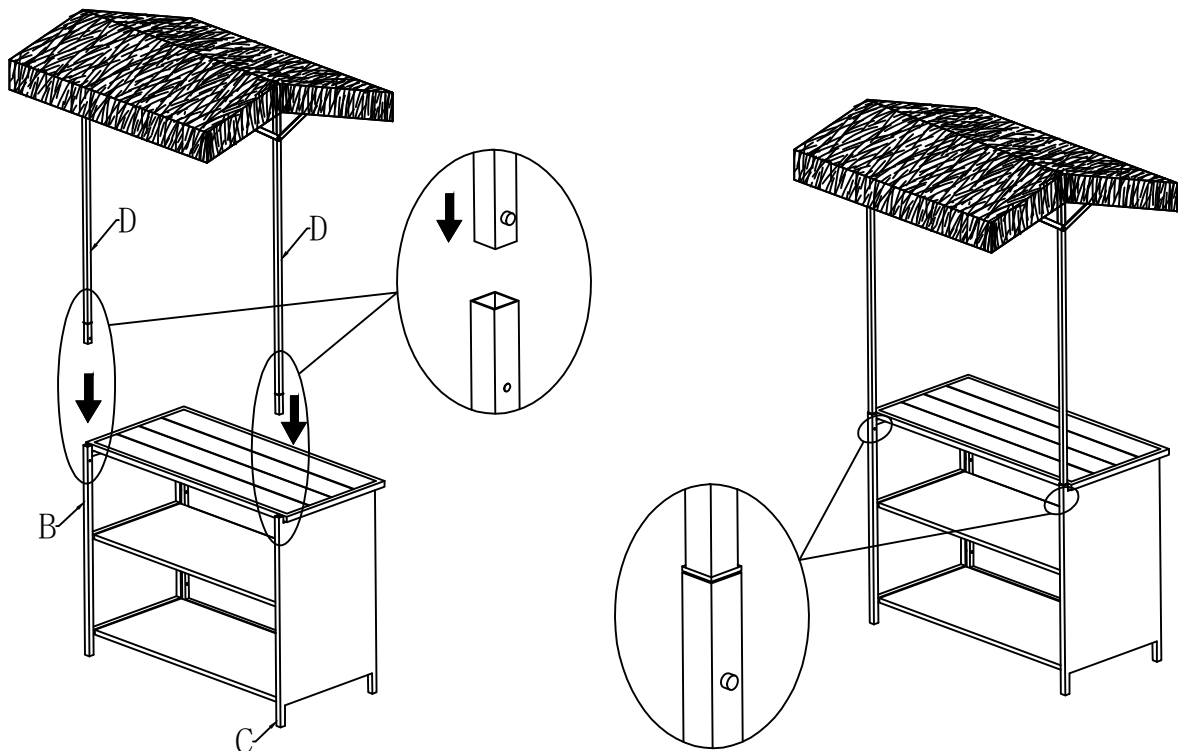
Note: Do not fully tighten any bolts until assembly is complete. Failure to follow these instructions may cause the bolt holes to be misaligned during assembly

- ⑤ Attach (E) (F) to panel (D) (G) with 6pcs bolts L and 6pcs washers M, using Allen wrench Q



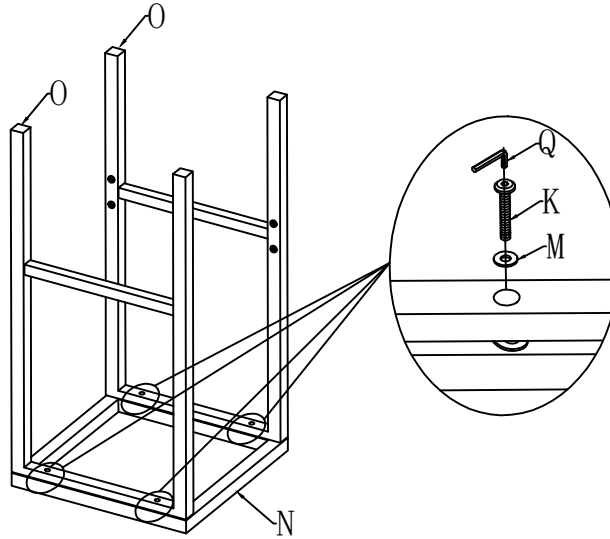
L	 M6*20mm	6
M		6



- ⑥ Press the snap, The (D) put it into the hole (B) (C), The snap pops out



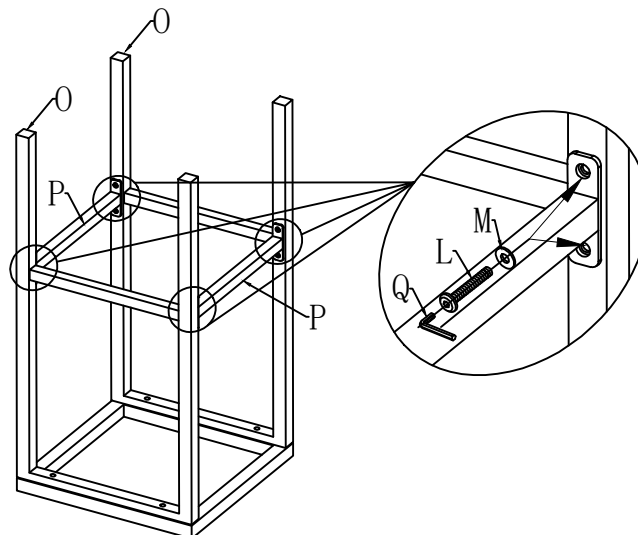
Note: Verify the alignment and adjust.
Now fully tighten all the bolts using wrench.



- ⑦ Attach (O) to panel (N) with 4pcs bolts K and 4pcs washers M, using Allen wrench Q



K	 M6*30mm	4
M		4

- ⑧ Attach (P) to panel (O) with 8pcs bolts L and 8pcs washers M, using Allen wrench Q



L	 M6*20mm	8
M		8

Note: Verify the alignment and adjust.
Now fully tighten all the bolts using wrench.

⑨ Put on the bar chair

