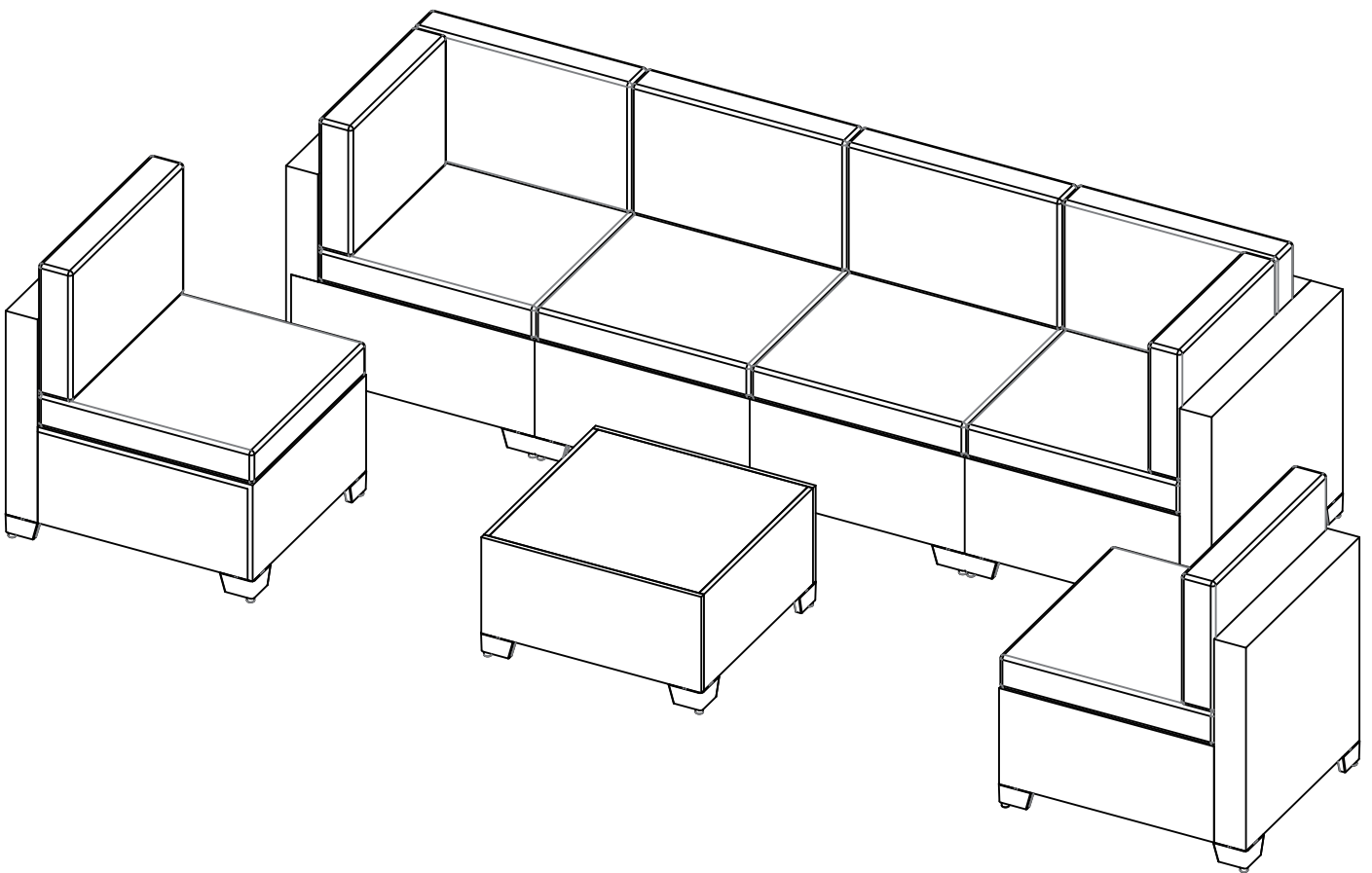


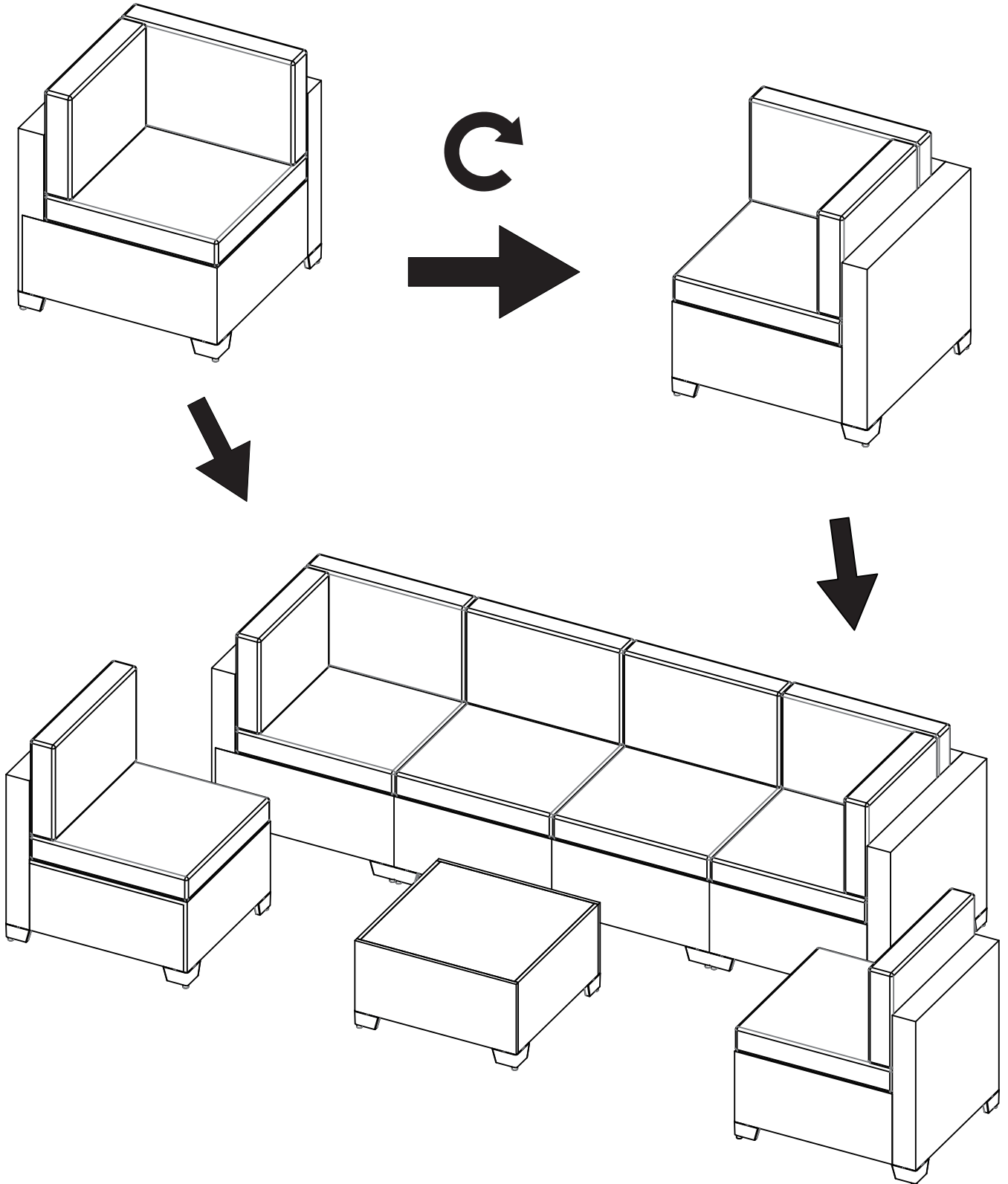
# 7 Pcs Sofa Set

## Instructions



# IMPORTANT

This 7 pcs sofa's corner sofas are completely identical. Just rotate it 90 degrees to fit the combination.



# Care & Instructions

Thank you for ordering the 7 pcs sofa set, here are some tips which may help you:

1. This 7 pcs sofa set comes in 3 boxes. If you only receive 1 box or 2 boxes, please do not worry. The others will arrive very soon.
2. Carton A contains 2 corner sofas (The corner sofas are completely identical); Carton B contains 2 middle sofas; Carton C contains 2 middle sofas plus 1 coffee table.
3. Amazon only allows us to upload 1 tracking number. If you want to know the others' tracking numbers, please contact us.
4. If any part is damaged or missing (please refer to packing list on page 6~8), please feel free to contact us. We will send you the replacement immediately.
5. In order to prolong the sofa set's service life, we suggest that you put all the cushions indoor on a rainy day.
6. We hope you can enjoy our product, if you have any other problem, please feel free to contact us.

## How To Cover Holes & Repair Broken Wicker



Step 1



Step 2



Step 3



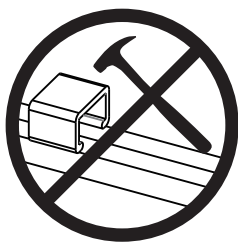
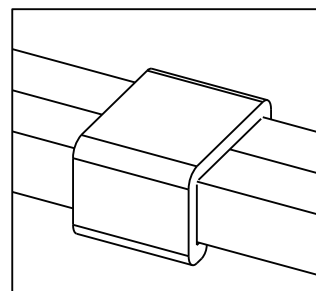
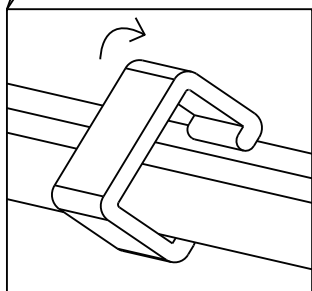
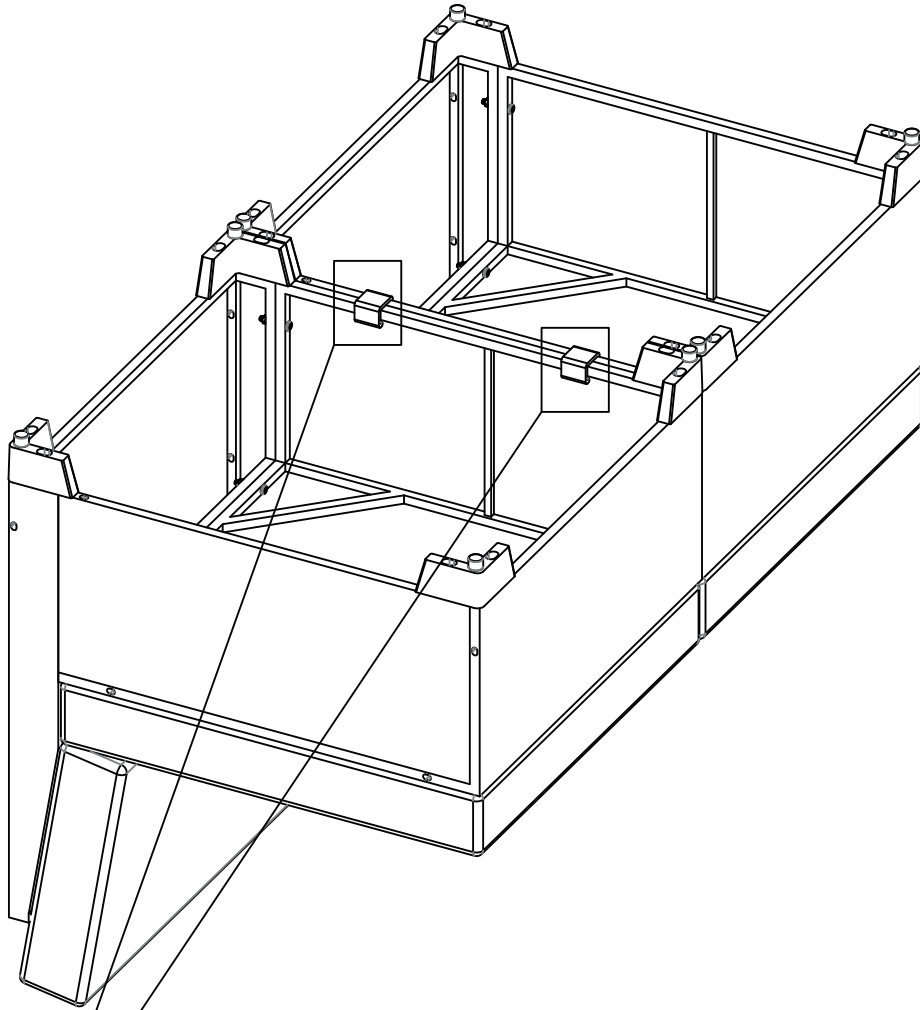
Step 4

You can use two pieces PE wicker to cover the hole, and repeat the steps to cover all the holes. These PE wicker can also be used to repair the scratch or broken wicker.

# Catalog

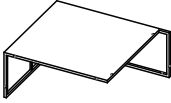
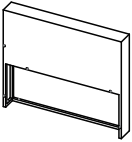
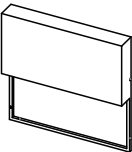
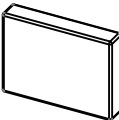
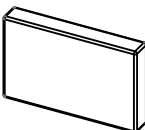
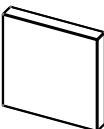
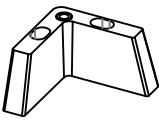

Important.....	02
Care & Instructions.....	03
How to Cover Holes & Repair Broken Wicker.....	03
How to Assemble U-Shaped Connector.....	05
Parts List of Box A .....	06
Parts List of Box B.....	07
Parts List of Box C .....	08
How to Assemble Corner Sofa .....	09
How to Assemble Middle Sofa.. .....	11
How to Assemble Coffee Table .....	13

# U-Shaped Connector

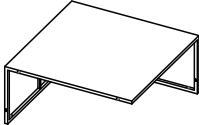
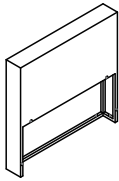
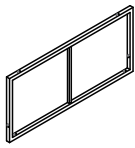
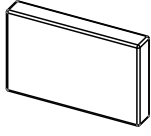
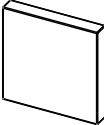
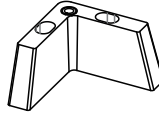
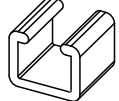


Notice:  
Do not use tools such as hammers;  
You can scald it with hot water to soften it.

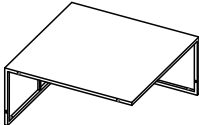
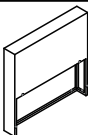
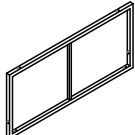
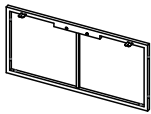
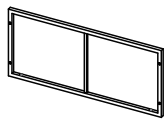
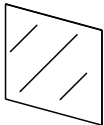

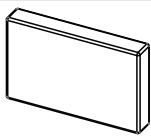
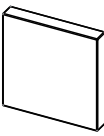
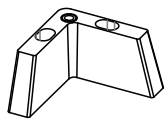
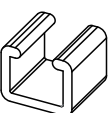
# Packing List of Box A

Box	Img	Part Name	Label No.	Qty
Box A		Corner Sofa Seat Part	CST	2
		Corner Sofa Long Back Part	CLB	2
		Corner Sofa Short Back Part	CSB	2
		Short Back Cushion With Cover	SBCC	2
		Long Back Cushion With Cover	LBCC	2
		Seat Cushion With Cover	SCC	2
		High L-Shaped Feet	O	10
		U-Shaped Connector	U	4
	-	Instructions	-	1
	-	Screw Set	SSA	1

# Packing List of Box B

Box	Img	Part Name	Label No.	Qty
Box B		Middle Sofa Seat Part	MST	2
		Middle Sofa Back Part	MBK	2
		Middle Sofa Side Part	MSD	2
		Long Back Cushion With Cover	LBCC	2
		Seat Cushion With Cover	SCC	2
		High L-Shaped Feet	O	8
		U-Shaped Connector	U	4
	-	Instructions	-	1
	-	Screw Set	SSB	1

# Packing List of Box C

Box	Img	Part Name	Label No.	Qty
Box C		Middle Sofa Seat Part	MST	2
		Middle Sofa Back Part	MBK	2
		Middle Sofa Side Part	MSD	2
		Coffee Table Short Side Part	CTS	2
		Coffee Table Long Side Part	CTL	2
		Coffee Table Glass Top	GLS	1
		Coffee Table Connector	CTC	1
		Long Back Cushion With Cover	LBCC	2
		Seat Cushion With Cover	SCC	2
		High L-Shaped Feet	O	12
		U-Shaped Connector	U	4
	-	Instructions	-	1
	-	Screw Set	SSC	1

# Corner Sofa



Do not use machine



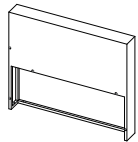
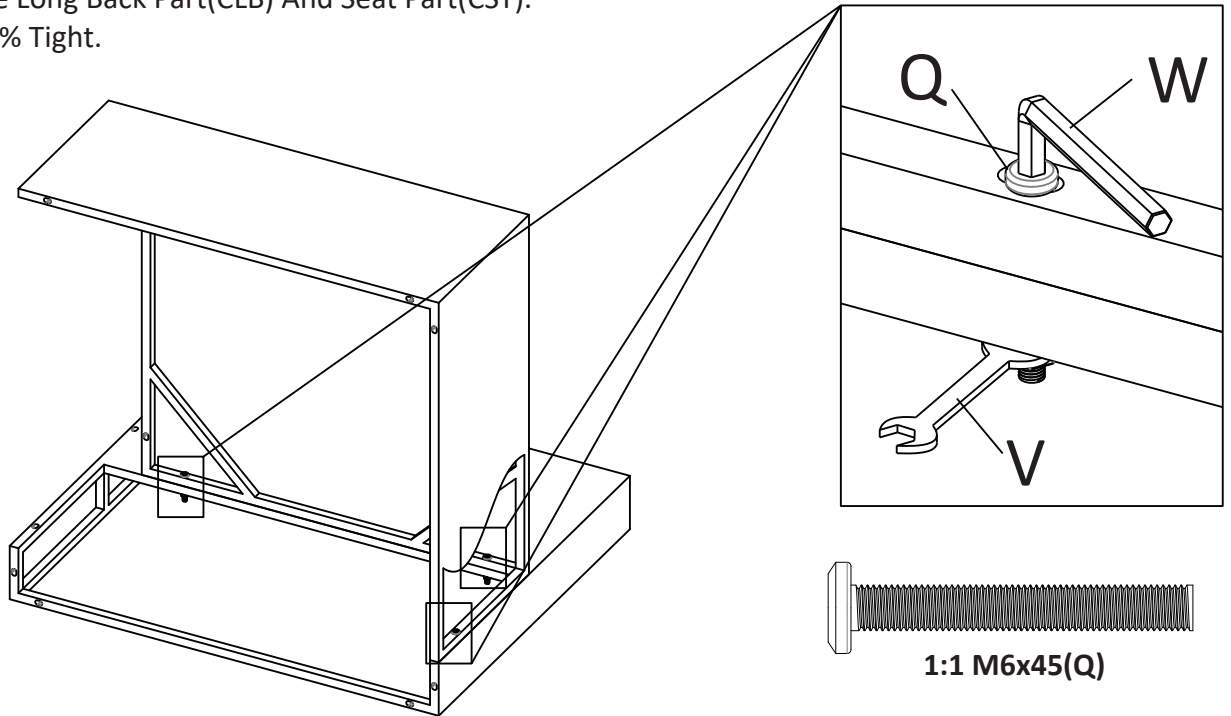
Two Persons together



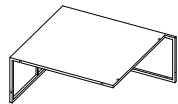
Need 25mins roughly

## Step 1: Assemble Long Back Part (CLB) And Seat Part (CST).

Tips: Do not 100% Tight.



CLB x 1



CST x 1



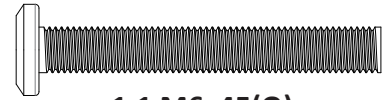
M6x45(Q) x 3



Wrench (V) x 1



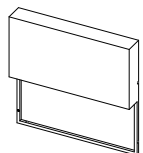
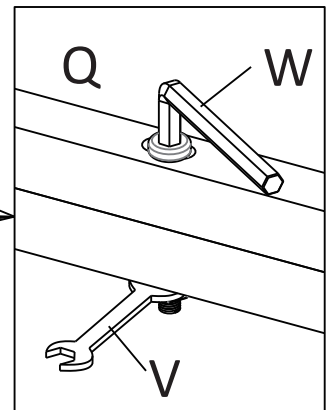
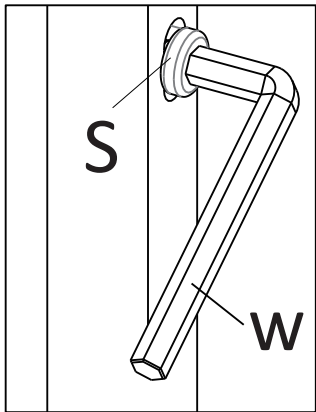
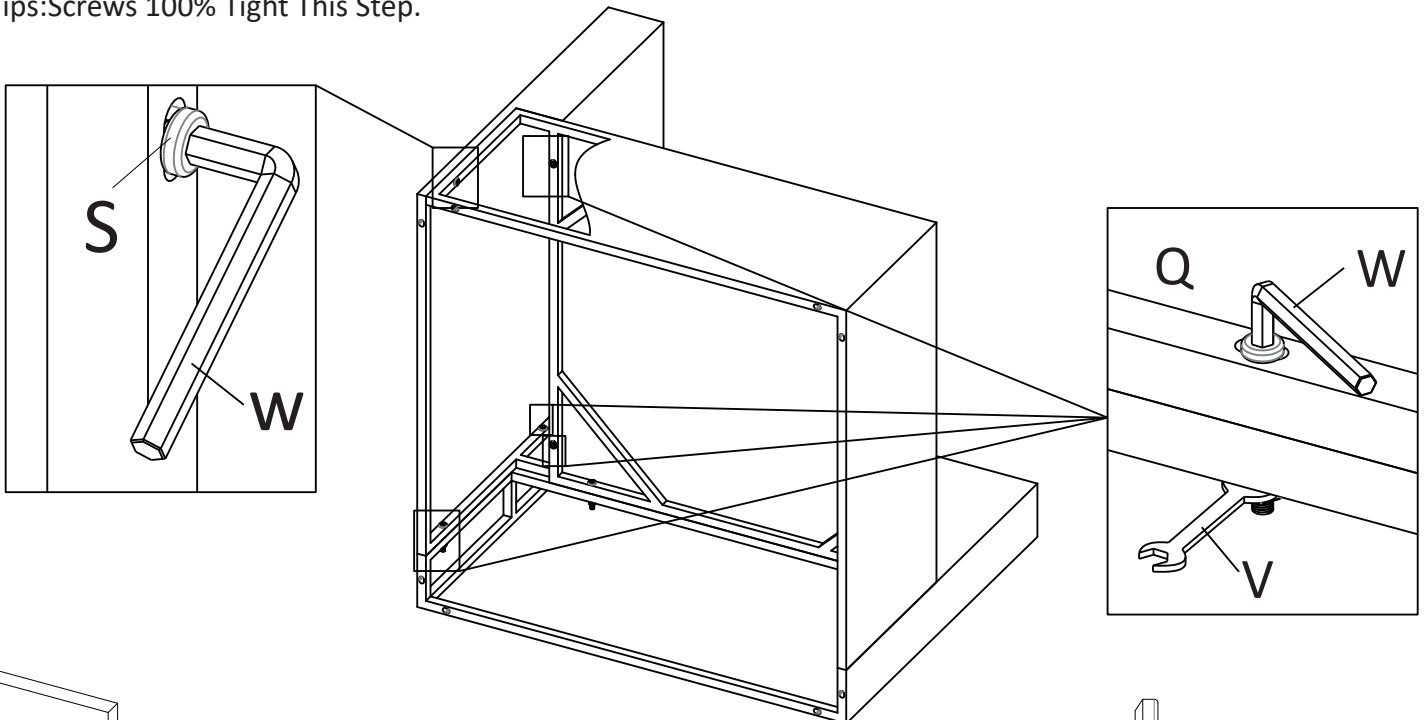
Spanner (W) x 1



1:1 M6x45(Q)

## Step 2: Assemble Short Back Part (CSB).

Tips: Screws 100% Tight This Step.



CSB x 1



M6x45(Q) x 4



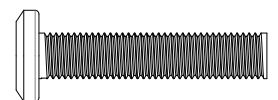
M6x30(S) x 1



Wrench (V) x 1



Spanner (W) x 1



1:1 M6x30(S)

# Corner Sofa



Do not use machine

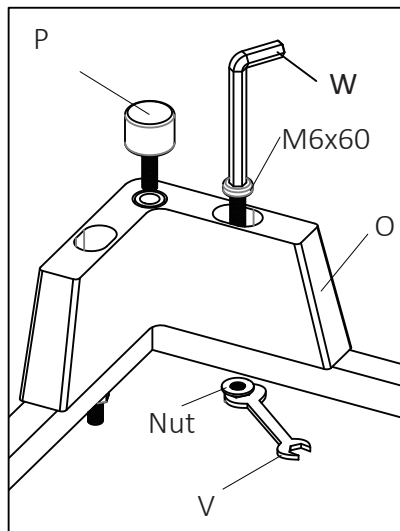


Two Persons together

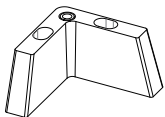


Need 25mins roughly

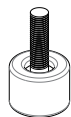
## Step 3: Assemble High L-Shaped Feet And Screw Feet.



1:1 M6x60



High L-Shaped Feet x 4



Screw Feet(P) x 4



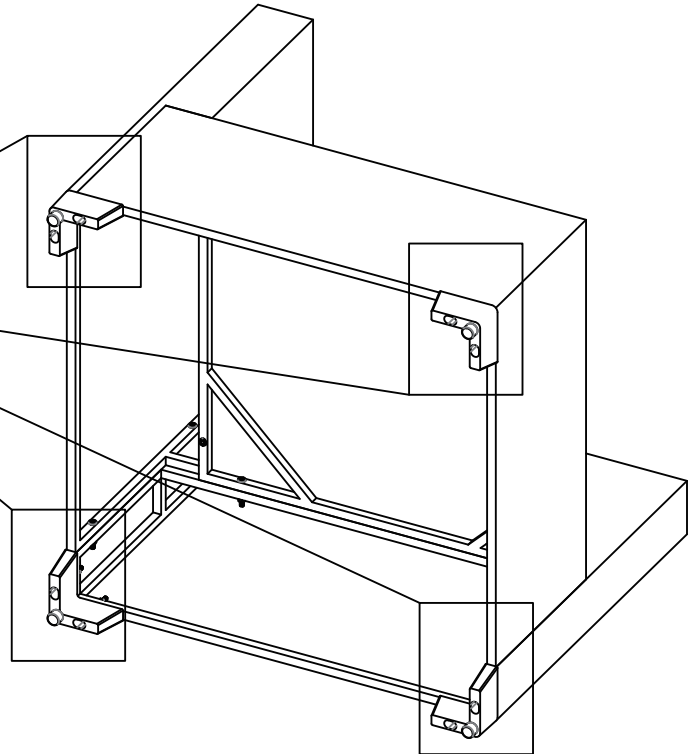
M6x60 x 8



Wrench(V) x 1

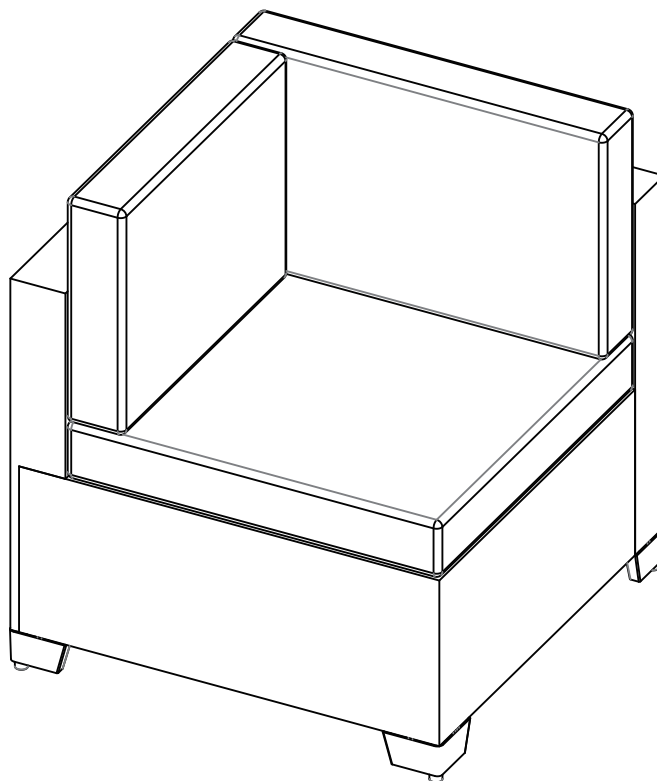


Spanner(W) x 1



## Step 4: Put the Seat Cushion and Back Cushion on.

Tips: The cushions can be fixed on the back of the sofa with ties. If you don't need the ties, you can cut them off.



Tips:

Seat Cushion x 1

Long Back Cushion x 1

Short Back Cushion x 1

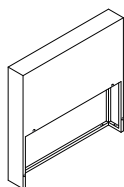
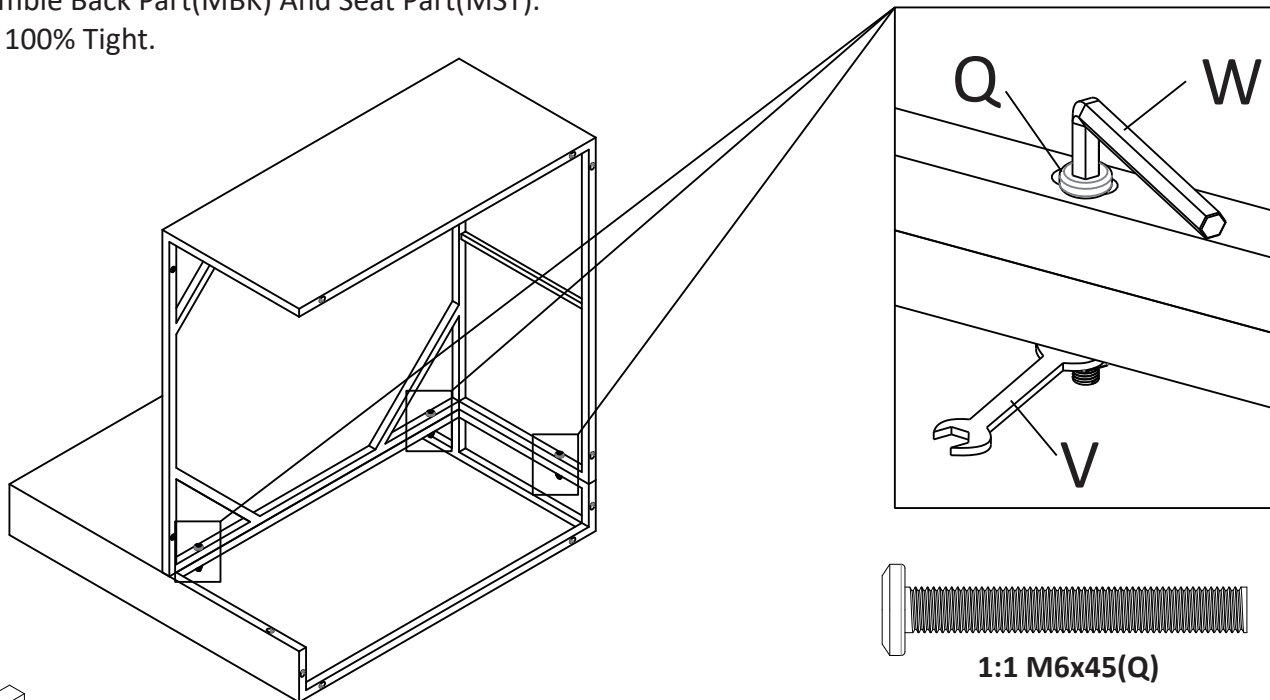
# Middle Sofa



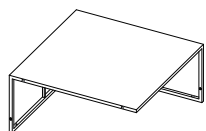
Do not use machine Two Persons together Need 25mins roughly

## Step 1: Assemble Back Part(MBK) And Seat Part(MST).

Tips: Do not 100% Tight.



MBK x 1



MST x 1



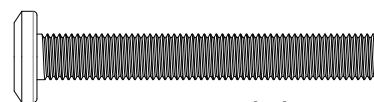
M6x45(Q) x 3



Wrench(V) x 1



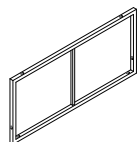
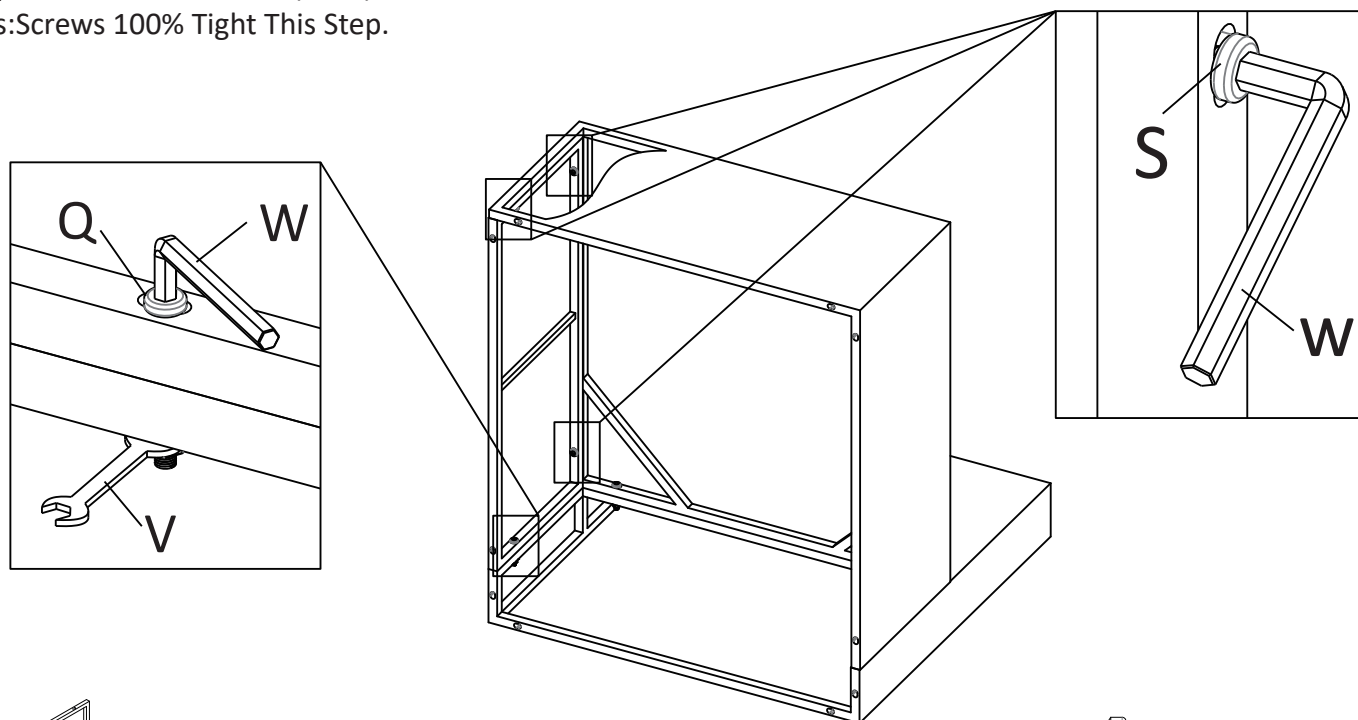
Spanner(W) x 1



1:1 M6x45(Q)

## Step 2: Assemble Side Part(MSD).

Tips: Screws 100% Tight This Step.



MSD x 1



M6x45(Q) x 1



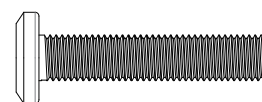
M6x30(S) x 3



Wrench(V) x 1



Spanner(W) x 1



1:1 M6x30(S)

# Middle Sofa



Do not use machine

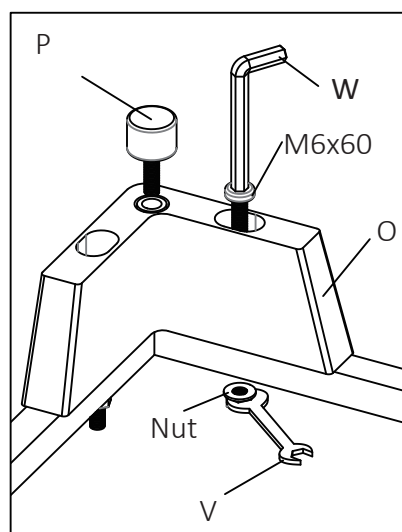


Two Persons together

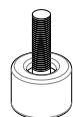
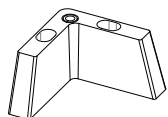


Need 25mins roughly

## Step 3: Assemble High L-Shaped Feet And Screw Feet.



1:1 M6x60



High L-Shaped Feet x 4

Screw Feet(P) x 4

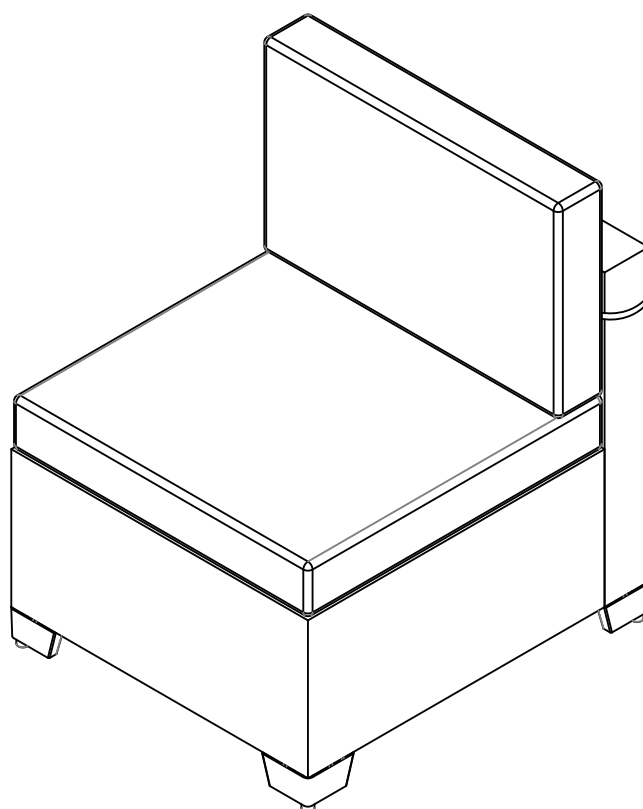
M6x60 x 8

Wrench(V) x 1

Spanner(W) x 1

## Step 4: Put the Seat Cushion and Back Cushion on.

Tips: The cushions can be fixed on the back of the sofa with ties. If you don't need the ties, you can cut them off.



# Coffee Table



Do not use machine



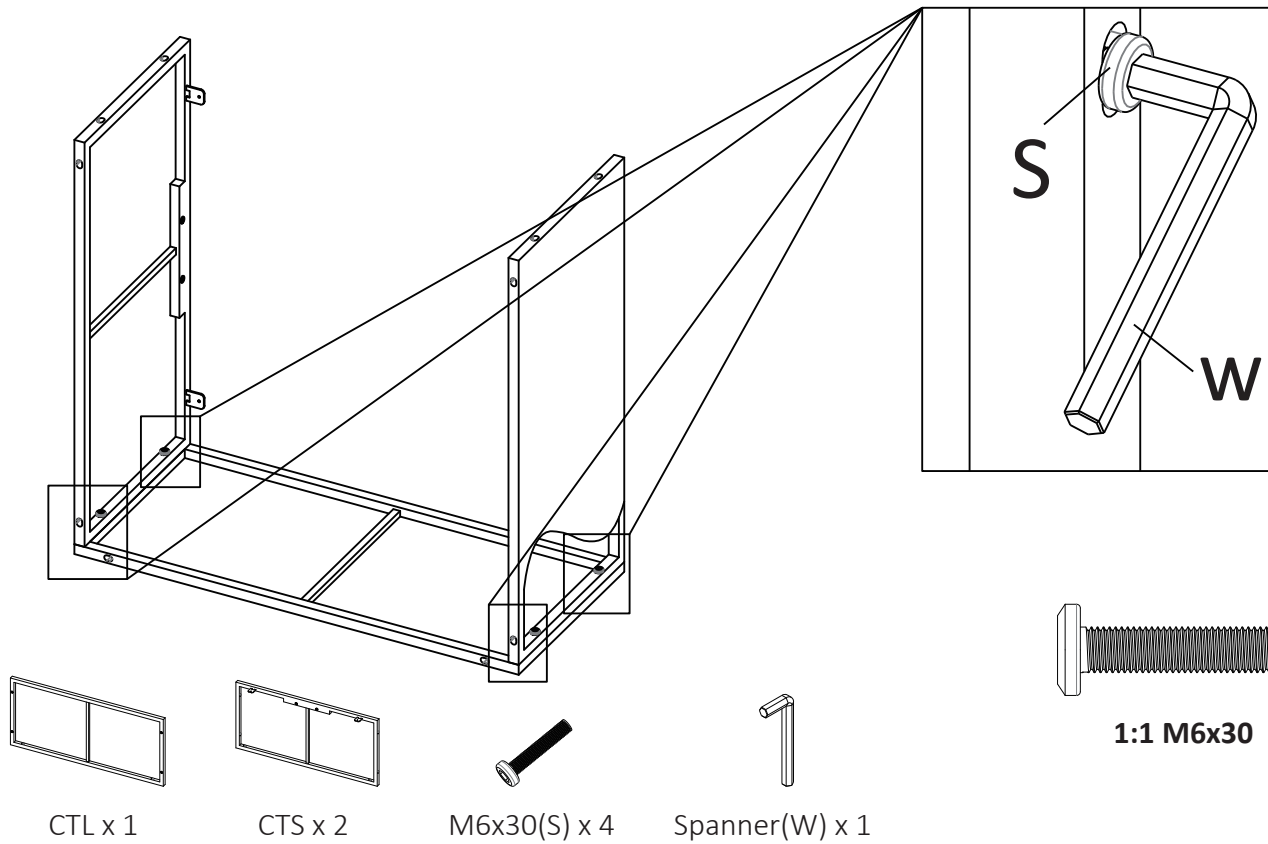
Two Persons together



Need 25mins roughly

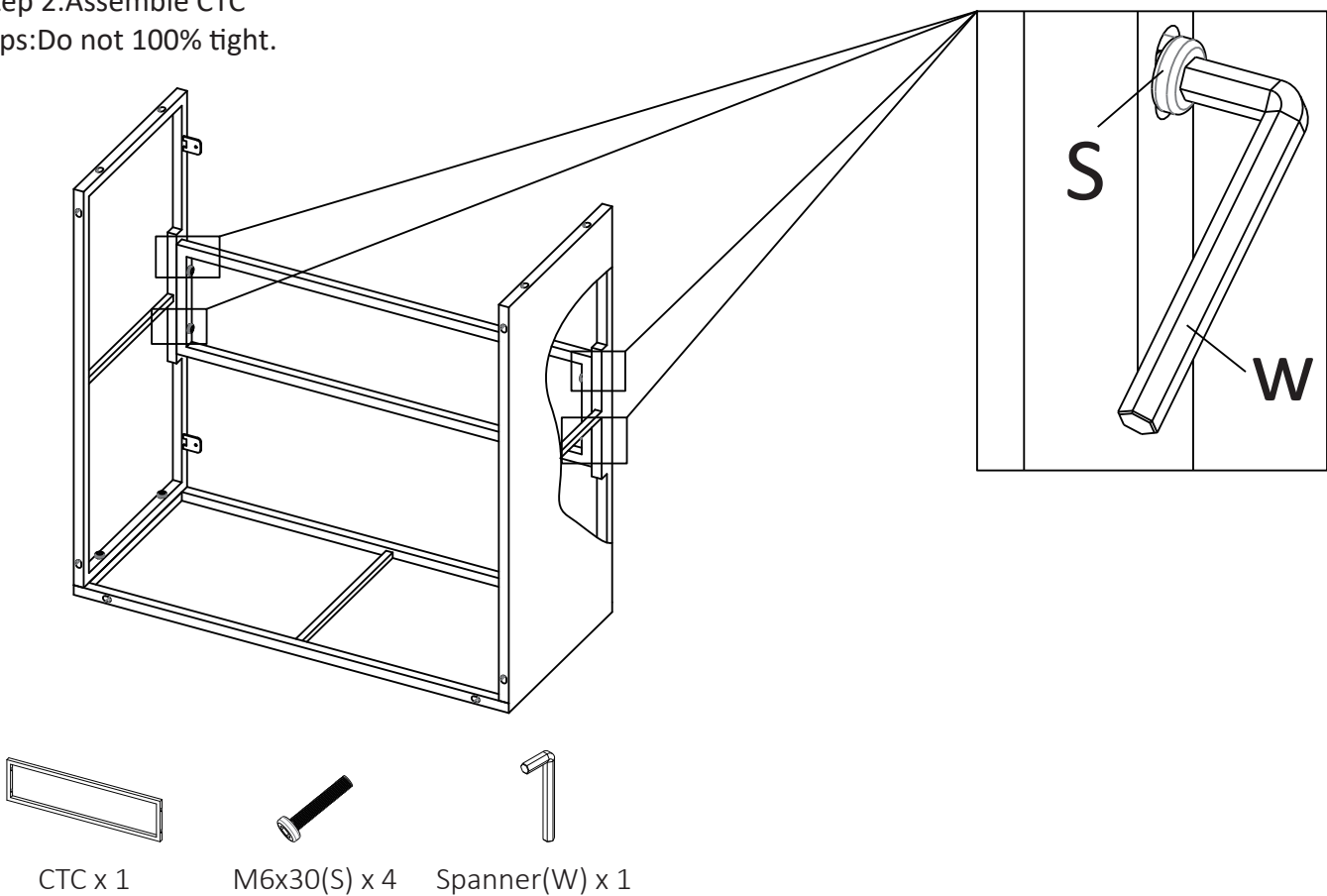
## Step 1: Assemble CTL and CTS.

Tips: Do not 100% tight.



## Step 2: Assemble CTC

Tips: Do not 100% tight.



# Coffee Table



Do not use machine



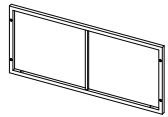
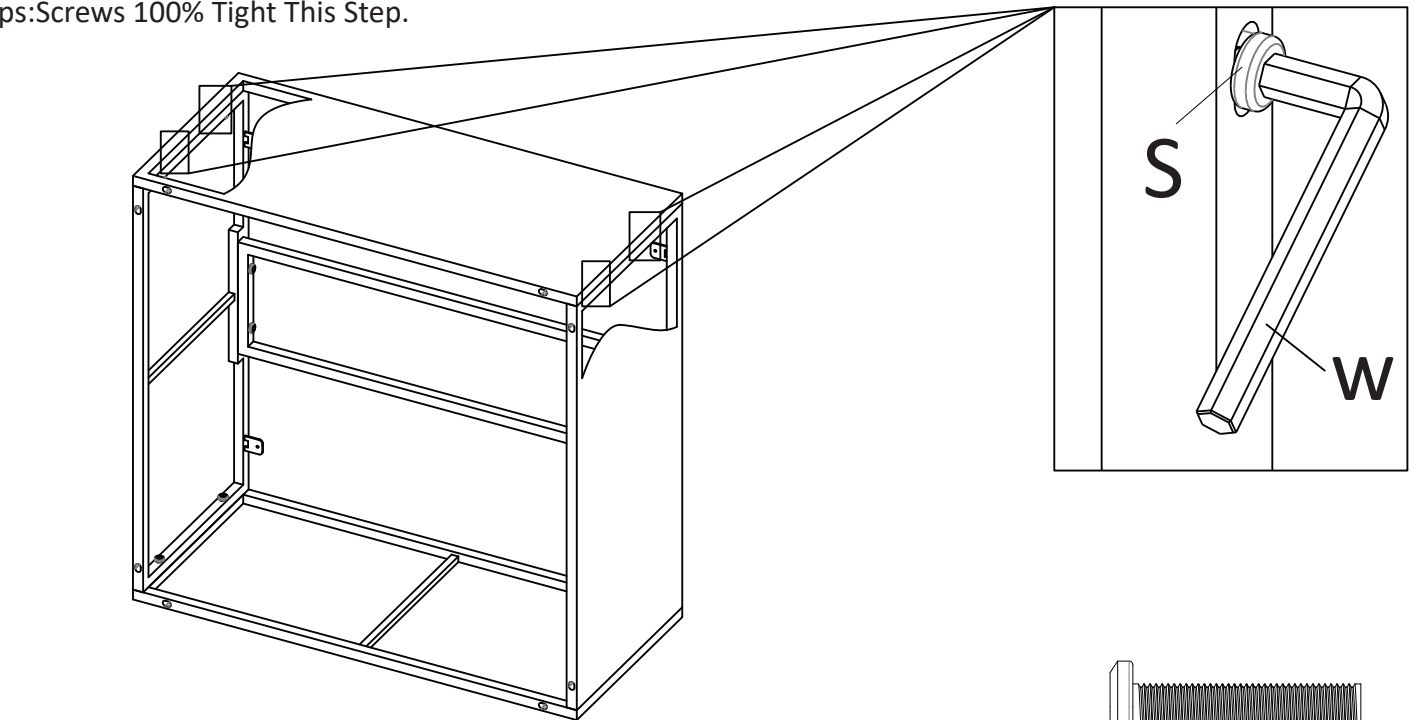
Two Persons together



Need 25mins roughly

## Step 3: Assemble CTL.

Tips: Screws 100% Tight This Step.



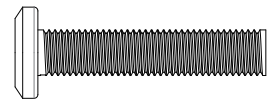
CTL x 1



M6x30(S) x 4

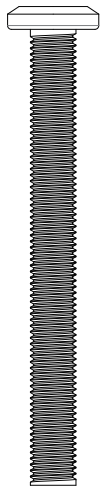
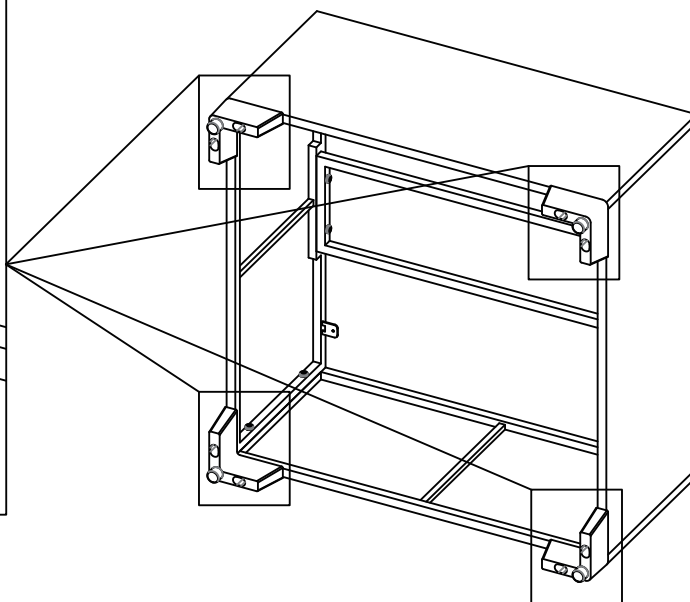
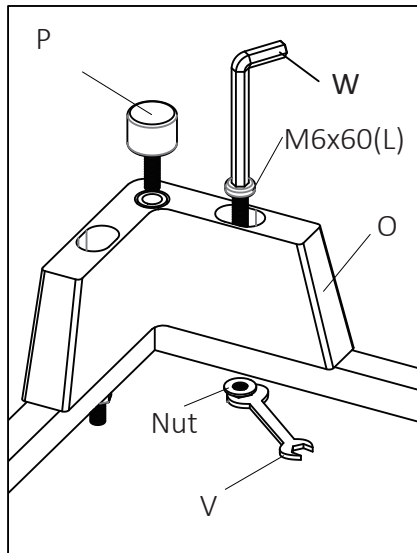


Spanner(W) x 1

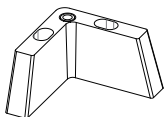


1:1 M6x30

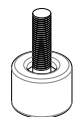
## Step 4: Assemble High L-Shaped Feet.



1:1 M6x60



High L-Shaped Feet x 4



Screw Feet(P) x 4



M6x60 x 8



Wrench(V) x 1



Spanner(W) x 1

# Coffee Table



Do not use machine

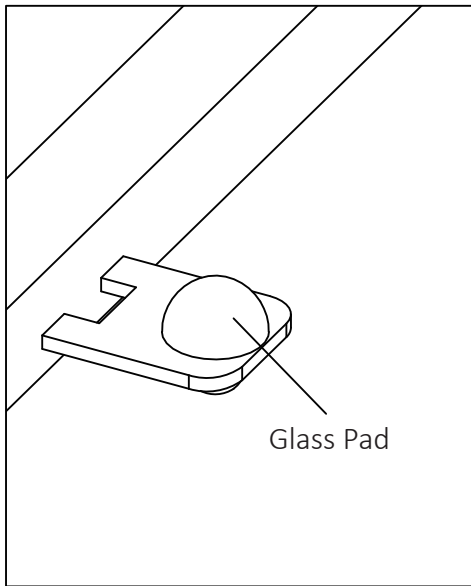


Two Persons together

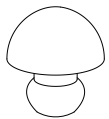
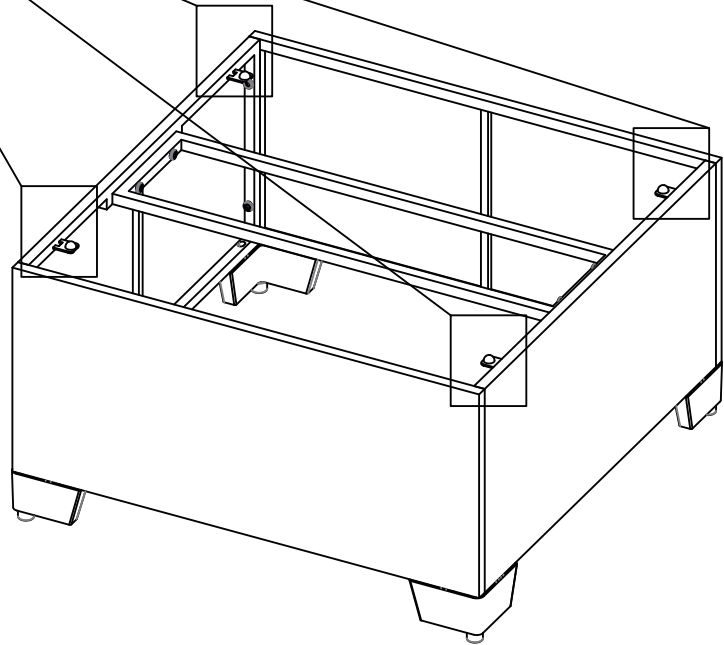


Need 25mins roughly

Step 5: Press in the Glass Pads.

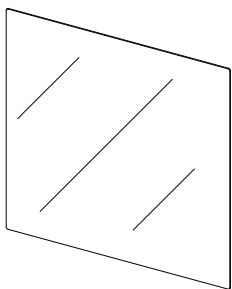


Glass Pad



Glass Pad x 4

Step 6: Put on the Glass Top



Glass Top x 1

