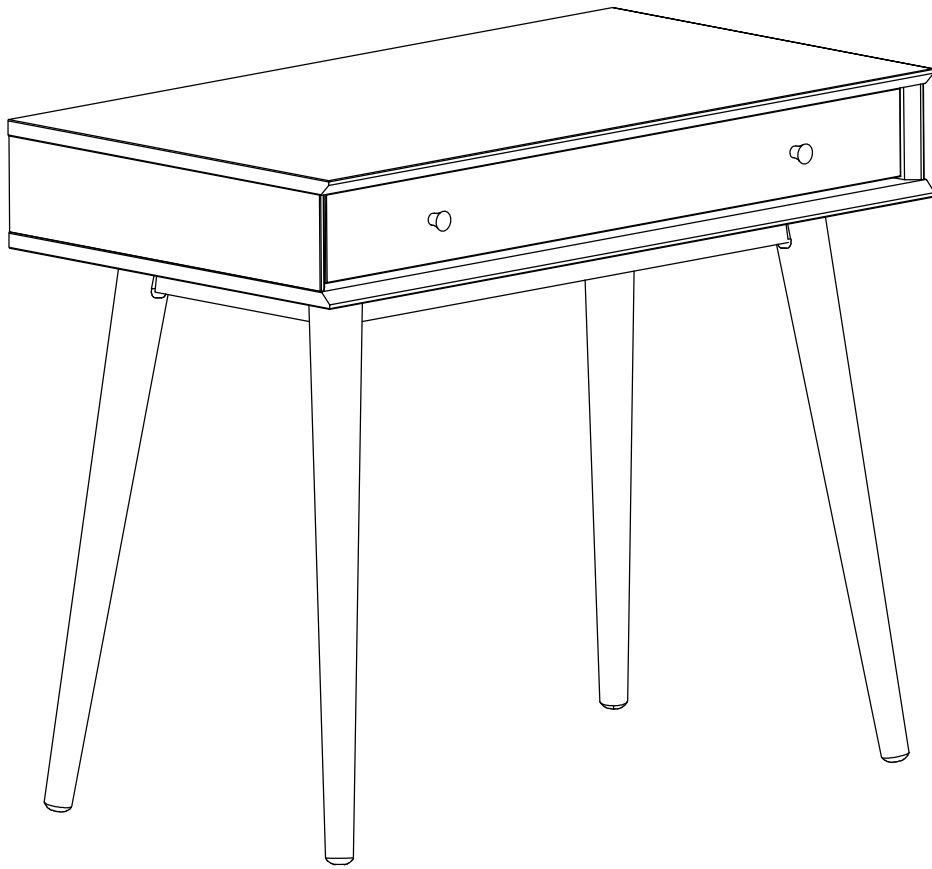

ASSEMBLY INSTRUCTIONS

MID CENTURY DESK WITH ONE DRAWER

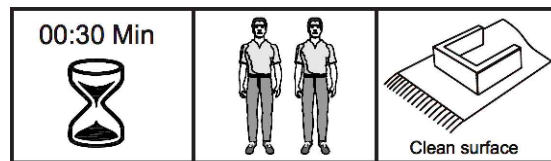
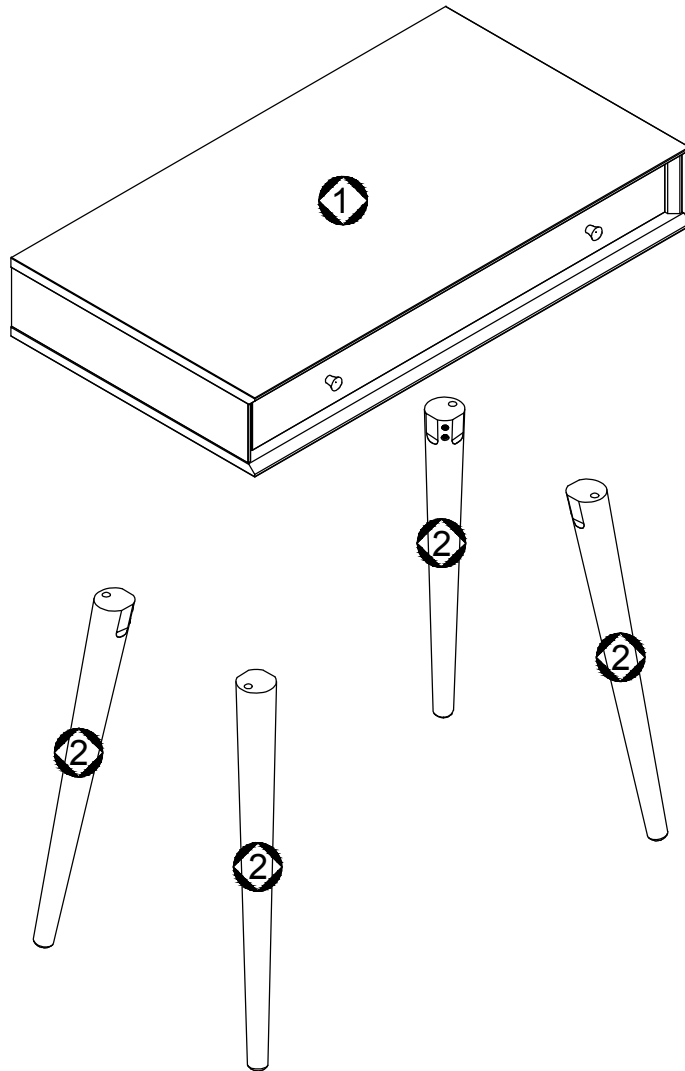


IMPORTANT NOTE:

Place all wooden parts on a clean and smooth surface such as a rug or carpet to avoid parts from being scratched.

Before you begin, kindly follow the assembly instructions step by step.

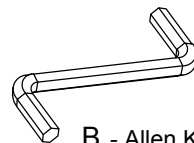
PARTS INCLUDED



HARDWARE INCLUDED



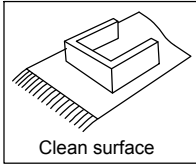
A - 1/4" x 50 Bolt
Qty. 08



B - Allen Key
Qty. 01

The hardware quantities listed above are required for proper assembly.

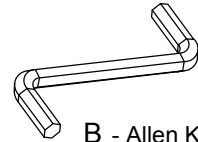
STEP 1



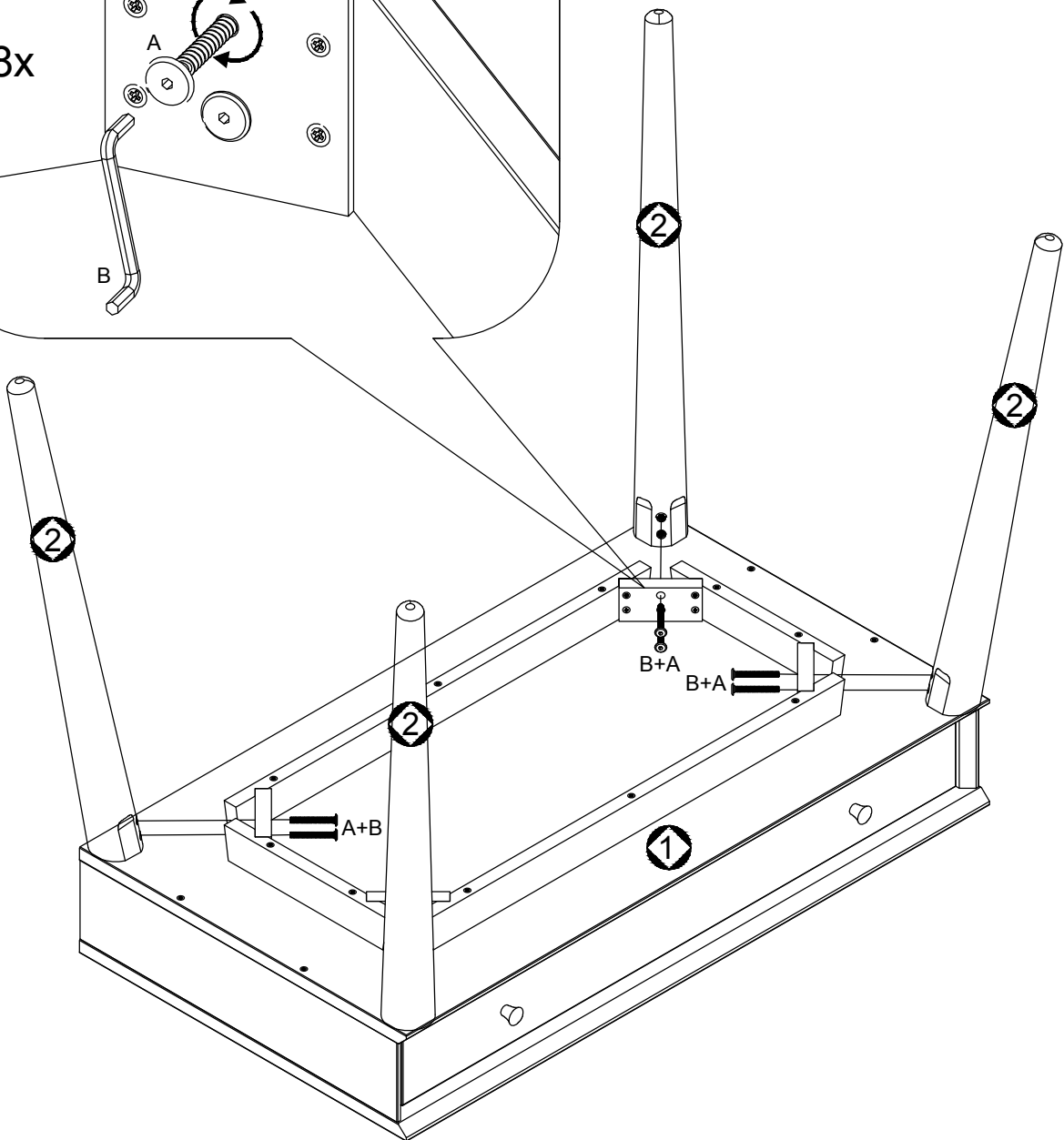
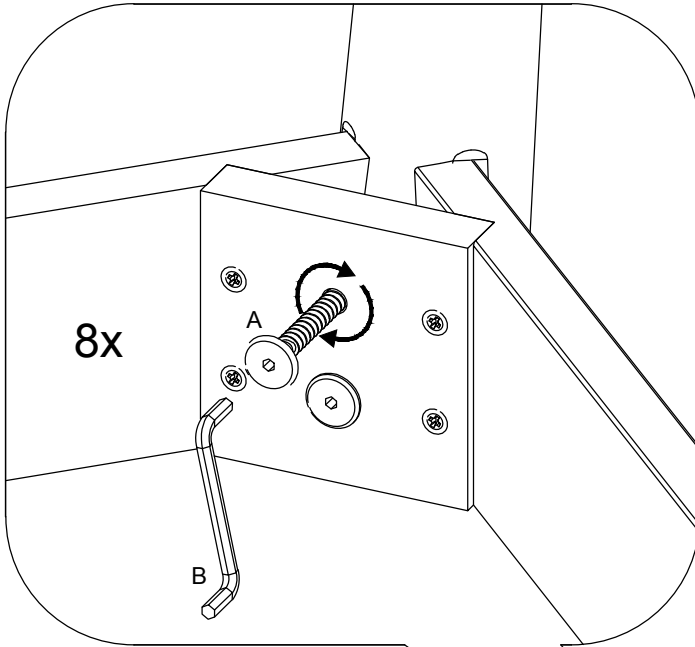
Attach legs (2) to the top (1).



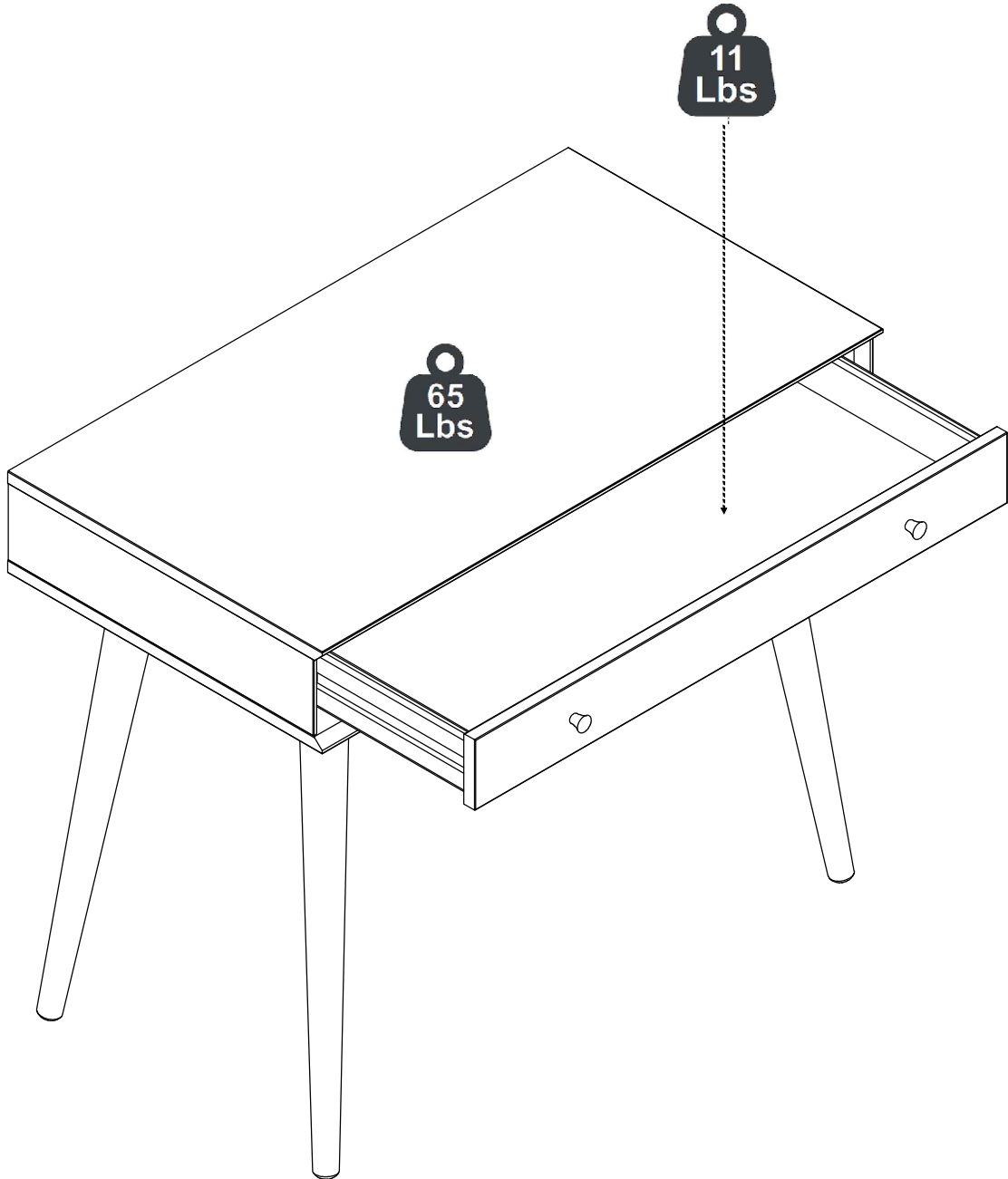
A - 1/4" x 50 Bolt
Qty. 08



B - Allen Key
Qty. 01



STEP 2



Final Assembly