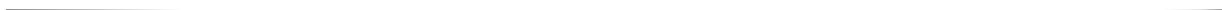
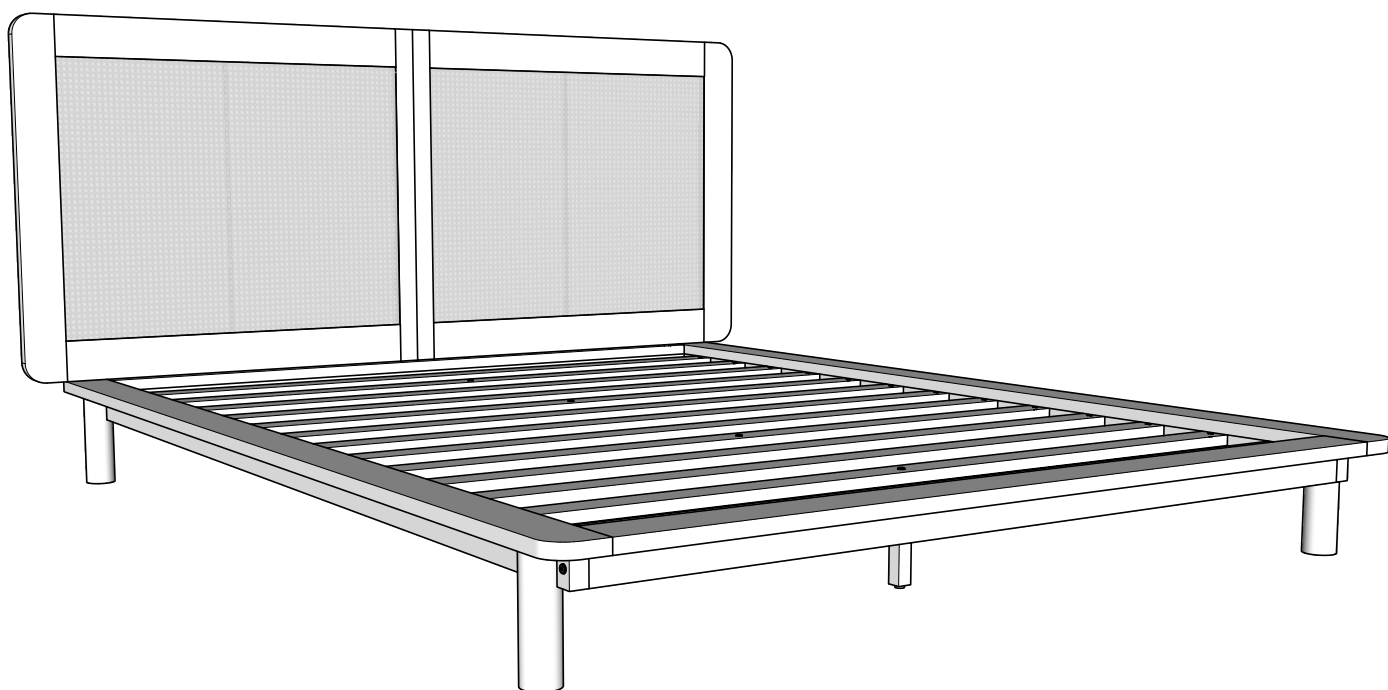


180650-Q





# IMPORTANT INFORMATION

Seller and Manufacturer disclaim all and any liability for property damage, personal injury, or loss, direct, indirect, or incidental, resulting from the incorrect assembly, inadequate maintenance, improper use, or neglect of this product.



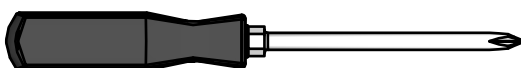
## NOTICE

- Keep these assembly instructions for future reference.
- Do not use this product if there are missing, damaged, or broken parts until repairs are made and/or factory replacement parts are installed.
- Check all packing material carefully for small hardware that may have become loose inside the carton during shipment.
- Identify and count all hardware and parts to compare with parts and hardware list.
- Follow assembly instructions closely. Improper assembly can result in personal or property damage.
- Secure all bolts before use.
- Every 90 days check all bolts are secured.
- Some parts may have a sharp corner or edge and maybe heavy.
- Do not use or store this product near open flames or around flammable chemicals.
- When placing contents on non-carpeted flooring, it's recommended to use floor protection such as an area rug or furniture pads. These are not included with the purchase.
- Do not drag or push the bed frame. To ensure safe moving, always use two people to lift and re-position the bedframe. Avoid dragging or pushing it across the floor to prevent damage to the legs, slats, and the center support legs.

## REPLACEMENT PART OR HARDWARE REQUEST:

Request a replacement by logging into the marketplace account in which the purchase was made and sending a message to the seller. To assist in expediting the request attach applicable images relevant to the request and/or part number and quantity.

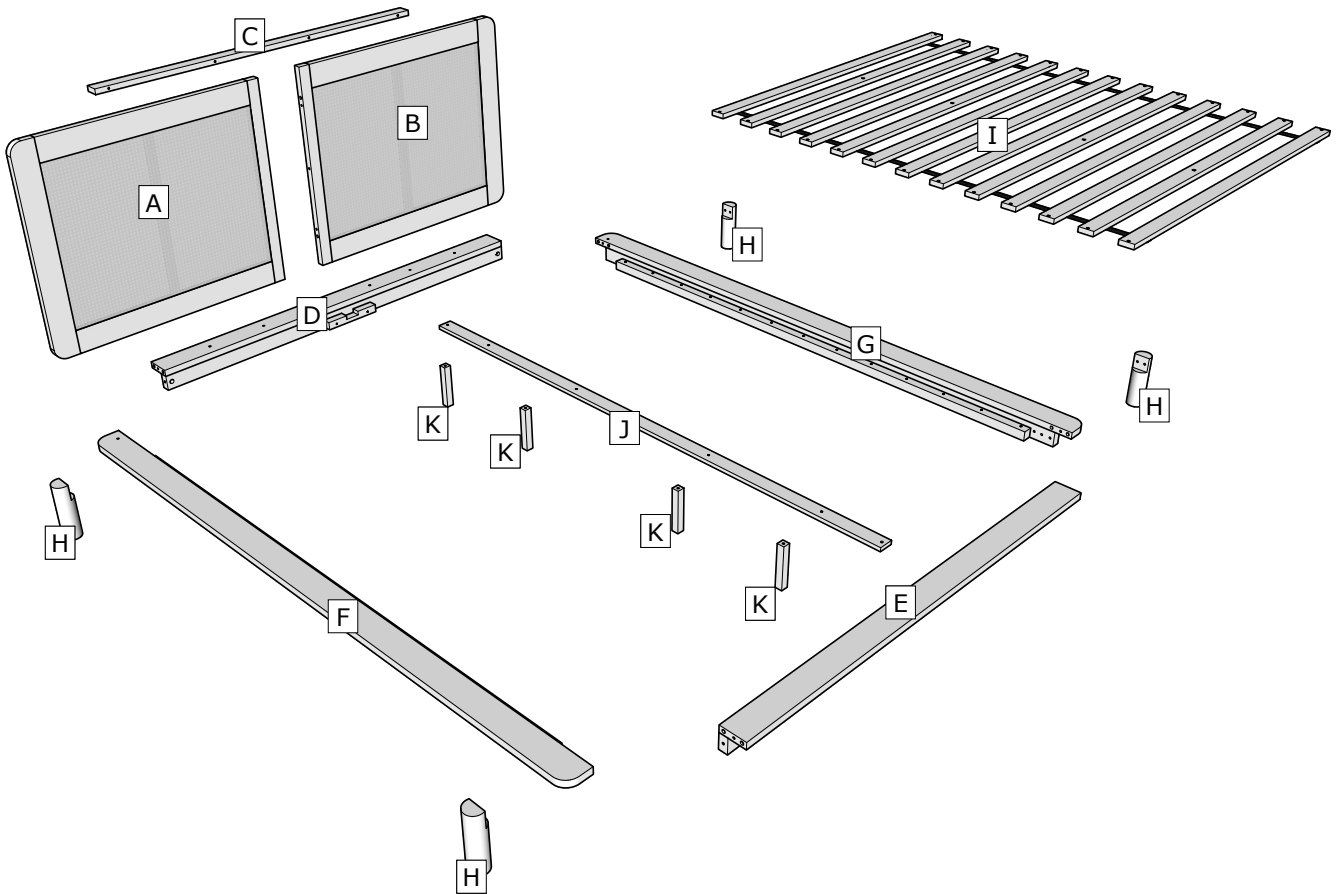
## ADDITIONAL TOOL REQUIRED:



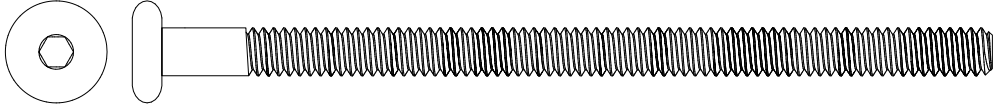
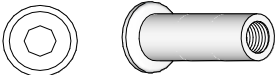
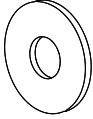
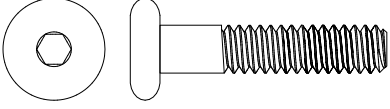
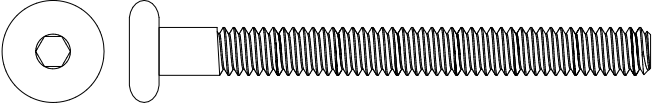
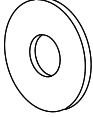
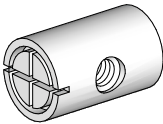
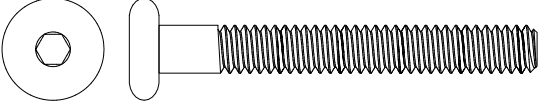
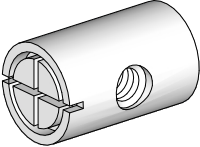
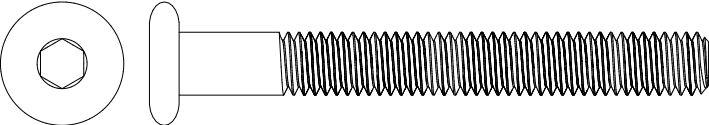
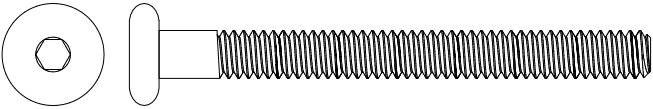
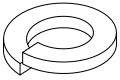
**#2 Philips Screwdriver  
( Not Provided)**

# BED PARTS

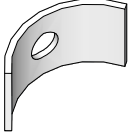

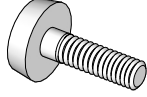



- A..... Headboard Left..... x 1
- B..... Headboard Right..... x 1
- C..... Headboard Upper Rail..... x 1
- D..... Headboard Lower Rail..... x 1
- E..... Footboard..... x 1
- F..... Side Rail Left..... x 1
- G..... Side Rail Right..... x 1
- H..... Leg..... x 4
- I..... Bed Slat..... x 1
- J..... Slat Support..... x 13
- K..... Support Leg..... x 4



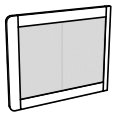
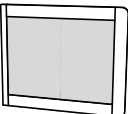

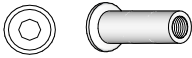



# HARDWARE

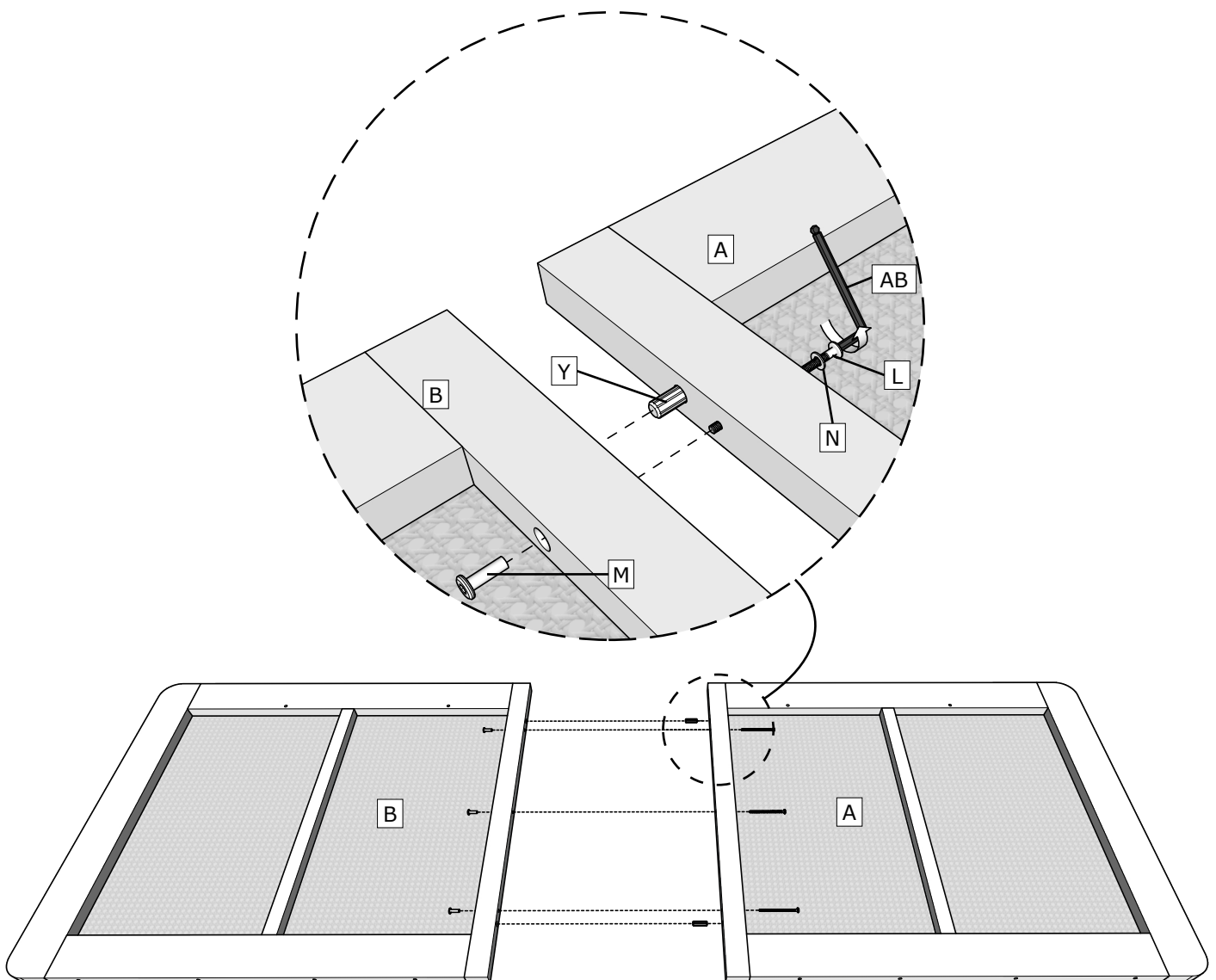
|  |   |   |
|--|---|---|
| <p><b>L</b> Bolt<br/>x 3</p>  <p>M6 x 110mm</p>          |   |   |
| <p><b>M</b> Joint Connector<br/>x 3</p>  <p>M6 x 20mm</p> | <p><b>N</b> Flat Washer<br/>x 11</p>  <p>M6</p>            | <p><b>O</b> Bolt<br/>x 2</p>  <p>M6 x 30mm</p> |
| <p><b>P</b> Bolt (Black)<br/>x 4</p>  <p>M6 x 65mm</p>  | <p><b>Q</b> Flat Washer (Black)<br/>x 4</p>  <p>M6</p> |   |
| <p><b>R</b> Barrel Nut<br/>x 4</p>  <p>M6</p>           | <p><b>S</b> Bolt<br/>x 8</p>  <p>M6 x 50mm</p>          |   |
| <p><b>T</b> Barrel Nut<br/>x 4</p>  <p>M8</p>           | <p><b>U</b> Bolt<br/>x 12</p>  <p>M8 x 70mm</p>         |   |
| <p><b>V</b> Bolt<br/>x 8</p>  <p>M6 x 65mm</p>          | <p><b>W</b> Spring Washer<br/>x 4</p>  <p>M6</p>       |   |

# HARDWARE

|  |   |   |
|--|---|---|
| <p><b>X</b> Bend Washer<br/>x 4</p>               | <p><b>Y</b> Dowel<br/>x 10</p>  <p>M10 x 30mm</p>        | <p><b>Z</b> Adjustable Feet<br/>x 4</p>            |
| <p><b>AA</b> Screw<br/>x 26</p>  <p>M4 x 25mm</p> | <p><b>AB</b> Hex Key Wrench<br/>x 1</p>  <p>M4 x 100</p> | <p><b>AC</b> Hex Key Wrench<br/>x 1</p>  <p>M5</p> |

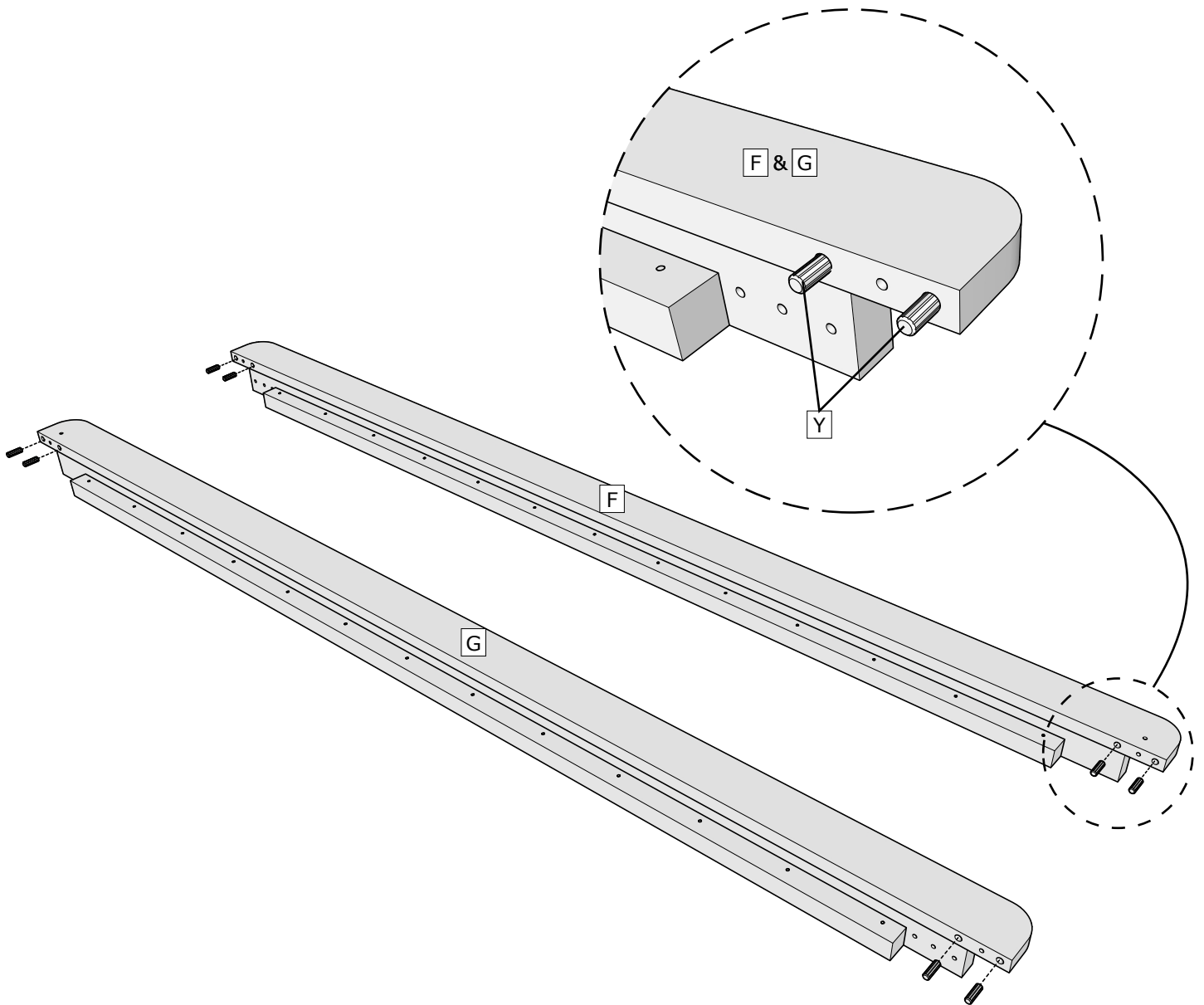
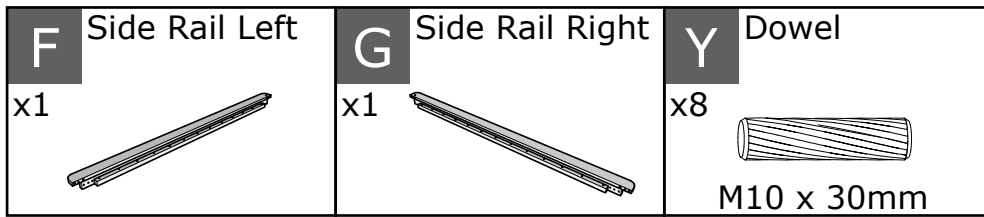
# BED ASSEMBLY STEP 1

|  |  |  |  |
|--|--|--|--|
| <b>A</b><br>Headboard<br>Left<br>x1<br> | <b>B</b><br>Headboard<br>Right<br>x1<br>  | <b>L</b><br>Bolt<br>x3<br><br>M6 x 110mm             | <b>M</b><br>Joint<br>Connector<br>x3<br><br>M6 x 20mm |
| <b>N</b><br>Flat Washer<br>x3<br><br>M6 | <b>Y</b><br>Dowel<br>x2<br><br>M10 x 30mm | <b>AB</b><br>Hex Key<br>Wrench<br>x1<br><br>M4 x 100 |  |



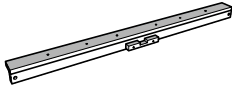
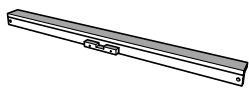

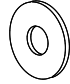
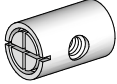


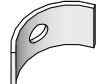


Attach **A** and **B** with **L**, **M**, **N**, and **Y** using a Hex Key Wrench **AB** as shown.

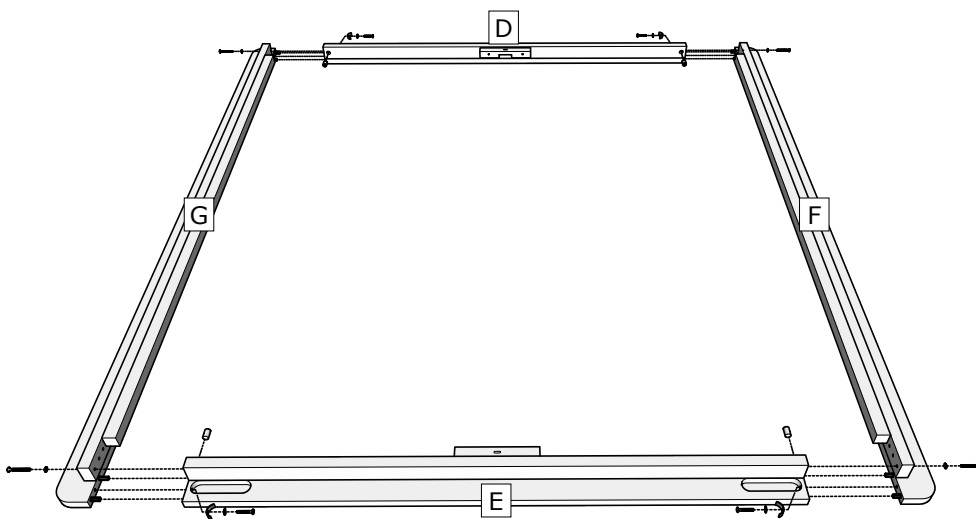
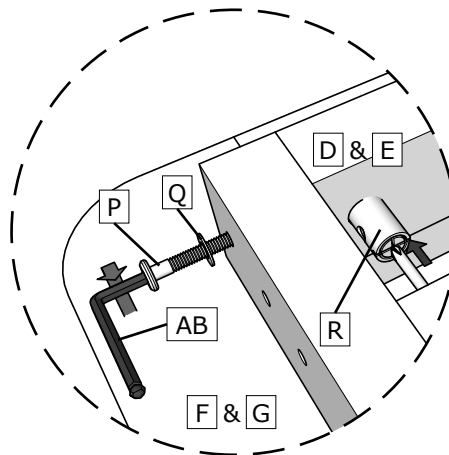
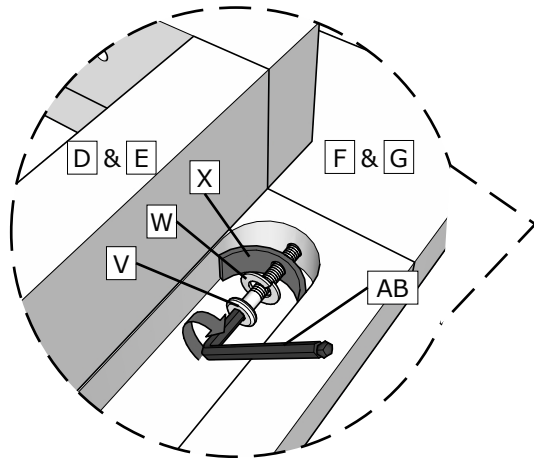
# BED ASSEMBLY STEP 2



Insert **Y** into **F** and **G** as shown.

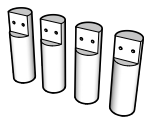

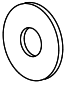

# BED ASSEMBLY STEP 3

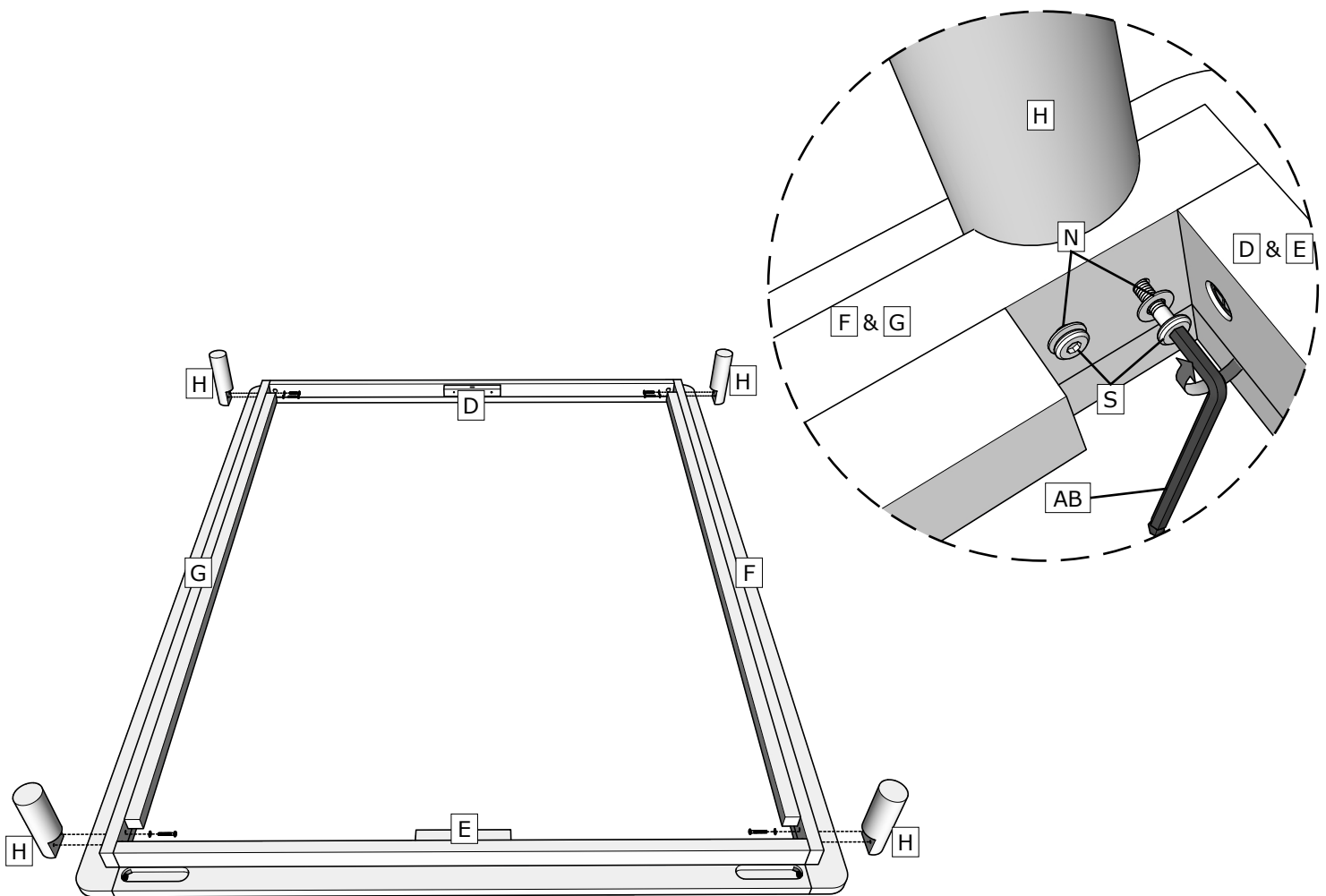
|   |  |  |   |
|---|--|--|---|
| <b>D</b> Headboard Bottom Rail<br>x1<br>       | <b>E</b> Footboard<br>x1<br>            | <b>P</b> Bolt (Black)<br>x4<br><br>M6 x 65mm | <b>Q</b> Flat Washer (Black)<br>x4<br><br>M6 |
| <b>R</b> Barrel Nut<br>x4<br><br>M6            | <b>V</b> Bolt<br>x4<br><br>M6 x 65mm    | <b>W</b> Spring Washer<br>x4<br><br>M6       | <b>X</b> Bend Washer<br>x4<br>               |
| <b>AB</b> Hex Key Wrench<br>x1<br><br>M4 x 100 | Philips Screwdriver<br><br>Not provided |  |   |



Attach **F** and **G** to **D** and **E** with **V**, **W**, and **X** with Hex Key Wrench **AB** as shown.  
 Affix **P**, **Q** and **R** to Assembled Bed Frame with Hex key Wrench **AB** and a Screwdriver as shown.

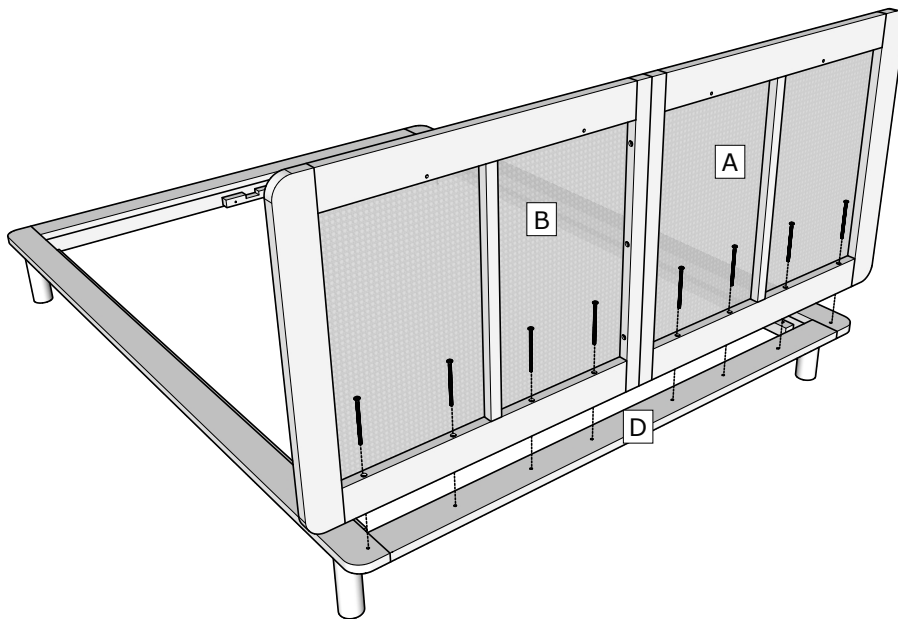
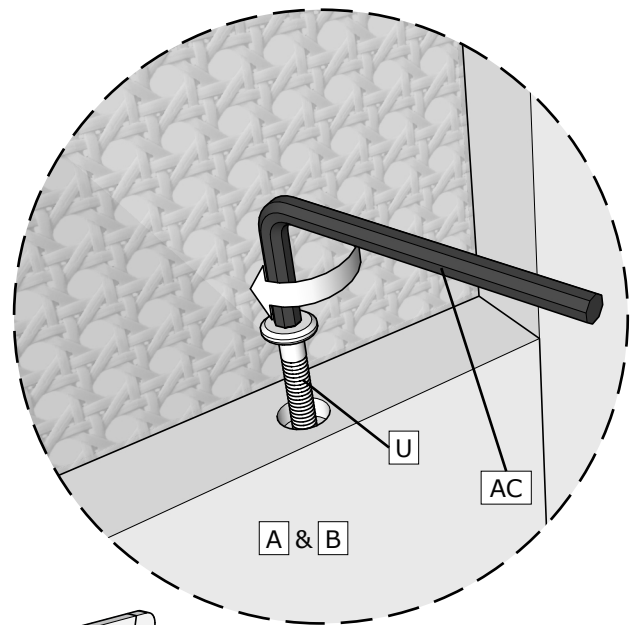
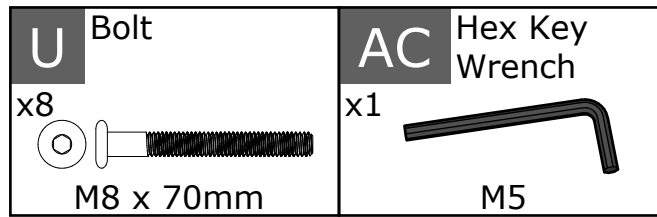
# BED ASSEMBLY STEP 4

|   |   |   |   |
|---|---|---|---|
| <b>H</b> Leg<br>x4<br> | <b>S</b> Bolt<br>x8<br>M6 x 50mm<br> | <b>N</b> Flat Washer<br>x8<br>M6<br> | <b>AB</b> Hex Key Wrench<br>x1<br>M4 x 100<br> |
|---|---|---|---|



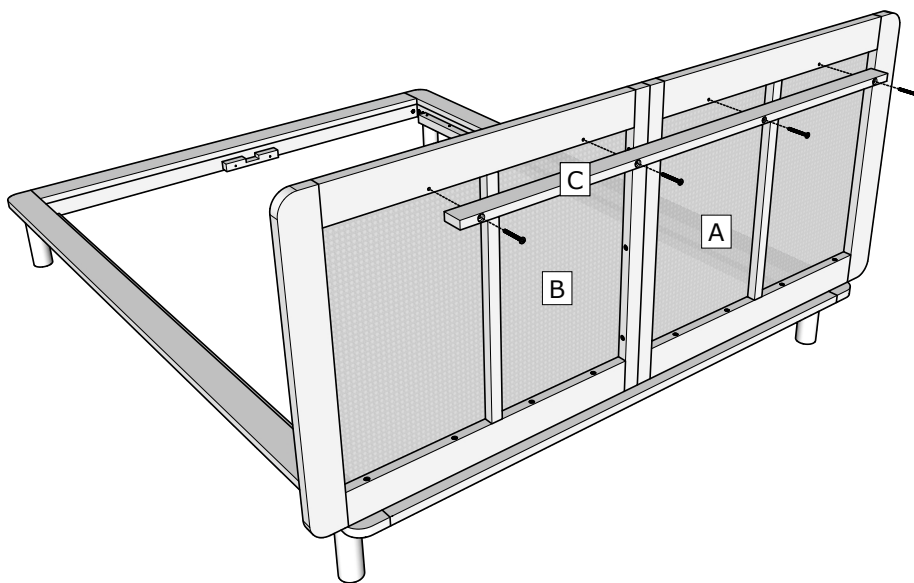
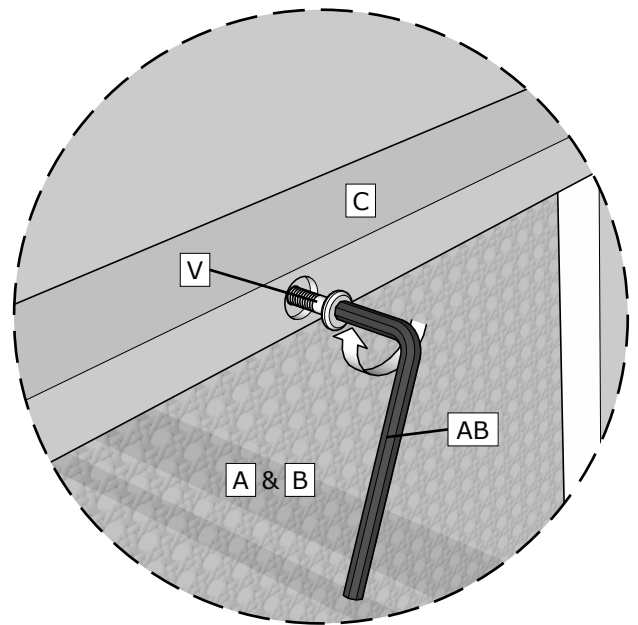
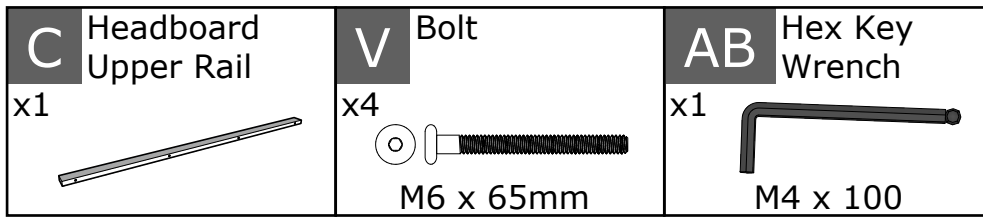
Attach **H** to Assembled Bed with **N** and **S** using a Hex Key Wrench **AB** as shown.

# BED ASSEMBLY STEP 5




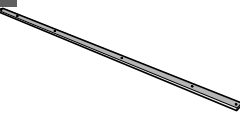
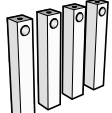
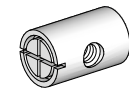
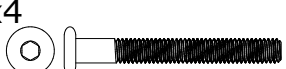
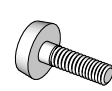


Attach Assembled Headboard to Assembled Bed with **U** using a Hex Key Wrench **AC** as shown.

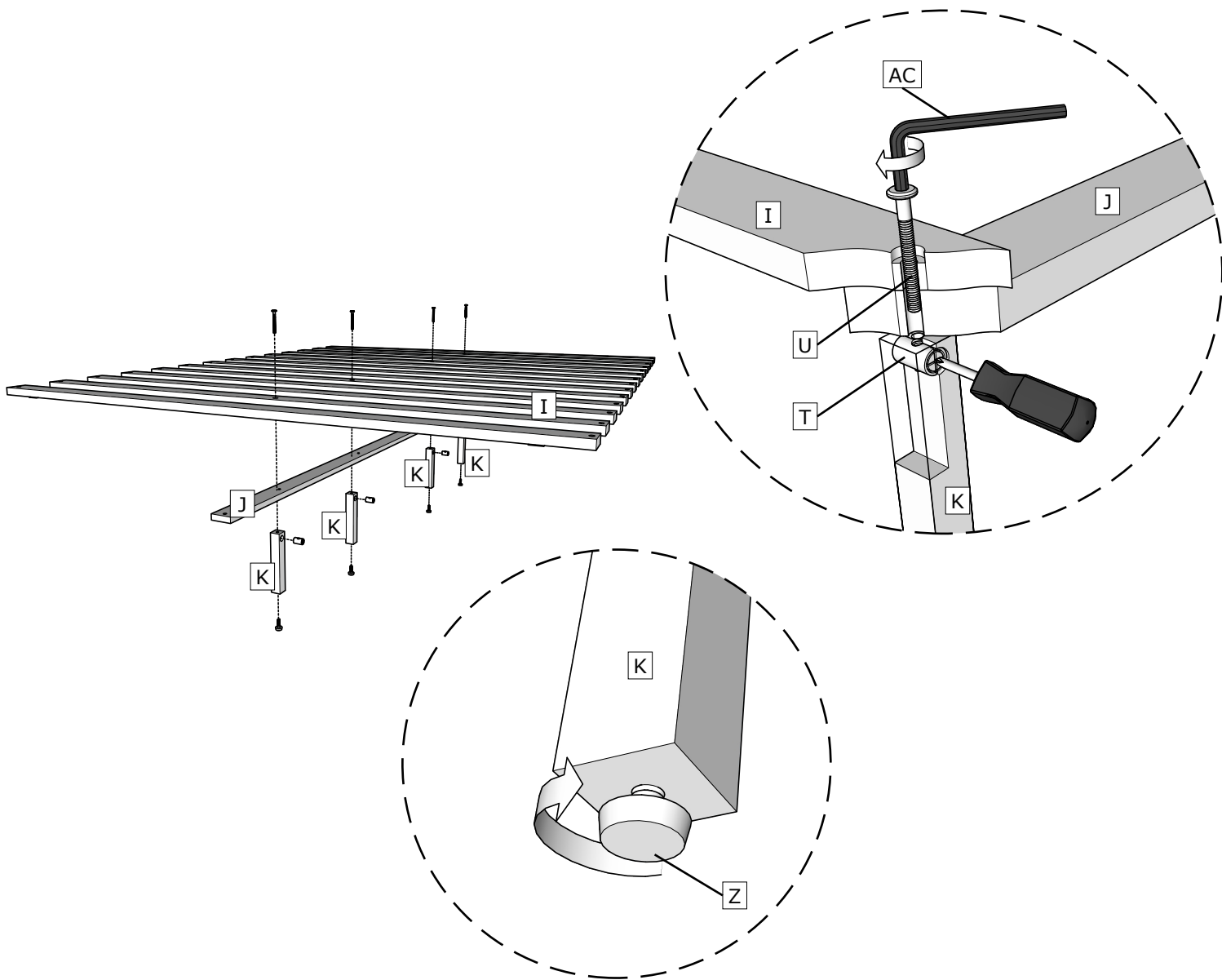
# BED ASSEMBLY STEP 6



Attach **C** to Assembled Headboard with **V** using a Hex Key Wrench **AB** as shown.


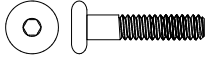




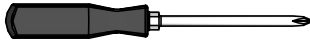
# BED ASSEMBLY STEP 7

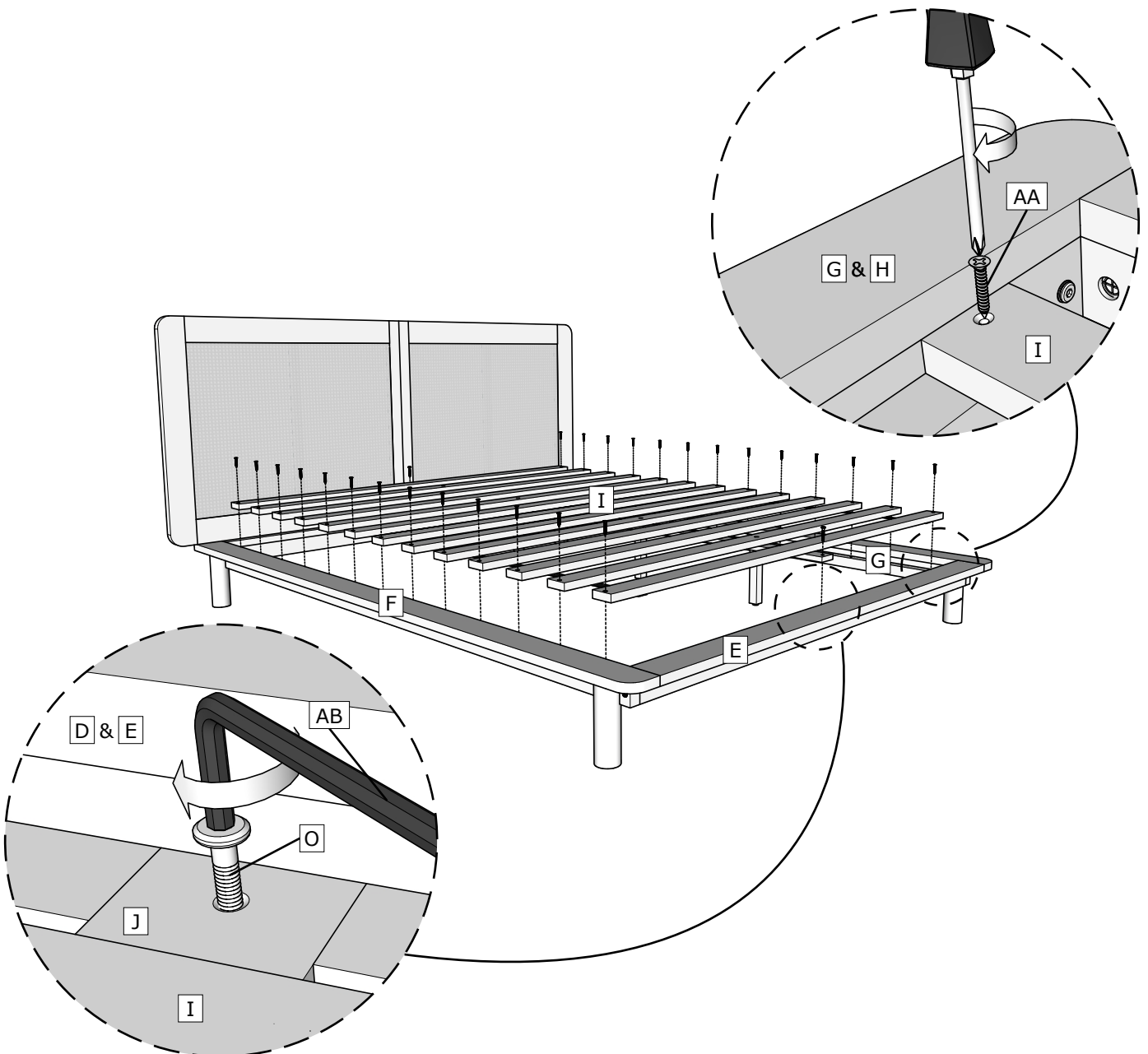
|   |   |  |  |
|---|---|--|--|
| <b>I</b> Bed Slat<br>x13<br>         | <b>J</b> Slat Support<br>x1<br>    | <b>K</b> Support Leg<br>x4<br>           | <b>T</b> Barrel Nut<br>x4<br>M8<br>     |
| <b>U</b> Bolt<br>x4<br>M8 x 70mm<br> | <b>Z</b> Adjustable Feet<br>x4<br> | <b>AC</b> Hex Key Wrench<br>x1<br>M5<br> | Philips Screwdriver<br><br>Not provided |



Attach **Z** to **K** as shown.  
Attach **K** and **I** to **J** with **T** and **U** using a Hex Key Wrench **AC** as shown.

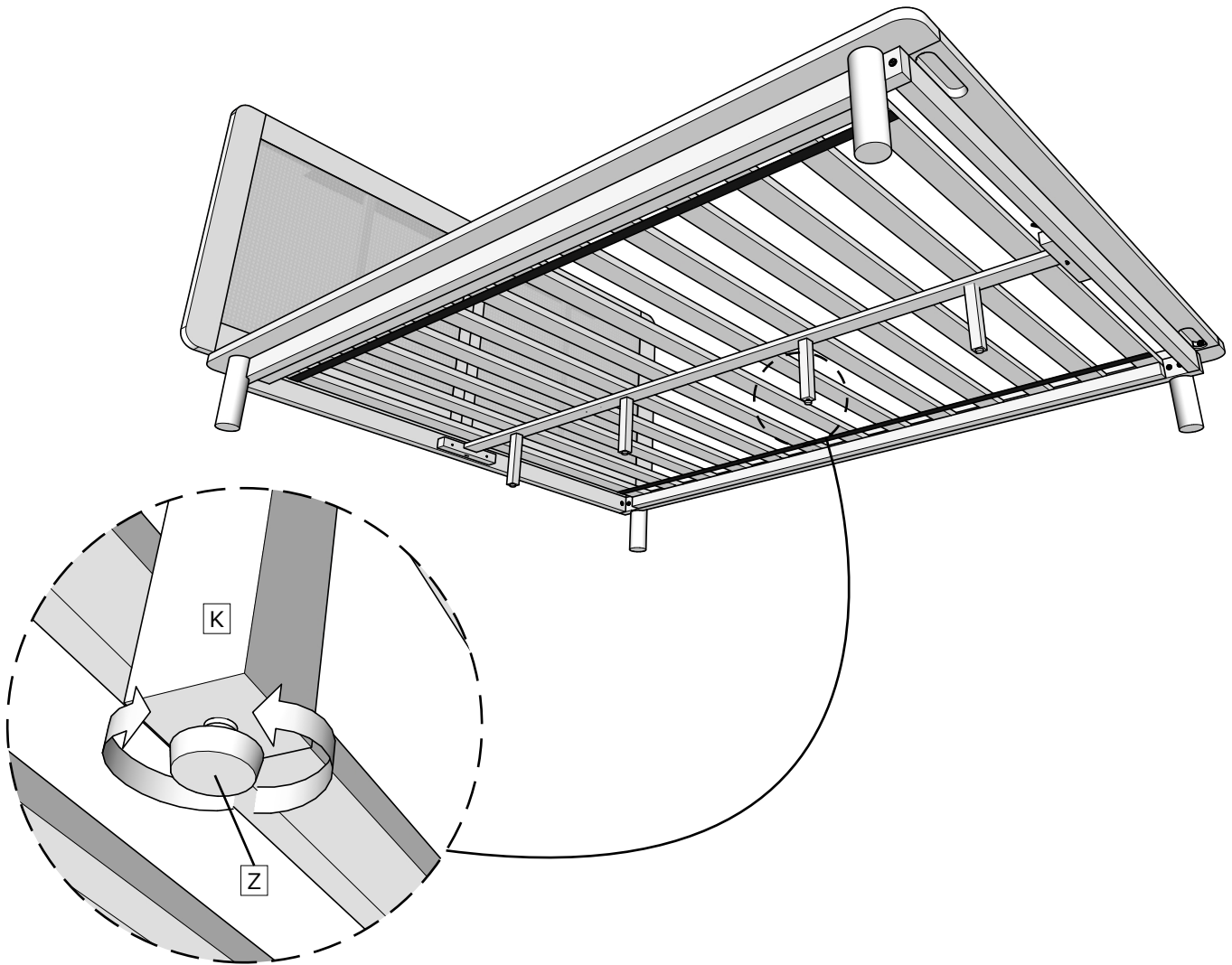
# BED ASSEMBLY STEP 8

|   |  |  |  |
|---|--|--|--|
|  <b>O</b> Bolt<br>x2<br><br>M6 x 30mm |  <b>AA</b> Screw<br>x26<br><br>M4 x 25mm |  <b>AB</b> Hex Key Wrench<br>x1<br><br>M4 x 100 | Philips Screwdriver<br><br>Not provided |
|---|--|--|--|



Attach Assembled Bed Slat to Assembled Bed with **O** using a Hex Key Wrench **AB** as shown.  
Affix **AA** to Assembled Bed Slat to Assembled Bed using a Screwdriver as shown.

# BED ASSEMBLY STEP 9



## **WARNING!**

- Make Sure that Adjustable Feet are perpendicular to the floor before using the bed. Rotate Adjustable Feet clockwise or counter clockwise until it is firmly against the floor.
- Do not drag or push the bed frame. To ensure safe moving, always use two people to lift and re-position the bed frame. Avoid dragging or pushing it across the floor to prevent damage to the legs, slats, and center support legs.