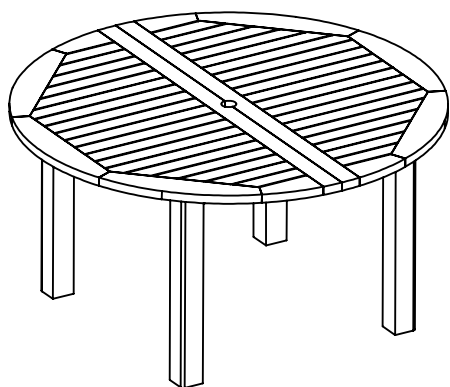
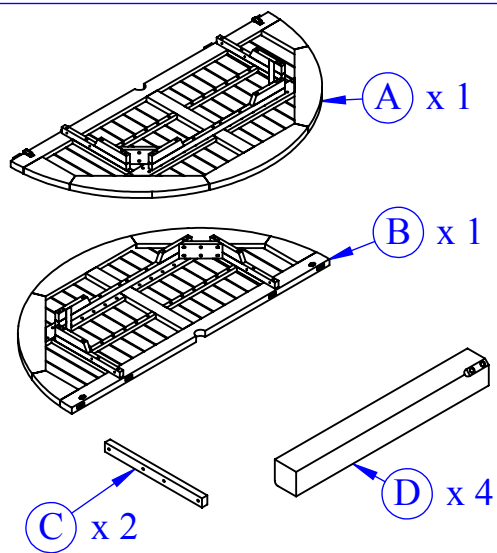






# ASSEMBLY INSTRUCTION



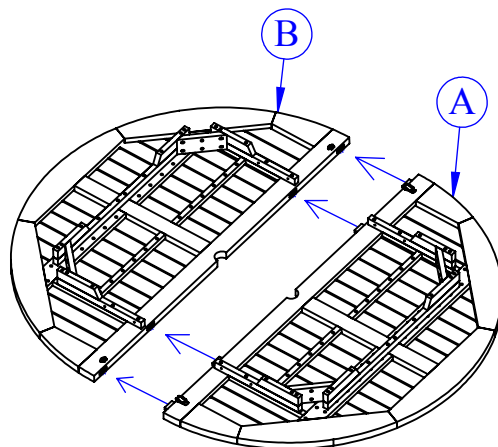
## COMPONENT LIST



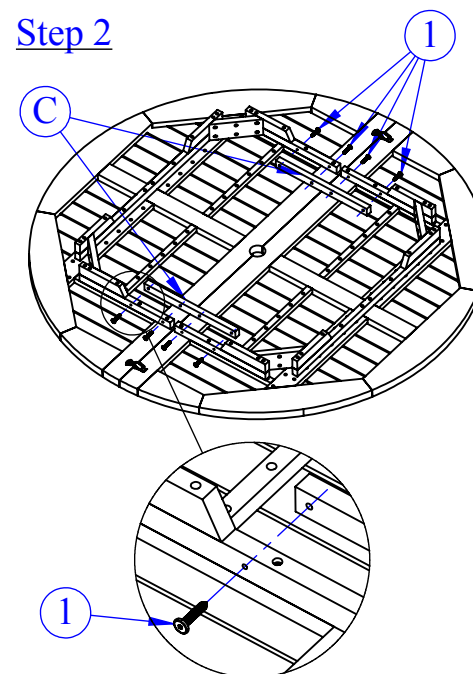
## HARDWARE LIST

①		7x40x15	8 Pcs
②		M8x60x15	8 Pcs
③		Ø8 x 16 x 1	8 Pcs
④		M4	1 Pc

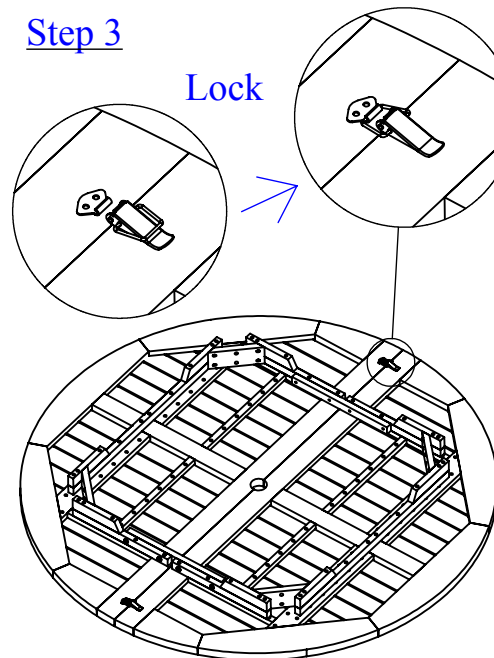
### Step 1



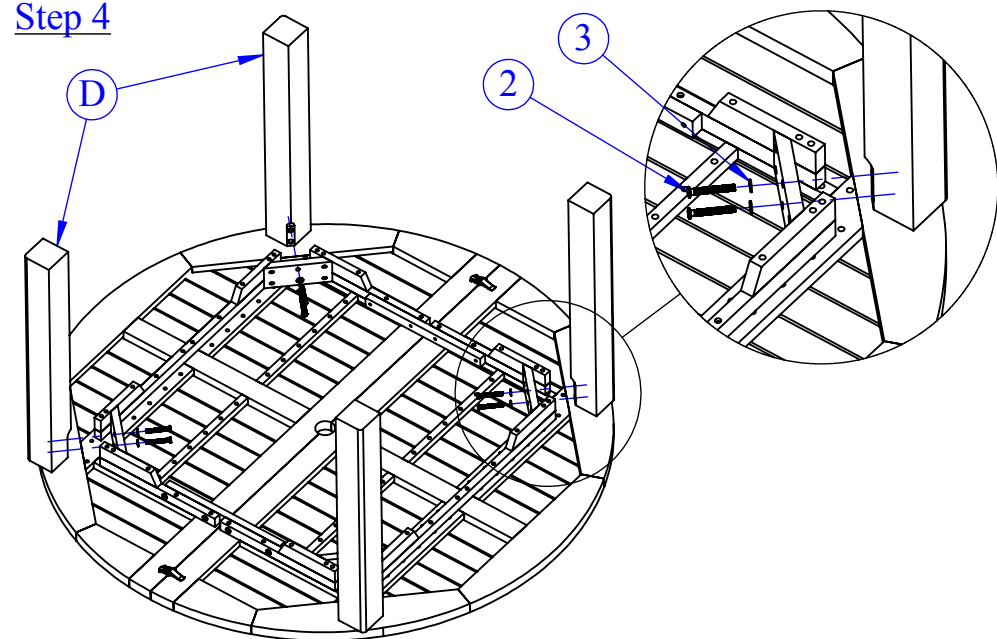
### Step 2



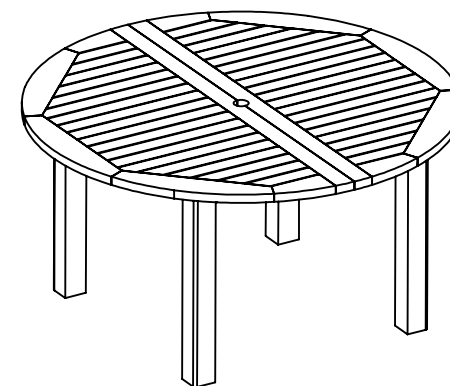
### Step 3



### Step 4



### Finish



**Refer to [www.patiowise.com](http://www.patiowise.com) for assembly video on the product page for Large Round Table**

**NOTE:**

- Read all instructions before starting
- Do not tighten using power tools
- No additional tools required
- Do not completely tighten any bolts until the unit is fully assembled and sitting on a level surface

Thank you for purchasing this product. With some simple care and maintenance, you'll be able to enjoy this product for many years.

This product has been treated with an oil based sealer. If used outdoors, we recommend re-sealing this product with an oil-based water-proof sealer each season to increase it's life expectancy and maintain it's original look. Cover this product or move it indoors during harsh weather to prevent excessive weathering.

**Warnings!!**

- Use care when assembling or moving this product to avoid personal injury
- Always check for cracks or damage before using. If any are detected DO NOT USE
- Always make sure table is placed on level surface
- Never stand or sit on table
- Maximum weight is 200 LBS. Never exceed that weight
- Do not use use table when under the influence of alcohol or drugs
- Seller is not responsible for any injuries that may occur when using this table

**Warranty**

- One year limited warranty due to manufacturers defects
- For technical assistance please email **[service@patiowise.com](mailto:service@patiowise.com)**