

1 UNIT ASSEMBLY

AA

BB

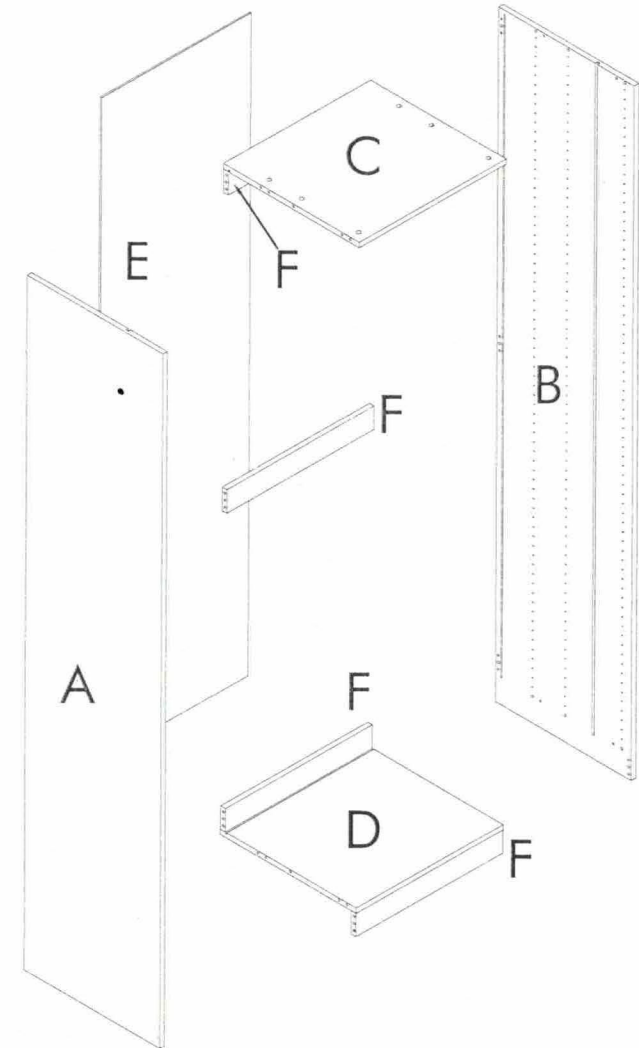
CC



(20)

(20)

(24)

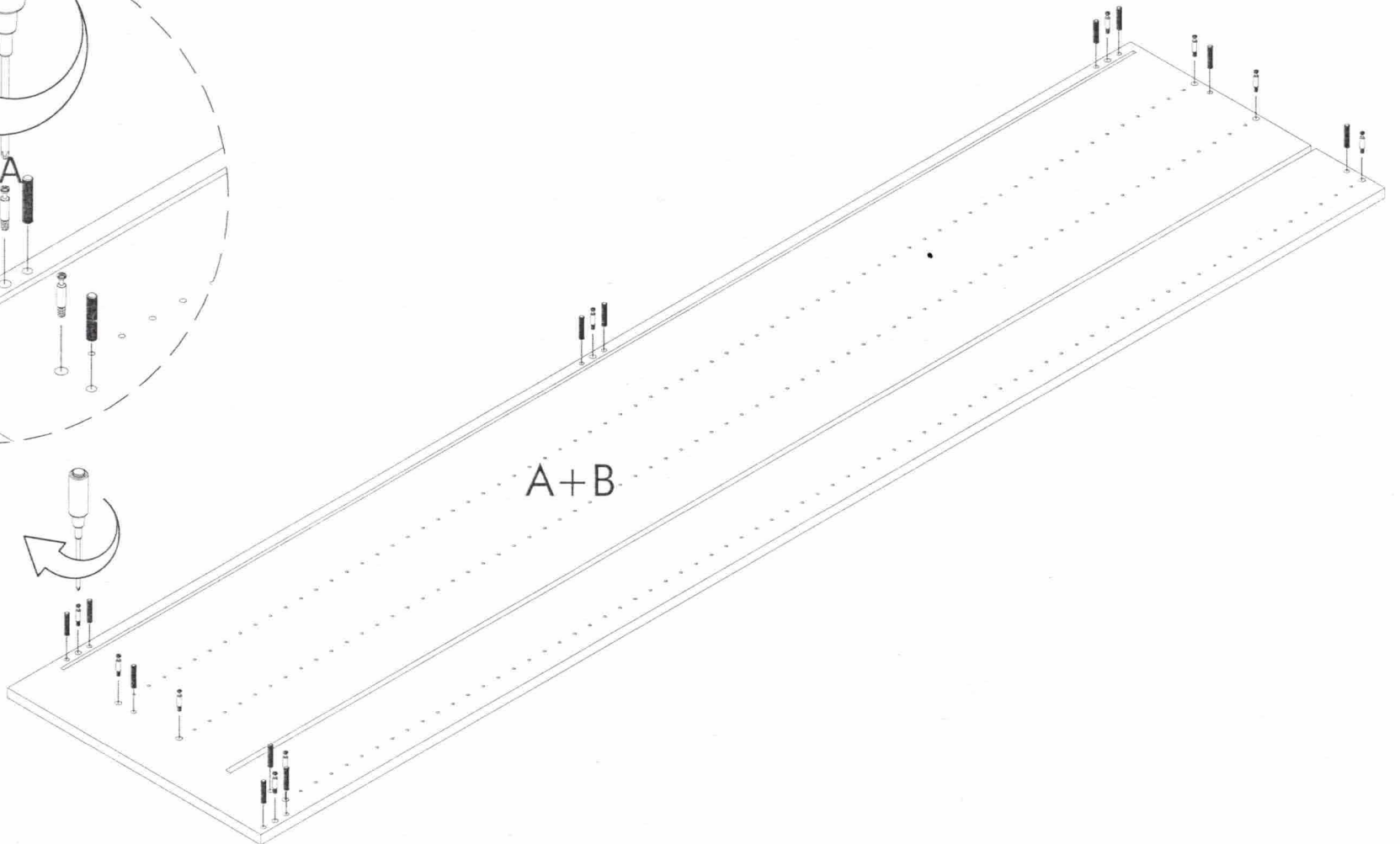
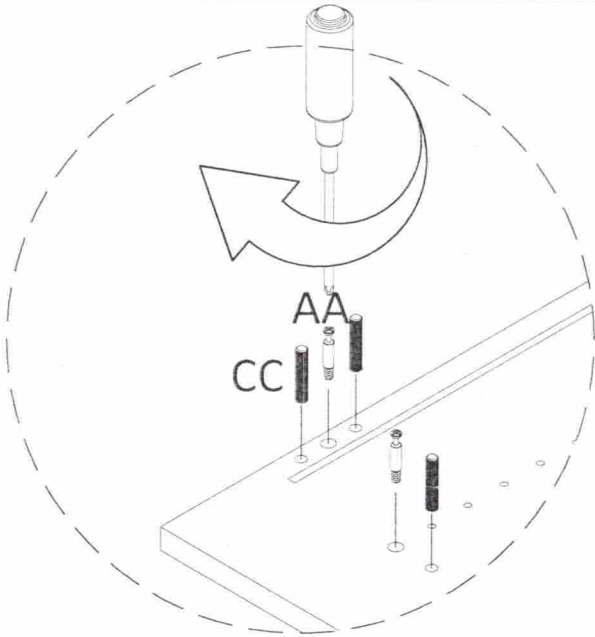


PART LIST		Qty	HARDWARE		Qty
A	Left Side Panel	(1)	AA	Cam Bolt	(20)
B	Right Side Panel	(1)	BB	Cam Lock Nut	(20)
C	Top Panel	(1)	CC	Dowel Wood	(24)
D	Bottom Panel	(1)			
E	Back Panel	(1)			
F	Connection Panel	(4)			

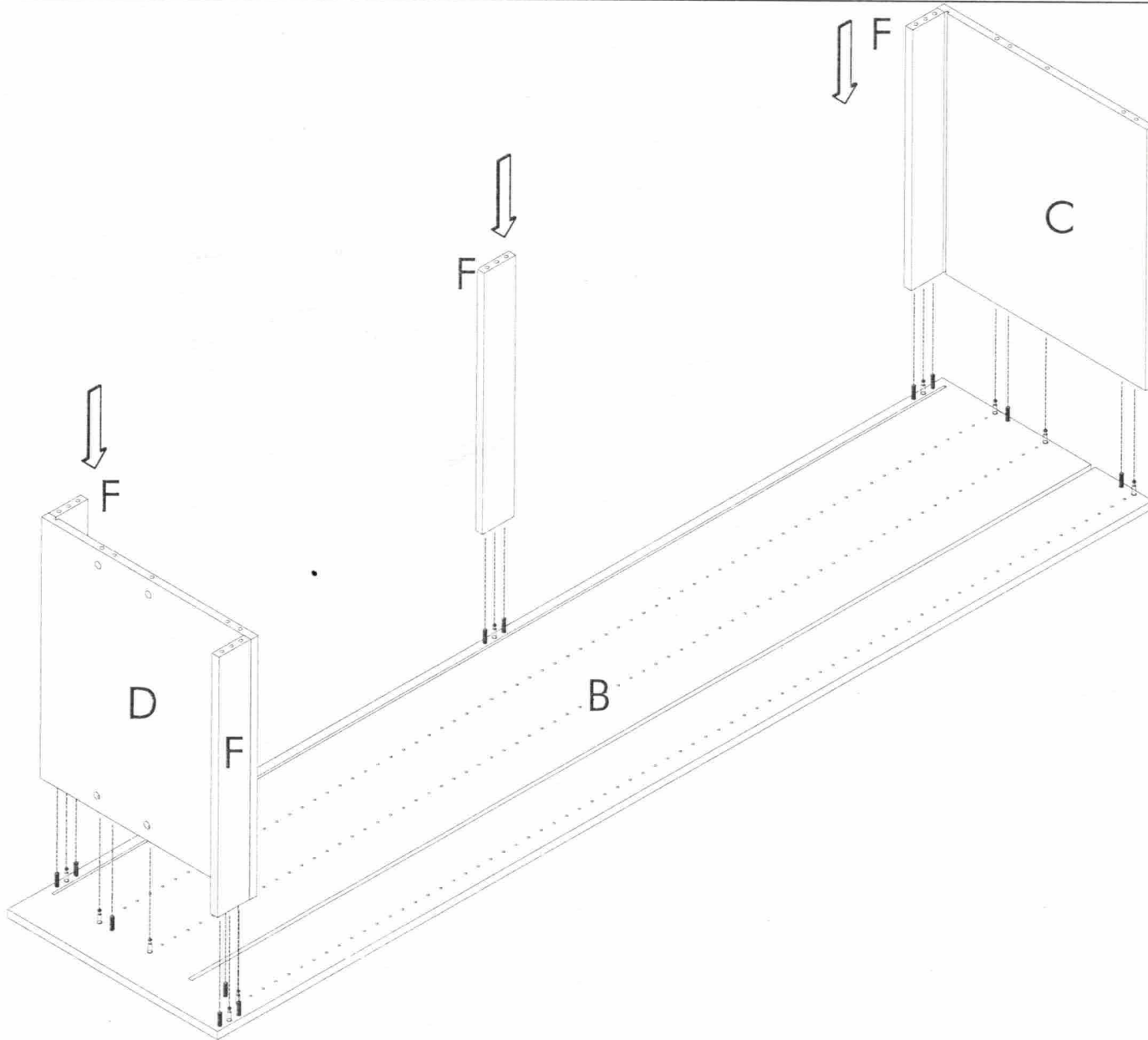
2 UNIT ASSEMBLY

CC
(24)

AA
(20)



3 UNIT ASSEMBLY

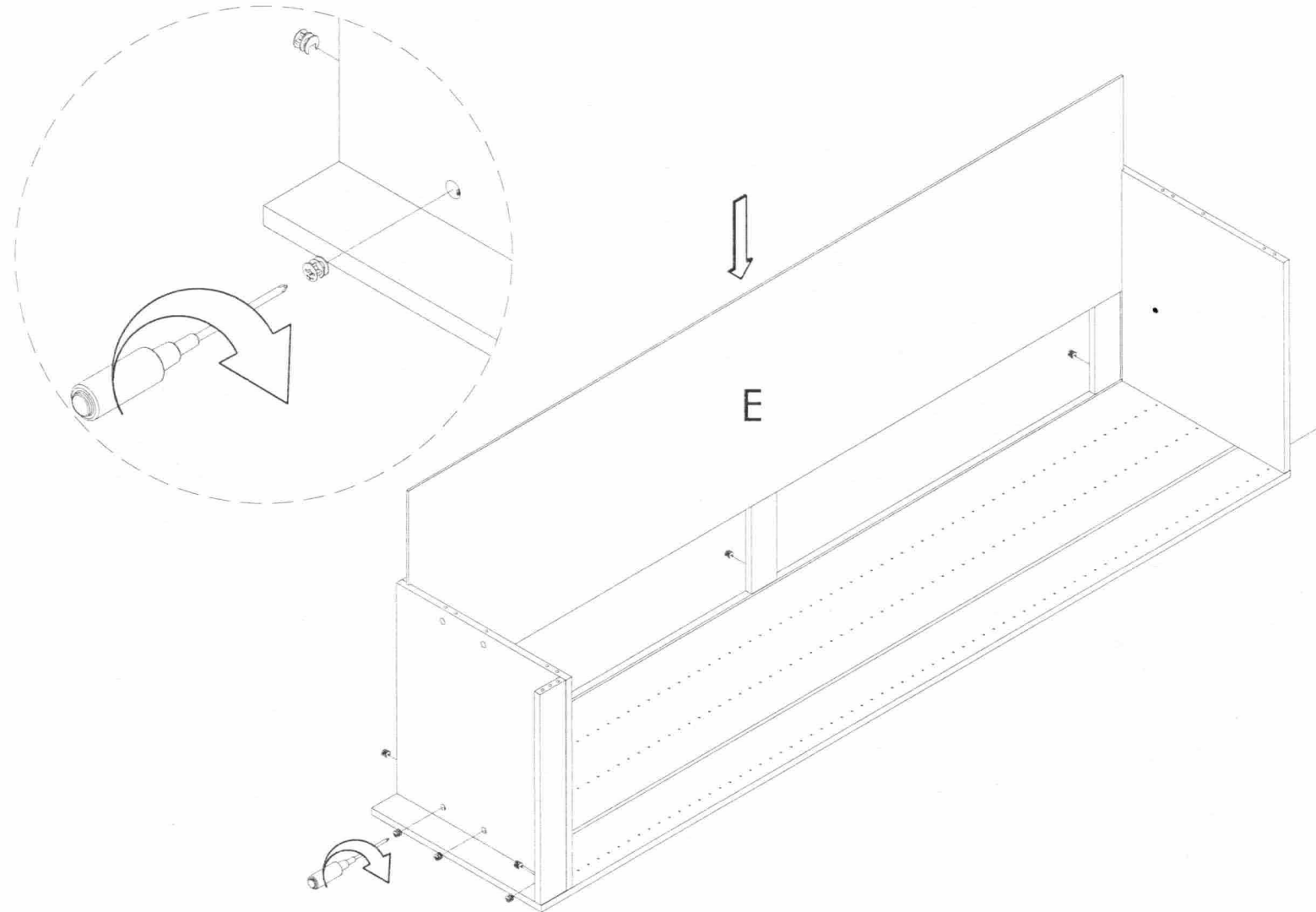
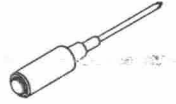


4 UNIT ASSEMBLY

BB



(10)

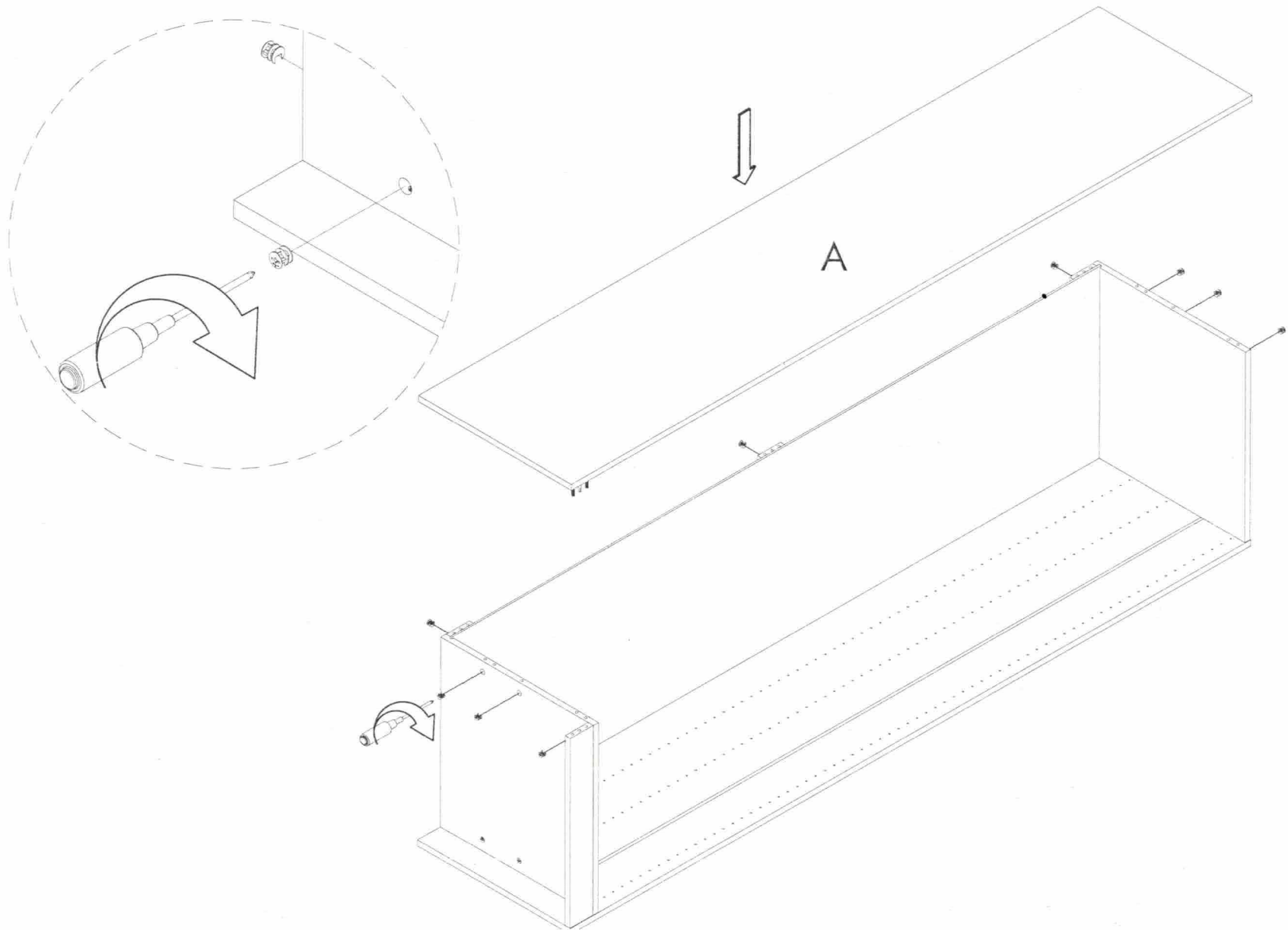
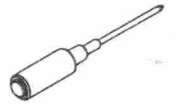


5 UNIT ASSEMBLY

BB



(10)



6 UNIT ASSEMBLY

