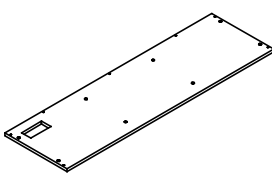
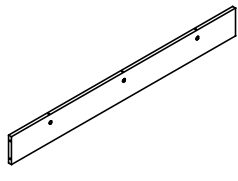
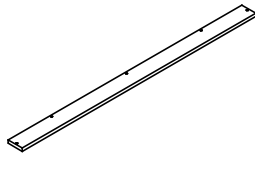
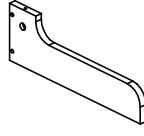
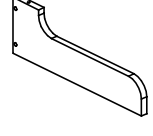
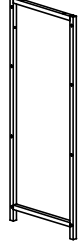
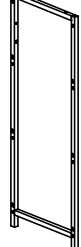

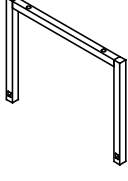
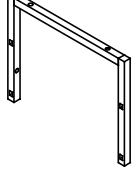
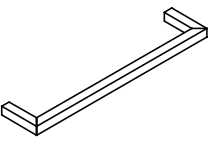
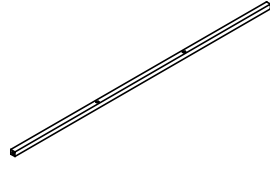
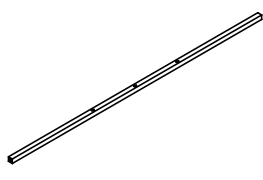
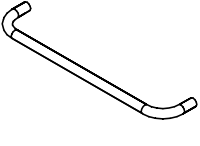
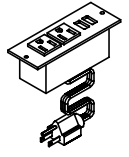
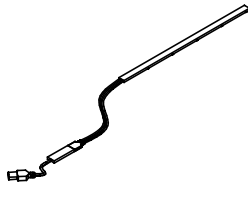

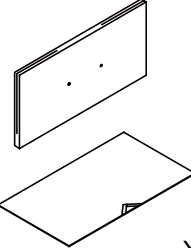
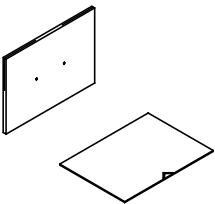
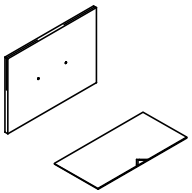
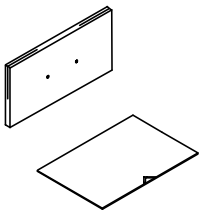

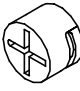

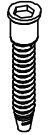


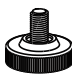


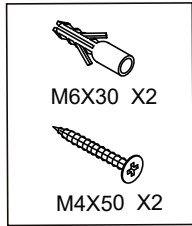
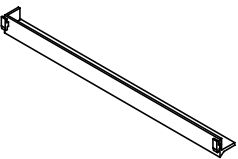
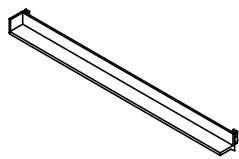
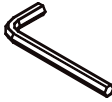

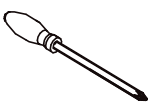
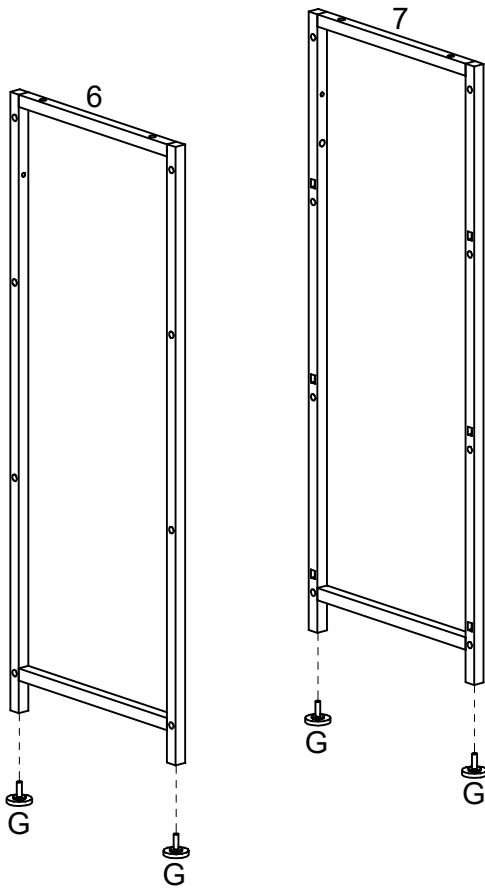


Assembling Instruction

Attention: Do not tighten the screws until all of them are in right positions

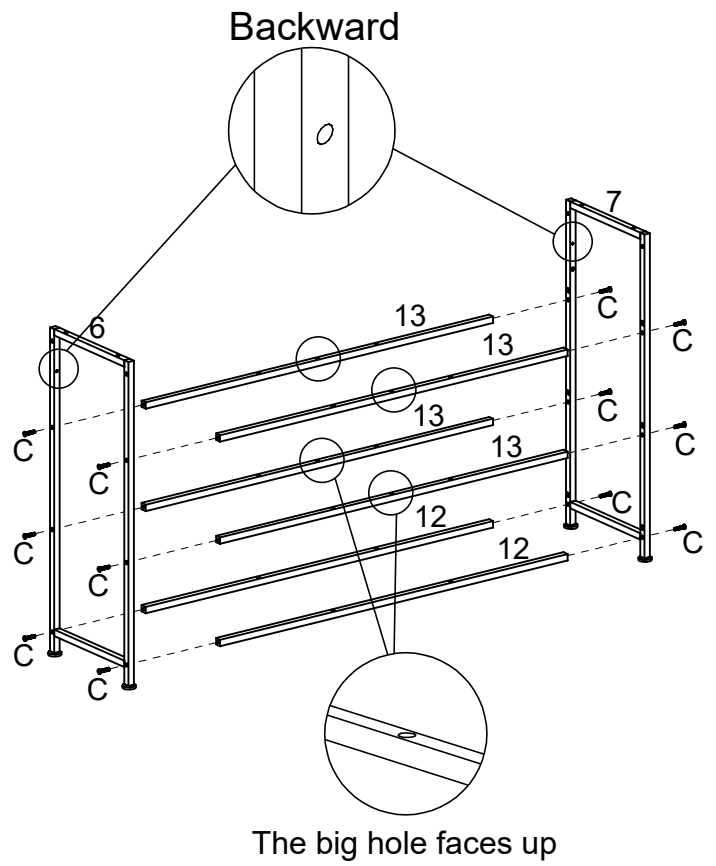
<p>1</p>  <p>X1</p>	<p>2</p>  <p>X1</p>	<p>3</p>  <p>X1</p>	<p>4</p>  <p>X1</p>	<p>5</p>  <p>X1</p>
<p>6</p>  <p>X1</p>	<p>7</p>  <p>X1</p>	<p>8</p>  <p>X6</p>	<p>9</p>  <p>X1</p>	<p>10</p>  <p>X1</p>
<p>11</p>  <p>X1</p>	<p>12</p>  <p>X2</p>	<p>13</p>  <p>X4</p>	<p>14</p>  <p>X1</p>	<p>15</p>  <p>X1</p>
<p>16</p>  <p>X1</p>	<p>17</p>  <p>X3</p>	<p>18</p>  <p>X2</p>	<p>19</p>  <p>X4</p>	<p>20</p>  <p>X1</p>
<p>21</p>  <p>X2</p>	<p>A</p>  <p>X5</p>	<p>B</p>  <p>X5</p>	<p>C</p>  <p>M6X23 X40</p>	<p>D</p>  <p>M5X40 X11</p>
<p>E</p>  <p>M4X10 X18</p>	<p>F</p>  <p>M4X12 X2</p>	<p>G</p>  <p>M6 X4</p>	<p>H</p>  <p>X9</p>	<p>J</p>  <p>X6</p>
<p>K</p>  <p>M6X30 X2 M4X50 X2</p> <p>X1</p>	<p>L</p>  <p>X9</p>	<p>R</p>  <p>X9</p>	<p>M4</p>  <p>M3</p> 	

1



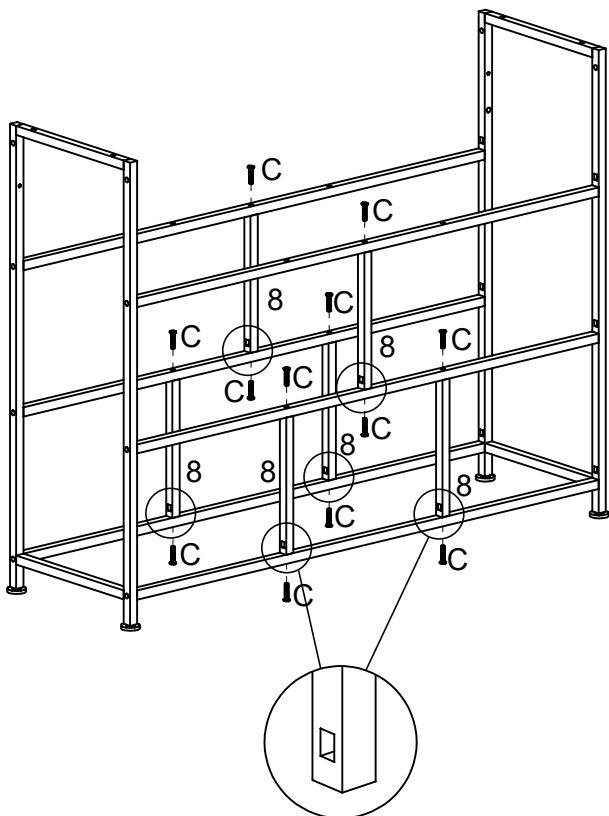
G M6 X4

2



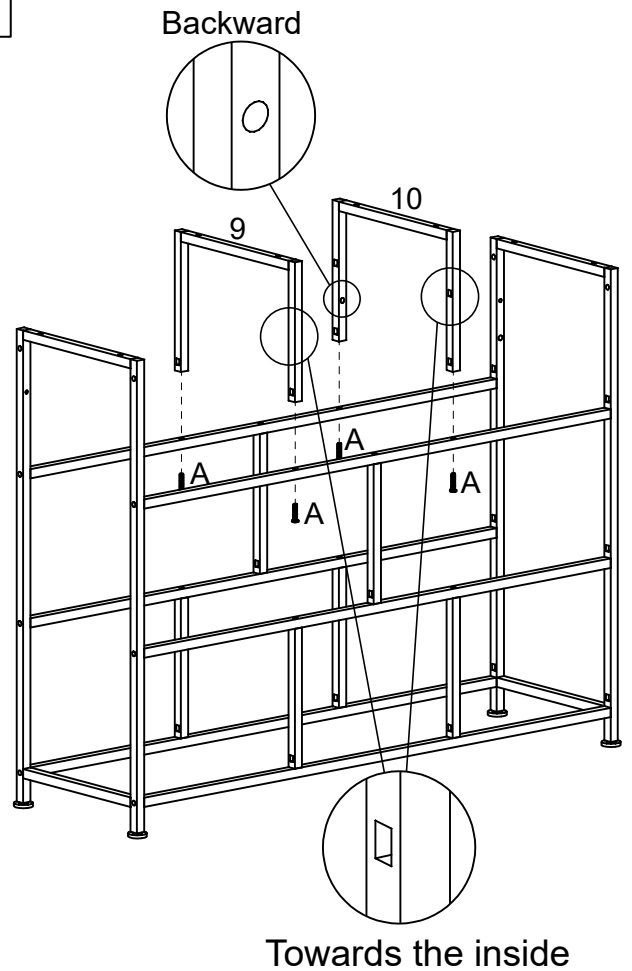
C M6X23 X12

3



C M6X23 X12

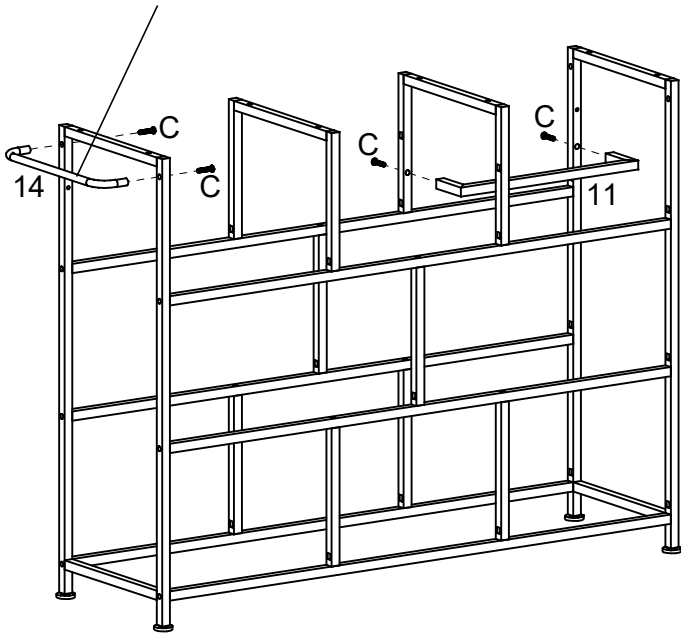
4



C M6X23 X4

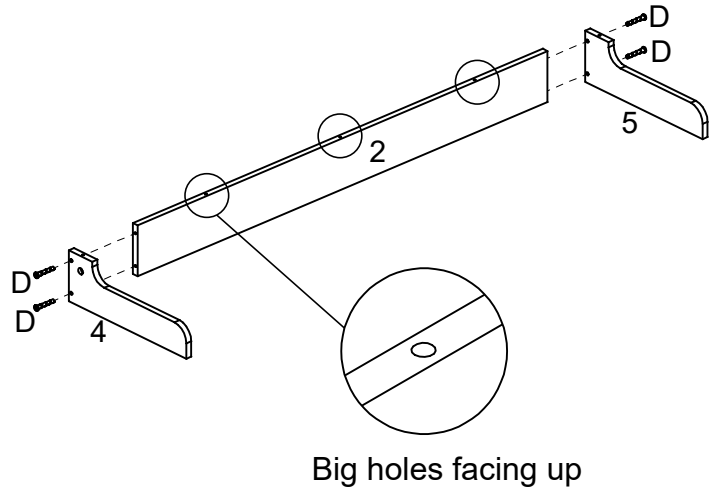
5

Part 14 is interchangeable



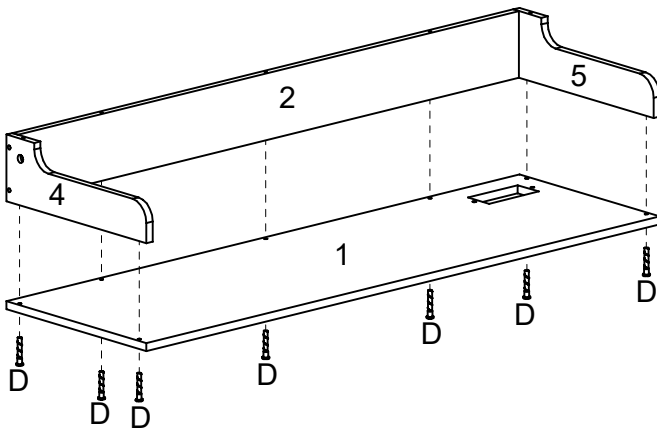
C	M6X23	X4
---	-------	----

6



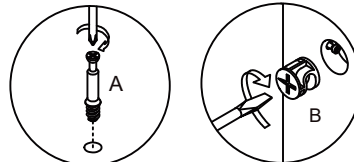
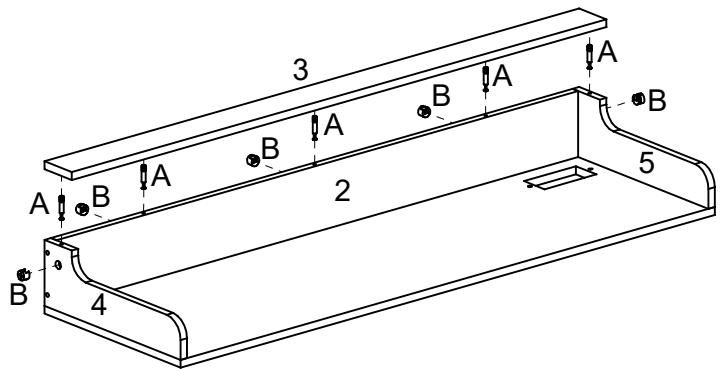
D	M5X40	X4
---	-------	----

7



D	M5X40	X7
---	-------	----

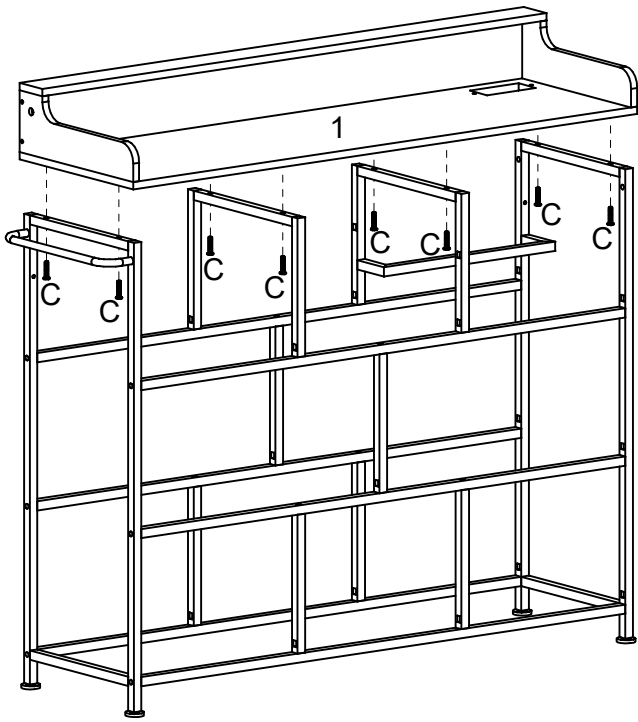
8



When part B is put into the hole, the notch above it is first aligned with part A, and then clockwise tighten part B.

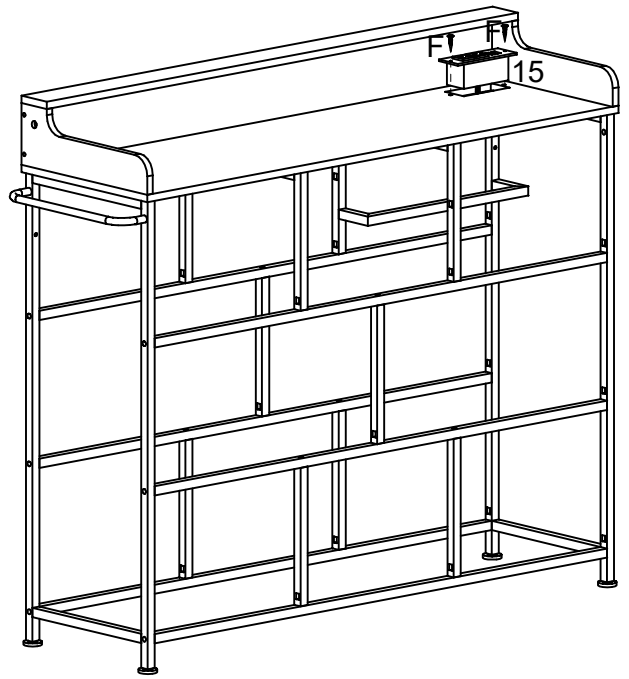
A		X5
B		X5

9



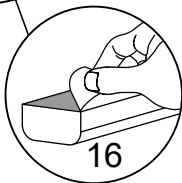
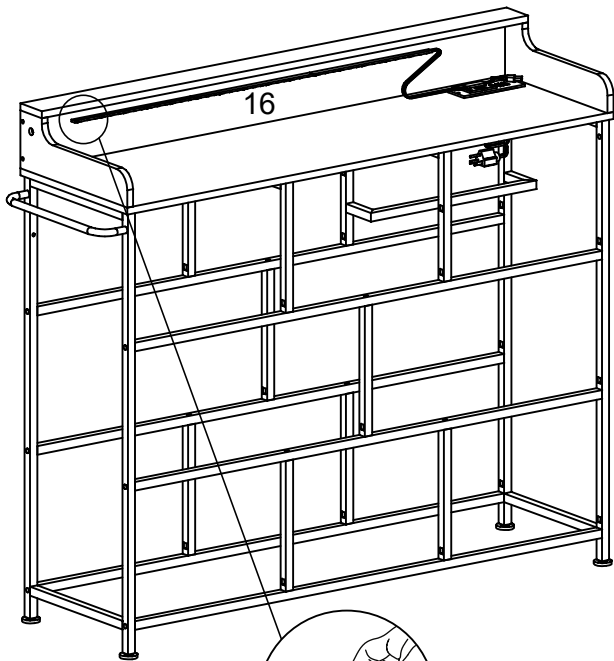
C	M6X23	X8
---	-------	----

10



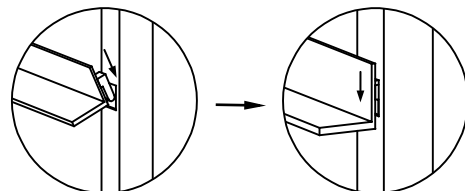
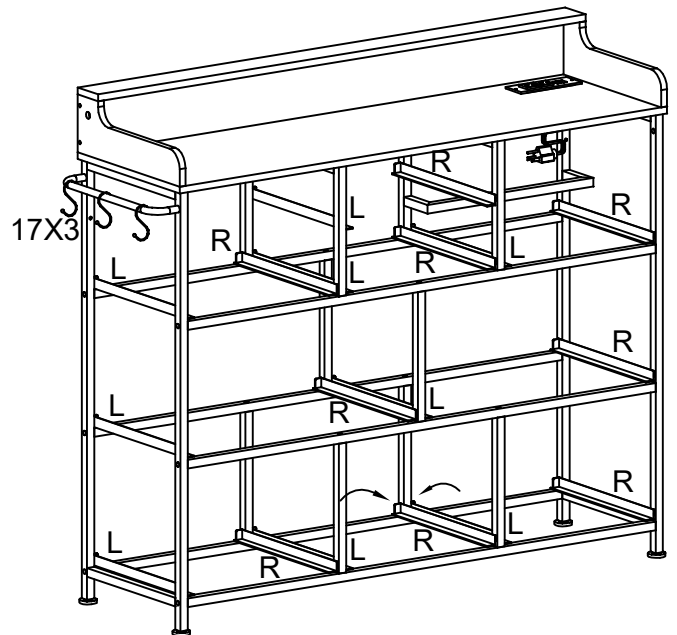
F	M4X12	X2
---	-------	----

11



Rip the protective paper

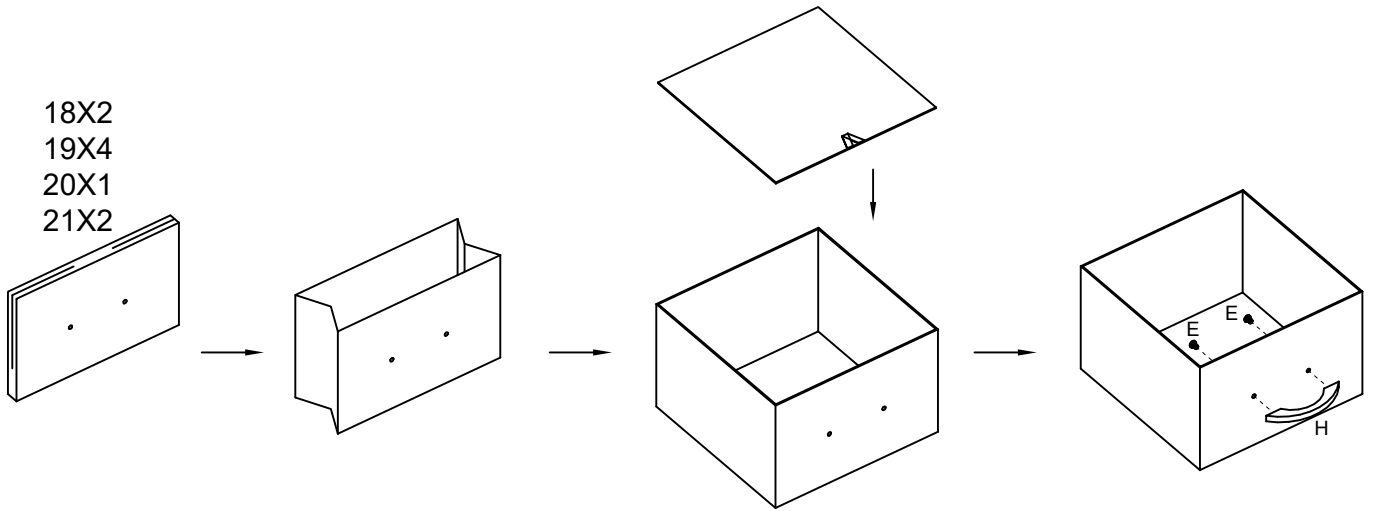
12



L		X9
R		X9

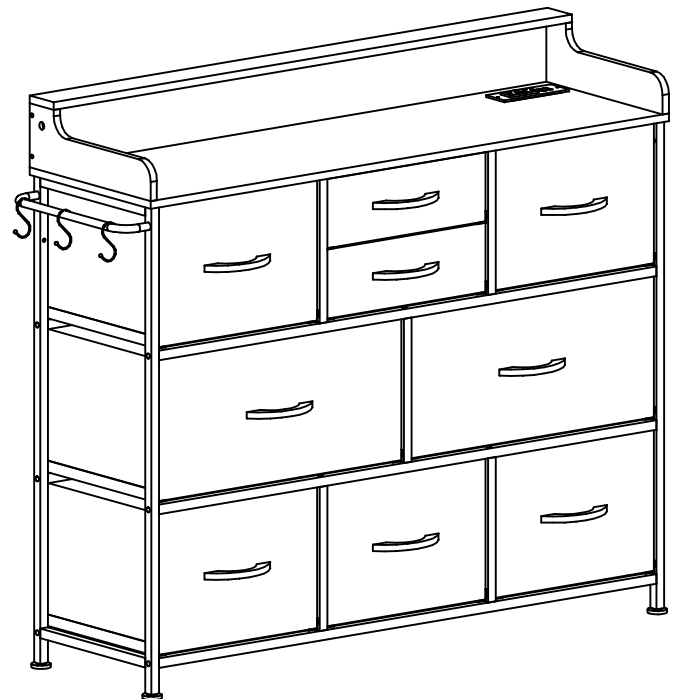
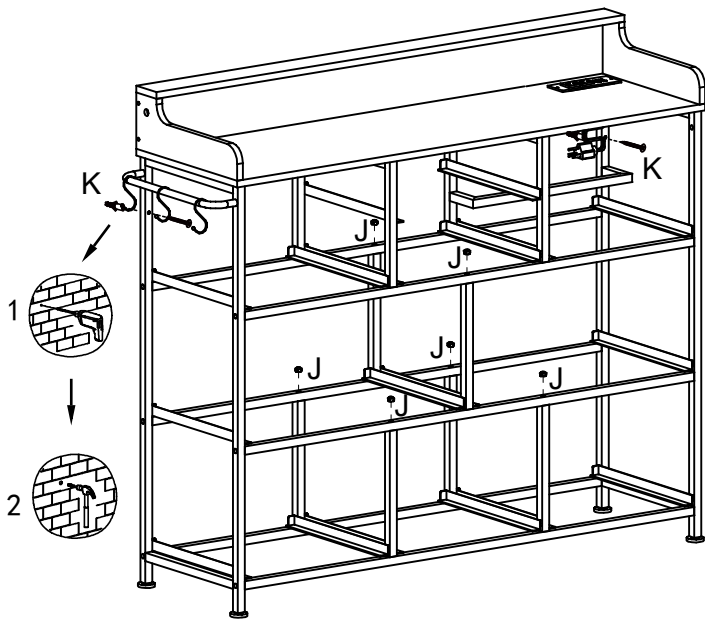
13

18X2
19X4
20X1
21X2



E	M4X10	X18
H		X9

14



J		X6
K		X1