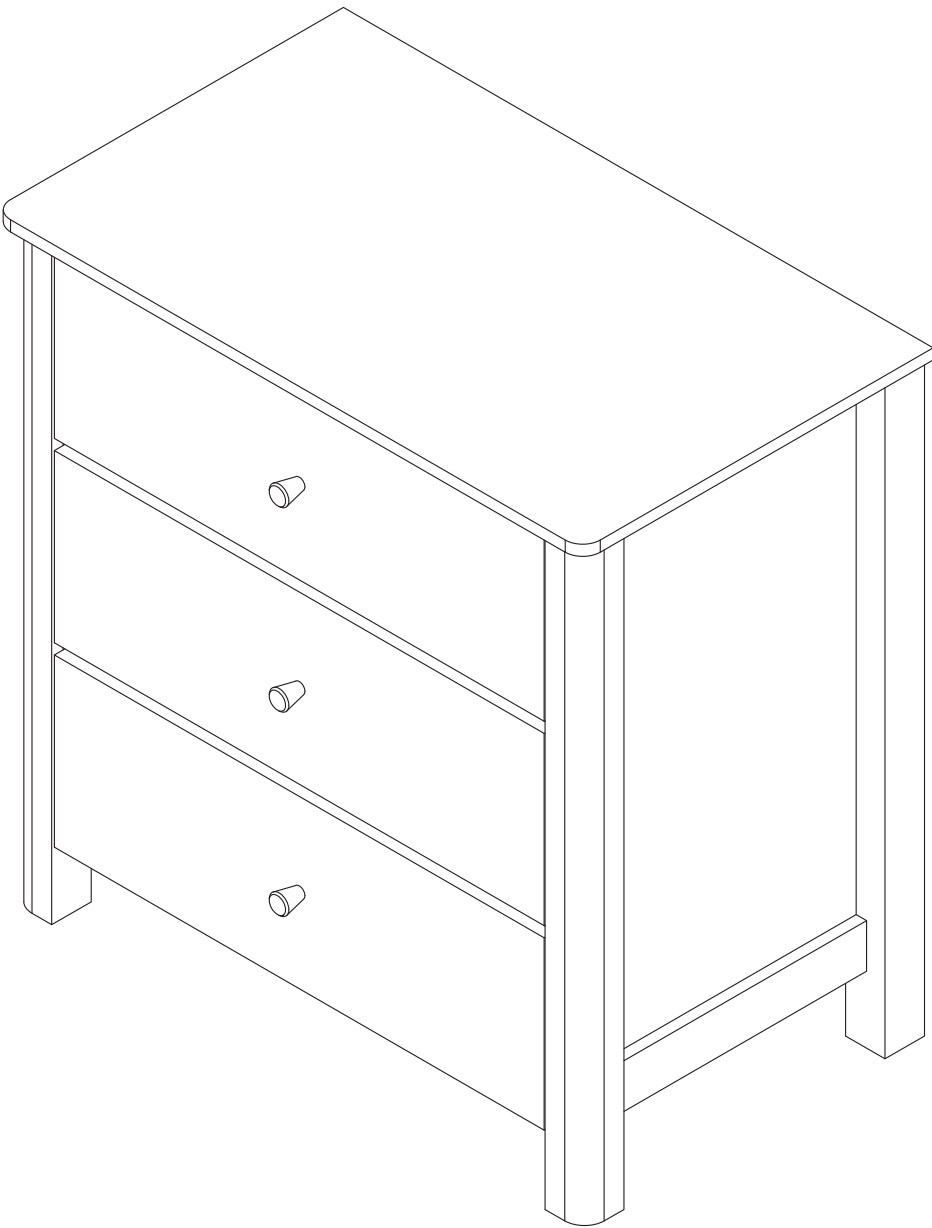


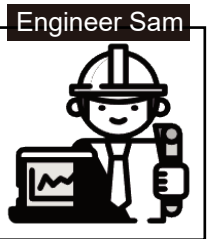
ASSEMBLY INSTRUCTION



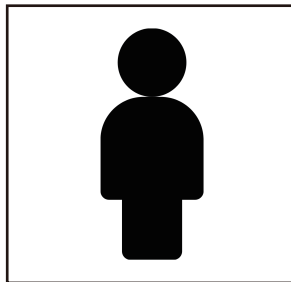
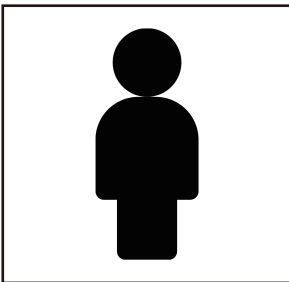
Note

In order to enhance product durability, extend its lifespan, improve your user experience, and save time, we provide the following suggestions to assist you with the assembly process:

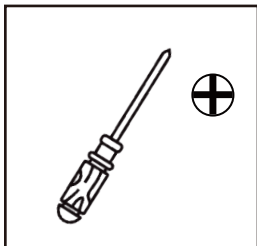
1. Please follow the installation steps carefully to avoid wasted effort or assembly failure.
2. Double check that all parts and hardware are included before starting.
3. Install the product on a soft surface (rug or blanket) to avoid scratches.
4. When installing with power tools, please use a low speed setting.
5. When tightening screws, insert them vertically, incorrect angle can cause damage to the panel.



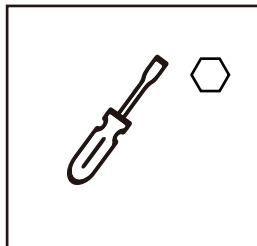
Person Recommended



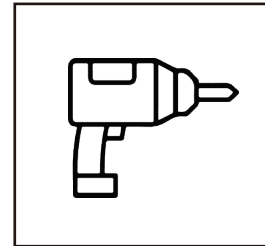
Tools Recommended



Phillips screwdriver



Hex bit socket screwdriver



Electric drill

PARTS

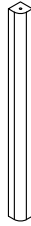
1



1

PC

2



1

PC

3



1

PC

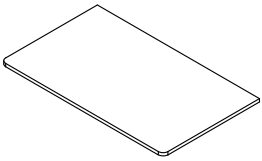
4



1

PC

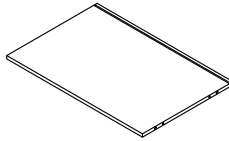
5



1

PC

6



1

PC

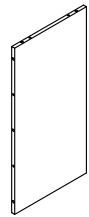
7



1

PC

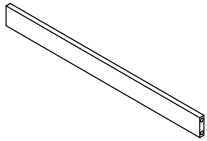
8



1

PC

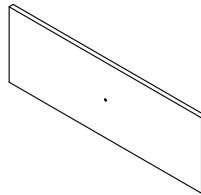
9



2

PCS

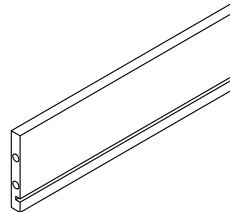
10



3

PCS

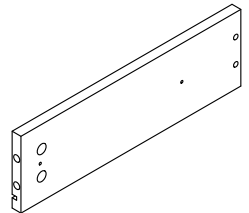
11



3

PCS

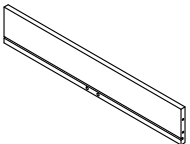
12



3

PCS

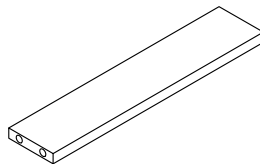
13



3

PCS

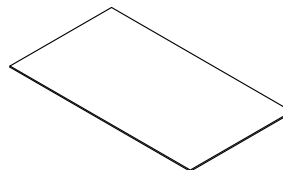
14



3

PCS

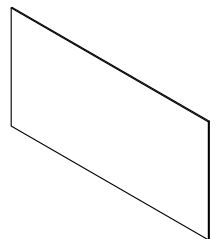
15



3

PCS

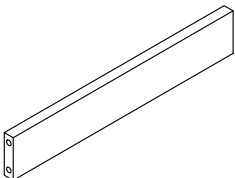
16



1

PC

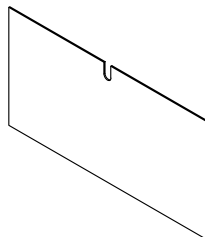
17



2

PCS

18



1

PC

PARTS

A



46 PCS

B



Ø12

46 PCS

C



Ø6×30

28 PCS

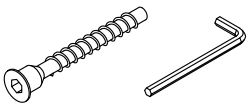
D



M3.5×12

25 PCS

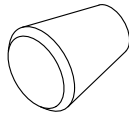
E



M5×40

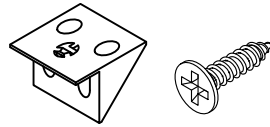
18 PCS

F



3 PCS

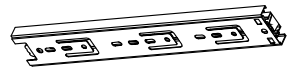
G



M3.5×14

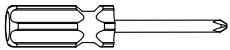
12 PCS

H



6 PCS

I



1 PC

J



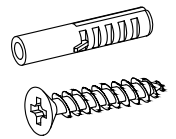
1 PC

K



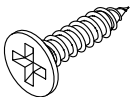
1 PC

L



1 PC

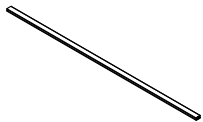
M



M3.5×14

4 PCS

N



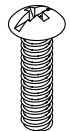
1 PC

O



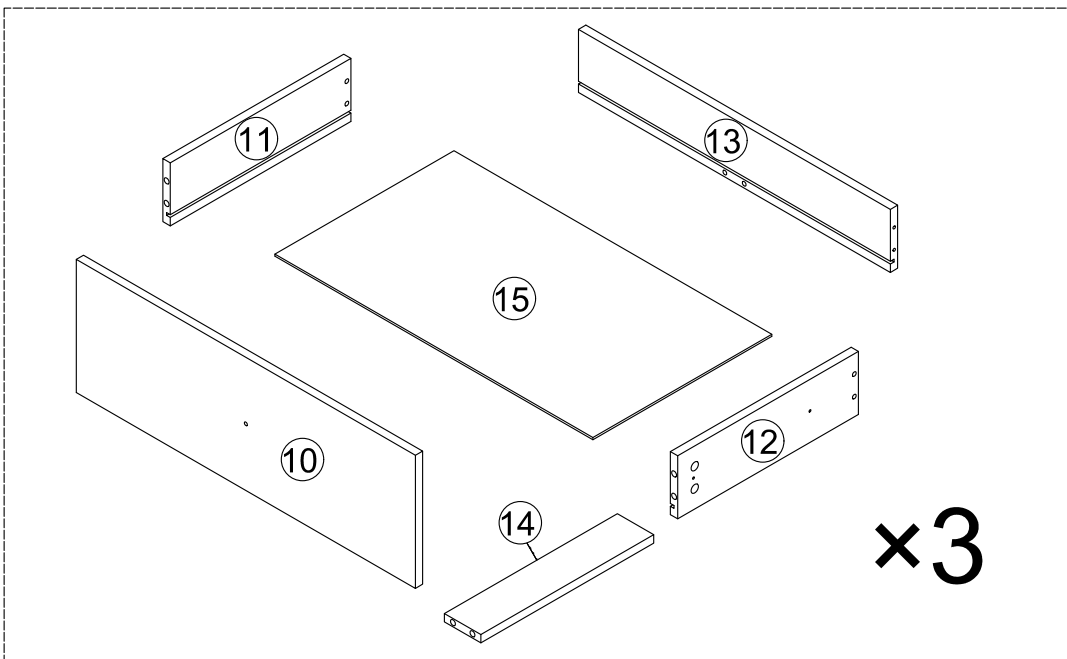
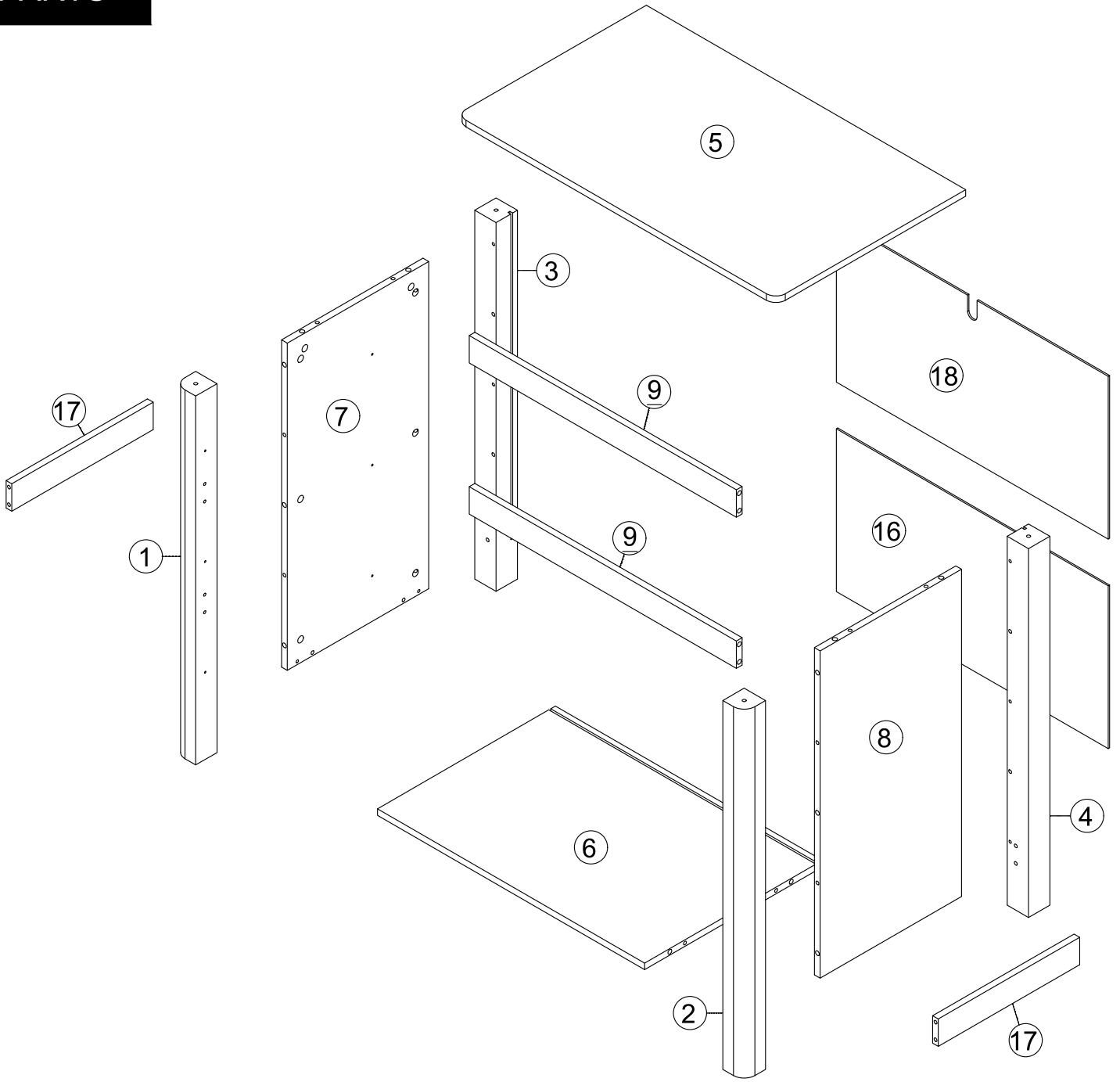
4 PCS

P

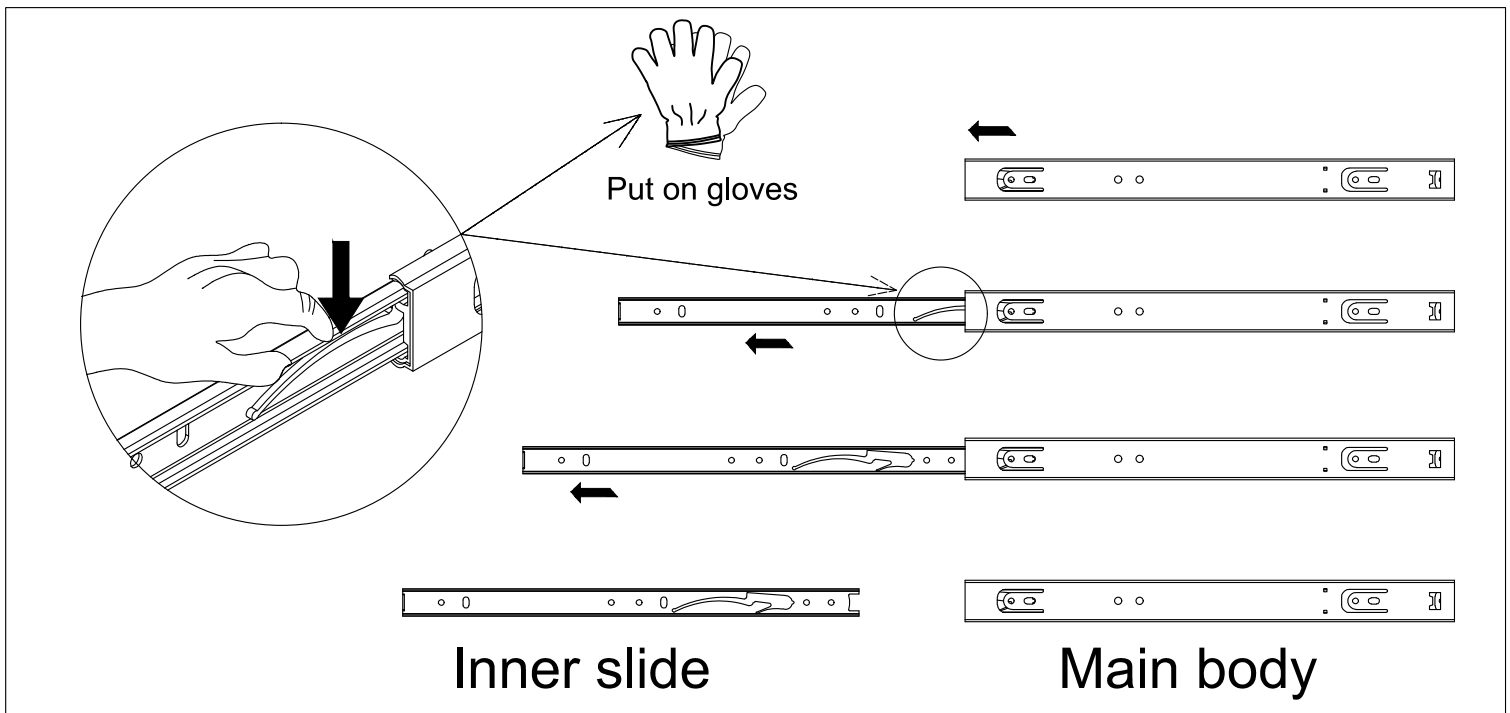


3 PCS

PARTS



Way Offinstalling Slide Rail



The slide rail needs to be disassembled into two parts: the main body is installed on the board, and the inner slide is installed on the side of the drawer.

Step 1

Pull out inner slide

Step 2

Press the plastic clasp according to the diagram and keep pressing

Step 3

Keep pressing plastic clasp and slowly pull out

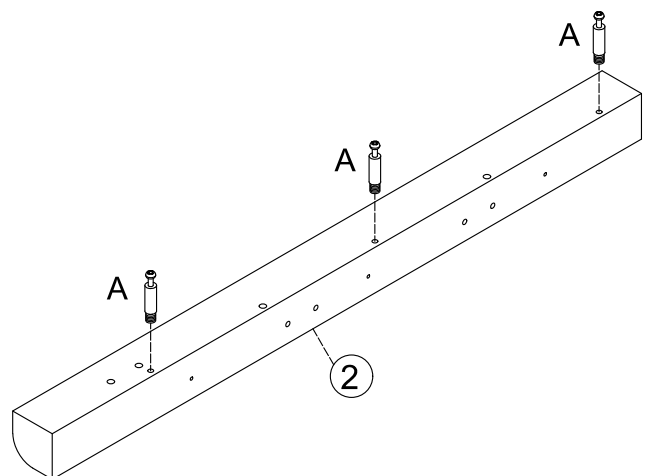
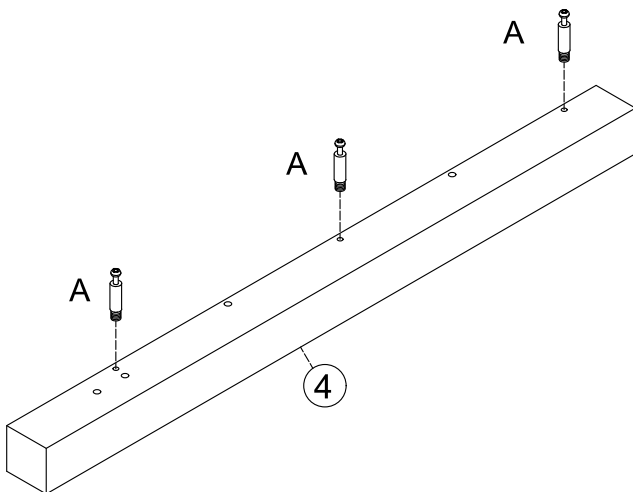
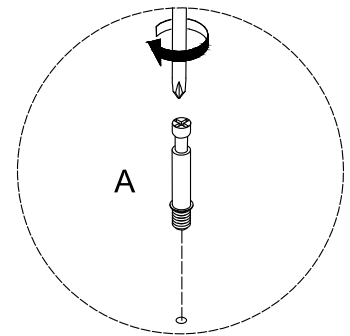
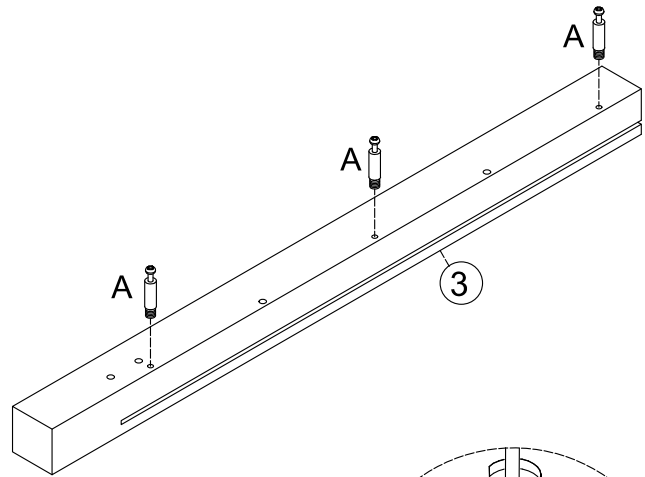
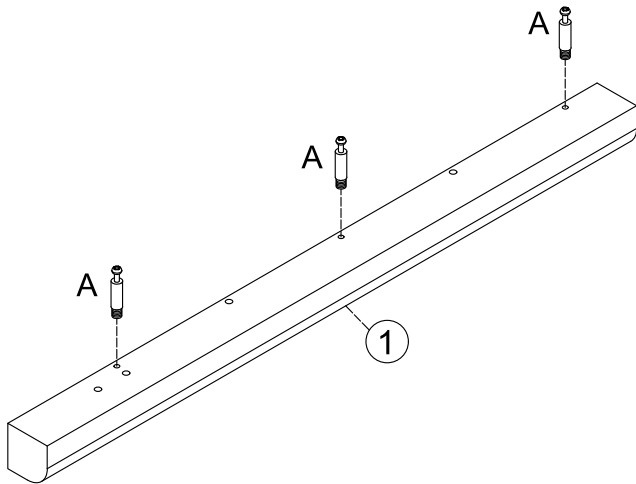
Step 4



Until the inner slide is fully pulled out

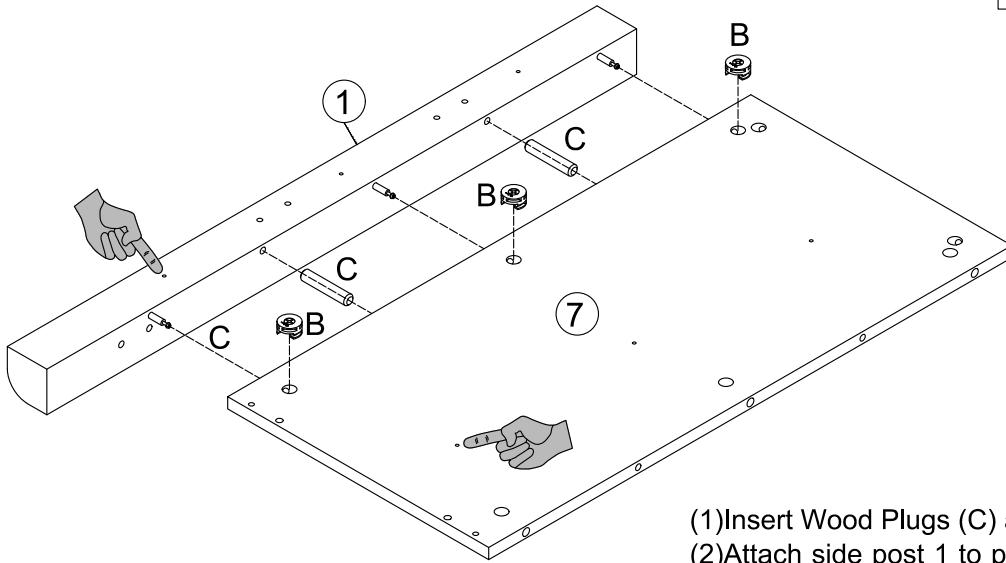


A×12

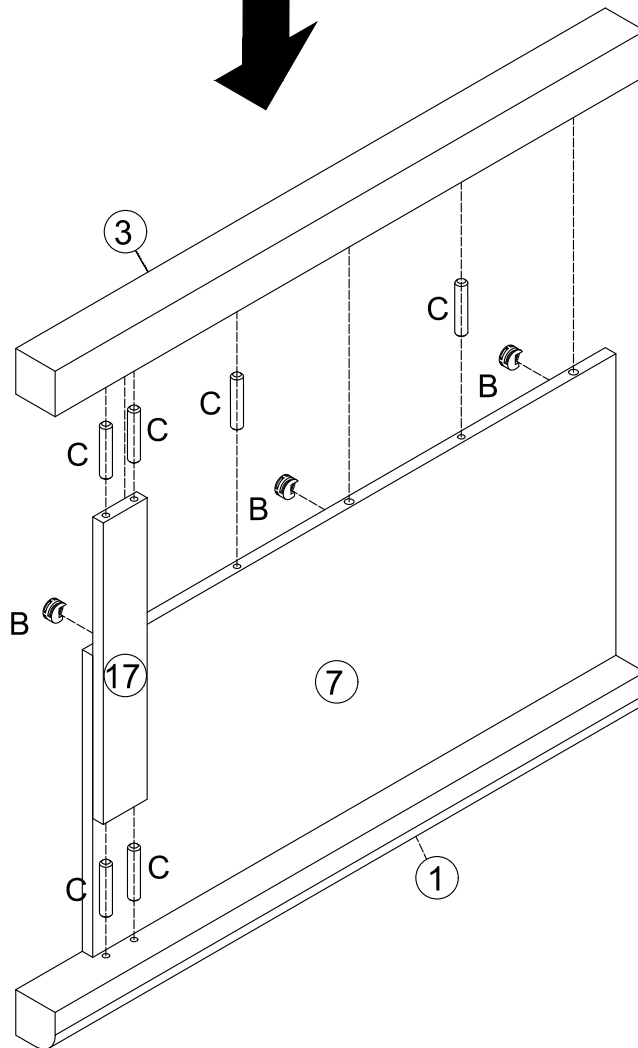
Screw Bolts (A) into the holes on Side Posts 1, 2, 3, and 4
Make sure to screw it in vertically to avoid damaging the panel



	B×6
	C×8

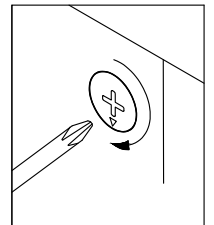
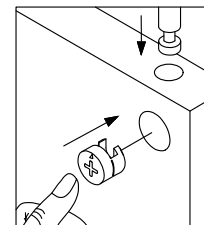




- (1) Insert Wood Plugs (C) and housing (B) on panel 7
- (2) Attach side post 1 to panel 7, tighten the housing (B)

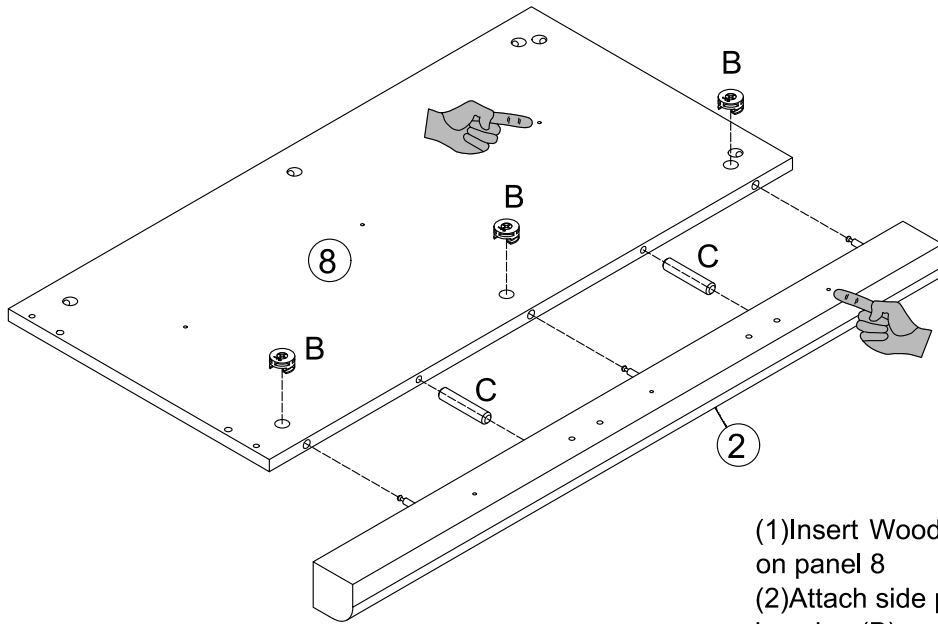


- (3) Insert Wood Plugs (C) into the holes on panel 7 and 17
- (4) Insert housing (B) on panel 7
- (5) Insert panel 17 into side post 1, then insert side post 3 into panel 7, and tighten housing (B)

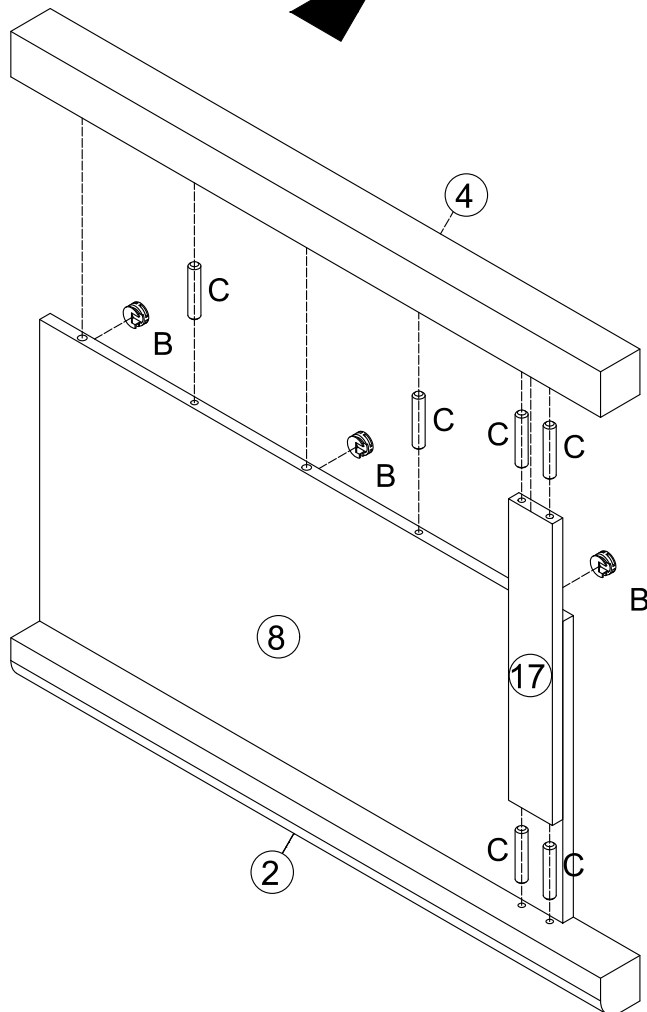
The arrow on housing (B) needs to point towards Bolts (A).



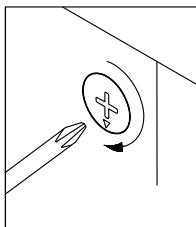
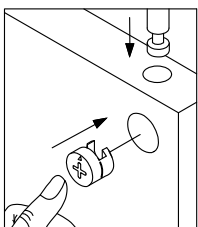
	B×6
	C×8





- (1) Insert Wood Plugs (C) and housing (B) on panel 8
- (2) Attach side post 2 to panel 8, tighten the housing (B)

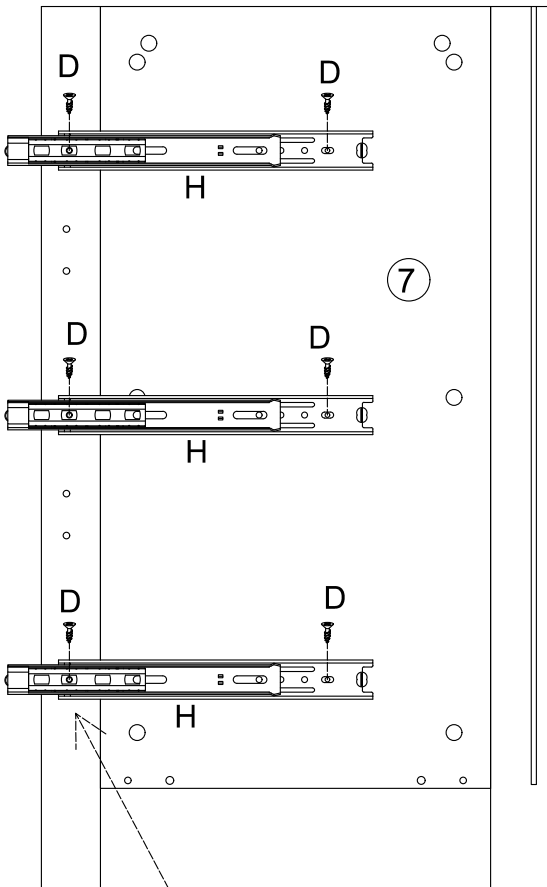
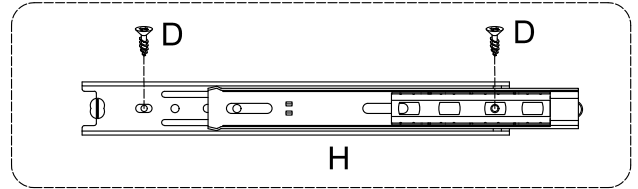
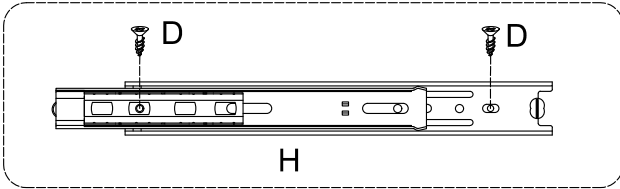


- (3) Insert Wood Plugs (C) into the holes on panel 8 and 17
- (4) Insert housing (B) on panel 8
- (5) Insert panel 17 into side post 2, then insert side post 4 into panel 8, and tighten housing (B)

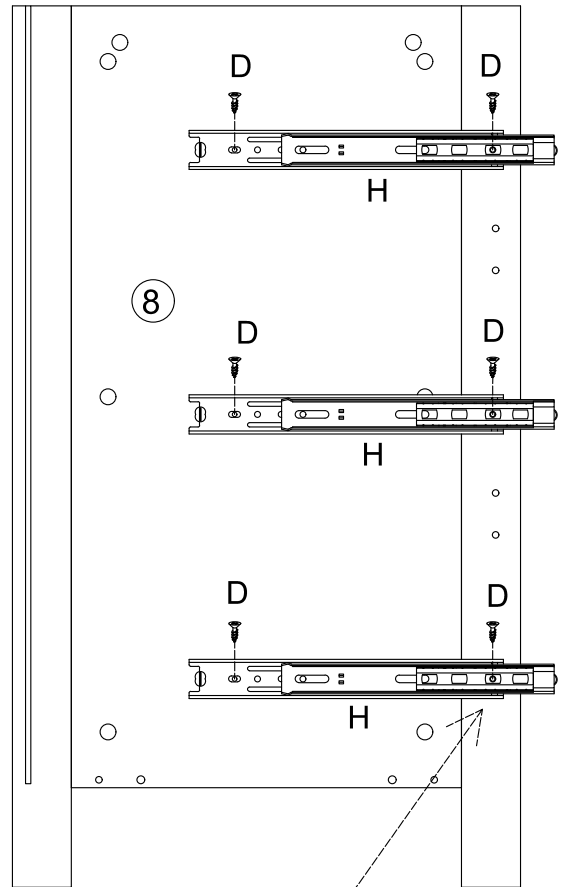


	D×12		H×6
---	------	---	-----

Use the main body of slide rail

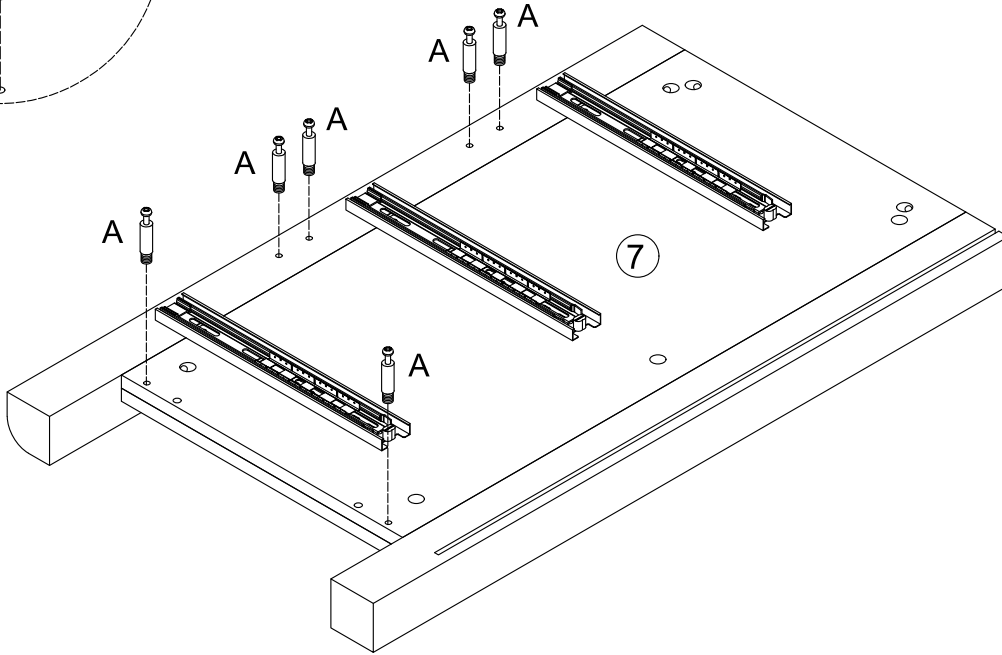
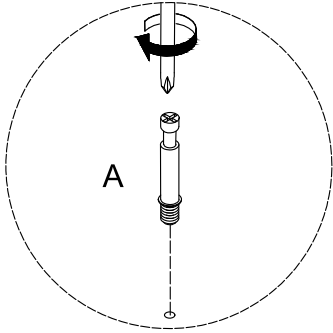


First, install this small hole, and then install the first one from the right side.

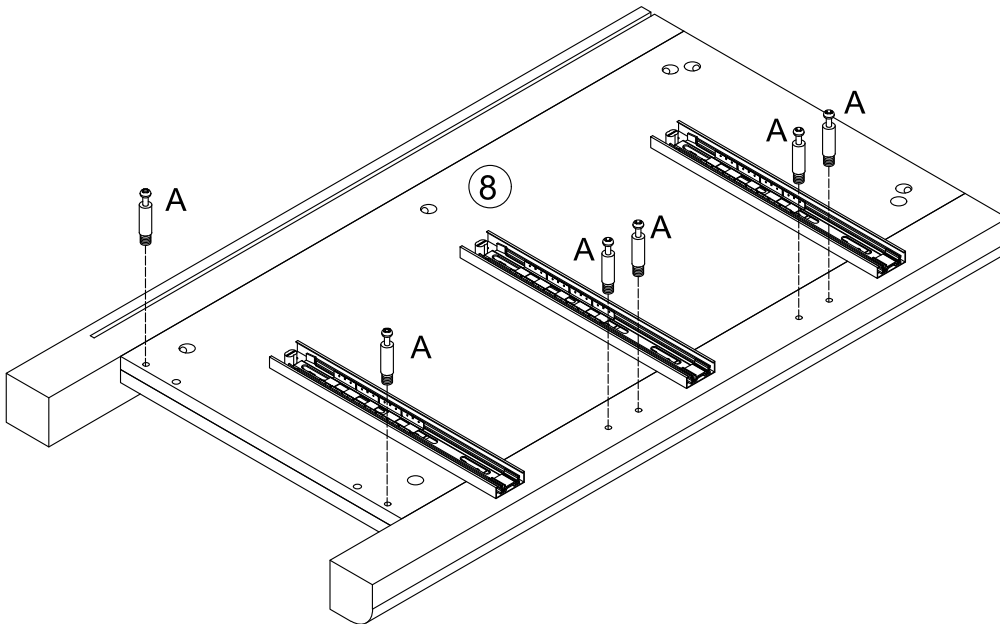


First, install this small hole, and then install the first one from the left side.

Screw outer rails (H) with D on panel 7 and 8
 Make sure to screw it in vertically to avoid damaging the panel
 Pay attention to the screw hole positions and the direction of the rails






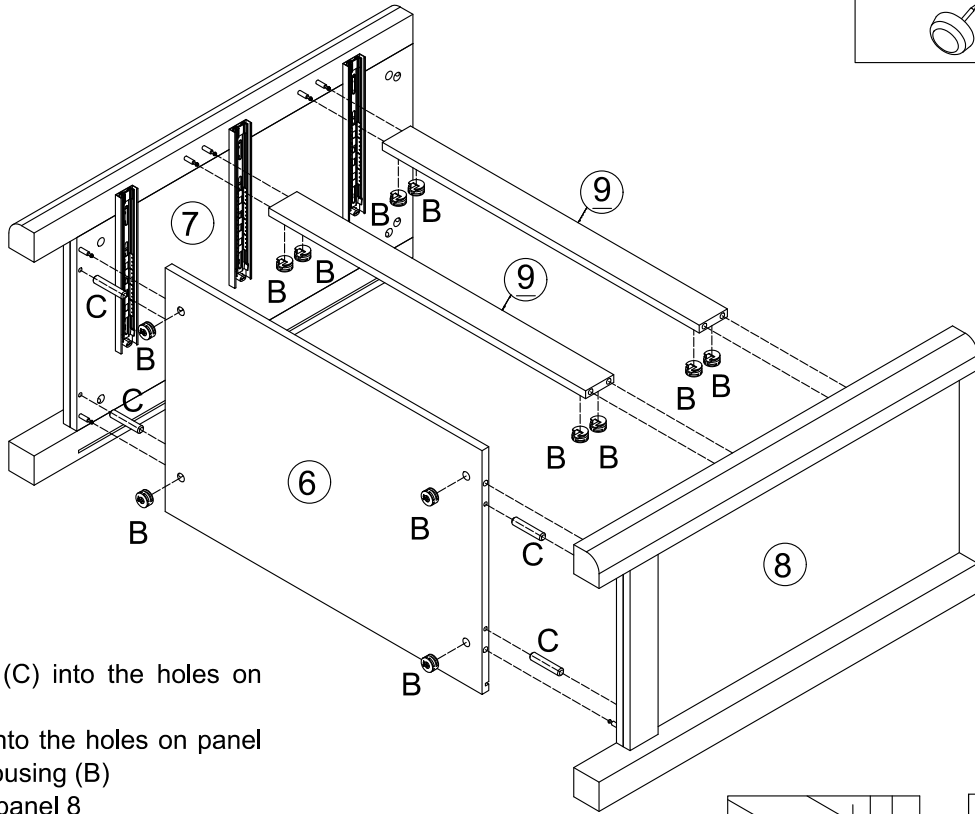
Screw bolts (A) into the holes of panel 7 and 8



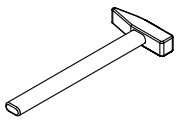
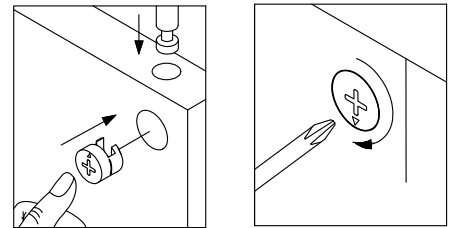
step7/step15

For this step, it is recommended to install one side first, and then the other side

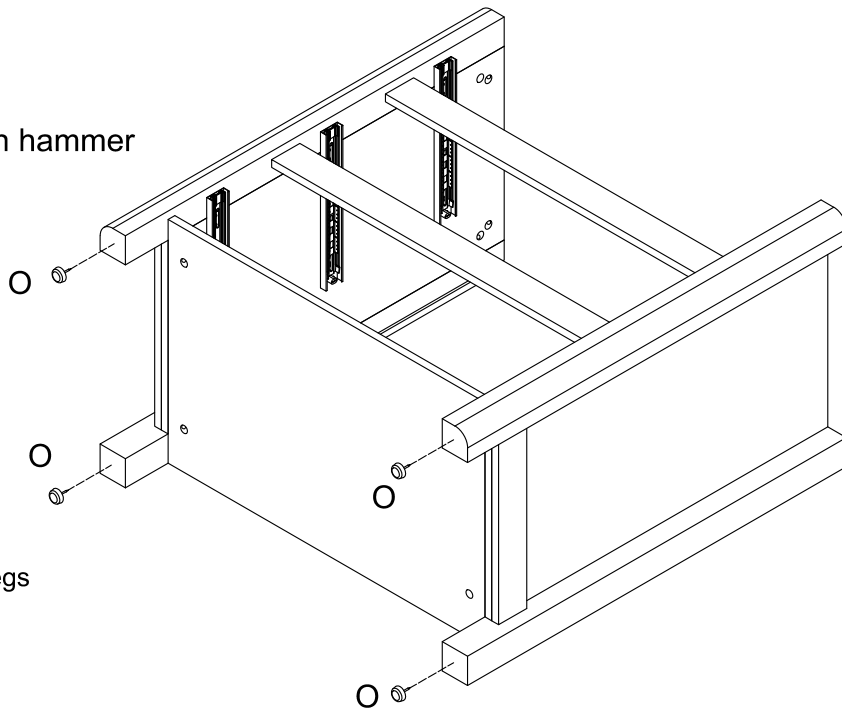
	B×12
	C×4
	O×4



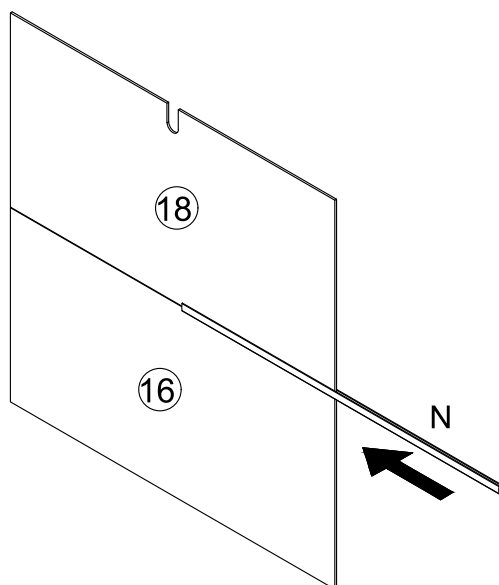
- (1) Insert Wood Plugs (C) into the holes on panel 7
- (2) Insert housing (B) into the holes on panel 6 and 9 (x2), tighten housing (B)
- (3) Same operation on panel 8



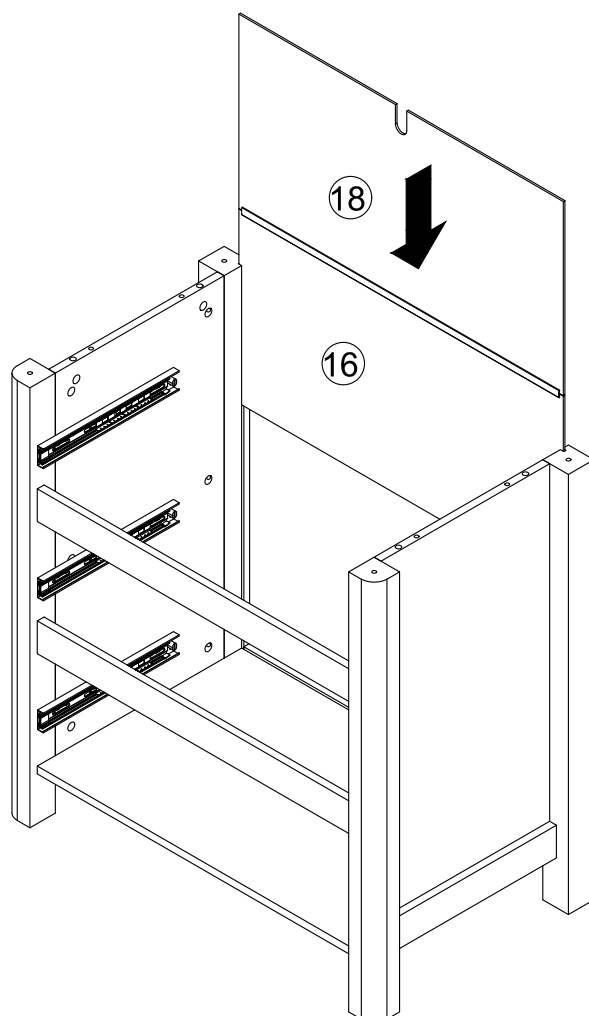
Need to bring your own hammer



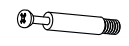

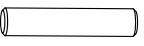


Attach the foot pad O on legs



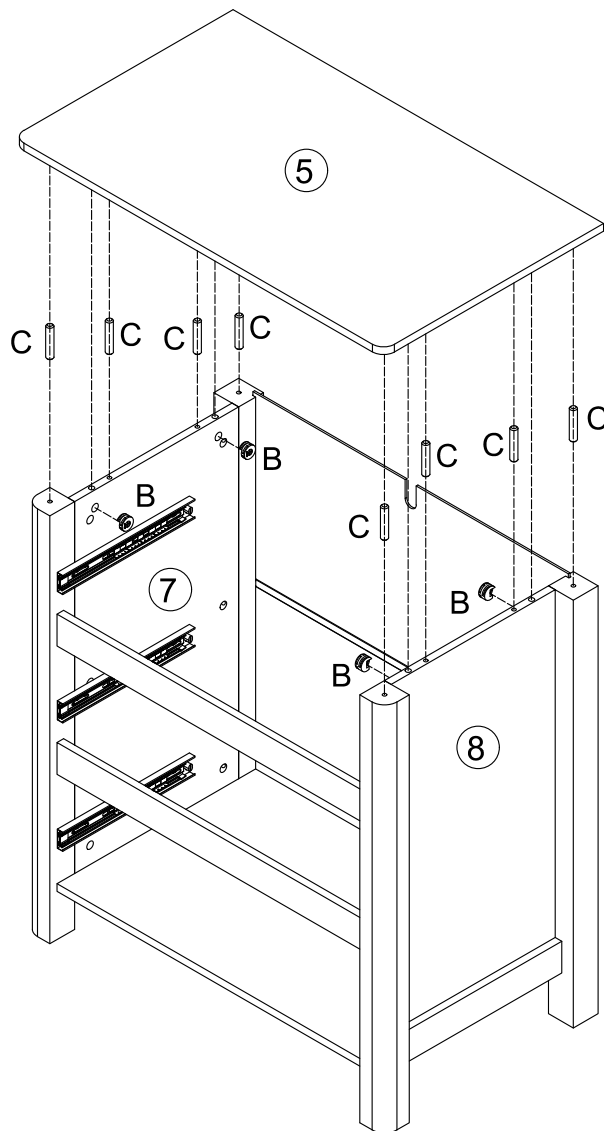
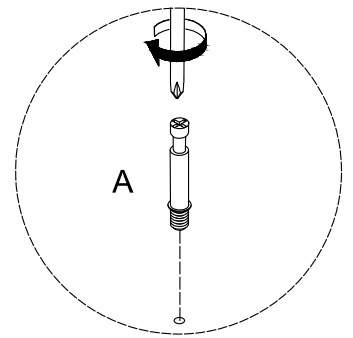
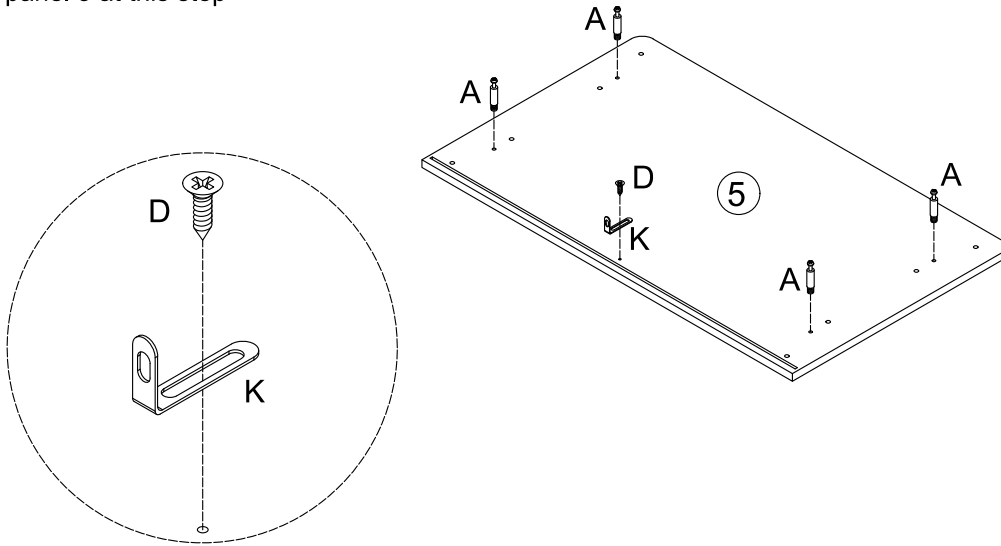
Connect pannel 16 and 18 using N, and insert them into the back of the frame



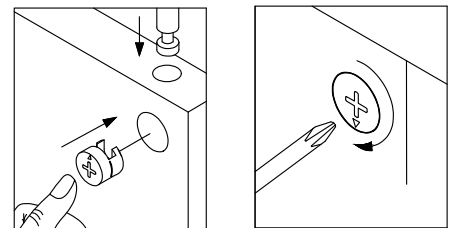
step9/step15



	A×4		B×4
	C×8		D×1
			K×1

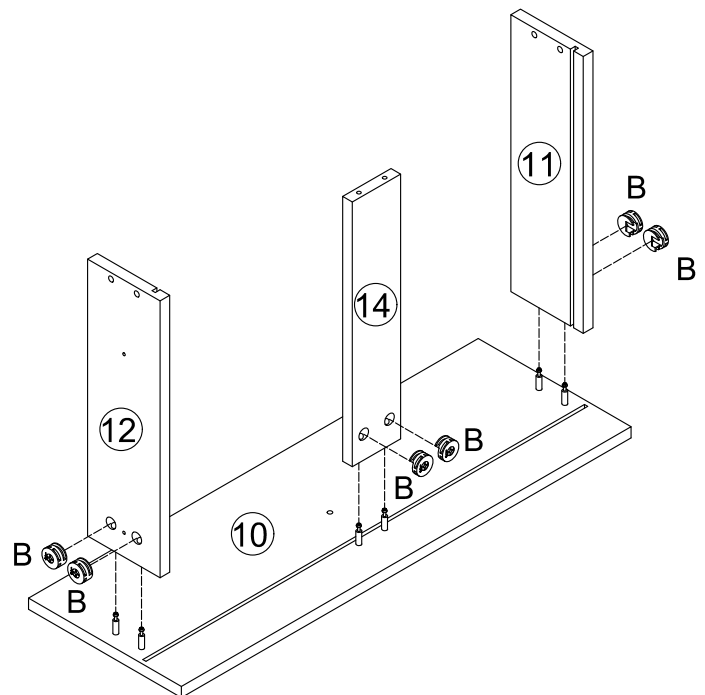
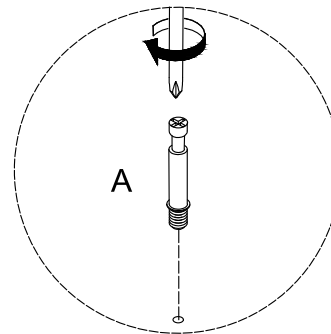
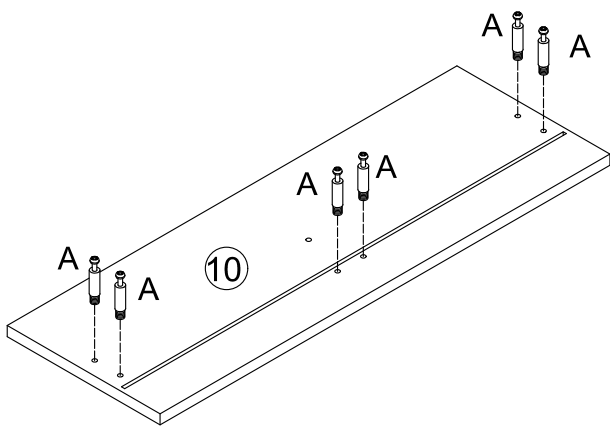
If you need to fix the product to the wall, please install connector K onto panel 5 at this step



- (1) Screw bolts (A) into the holes of panel 5
- (2) Insert Wood Plugs (C) and housing (B) on panel 7 and 8
- (3) Attach panel 5 into the frame and tighten housing (B)

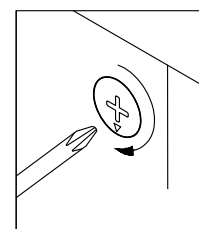
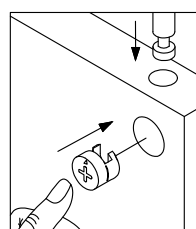
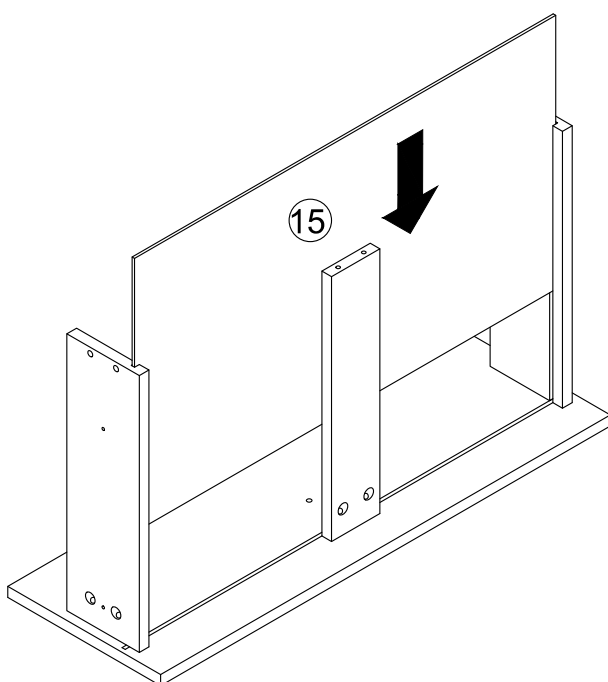


	A×18
	B×18






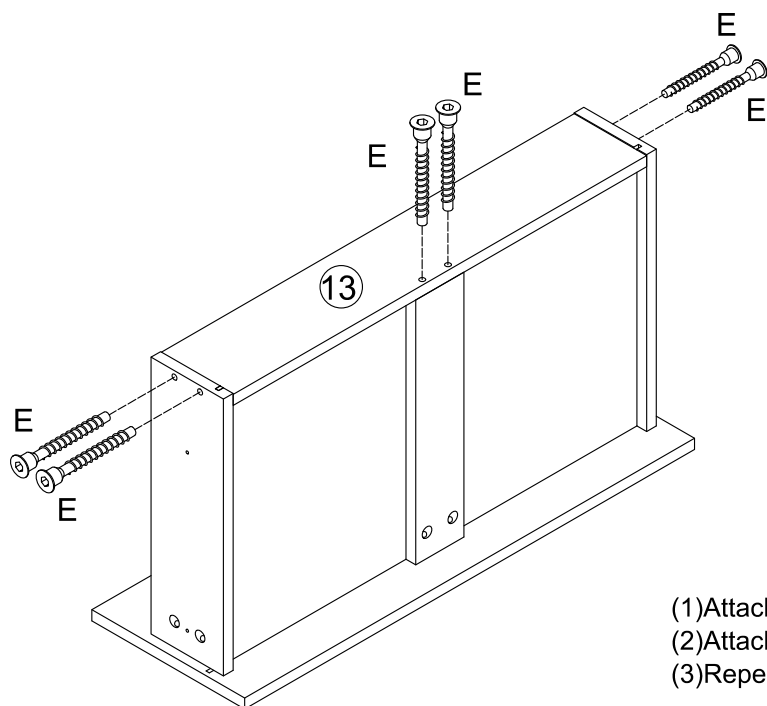
- (1)Screw bolts (A) into the holes of panel 10
- (2)Insert housing (B) into the holes on panel 11, 12 and 14
- (3)Attach panel 11, 12 and 14 to panel 10, tighten housing (B)
- (4)Insert panel 15 into the groove
- (5)Repeat the steps to install the remaining drawers

Make sure the grooves are aligned

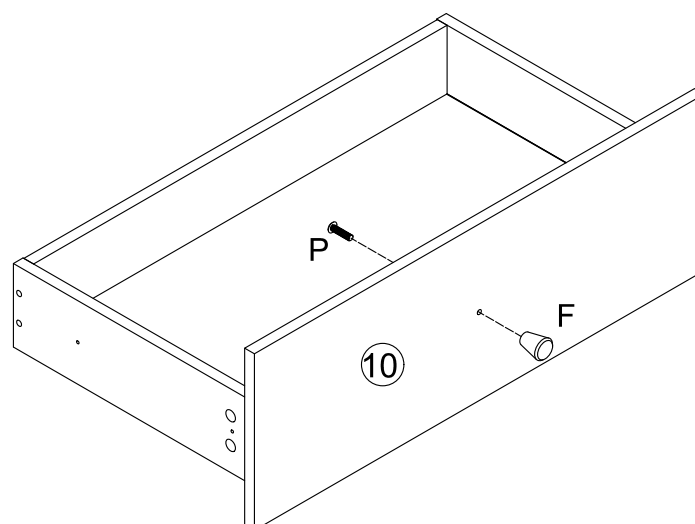


×3



	E×18
	F×3
	P×3



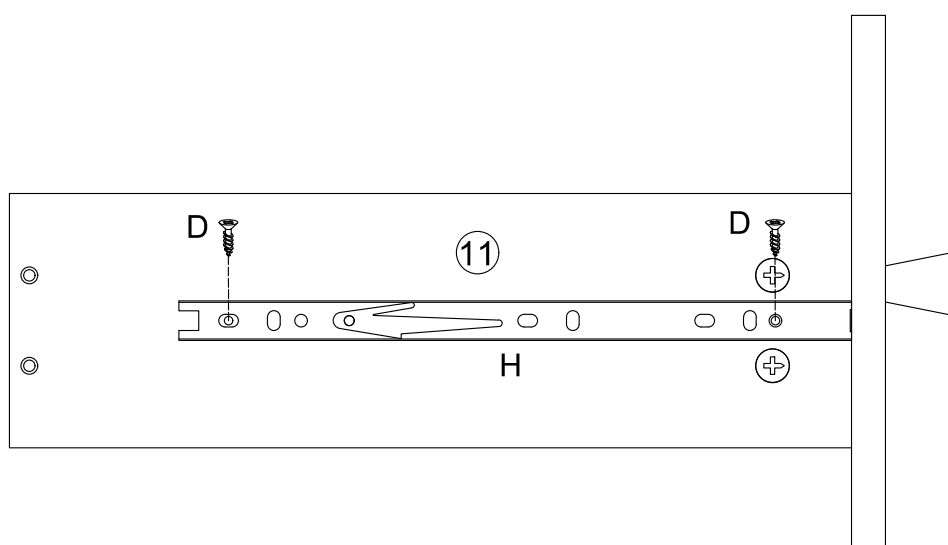
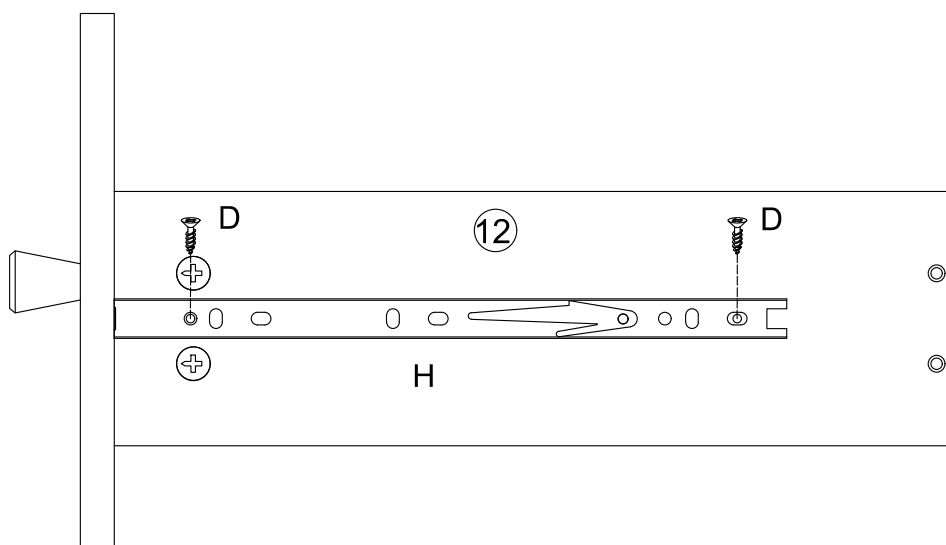
- (1) Attach panel 13 to the drawer frame using screws E
- (2) Attach handle F to the drawer using screw P
- (3) Repeat the steps to install the remaining drawers



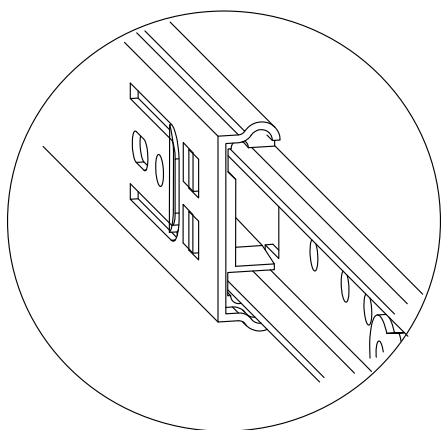
×3

	D×12		H×6
---	------	---	-----

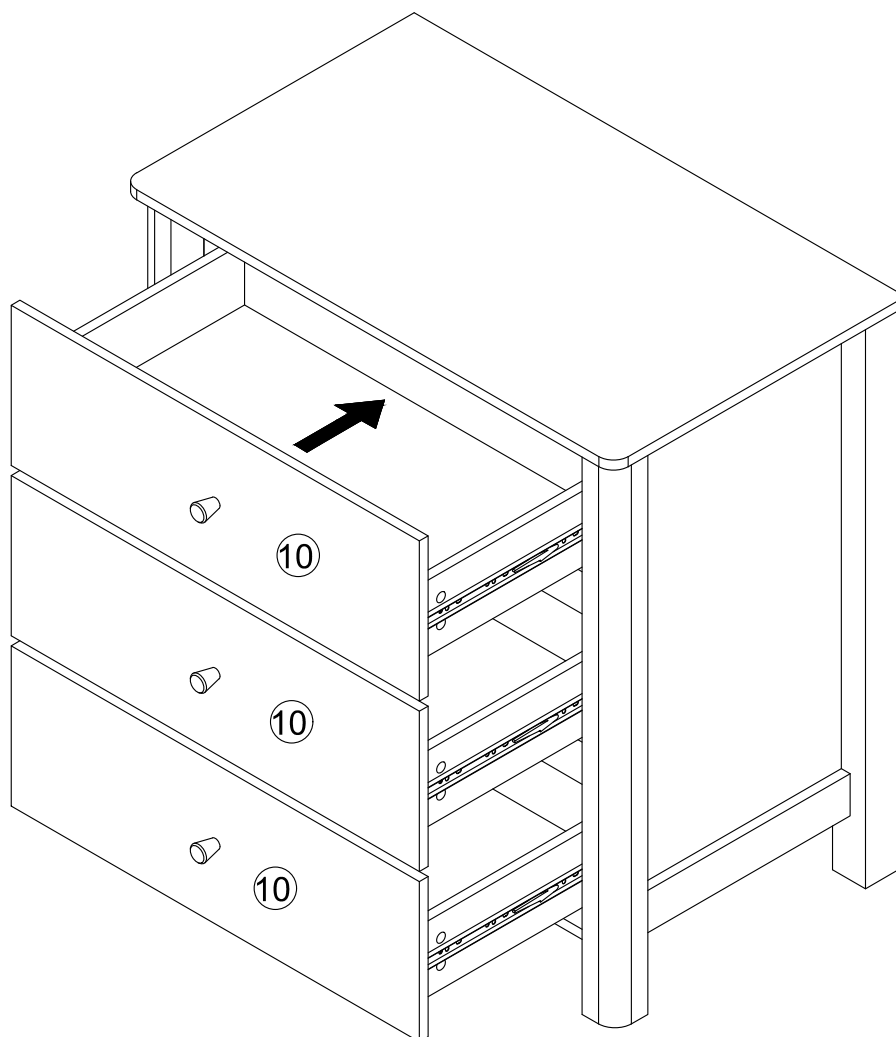
Install the inner rails on both sides of all drawers with screw D
(screws into the two small circular holes)



×3



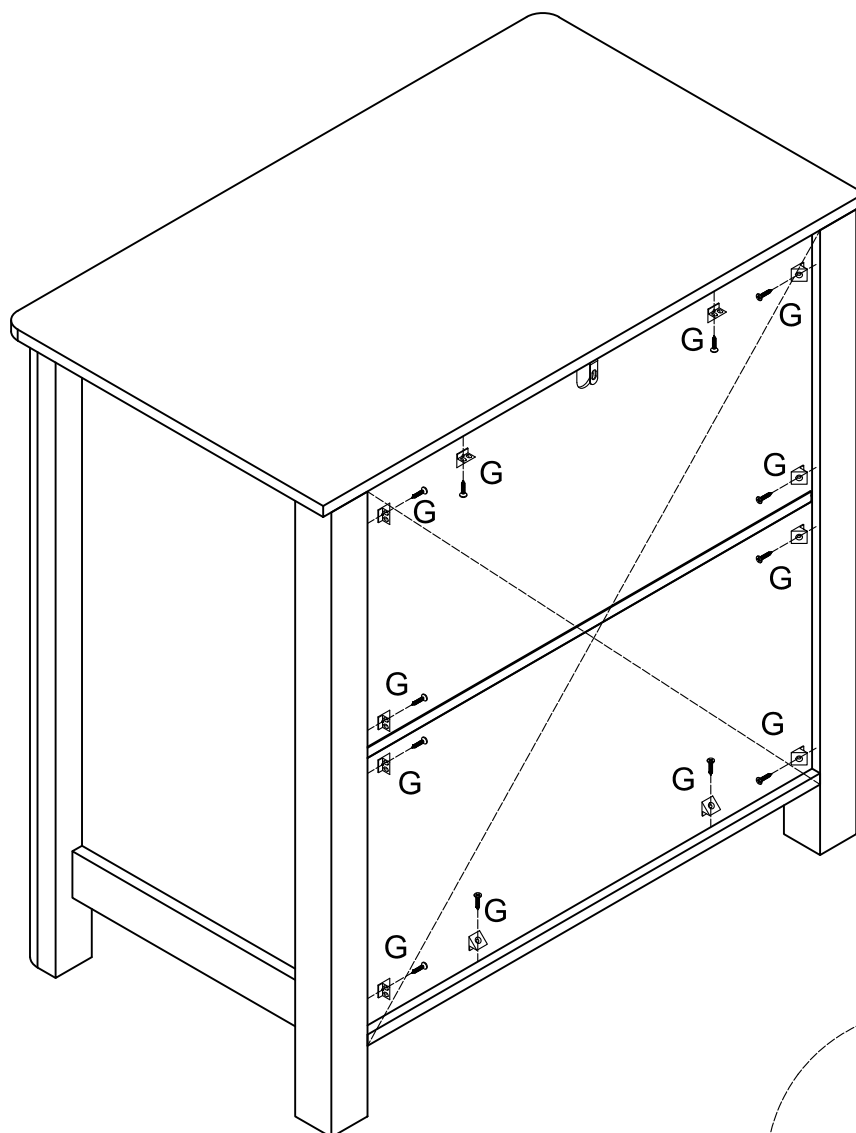
- (1) Pull out the outer rails
- (2) Align the inner rail of the drawer with the outer rail
- (3) Push in with equal force on both sides simultaneously
- (4) The other drawer works in the same way





G×12

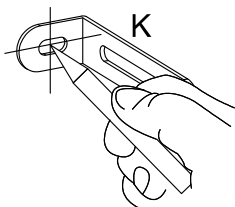
- (1) Measure the length of the diagonals with a ruler to ensure they are consistent
- (2) Install buckles (E) in the gaps at the top, bottom, left, right, and four corners of the back panel



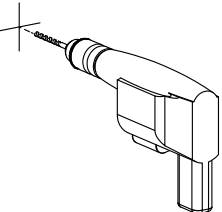


L×2

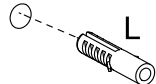
step 1



step 2



step 3



step 4

