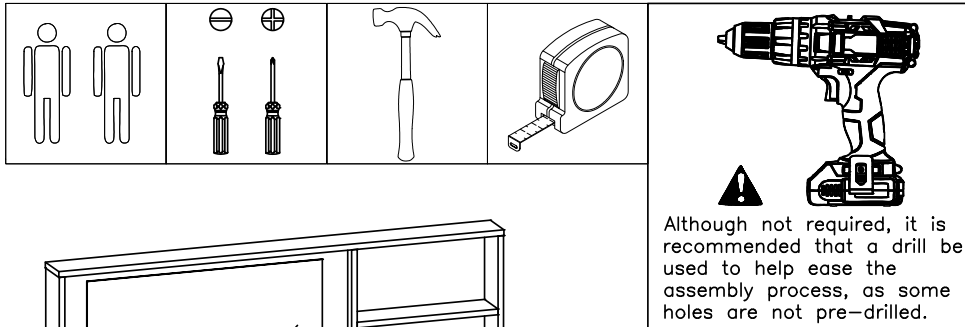


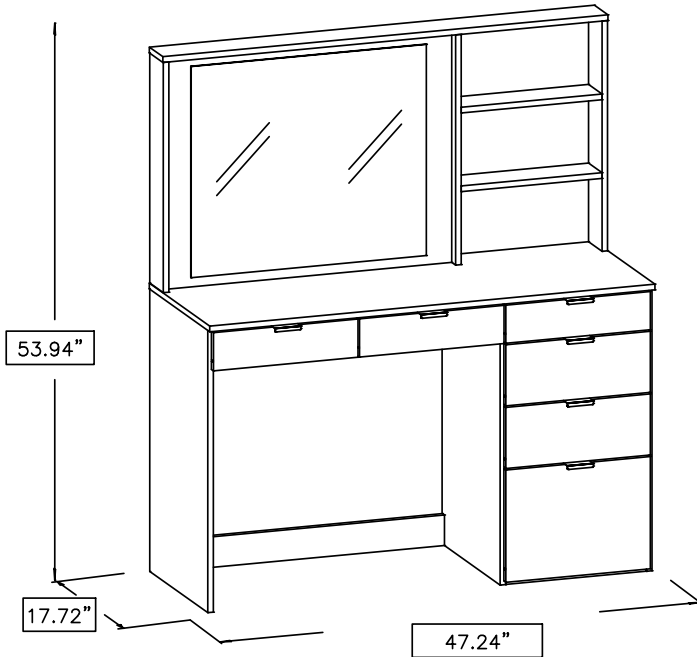
# ASSEMBLY INSTRUCTIONS



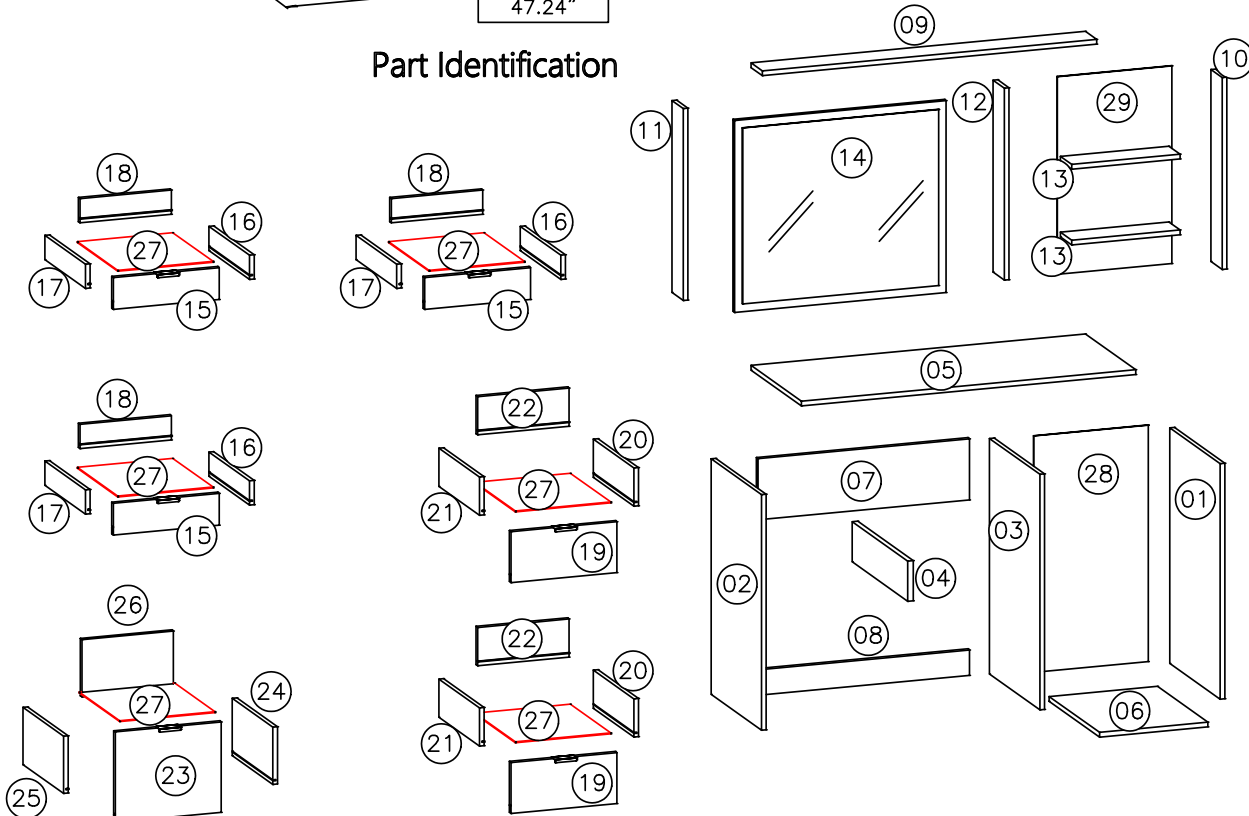
Warning – CHOKING HAZARD – Small Parts Not for children under 3 years. Adult assembly required.



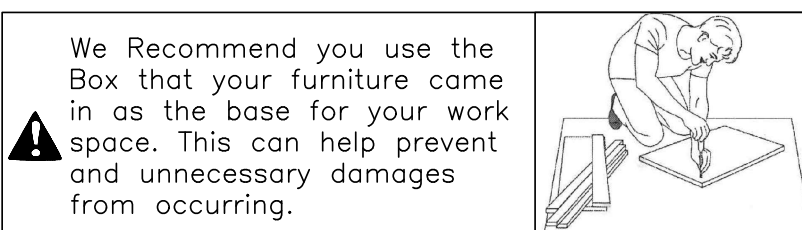
Although not required, it is recommended that a drill be used to help ease the assembly process, as some holes are not pre-drilled.

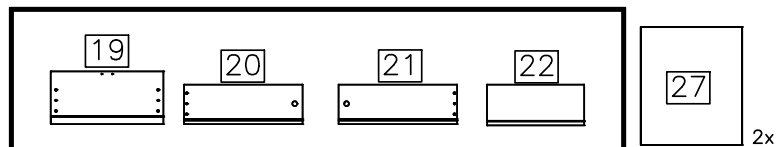
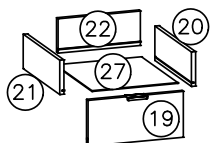
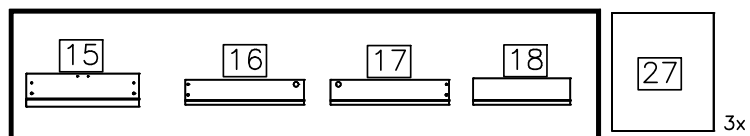
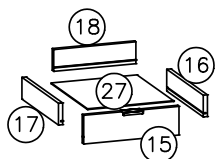
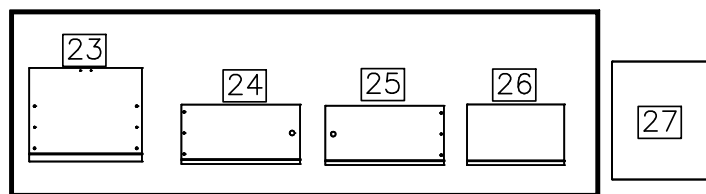
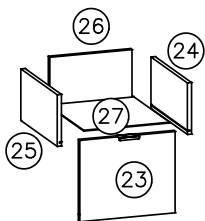
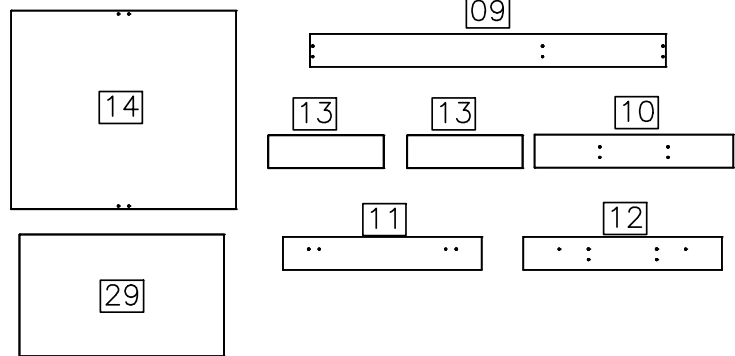
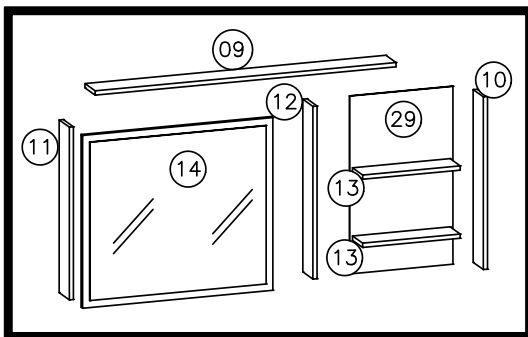
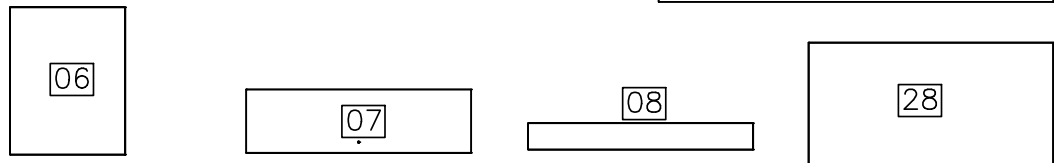
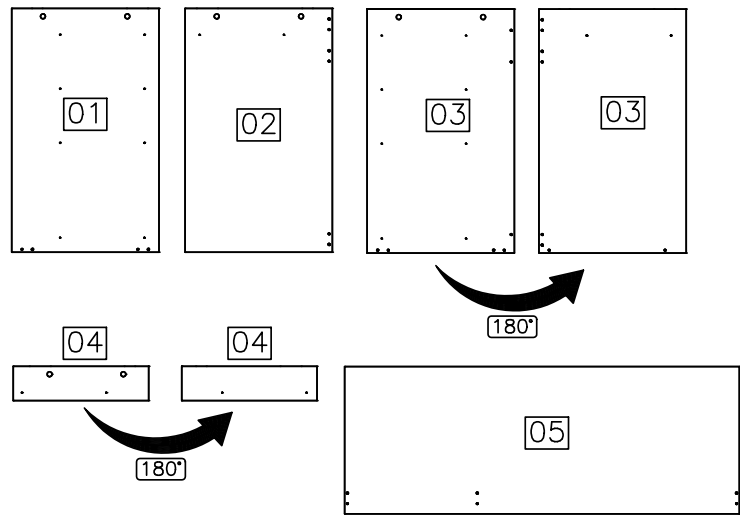
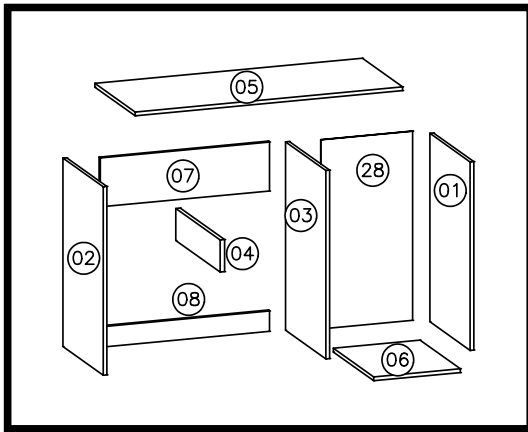


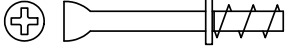
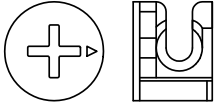

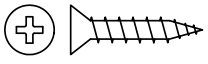

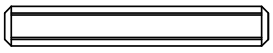
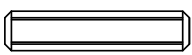
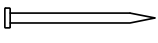
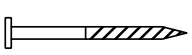
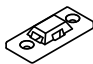

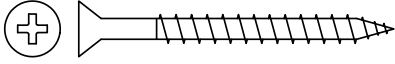


## Part Identification



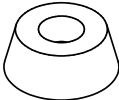
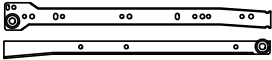
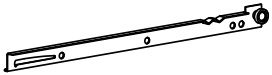
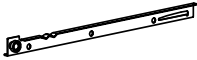
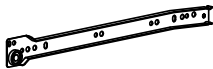

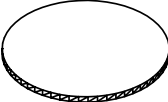



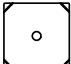



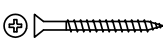
List of pieces							
Code	Description	Descrição (Internal production data)	Amount	Length (in.)	Width (in.)	Thickness (in.)	Box
01	Right Side Panel	Lateral direita	1	29.13"	16.89"	.59"	A
02	Left Side Panel	Lateral esquerda	1	29.13"	16.89"	.59"	A
03	Divider – Large	Divisória maior	1	29.13"	16.89"	.59"	B
04	Divider – Small	Divisória menor	1	4.13"	16.18"	.59"	A
05	Top	Tampo	1	47.17"	17.60"	.59"	A
06	Bottom/Base	Base	1	14.92"	16.89"	.59"	A
07	Support	Reforço	1	30.39"	7.56"	.59"	B
08	Baseboard	Rodapé	1	30.39"	3.15"	.59"	B
09	Top–Upper	Tampo superior	1	47.17"	3.94"	.59"	A
10	Right Side Panel–Upper	Lateral direita superior	1	23.74"	3.94"	.59"	B
11	Left Side Panel Support	Lateral esquerda superior	1	23.74"	3.94"	.59"	B
12	Divider–Upper	Divisória superior	1	23.74"	3.94"	.59"	B
13	Shelf	Prateleira	2	14.92"	3.94"	.59"	A
14	Back of Mirror	Costa do espelho	1	30.39"	23.74"	.59"	B
15	Larger Front of Drawer–Small	Frente de gaveta menor	3	15.31"	3.94"	.59"	A
16	Right Side of Drawer	Lateral de gaveta direita	3	14.17"	2.99"	.59"	A
17	Left Side of Drawer	Lateral de gaveta esquerda	3	14.17"	2.99"	.59"	A
18	Back of Drawer–Small	Cabeceira de gaveta menor	3	12.76"	2.99"	.59"	A
19	Larger Front of Drawer–Medium	Frente de gaveta média	2	15.31"	6.30"	.59"	A
20	Right Side of Drawer–Medium	Lateral de gaveta média direita	2	14.17"	4.72"	.59"	A
21	Left Side of Drawer–Medium	Lateral de gaveta média esquerda	2	14.17"	4.72"	.59"	A
22	Back of Drawer–Medium	Cabeceira de gaveta média	2	12.76"	4.72"	.59"	A
23	Front of Drawer–Largest	Frente do gavetão	1	15.31"	11.57"	.59"	A
24	Right Side of Drawer–Largest	Lateral do gavetão direita	1	14.17"	7.09"	.59"	B
25	Left Side of Drawer–Largest	Lateral do gavetão esquerda	1	14.17"	7.09"	.59"	B
26	Back of Drawer–Largest	Cabeceira do gavetão	1	12.76"	7.09"	.59"	B
27	Base of Drawer	Fundo de gaveta	6	13.27"	14.09"	.12"	A
28	Back Panel–Lower	Costa inferior	1	29.25"	15.75"	.12"	A
29	Back Panel–Upper	Costa superior	1	24.45"	15.75"	.12"	A





Hardware			
	Code	Description	Amou.
PM	30945	 Cam Screws	20
TM	30950	 Cam Locks	20
PE15	58787	 Screw 5x50	36
PC5	5256	 Screw 4x20	12
PC3	4214	 Screw 3,5x14	68
C2	1925	 Dowel 6x50mm	3
C1	1802	 Dowel 6x30mm	62
PR1	107	 Nail 10x10	43
PR2	108	 Nail 12x12	6
<b>Anti-tipping installation</b>			
<p><b>Warning:</b> For Measures of Safety, it is recommended that this item be fixed to the wall, to avoid overturning, if this happens it can cause serious or fatal injuries.</p> <p><b>ATENCION:</b> Por medidas de seguridad se recomienda fijar el mueble a la pared para evitar Volcamiento del mismo, si esto llegase a ocurrir puede causar lesiones graves o fatales.</p>			
SF	55606	 Mounting bracket	2
ANY	55607	 Clamp	1
PC10	51980	 Screw 4,5x50	2
PF4	1178	 Screw 3,5x16 BC	2
BG	32069	 Adapter sleeve	2



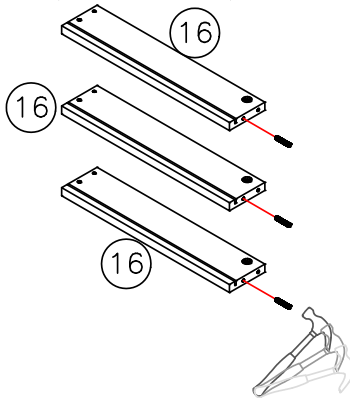
SD	1901		Shoe black	6
CM1	169		350mm metal slide set	6
CM1A			Right Drawer slide	
CM1B			Left drawer slide	
CM1C			Metallic slide for left sided panel	
CM1D			Metallic slide for right sided panel	
TP1	BR=45292 (New White)		Tap hole 19mm	20
TP2	BR= 8010 (New White)		Tap hole 13mm	37
S5	18458		Black triangular support	12
ET	55658		Mirror 633x553x3mm	1
FC	1423		Shore Fixer	4
PX	BR=59291 (Branco)		Handle 70mm	6
CZ3	58788		Allen key	1
CG	899		Cantoneira/Cantón /Angle bracket	2
PC8	226		Parafuso/ Tornillo/ Screw 4x40	1



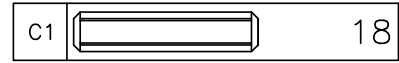
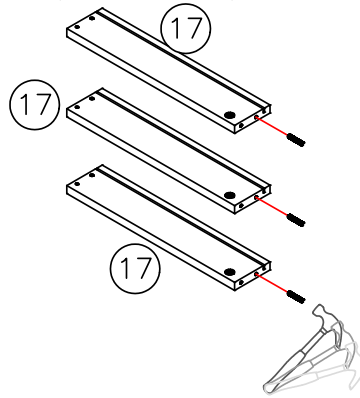
1A

### Drawer Preassembly

This process is repeated twice



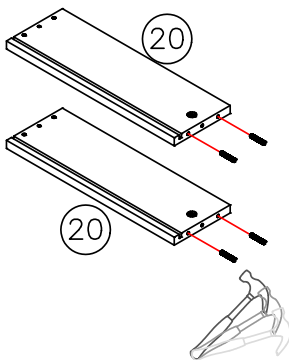
This process is repeated twice



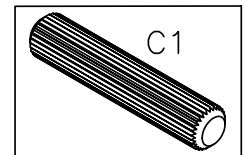
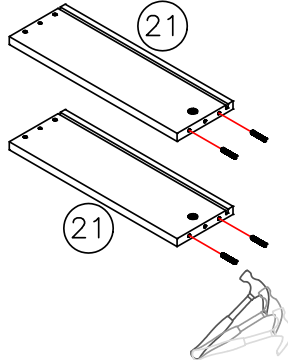
1B

### Drawer Preassembly

This process is repeated twice

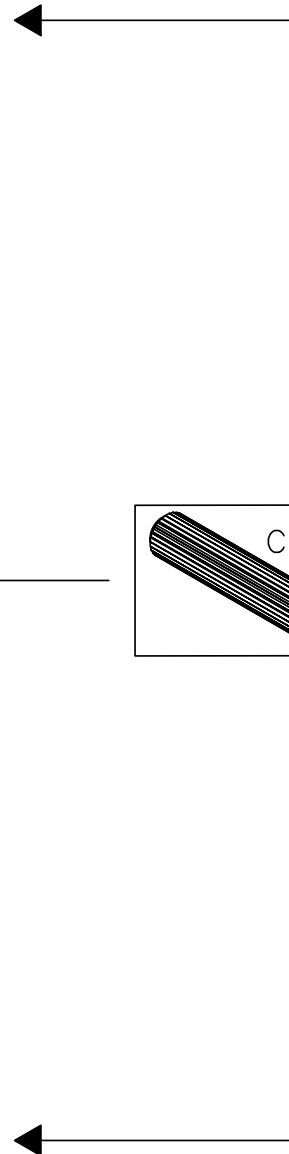
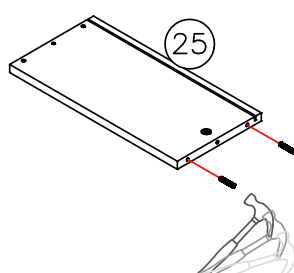
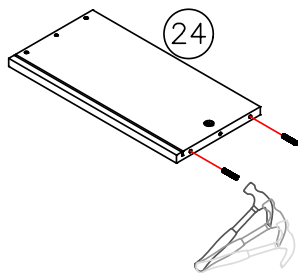


This process is repeated twice



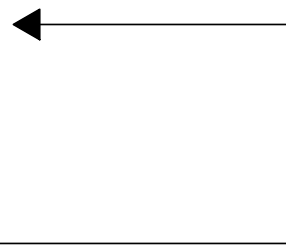
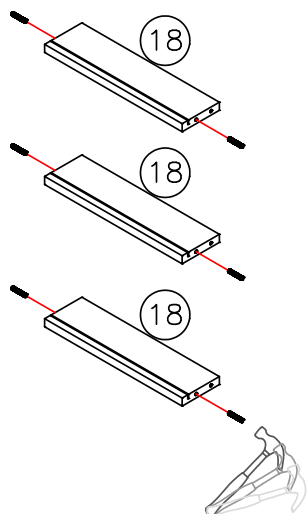
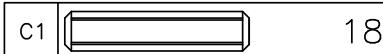
1C

### Drawer Preassembly

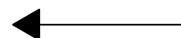
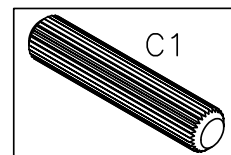
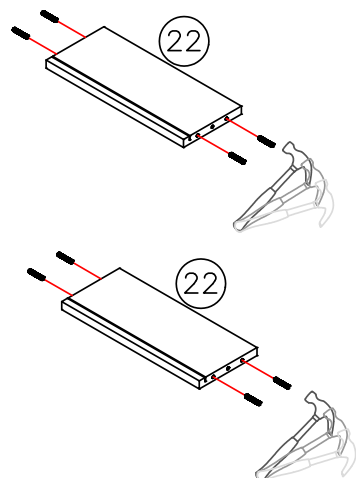


1D

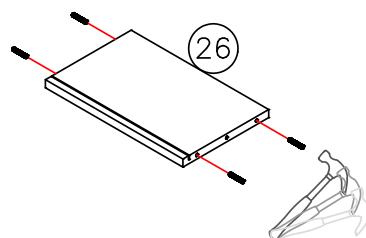
# Drawer Preassembly



1E

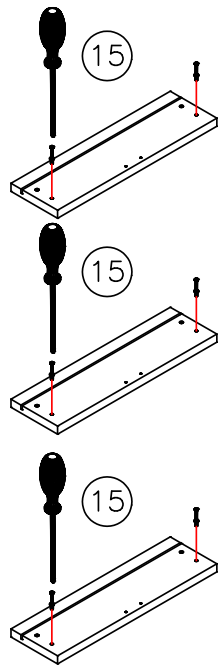
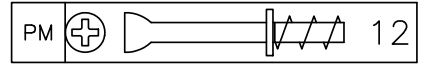


1F

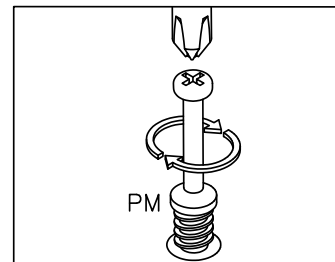
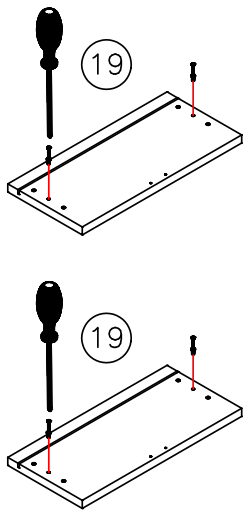


1G

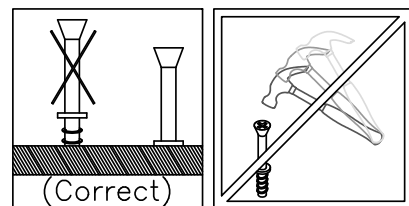
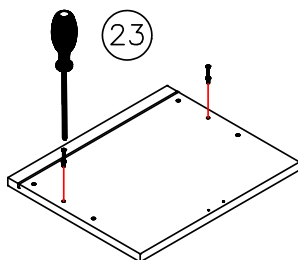
# Drawer Preassembly



1H


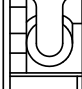



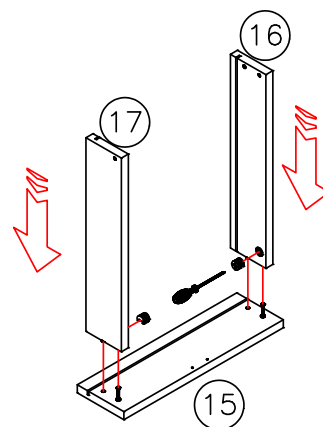
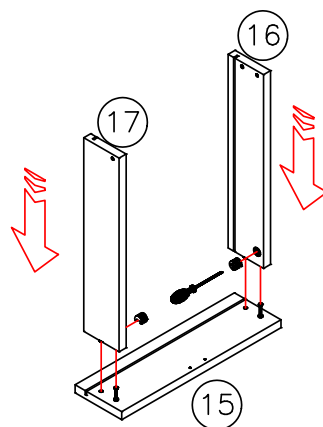
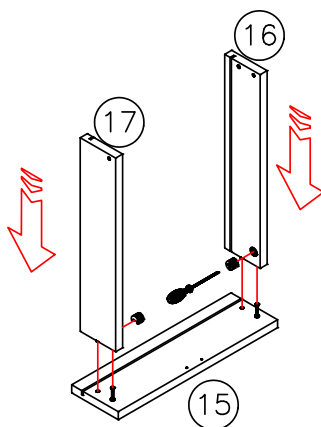
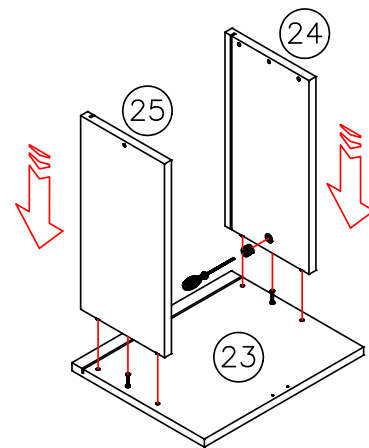
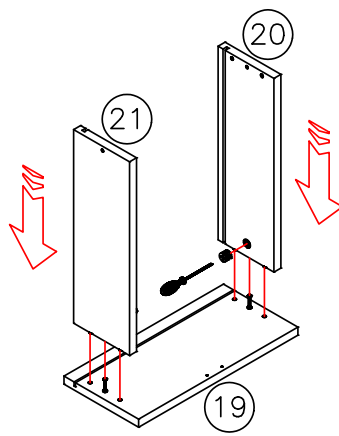
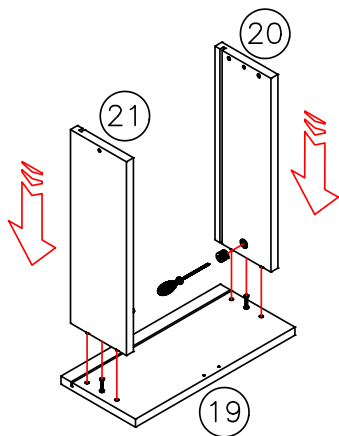
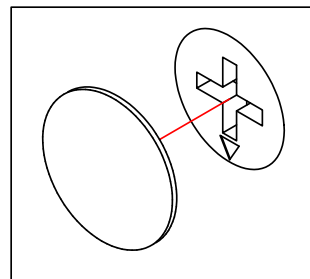
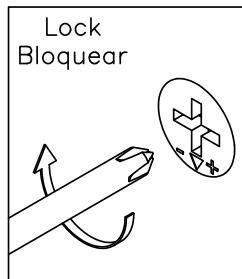
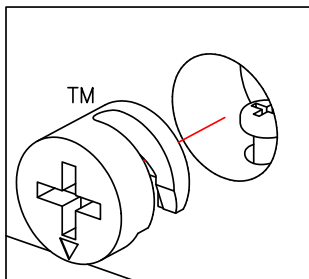
1I



2

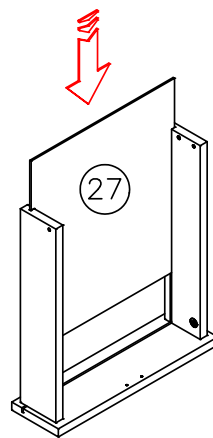
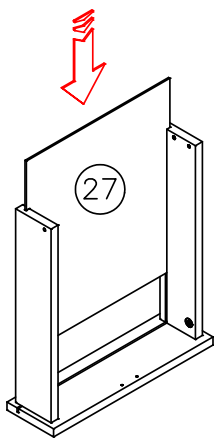
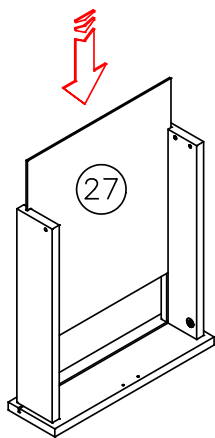
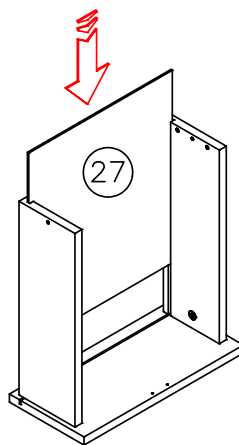
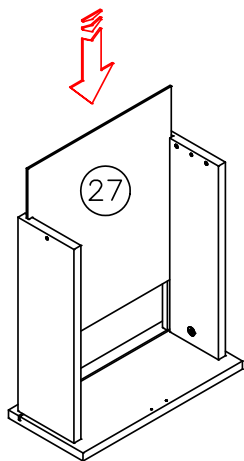
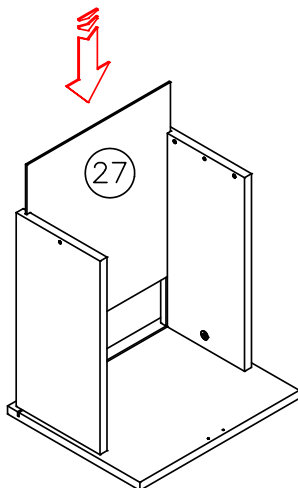
# Drawers Mounting

TM			12
TP1			12

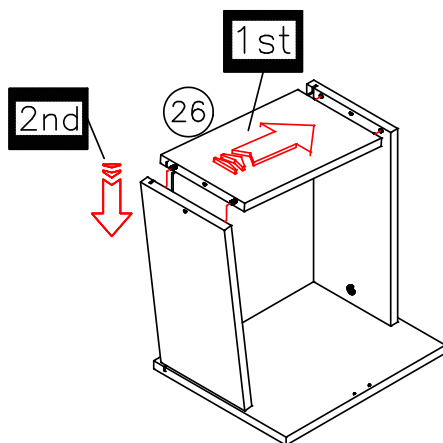
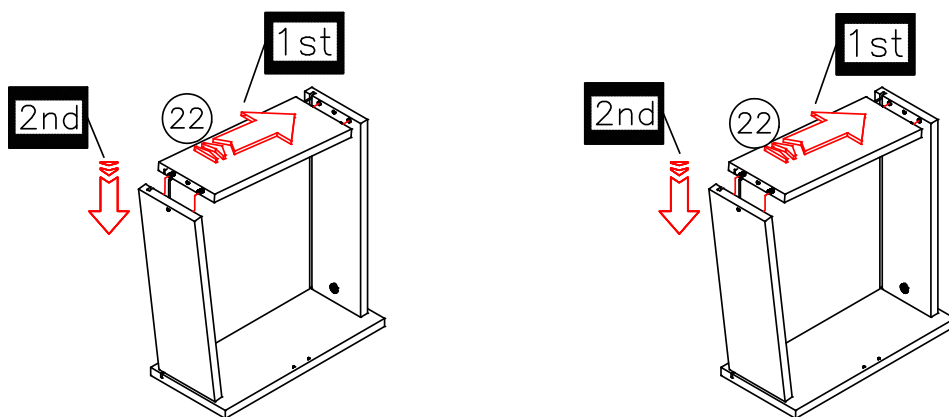
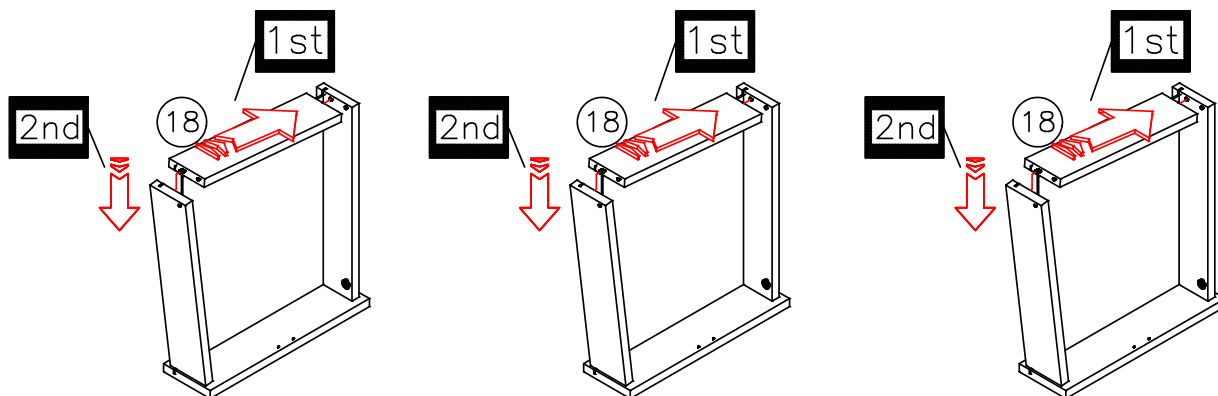


3

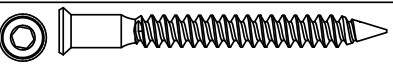

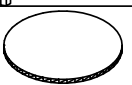
# Drawers Mounting

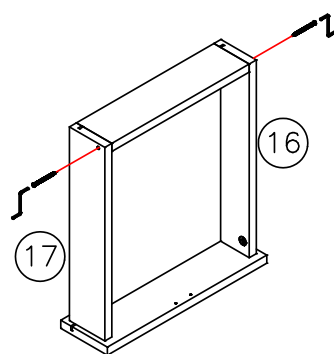
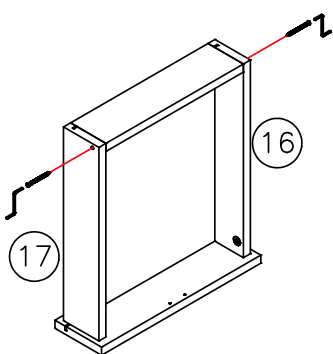
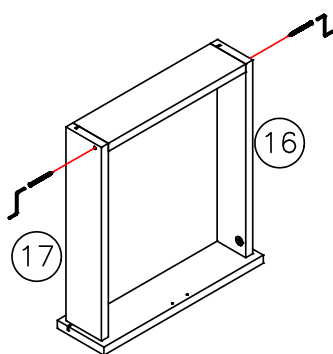
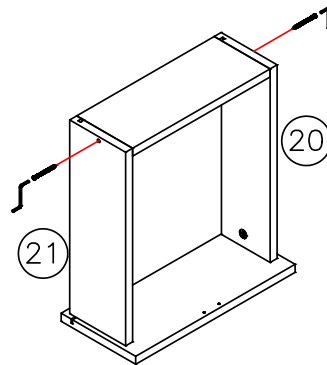
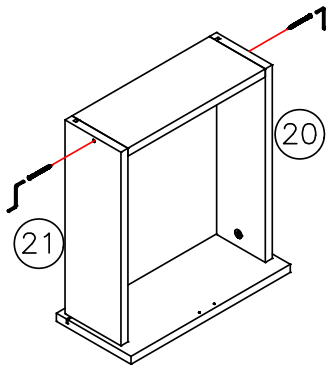
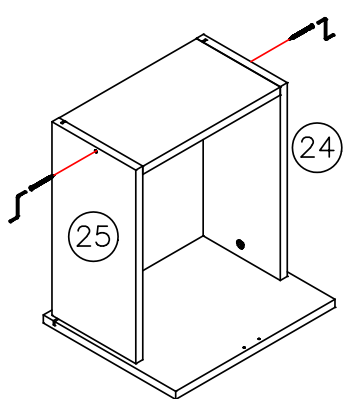
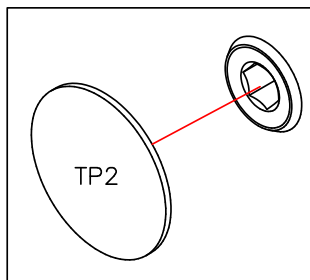
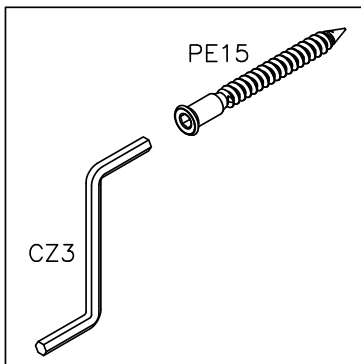


4





5

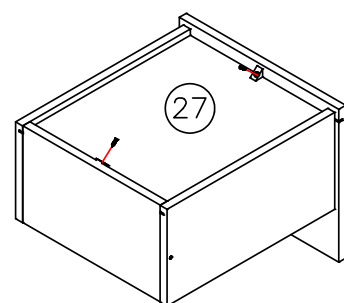
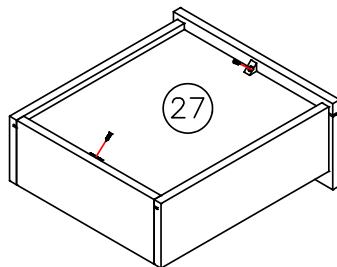
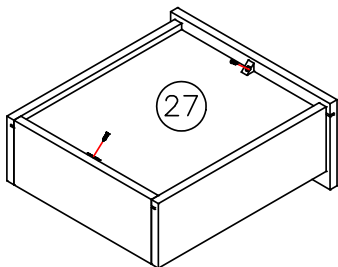
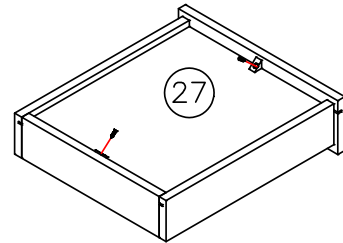
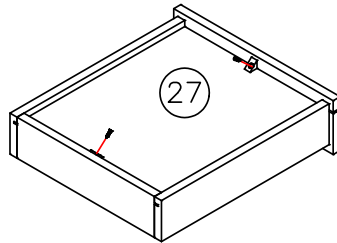
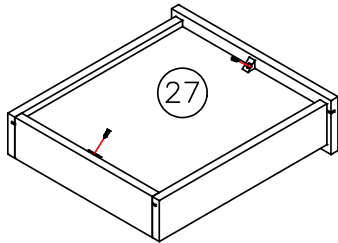
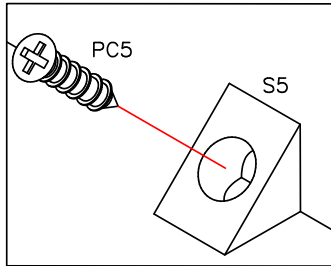
PE15		12
CZ3		1
TP2		12



6



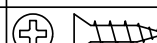
# Drawers Mounting

PC5		12
S5		12




7


# Drawers Mounting

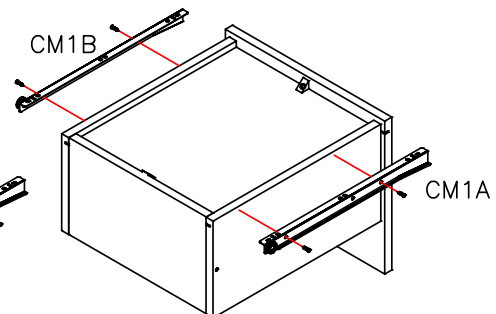
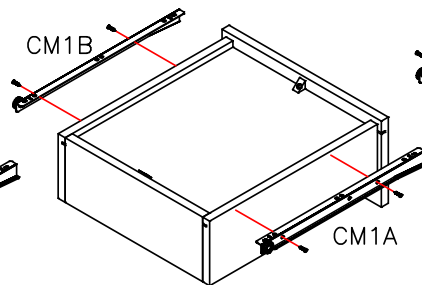
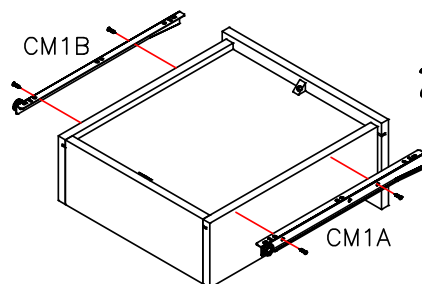
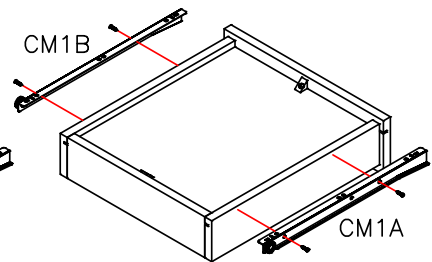
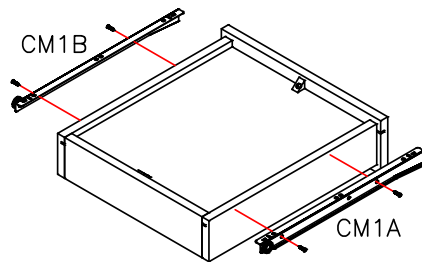
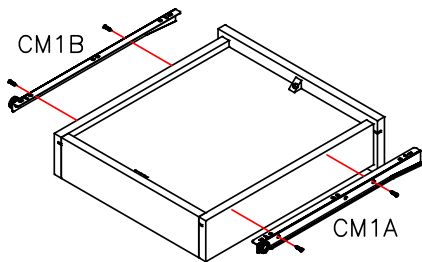
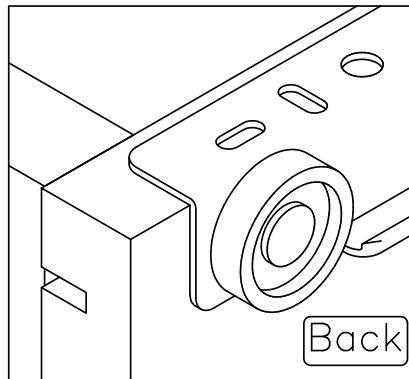
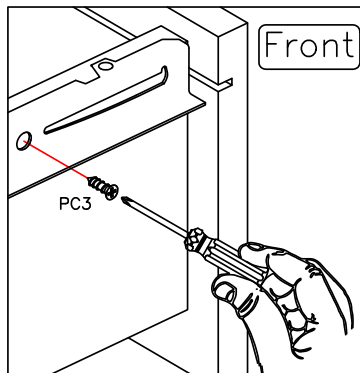
CM1A		6
CM1B		6
PC3		24

This QR code will take you to a YouTube video that will demonstrate how to properly install the Glide rail. You can also search YouTube for \*K1 GLIDE RAIL



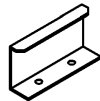

 Please ensure that these screws are complete screwed in. As failure to do so could cause issues when installing the drawer.

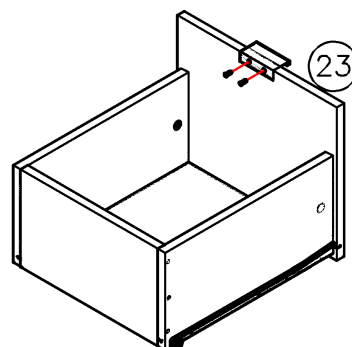
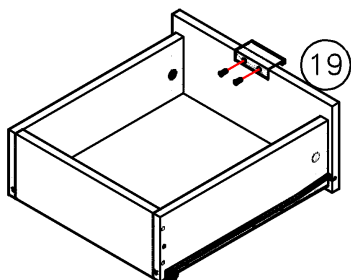
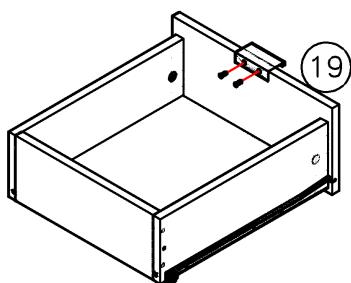
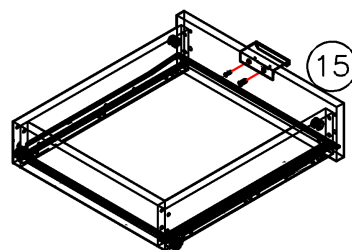
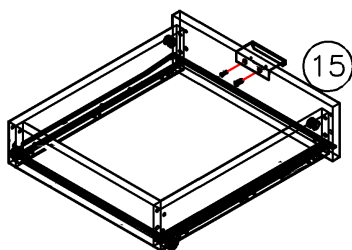
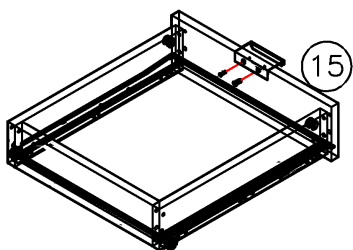
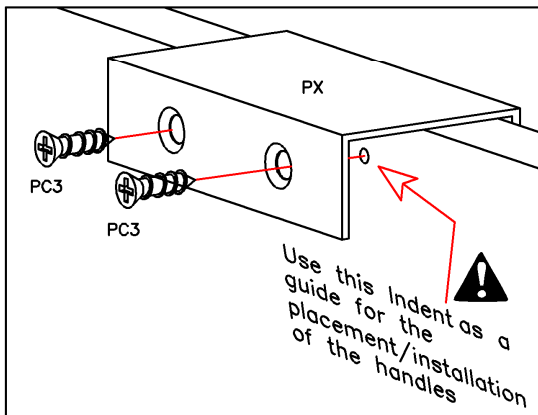
 Wheels should Always be towards the back of the Drawers



8

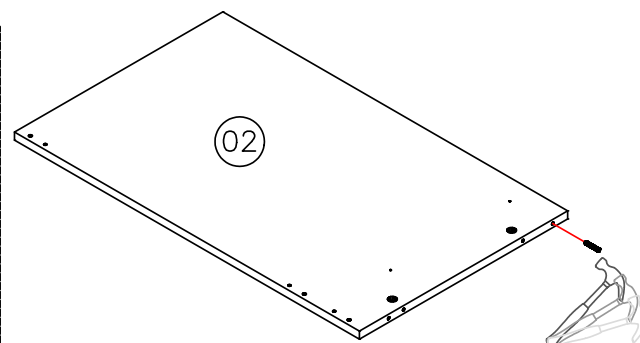
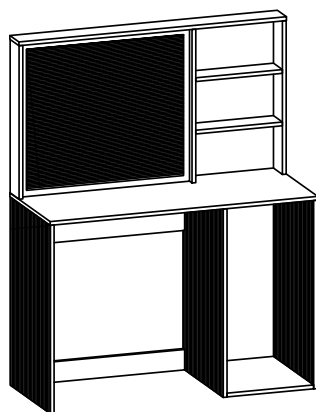
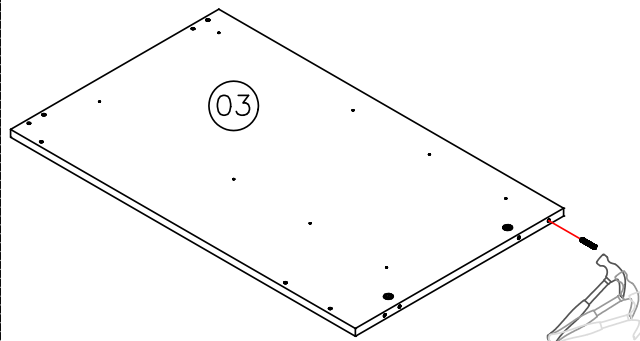
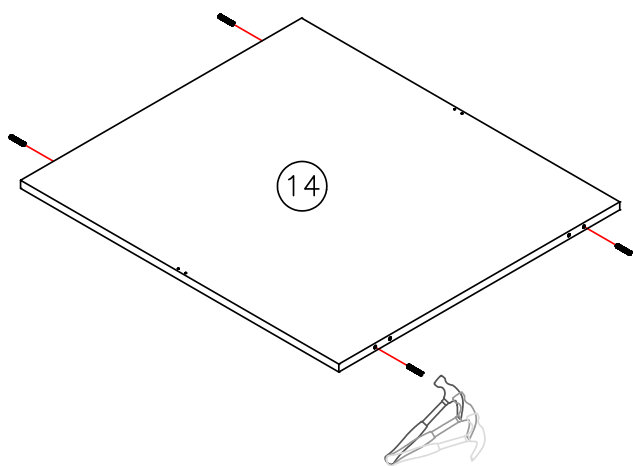
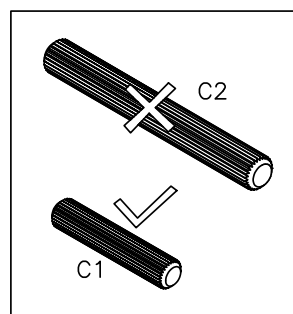
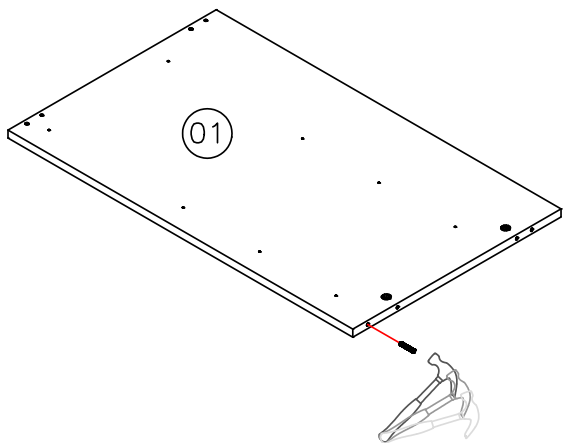
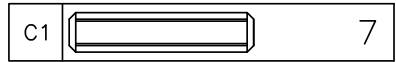
# Drawer final assembly

PX		6
PC3		12



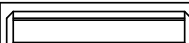
9

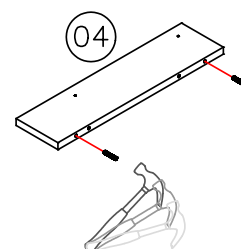
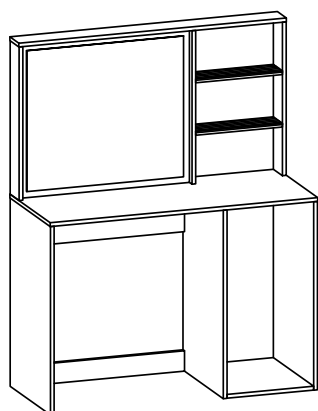
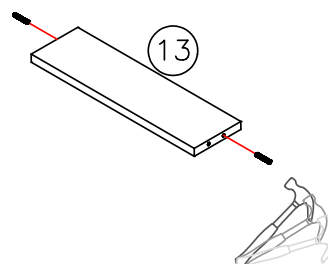
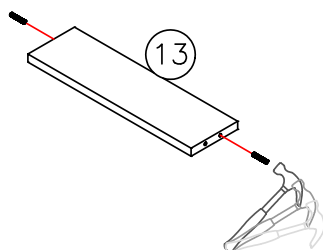
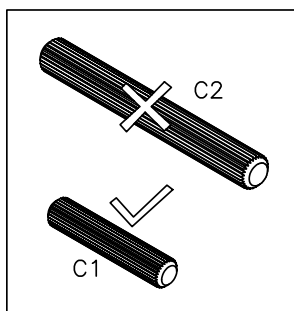
Preassembly of parts



10

# Preassembly of parts

C1  6



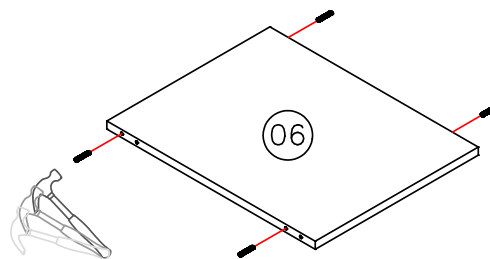
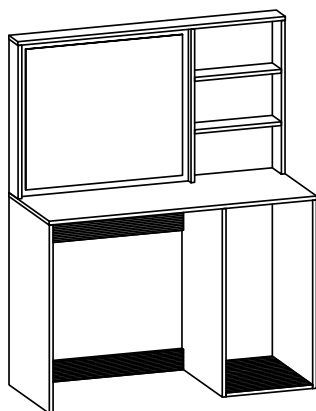
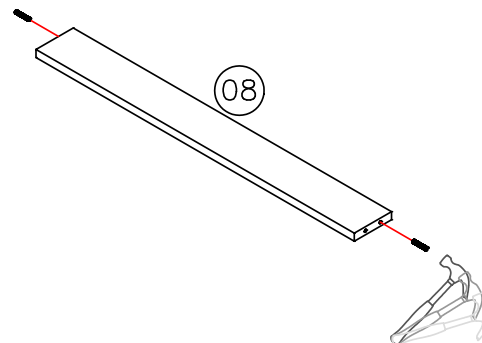
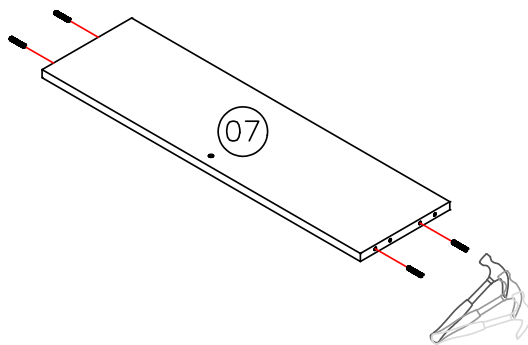
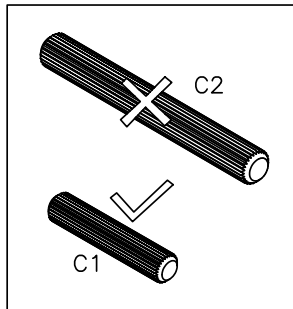
11

### Preassembly of parts

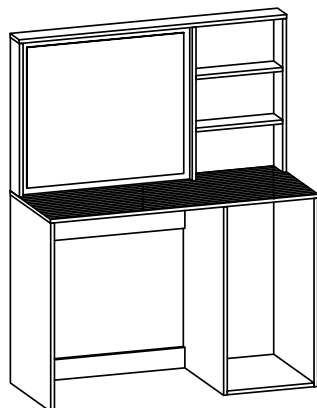
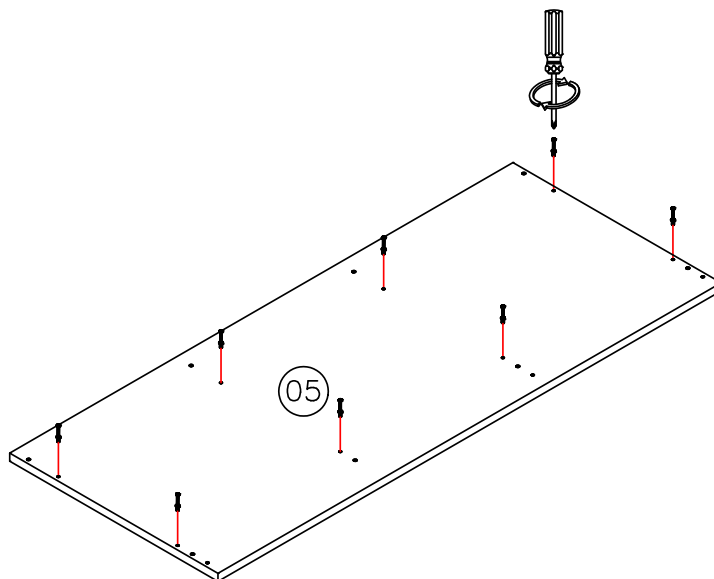
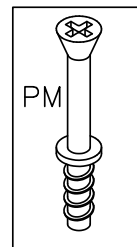
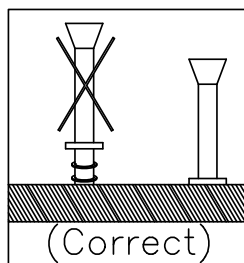
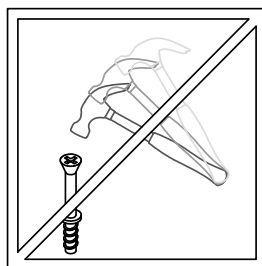
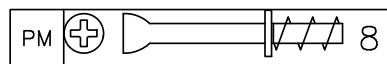
C1



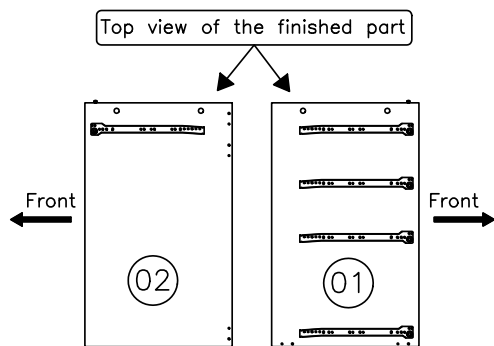
10



12

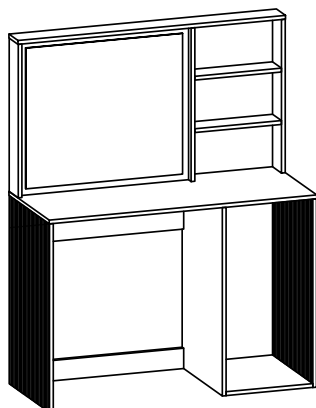
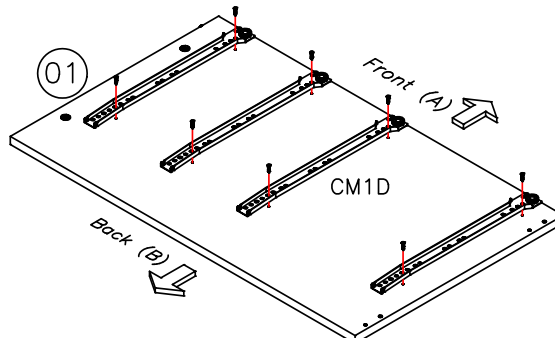
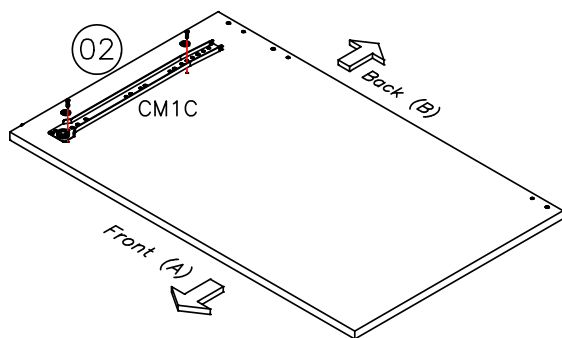
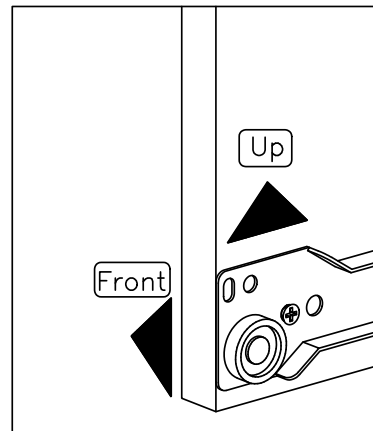
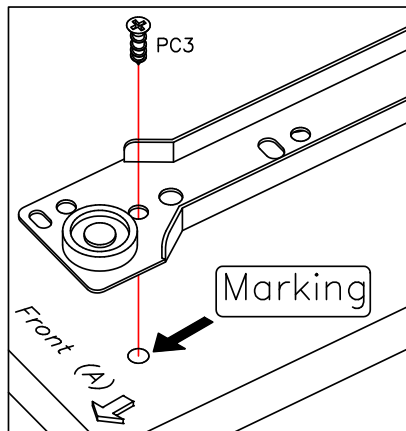
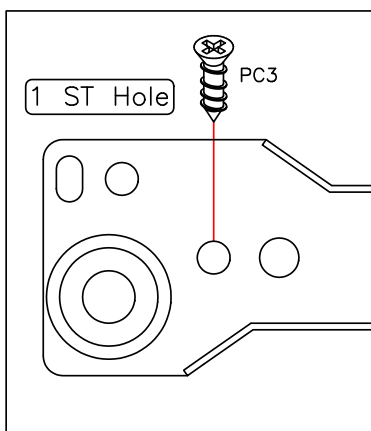


13



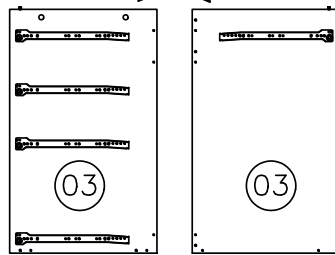
PC3		10
CM1C		1
CM1D		4

Detailed view of CORRECT hole location in the rail for the "PC3" Screw



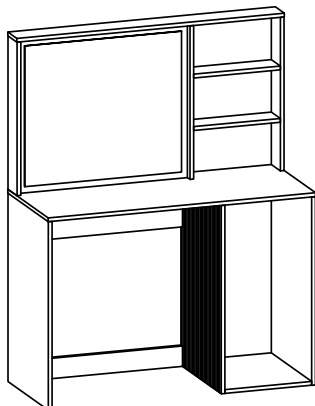
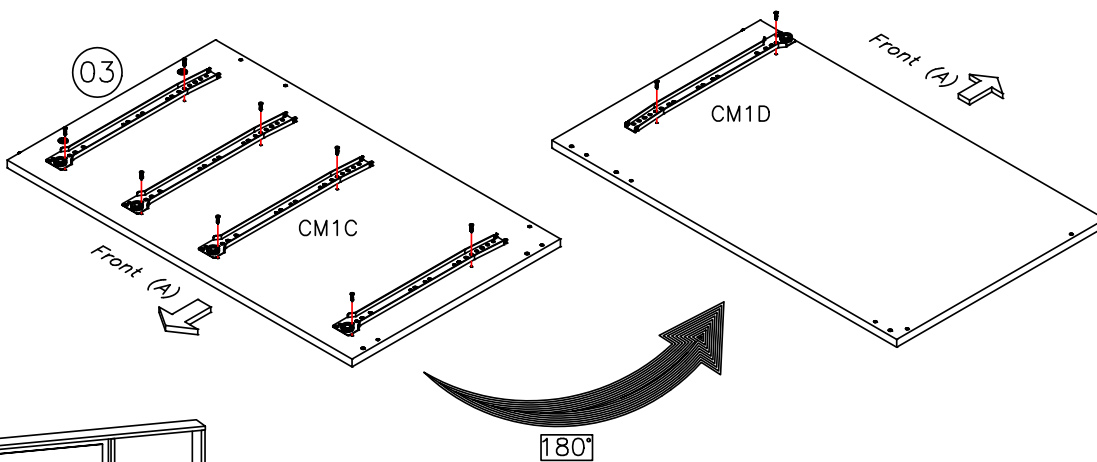
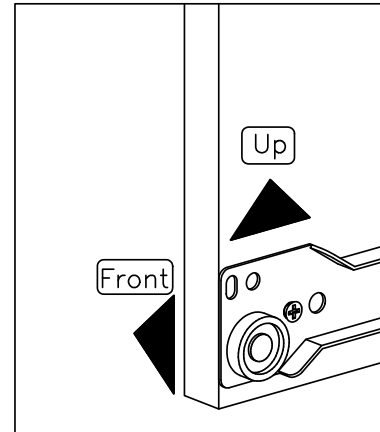
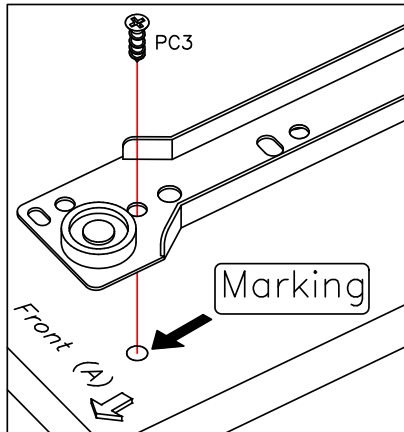
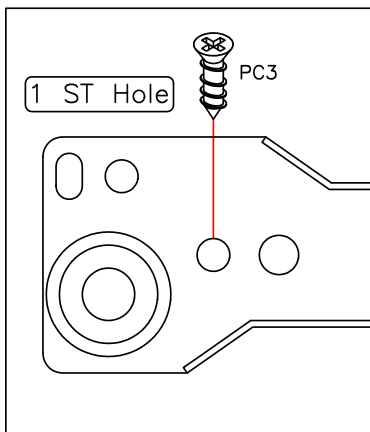
14

Top view of the finished part

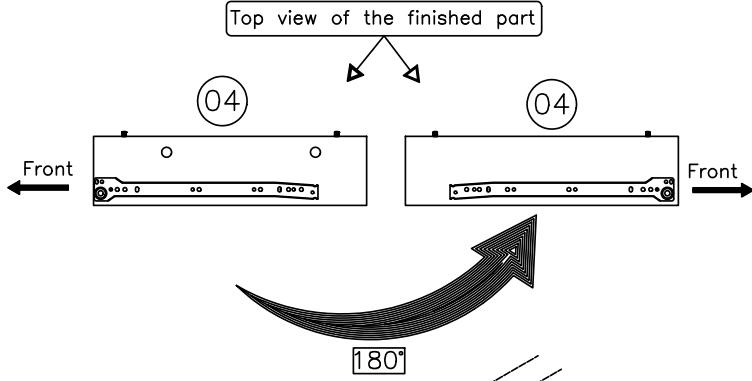


PC3		10
CM1C		4
CM1D		1

Detailed view of CORRECT hole location in the rail for the "PC3" Screw

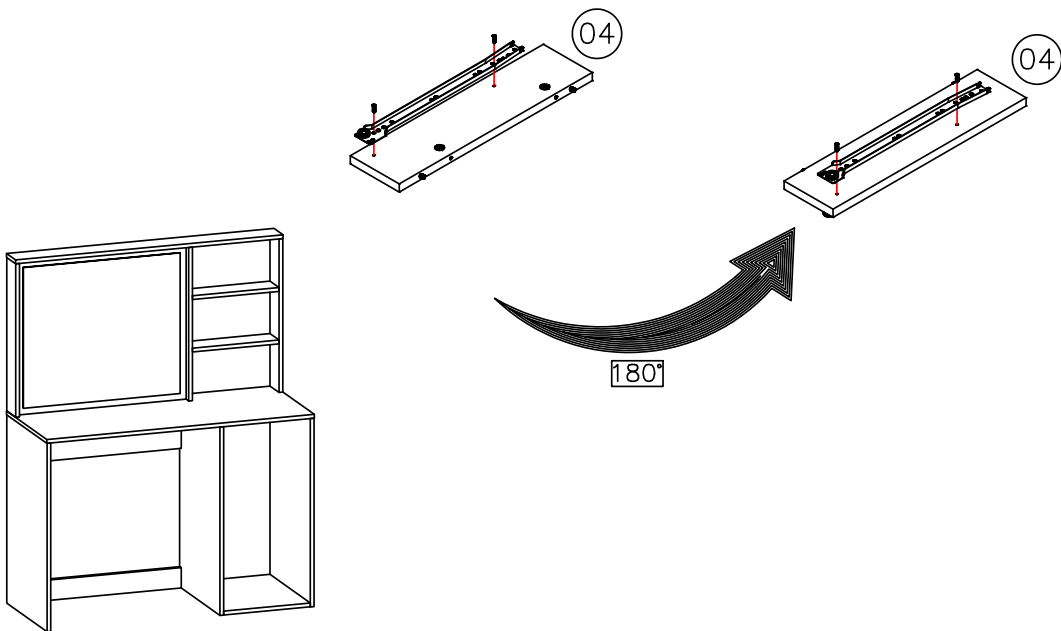
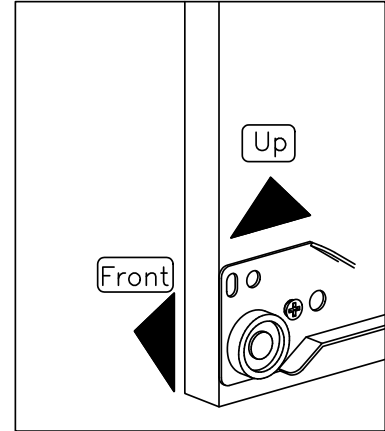
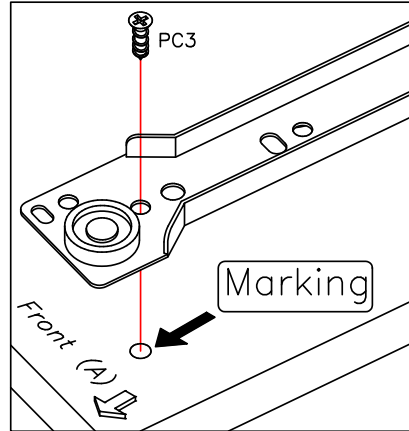
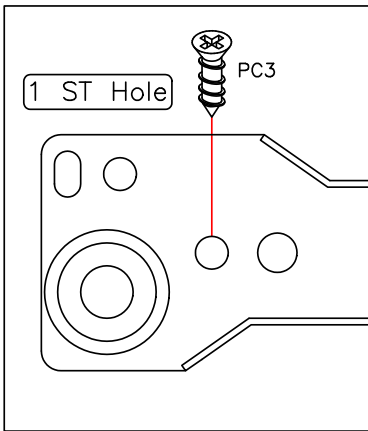


15



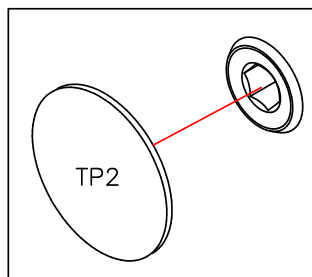
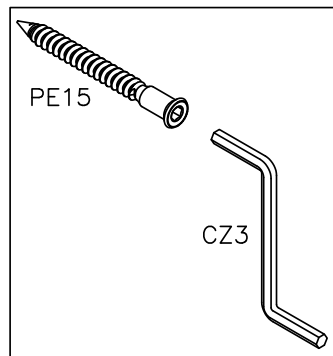
PC3		4
CM1C		1
CM1D		1

Detailed view of CORRECT hole location in the rail for the "PC3" Screw

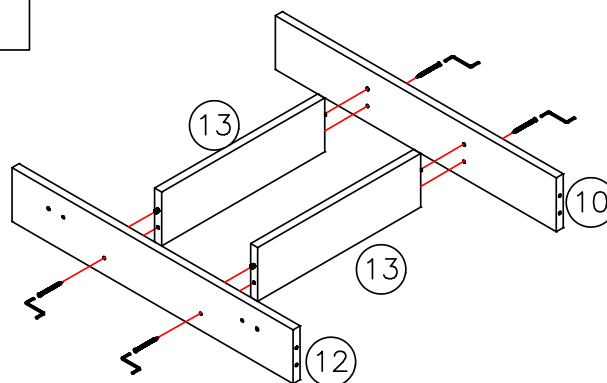


16

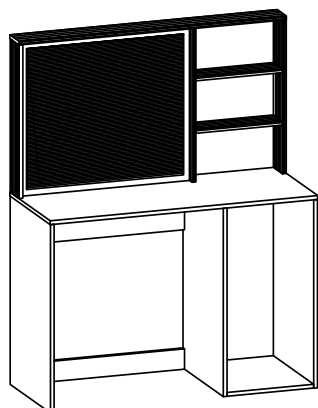
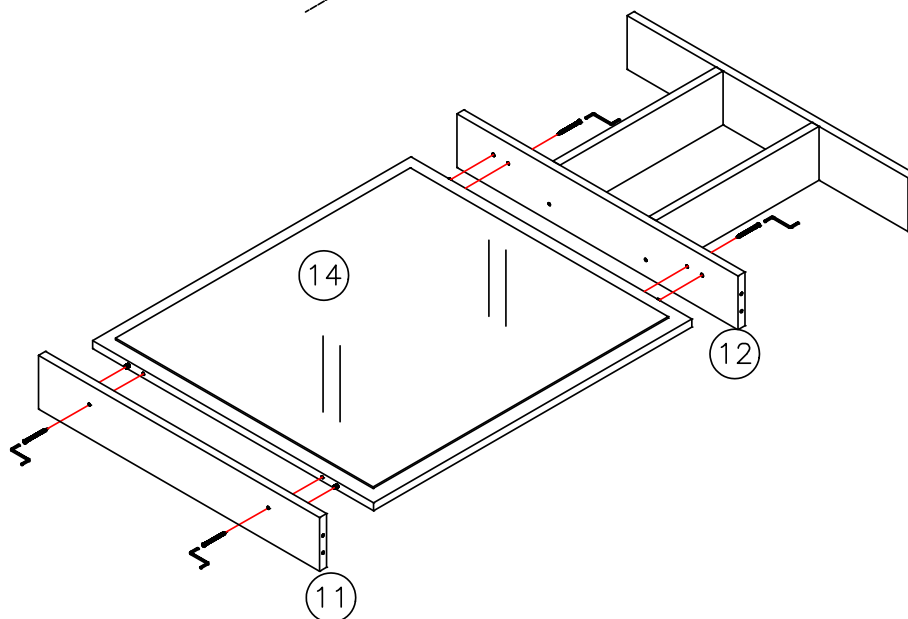
Product Assembly





PE15		8
CZ3		1
TP2		8

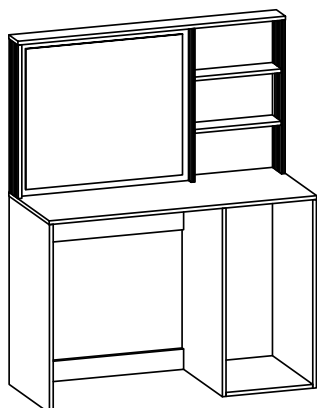
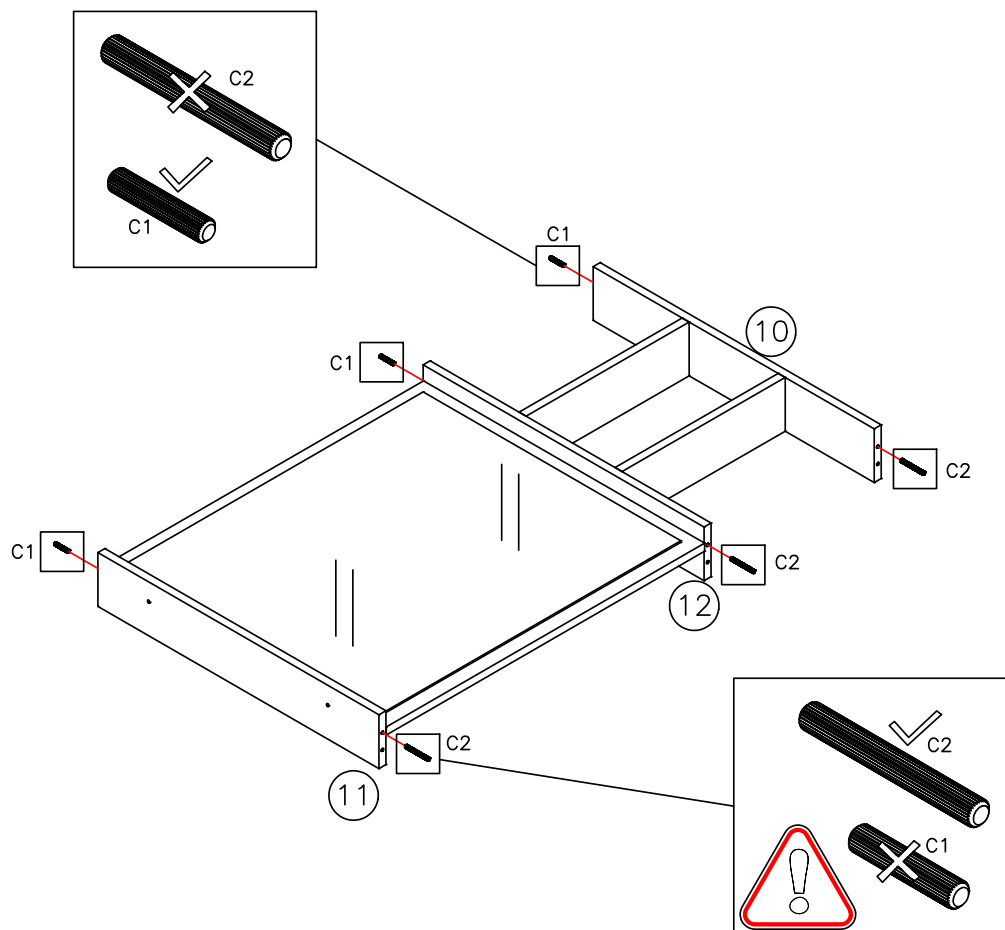


17


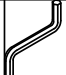



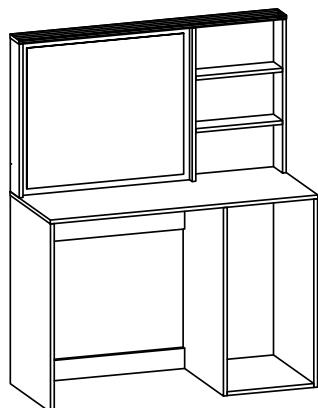
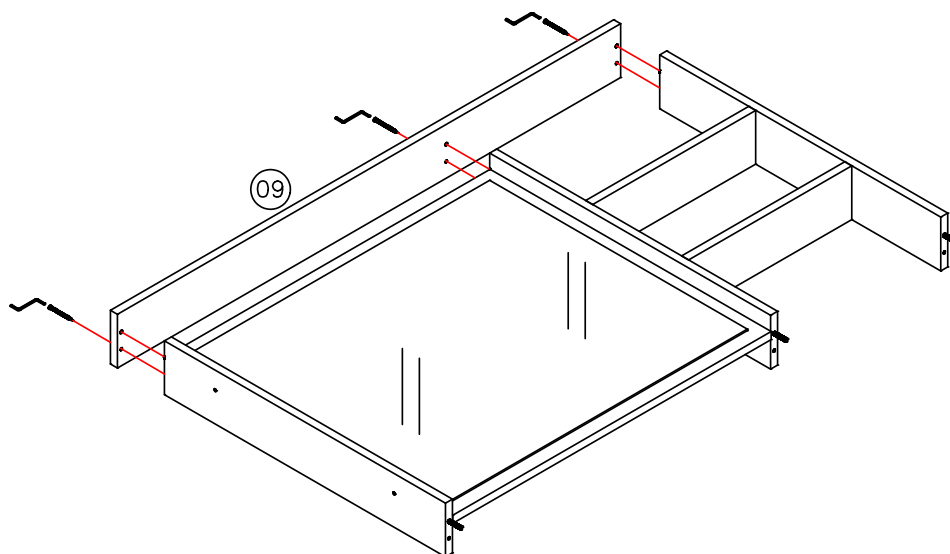
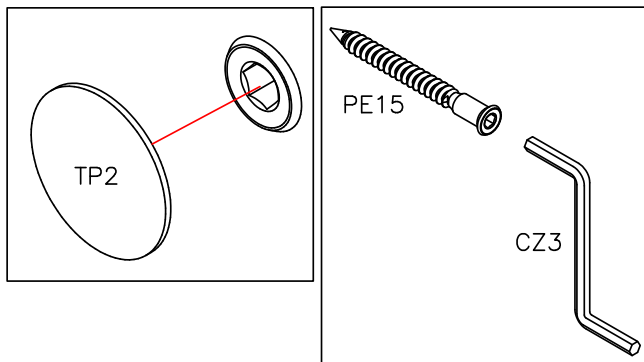
18

C2		3
C1		3

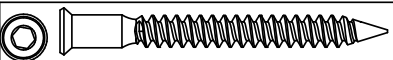
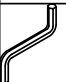



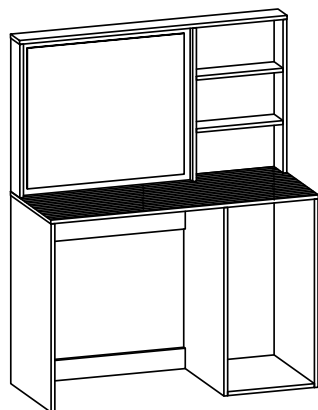
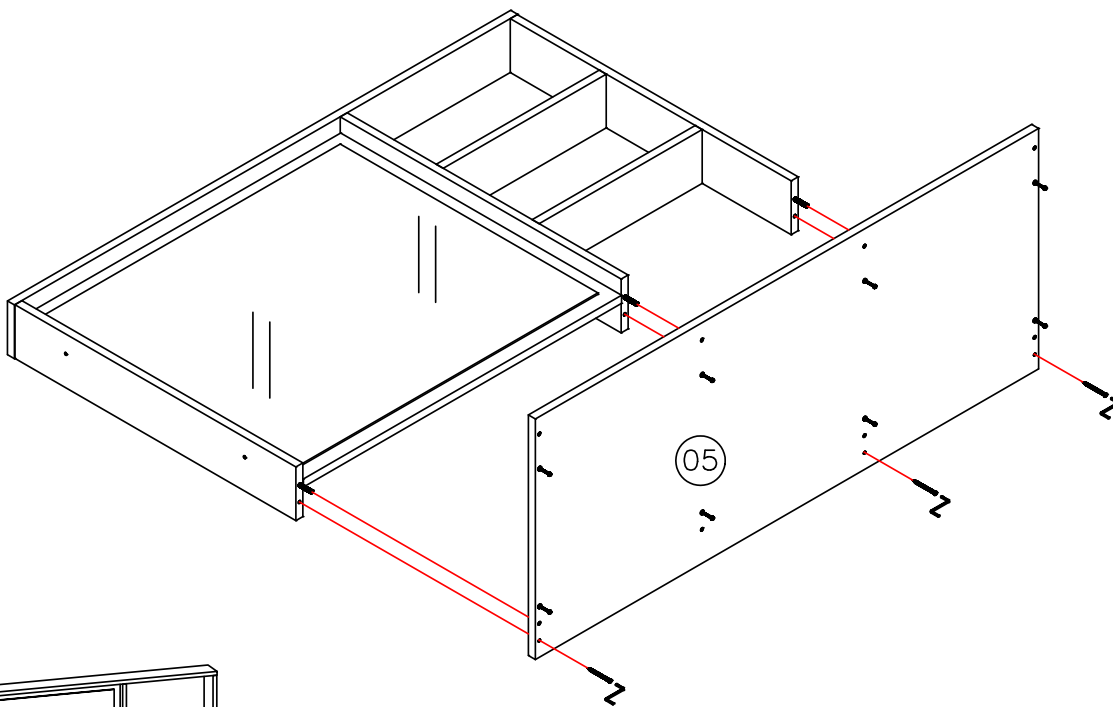
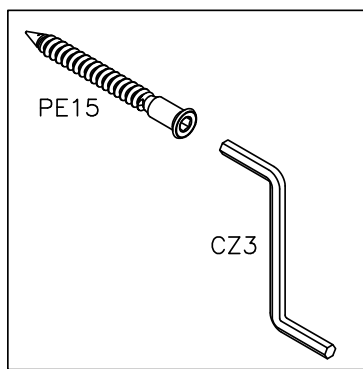
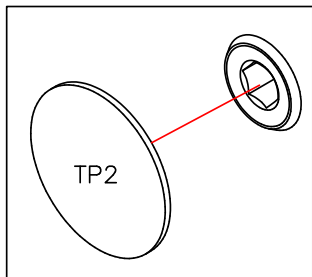
19

PE15		3
CZ3		1
TP2		3

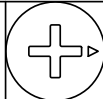
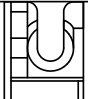



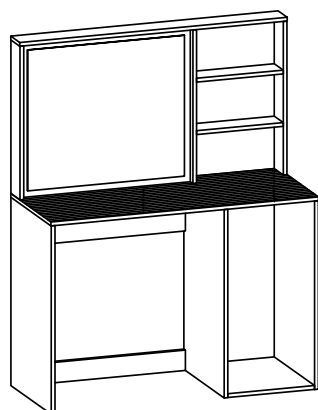
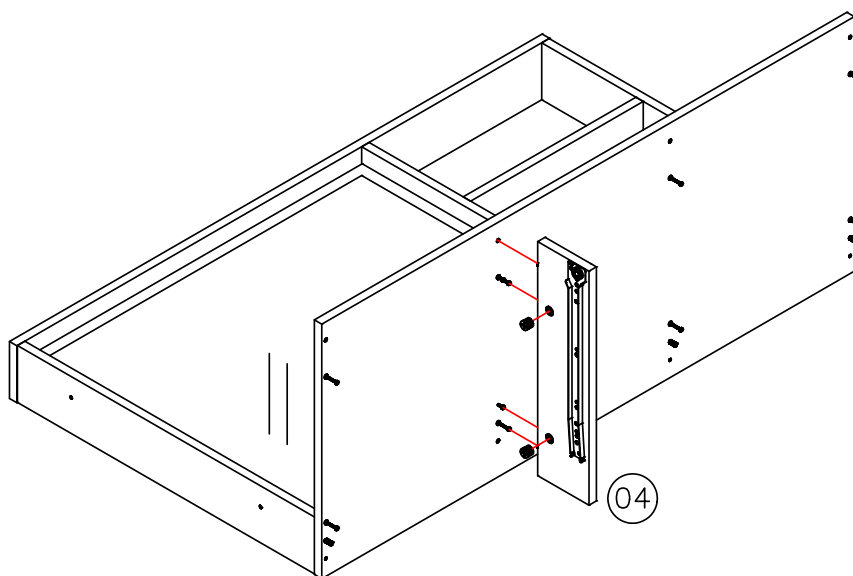
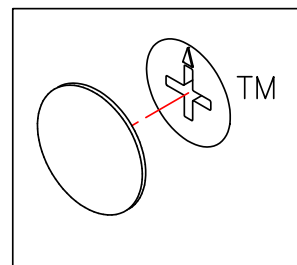
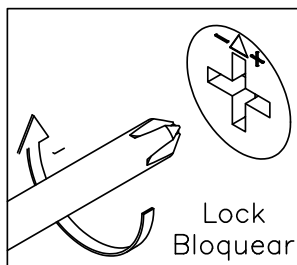
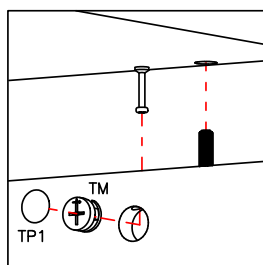
20

PE15		3
CZ3		1
TP2		3






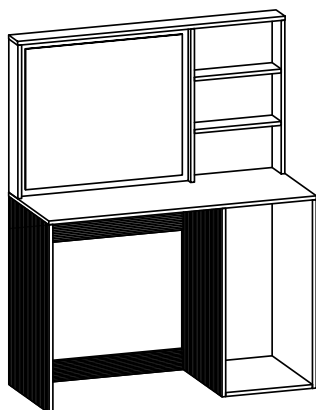
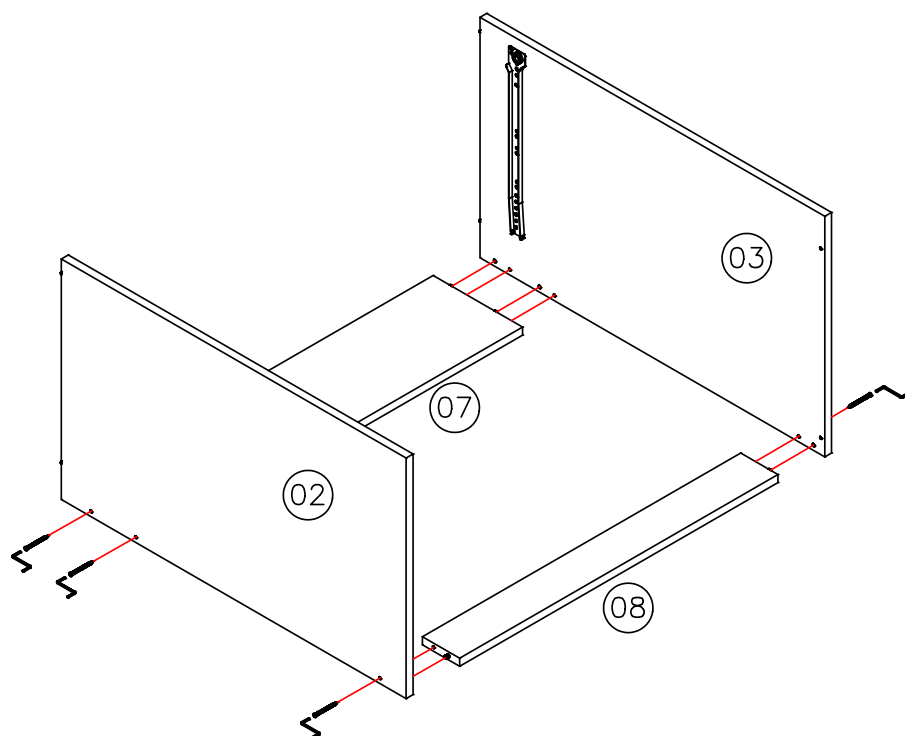
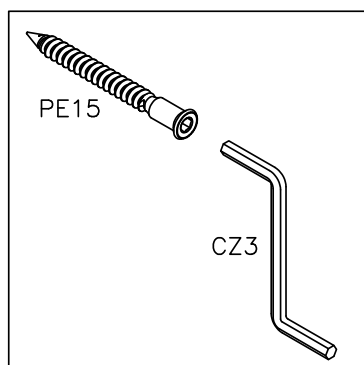
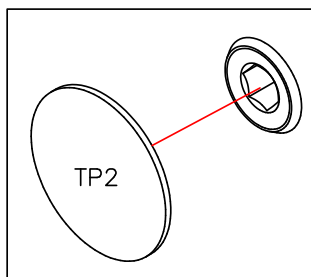
21

TM			2
TP1			2






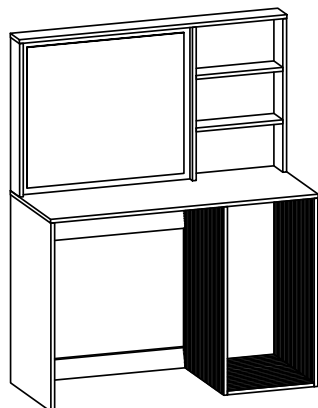
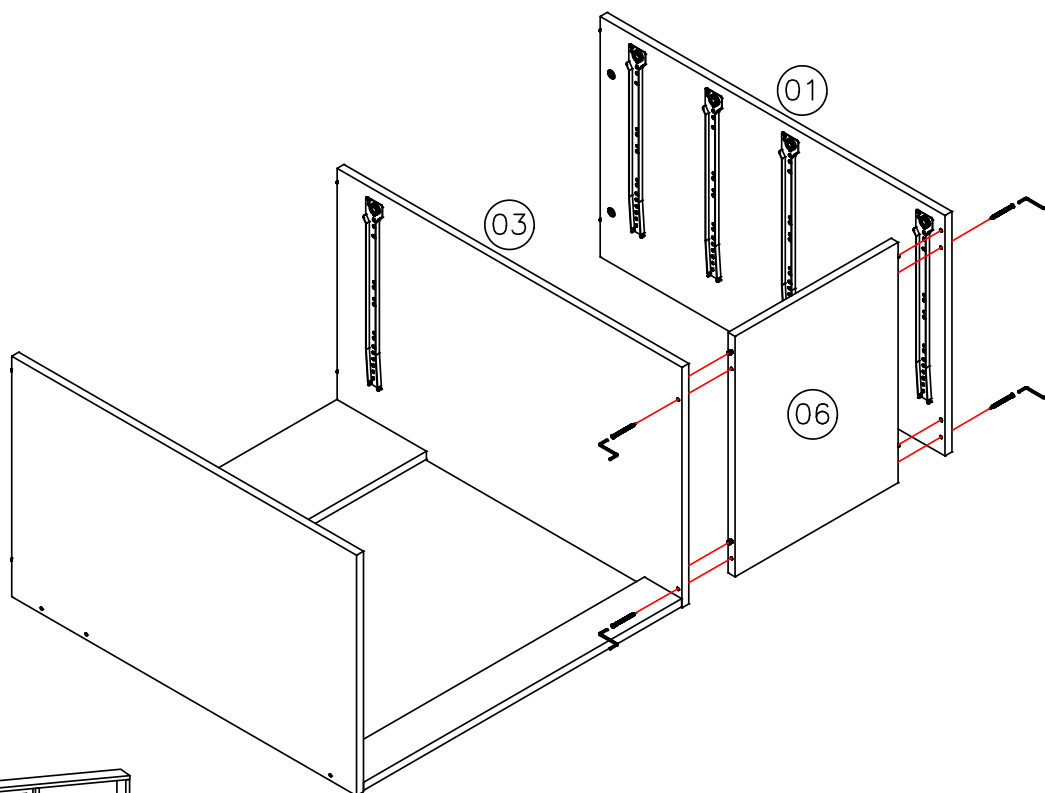
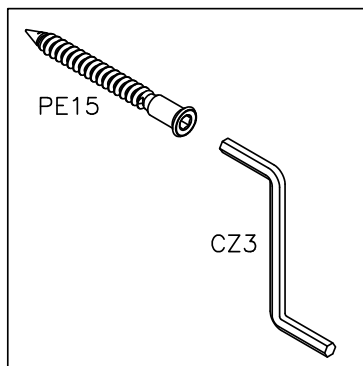
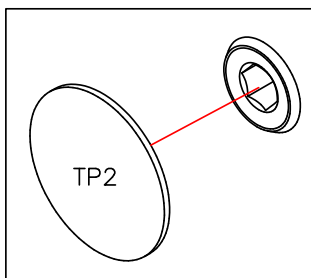
22

PE15		6
CZ3		1
TP2		6

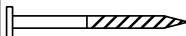



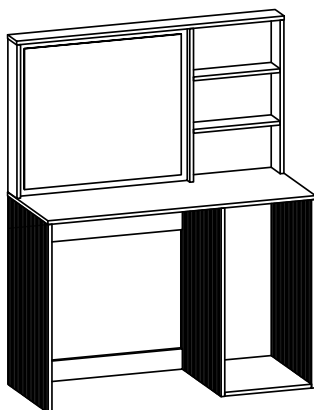
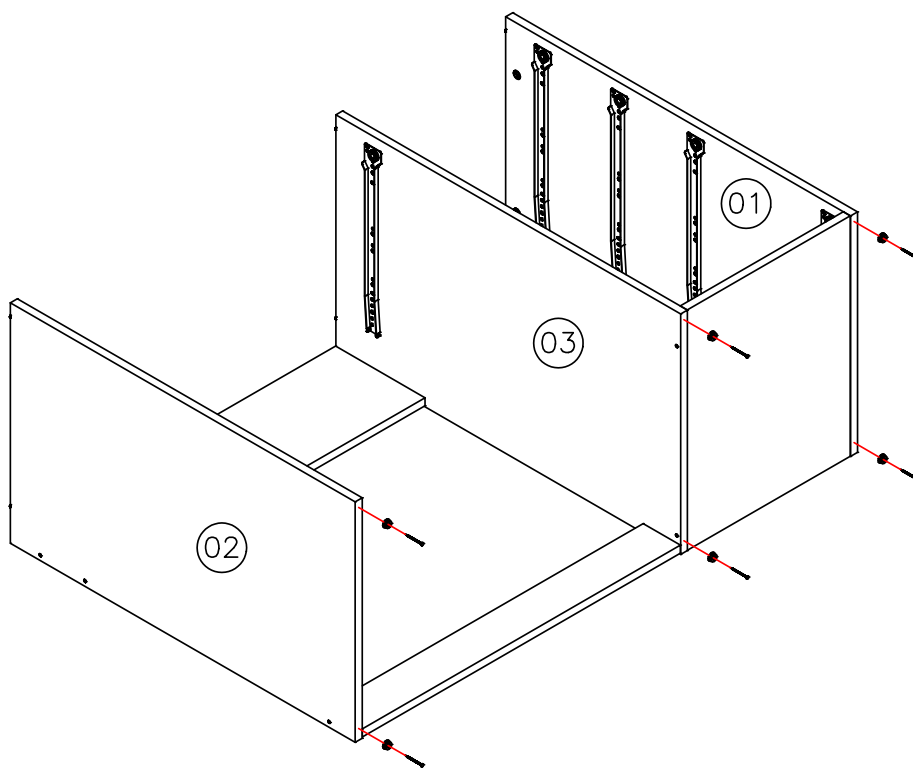
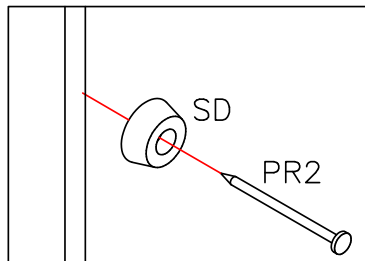
23

PE15		4
CZ3		1
TP2		4

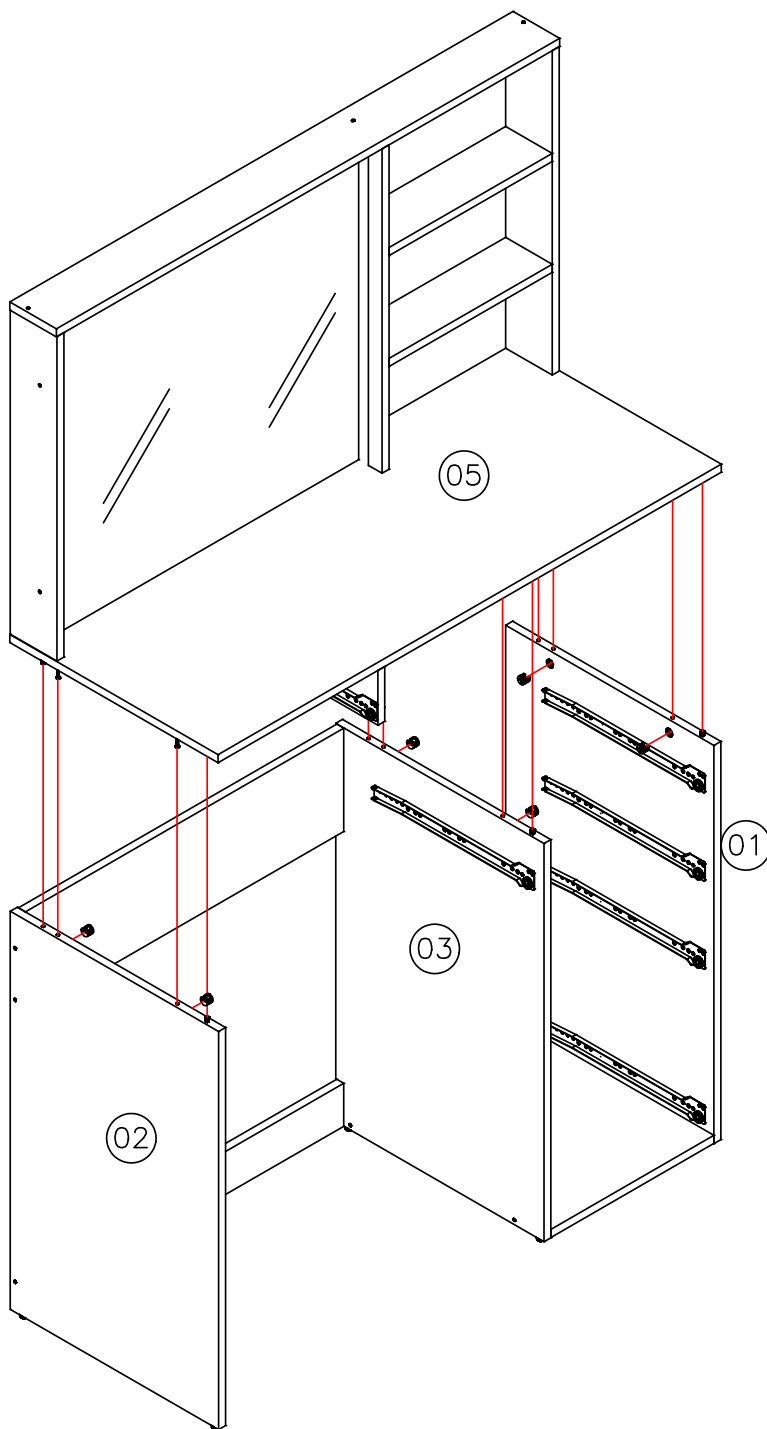


24

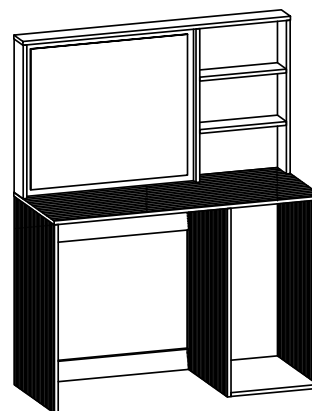
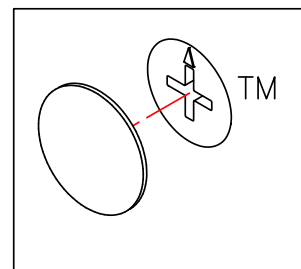
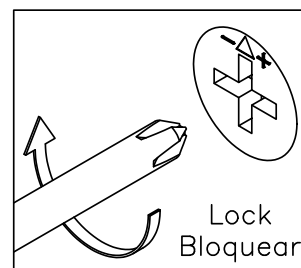
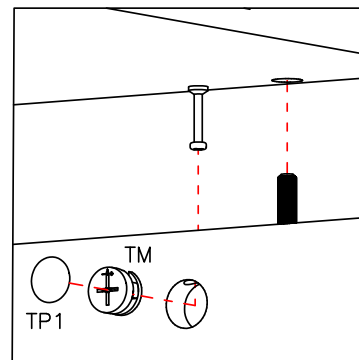
PR2		6
SD		6



25



TM			6
TP1			6



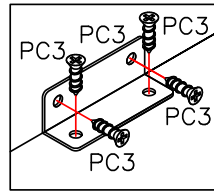
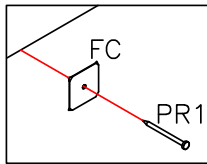
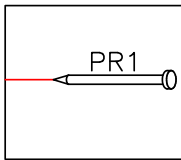
26



**Attention:** Ensure that when nailing the back parts in place, that it is being nailed as straight as possible to the top and sides.

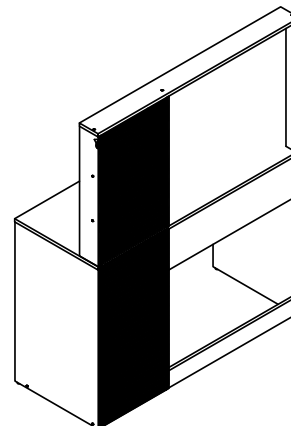
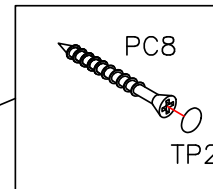
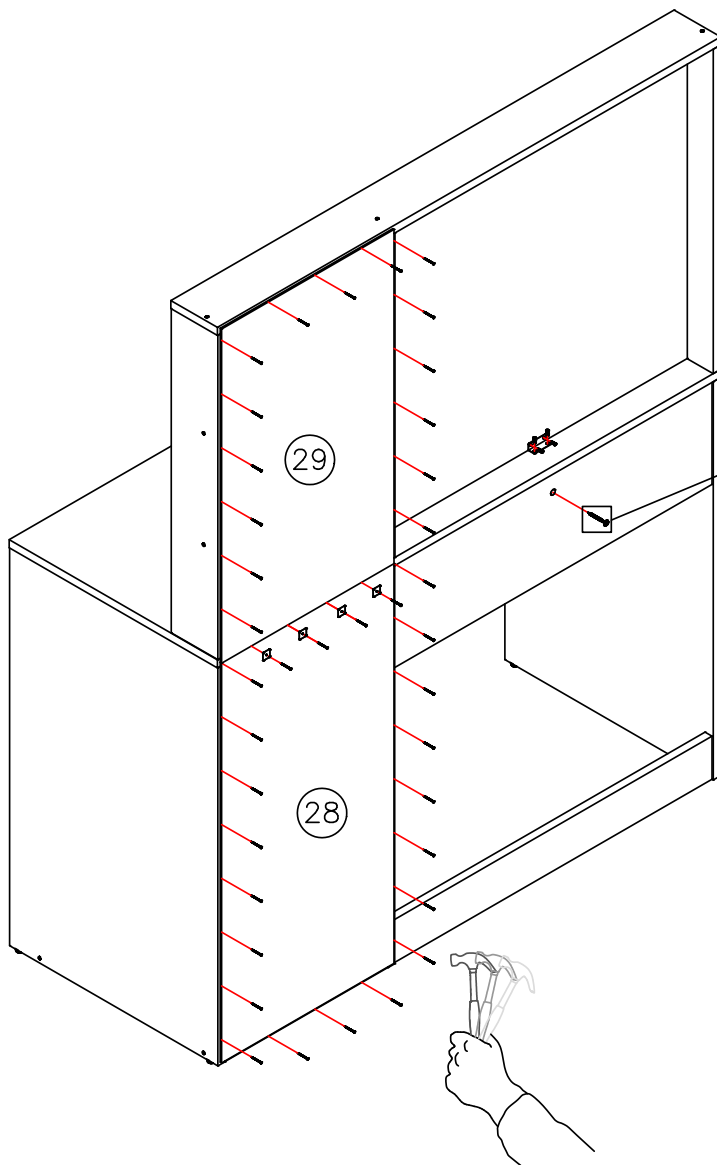
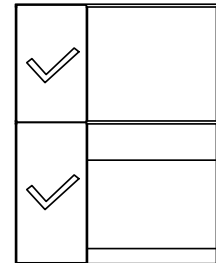
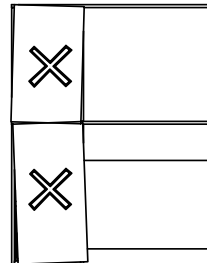
Failure to do so can make the drawers appear crooked.

After checking that the back panel is squared to the side and Top, nail the back panel in place.



PR1		43
FC		4
PC8		1
TP2		1
CG		2
PC3		8

Note: It is essential to place the furniture strait/squared to avoid problems with the functioning and alignment of the Drawers and Doors.

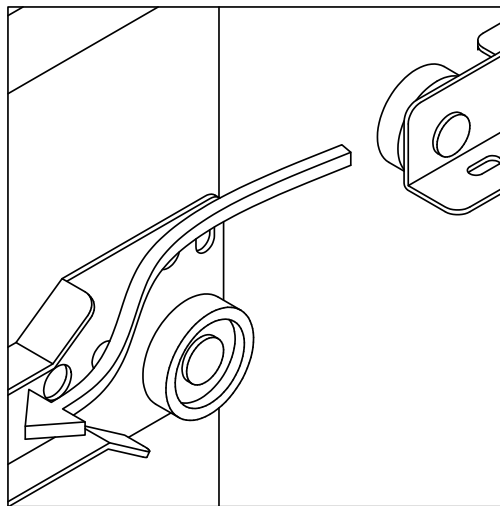
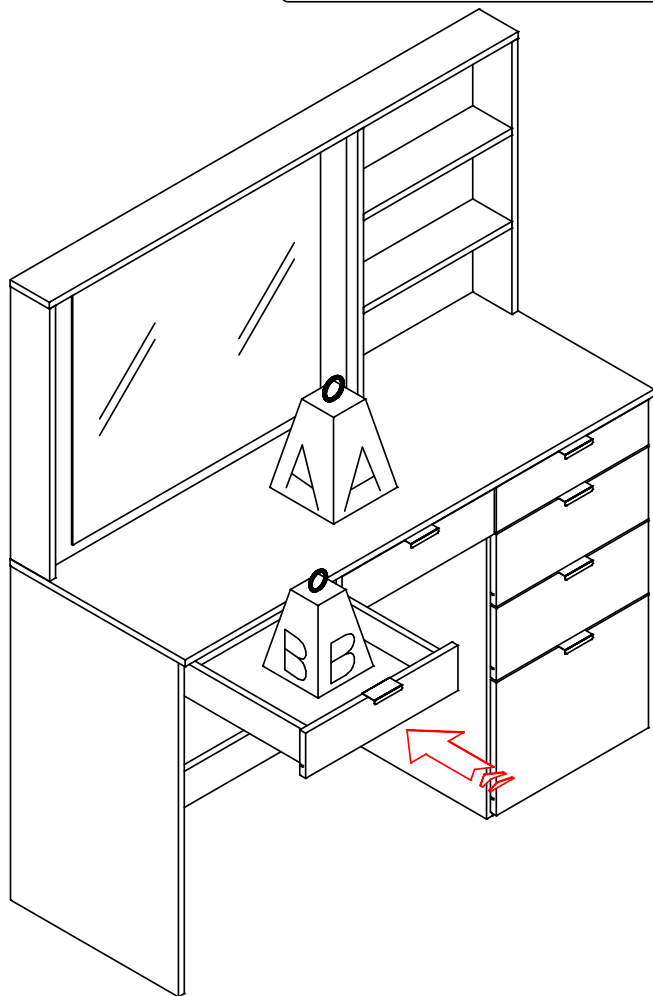


27

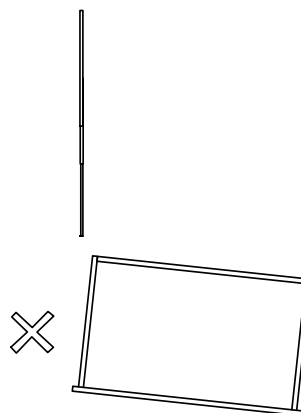
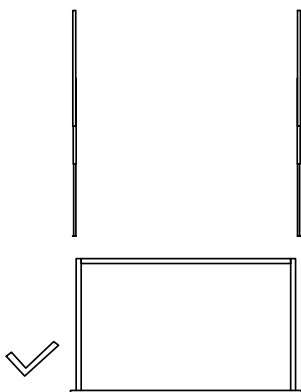


## Drawer installation

Insert the slide into the profile and close the drawer to finish locking the clip.



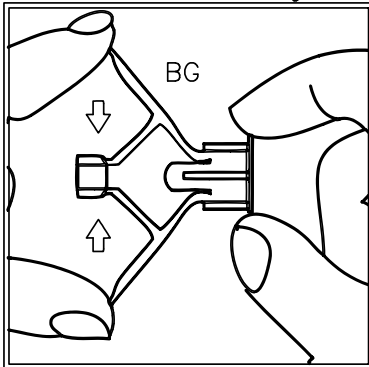
	Kg	lb
A	35	77.16lb
B	6	13.23lb



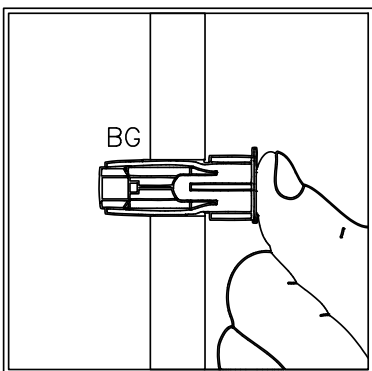
28

NOTE: Do not turn the DRYWALL ANCHOR into a wall stud. If you prefer to fasten the SAFETY ANTI-TIPPING to a wall stud, go to your local hardware store for proper hardware.

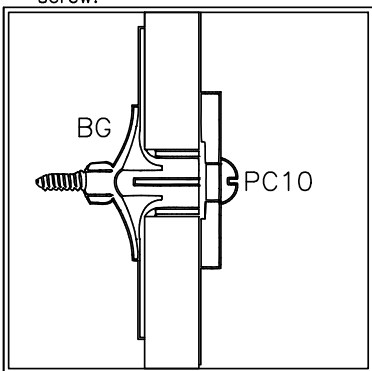
Compress the wings of anchor before inserting.



Insert the chuck into the hole of the base material.

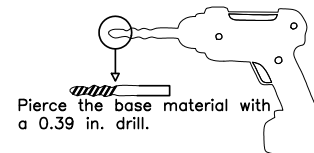
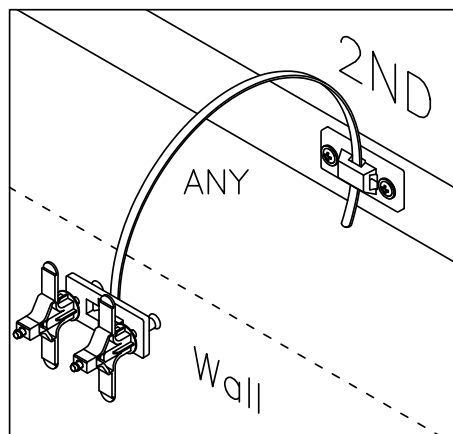
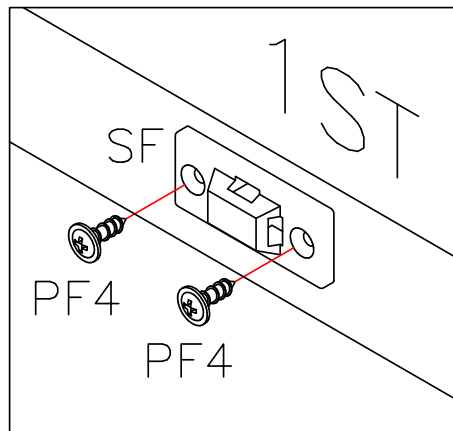


Position the object over the bushing and secure it with a screw.



**▲ WARNING –Anti-Tip Advisory**

Anti-tipping installation			
SF		Mounting bracket	2
ANY		Clamp	1
PC10		Screw 4,5x50	2
PF4		Screw 3,5x16 BC	2
BG		Anchor	2



Pierce the base material with a 0.39 in. drill.

**Important**

- The minimum length of the screw must be the bushing length + object thickness that will be fixed.
- To guarantee the wing expansion function of the bushing, after the screw head is at the object to be fixed, one must continue to rotate the screw until maximum torque is reached.

Potential of serious fatal crushing injuries may occur from furniture tip-over. To help prevent tip-over:

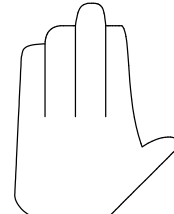
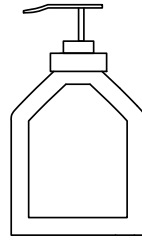
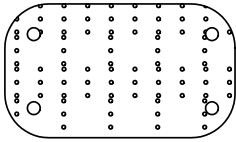
ALWAYS INSTALL the tip-over restrain that came with your furniture. This tip-over restrains only reduces but does NOT completely eliminate the risk of tip-over

- ALWAYS Place the heaviest items in the lowest/bottom drawer.
- NEVER place heavy objects on top of this product.
- NEVER allow children to scale/climb/hang on the drawers, doors, or shelves.
- NEVER open more than one drawer at a time.

**B ADVERTENCIA – Aviso antivuelco**

Pueden producirse lesiones graves por aplastamiento mortales debido al vuelco de los muebles. Para ayudar a prevenir vuelcos:

- o SIEMPRE INSTALE el sistema de retención que viene con sus muebles. Este sistema antivuelco solo reduce pero NO elimina por completo el riesgo de vuelco.
- o SIEMPRE coloque los artículos más pesados en el cajón más bajo /inferior.
- o NUNCA coloque objetos pesados encima de este producto.
- o NUNCA permita que los niños escalen, trepen o se cuelguen de los cajones, puertas o estantes.
- o NUNCA abra más de un cajón a la vez



To Remove the printed number, apply a small amount of Glass Cleaner or Hand sanitizer and wipe with a paper towel.

