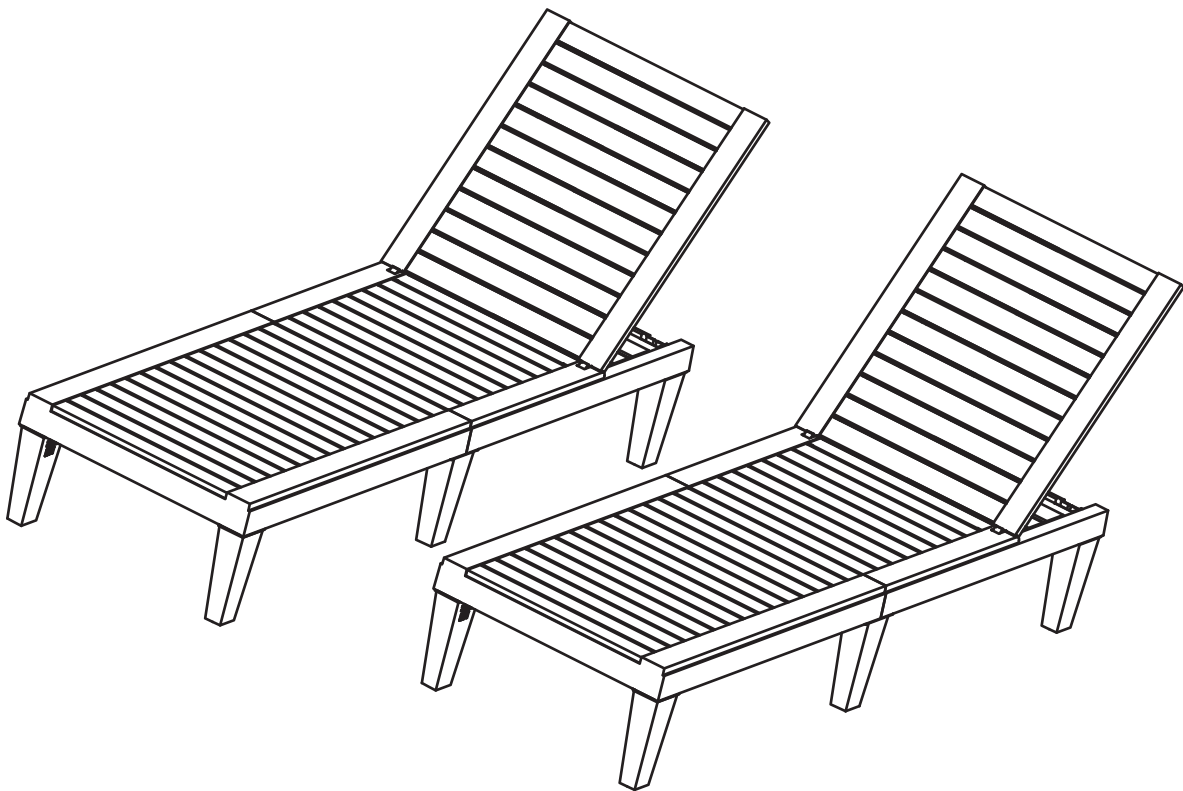


nestl[®]

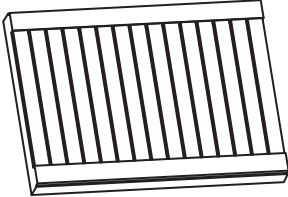
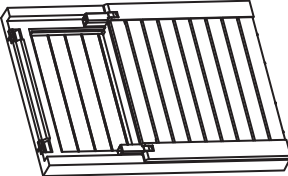
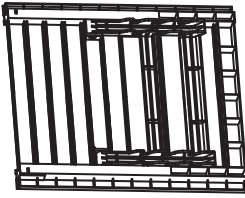
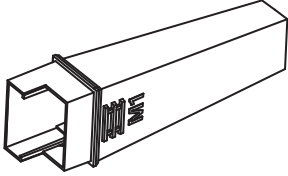
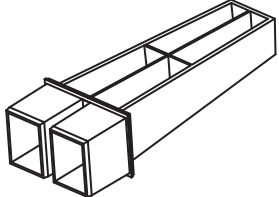
Assembly Instructions
Outdoor Lounge Chairs
Set of Two



Welcome Guide

Contents

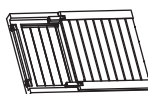
Before getting started, ensure the package contains the following components:

Part		Quantity
Chair Top Half (F)	 A rectangular chair seat with vertical slats and a front edge.	x2
Chair Bottom Half (B)	 A rectangular chair seat with vertical slats, similar to the top half but with a different internal structure.	x2
Chair Back Rest (CB)	 A rectangular chair backrest with vertical slats and a curved top edge.	x2
Legs (M1)	 A long, narrow rectangular leg with a U-shaped notch at one end.	x8
Legs (M2)	 A long, narrow rectangular leg with a U-shaped notch at one end, similar to M1 but with a different internal structure.	x4

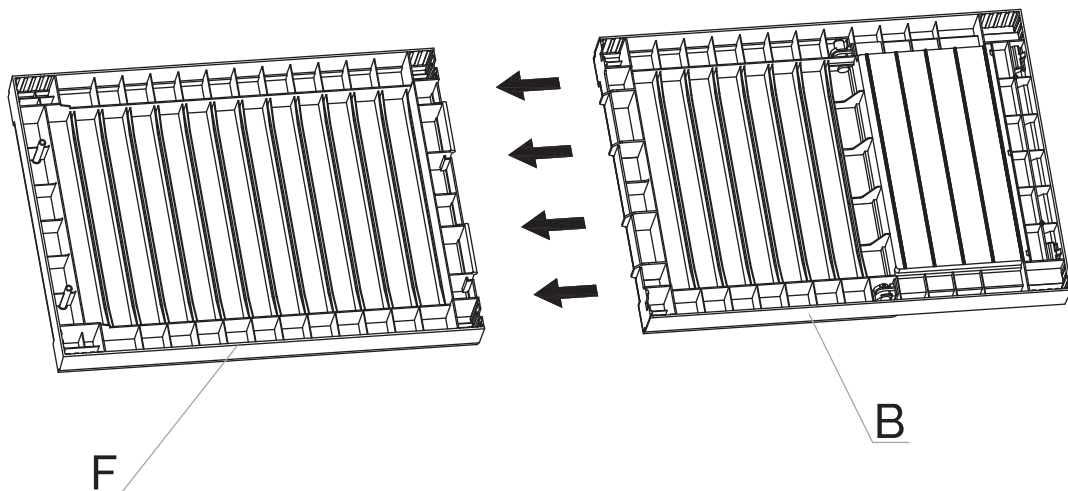
1.



F (x1)



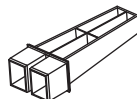
B (x1)



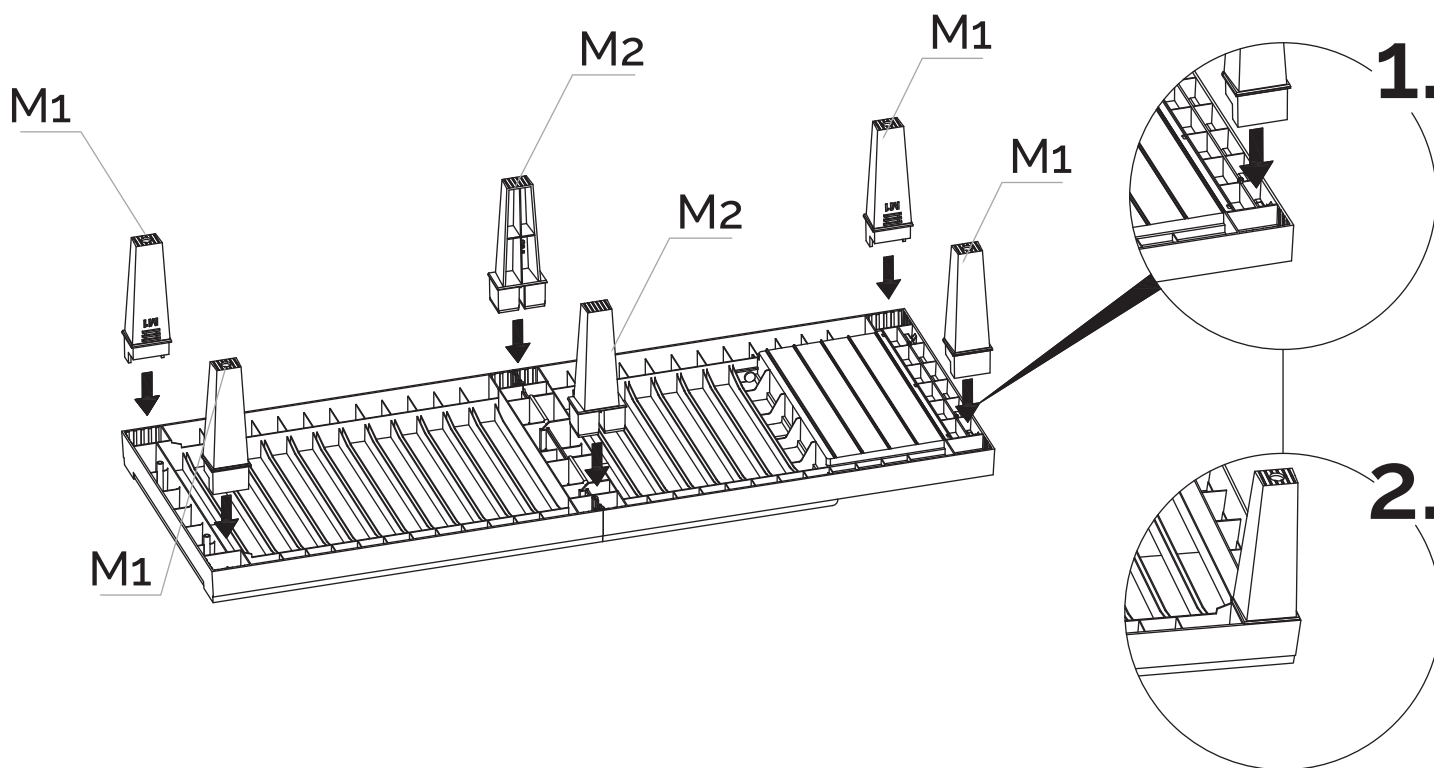
2.



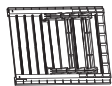
M1 (x4)



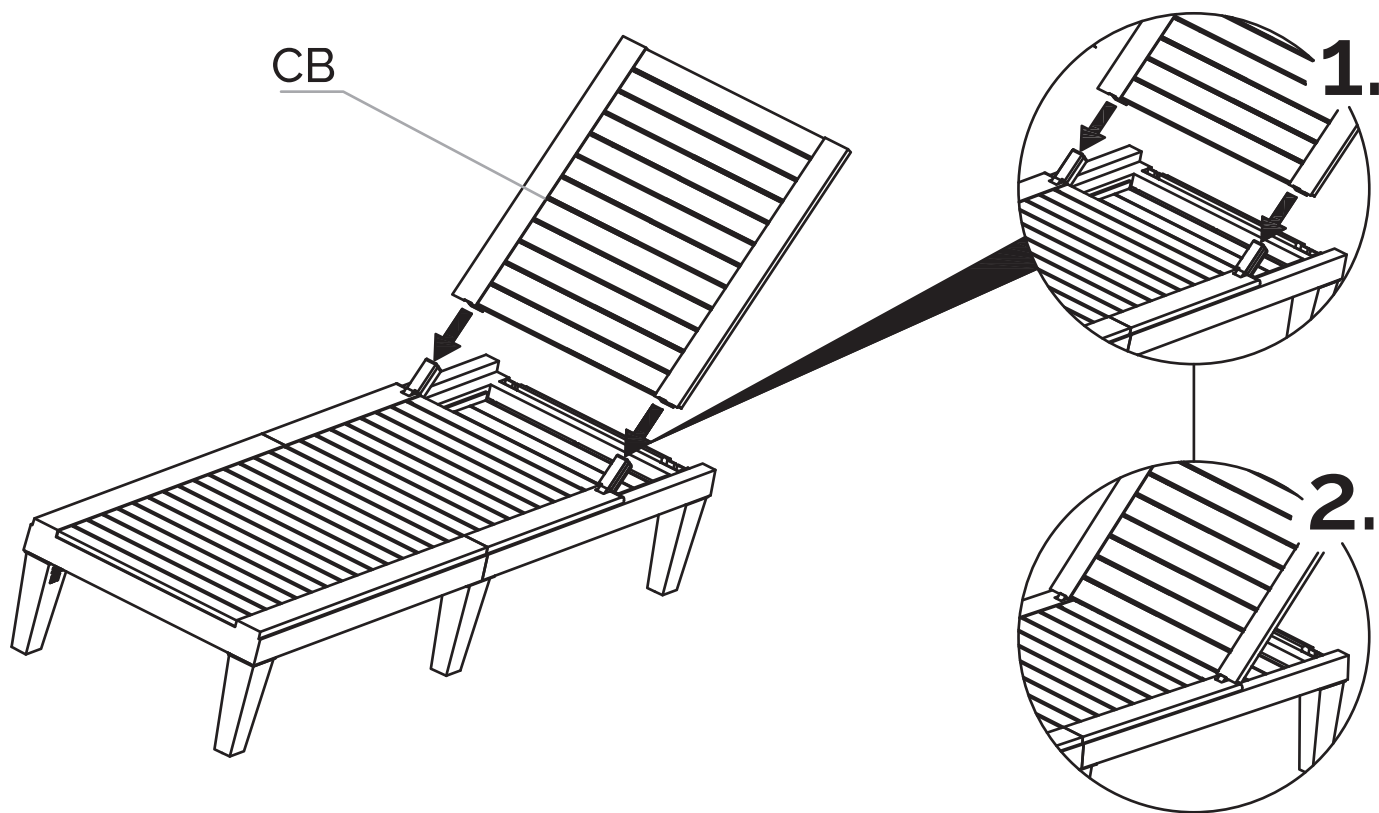
M2 (x2)



3.



CB (x1)



4. Completed



Questions?

We're here to help. Call us at (845) 402-0665 or email us at cs@nestl.com

nestl[®]

nestl.com

3YR Limited Warranty
MADE IN CHINA