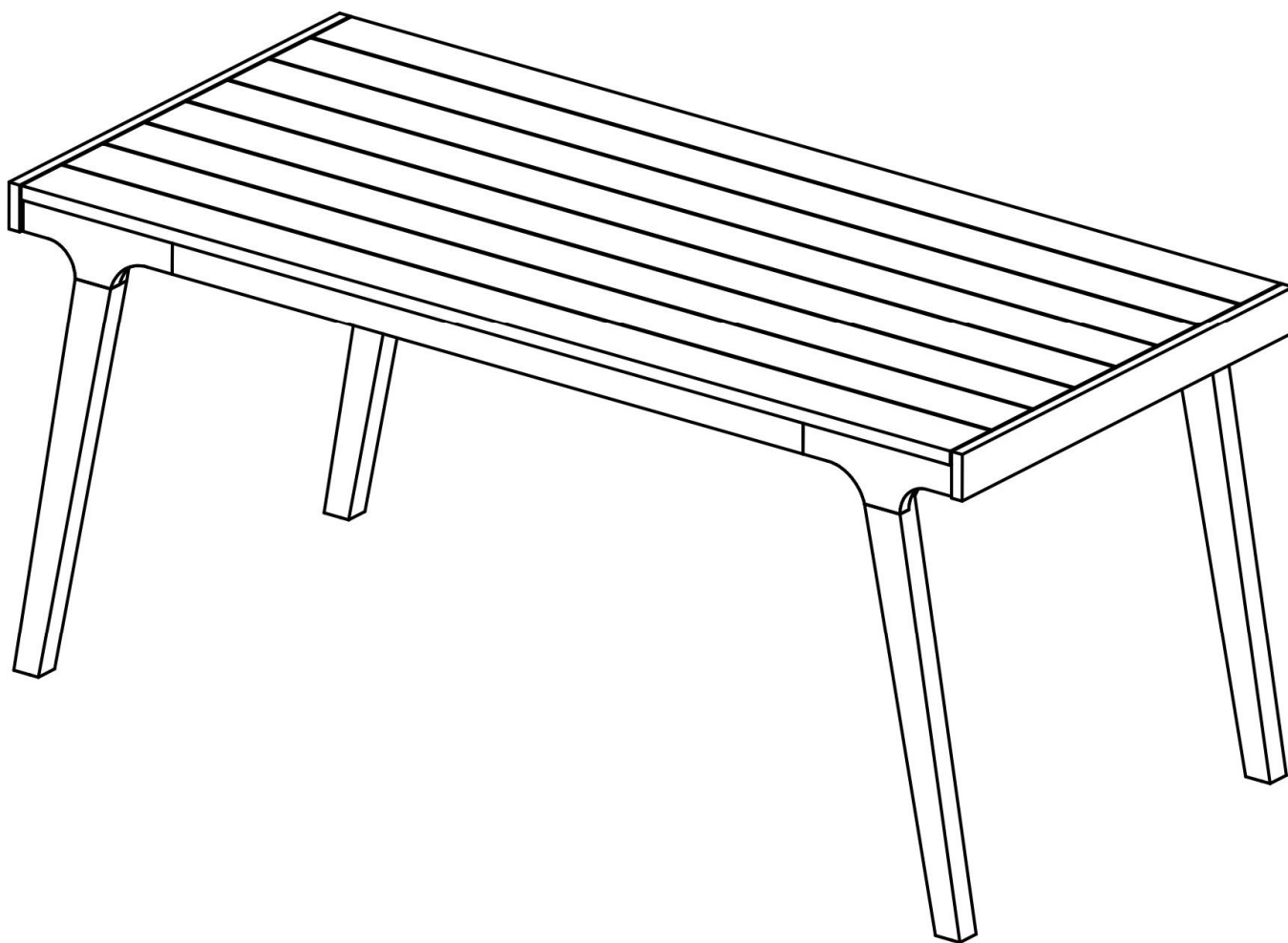


Assembly Instructions

Caution : You must read this before you proceed .

Please look in the Leg for hardware packs.

TABLE

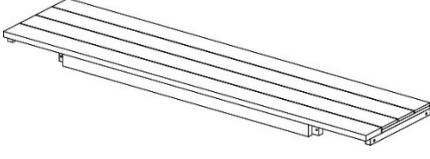
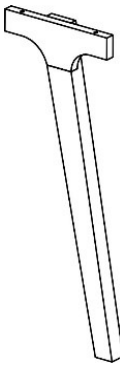
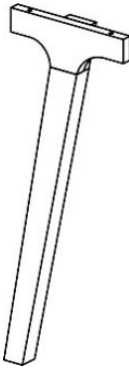
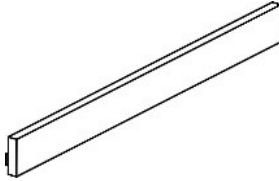
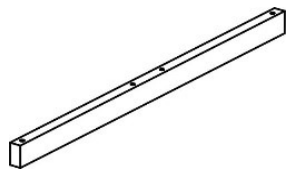
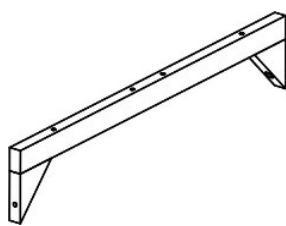


CAUTION : This Table is NOT a TOY.

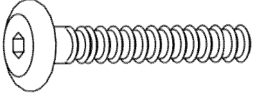
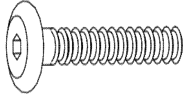
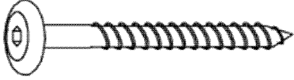
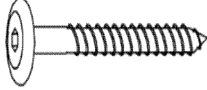

Keep your child / children at bay in the process of assembly.

For turning the Table and to prevent damage to the Table, 02 persons may be needed to execute this action.

Parts List

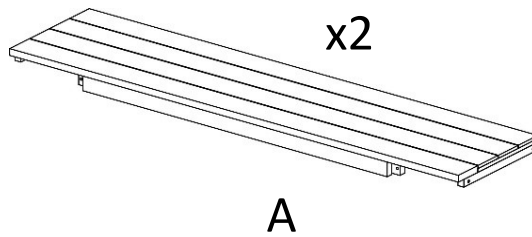
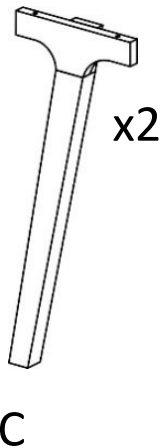
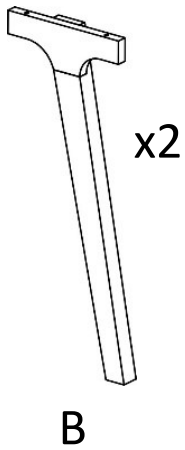
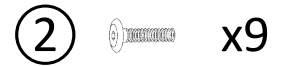
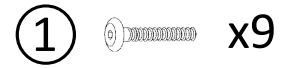
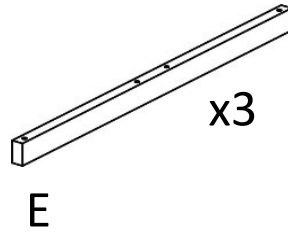
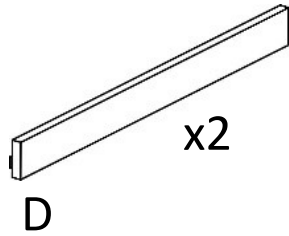
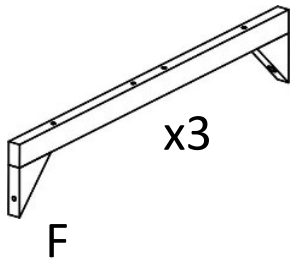
Label	Picture	Description	QTY
A	 A perspective drawing of a rectangular table top made of three parallel wooden planks joined together.	Table Top	2
B	 A perspective drawing of a table leg with a wide, flat top flange and a tapered shaft.	First Leg	2
C	 A perspective drawing of a table leg with a wide, flat top flange and a tapered shaft, similar to the first leg but with a different profile.	Second Leg	2
D	 A perspective drawing of a long, thin rectangular support bar with a small notch at one end.	First Support Bar	2
E	 A perspective drawing of a long, thin rectangular support bar with two small notches along its length.	Second Support Bar	3
F	 A perspective drawing of a long, thin rectangular support bar with a small notch at one end and a small protrusion at the other.	Third Support Bar	2

Hardware

Label	Picture	Description	QTY
①		Bolt (M6x60mm)	9
②		Bolt (M6x35mm)	9
③		Screw (M6x55mm)	21
④		Screw (M6x40mm)	17
⑤		Allen Wrench	2

Assembly Preparation

Before Beginning Assembly:



- Read instructions, cover to cover-



- Have 2 adults on hand for assembly-



- Do not assemble on flooring or carpet-



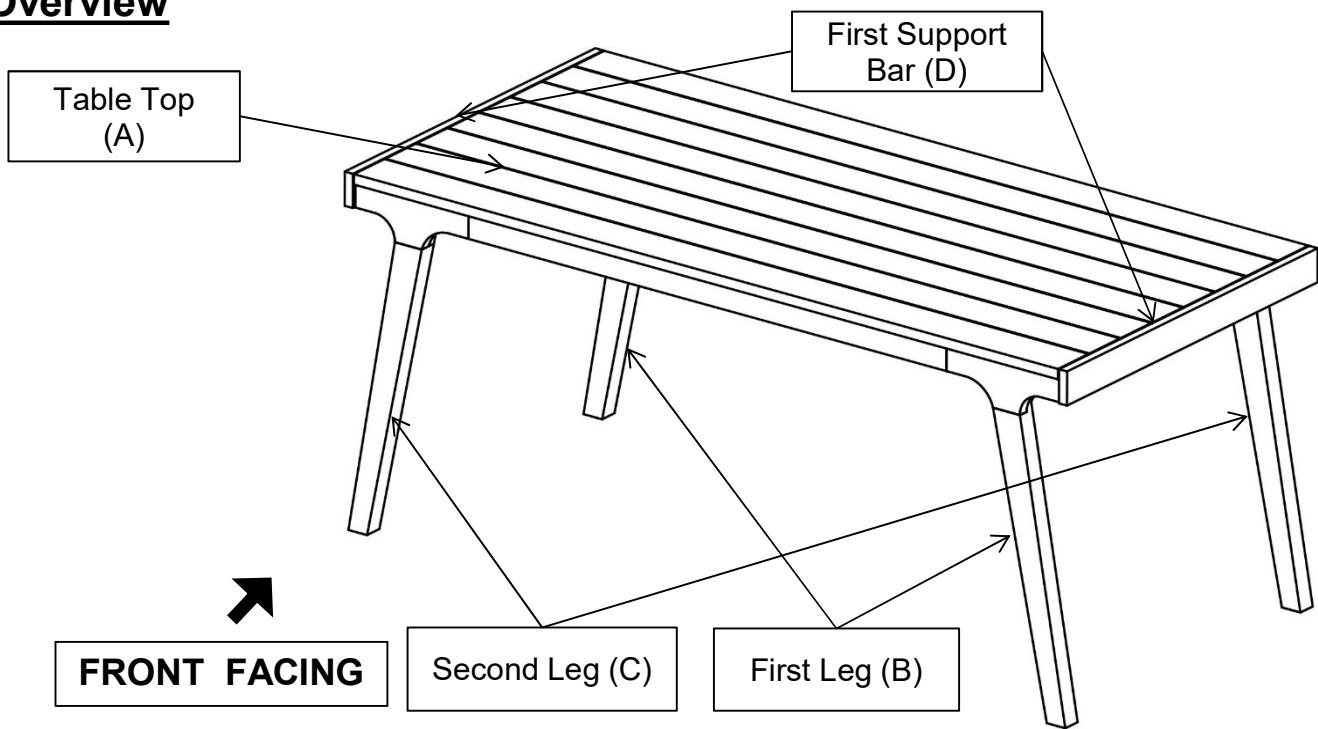
- Assemble on a clean non-marring surface (packing foam)-



- Save all packaging until finished-

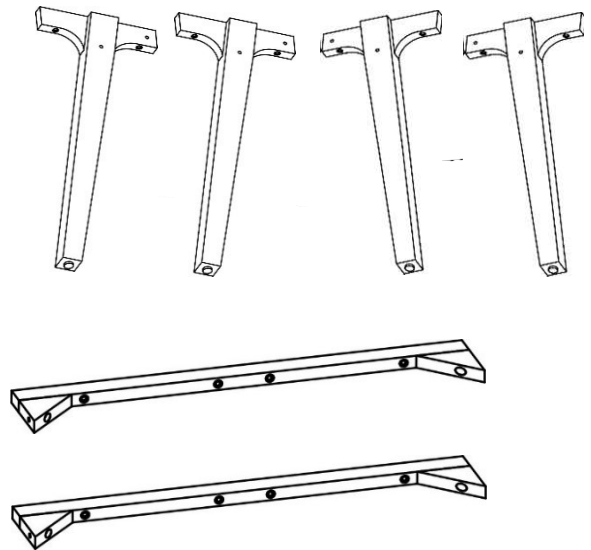
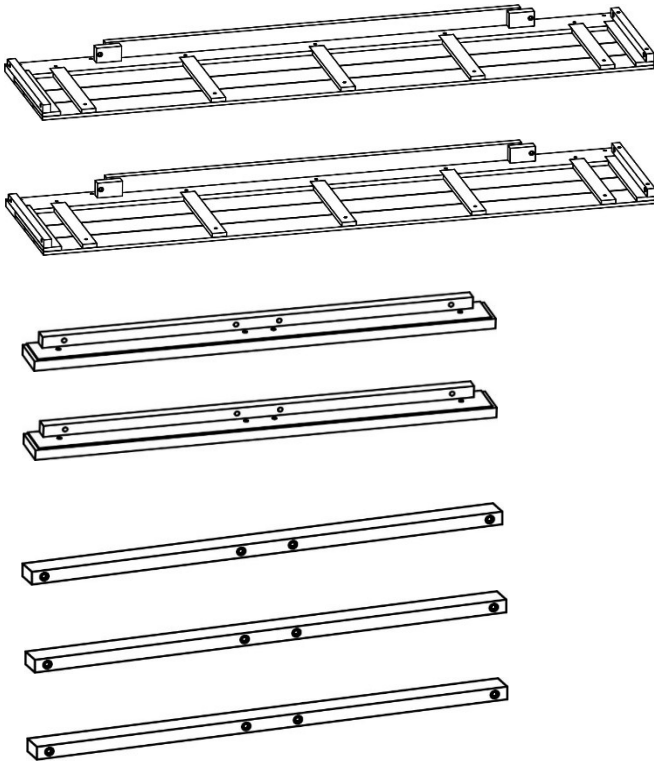
Assembly Steps

Overview



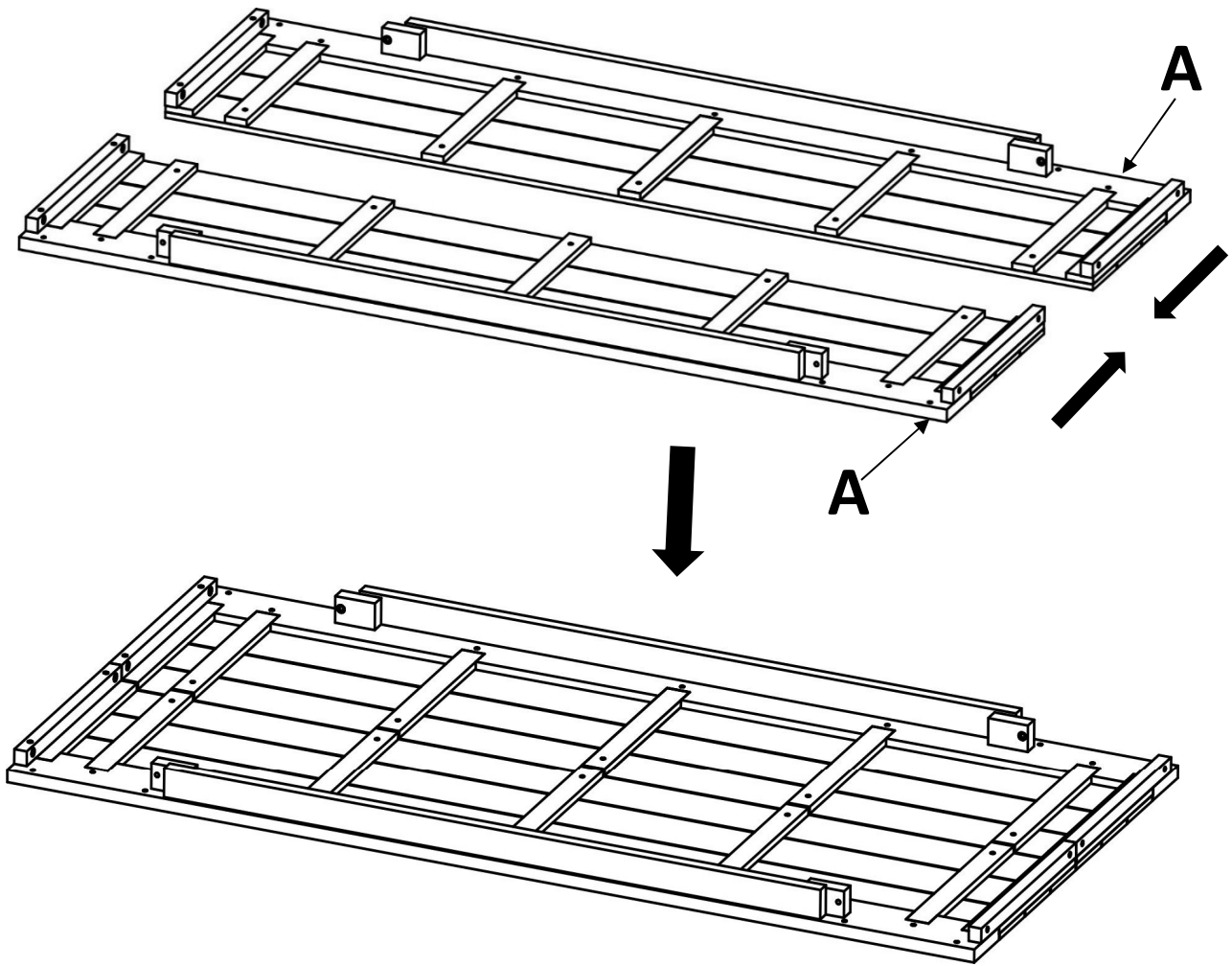
This Table has multiple parts and may require up to 30 minutes to assemble. To give you an overview of the Table parts, the above picture is to help you put the various parts into perspective. Please read through the instructions below to familiarise yourself with the parts and steps before assembly.

Step 1:



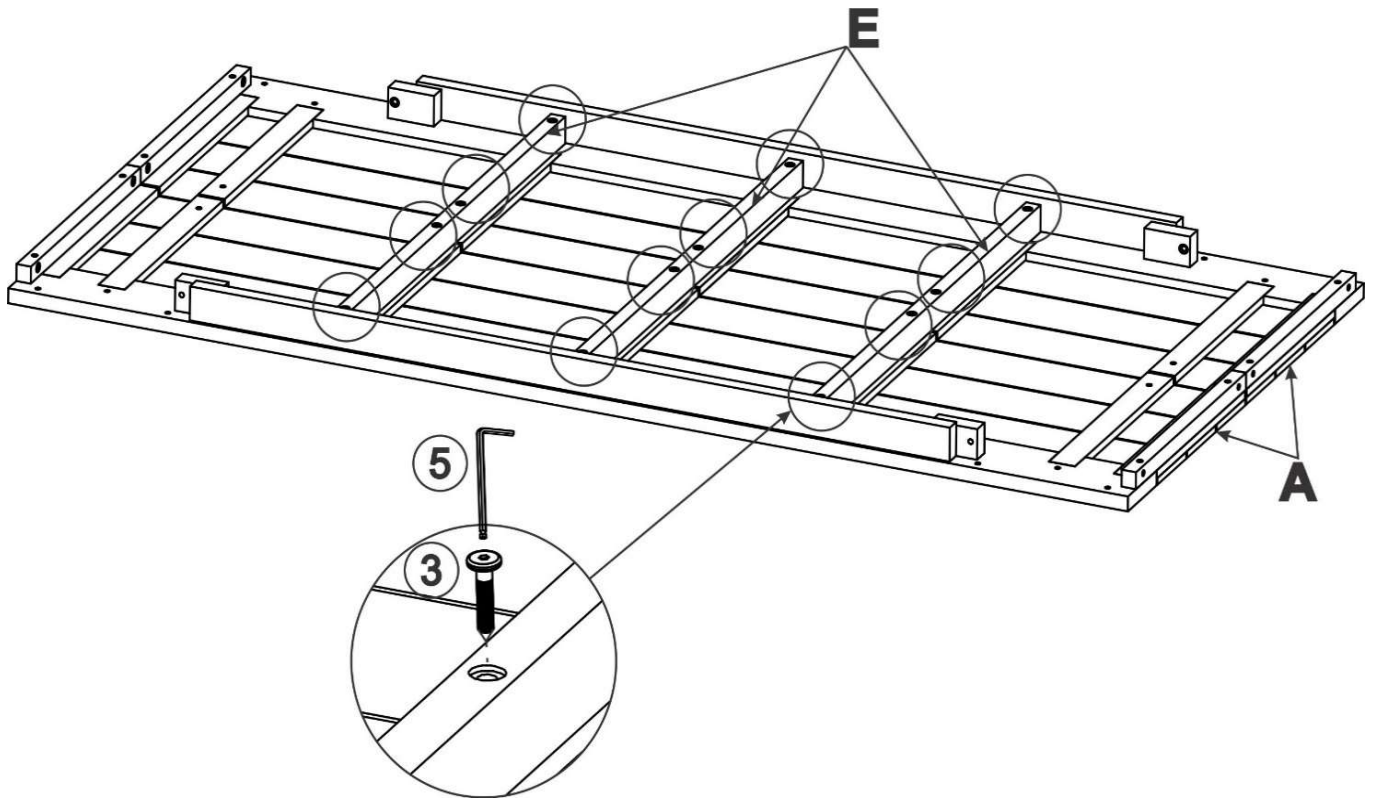
Unpack and place all parts on a clean, non-marring surface.

Step 2:



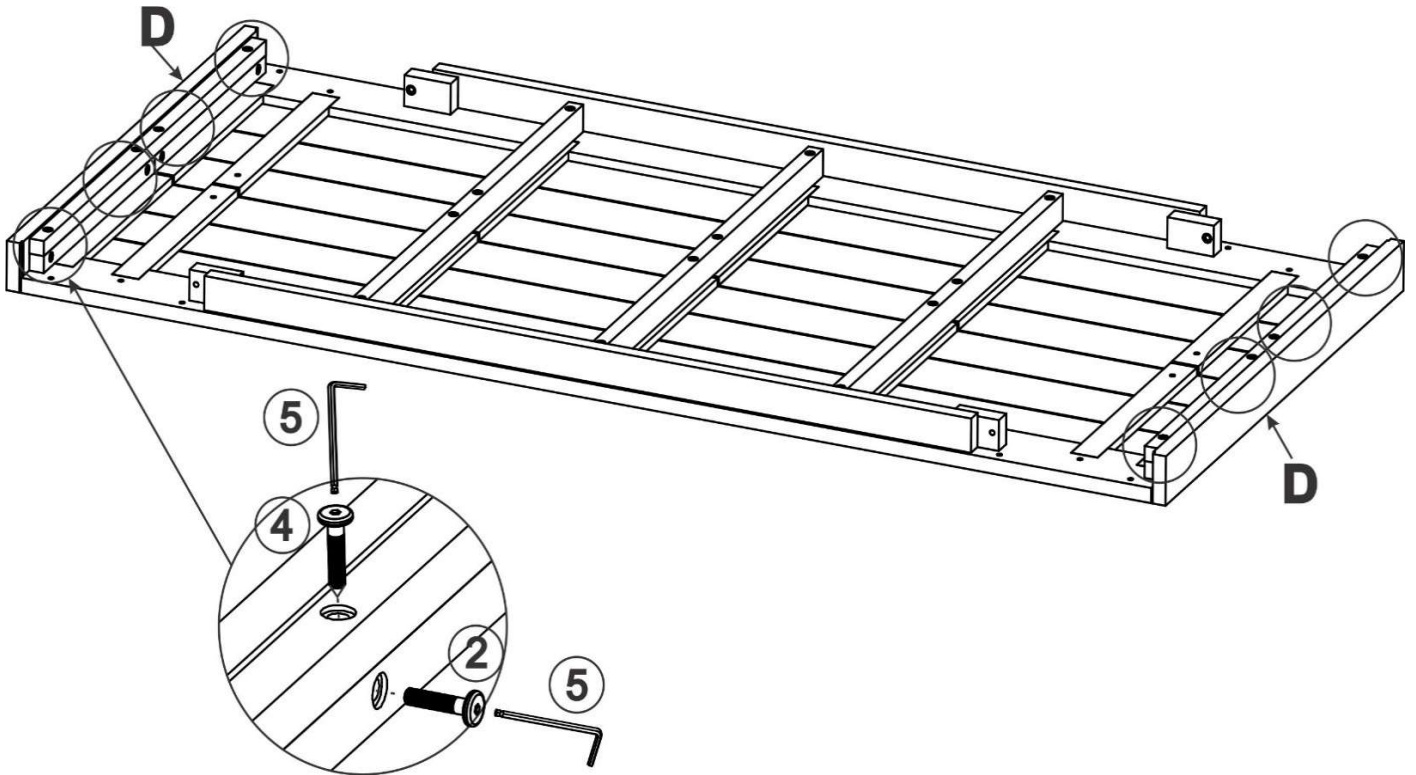
Place the two Table tops (A) side by side and close together as shown in the picture above.

Step 3:



Align the Second Support Bar (E) to the housings on the Table Top (A) and secure using Screws (③) and the Allen Wrench (⑤). Repeat the same process with the remaining Second Support Bars (E). **Only loosely tighten the screws at this time.**

Step 4:

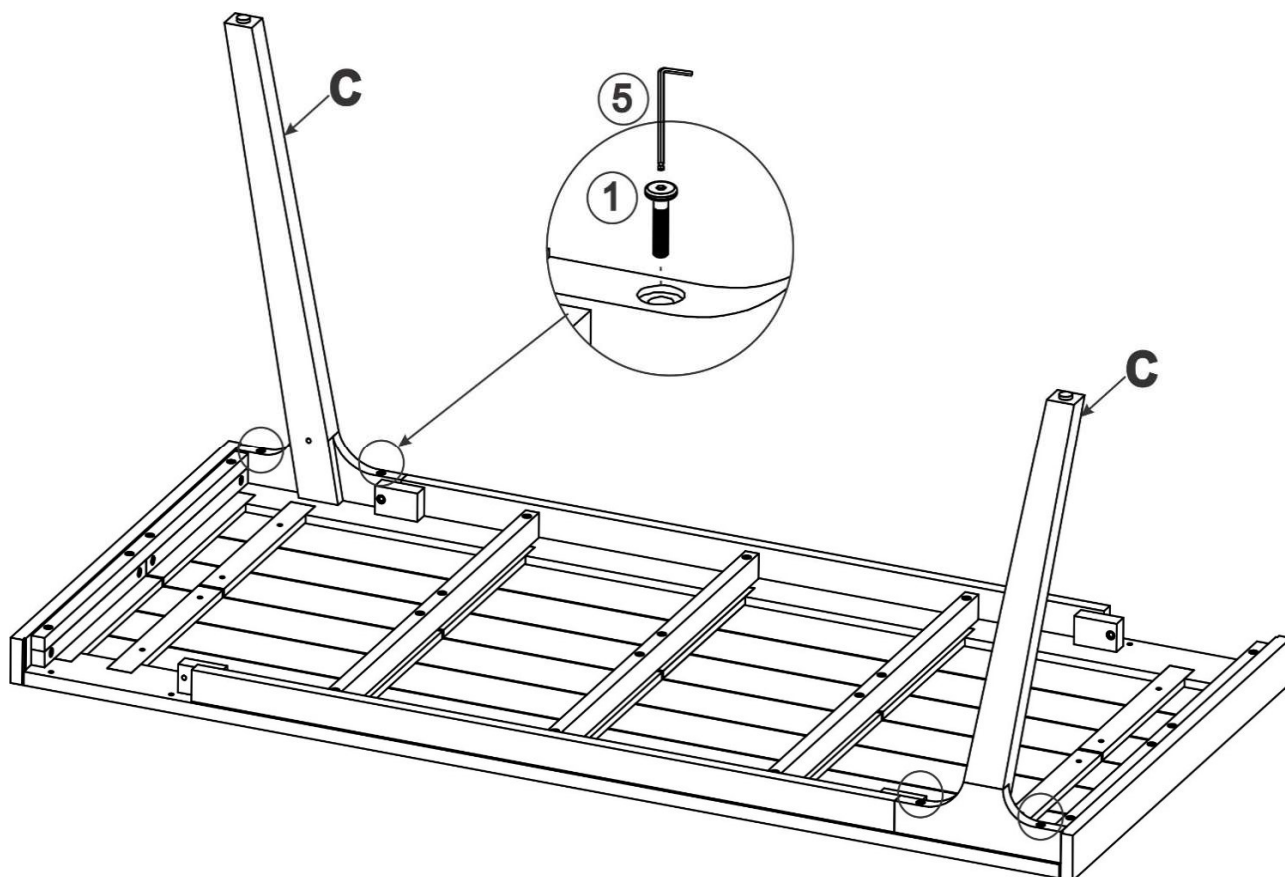


Align the First Support Bar (D) to the housings on the Table Top (A) and secure using Bolts (2) horizontally, Screws (4) vertically and the Allen Wrench (5).

Repeat the same process with the remaining First Support Bar (D).

Only loosely tighten the screws and bolts at this time.

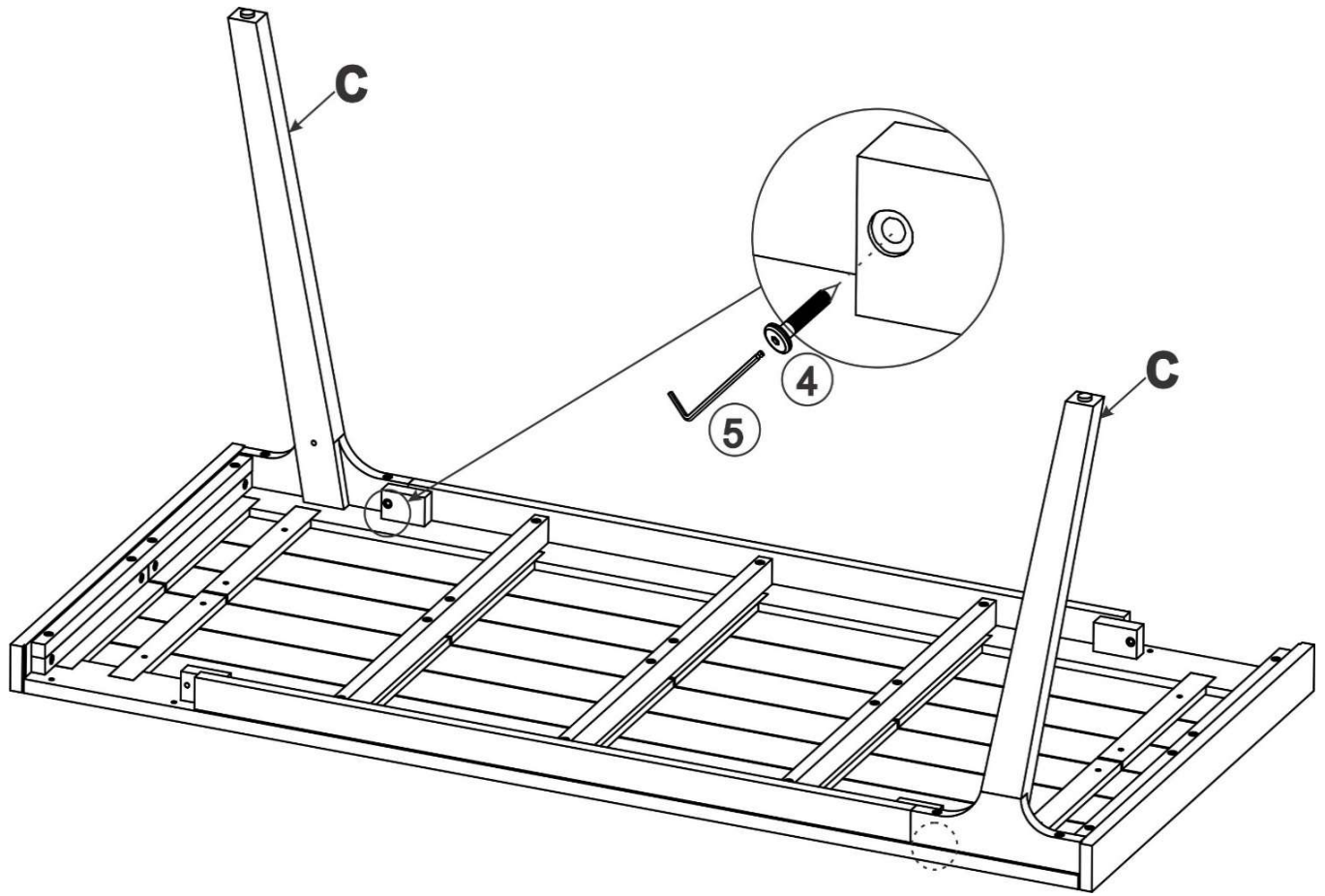
Step 5.1:



Affix the Second Leg (C) to the Table Top (A) using Bolts (①) and the Allen Wrench (⑤).

Only loosely tighten the bolts at this time.

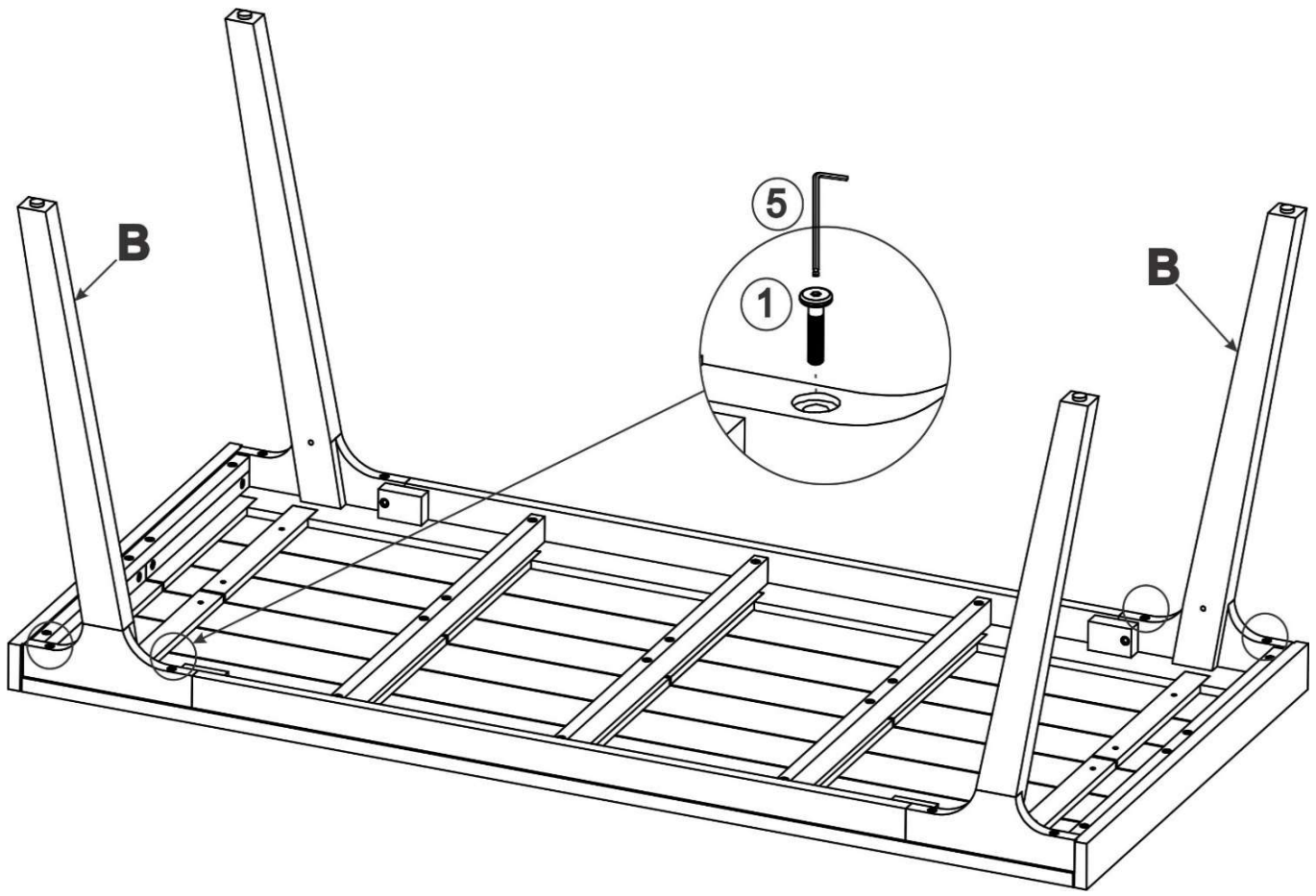
Step 5.2:



Then insert a Screw (④) using the Allen Wrench (⑤) as shown in picture above.

Only loosely tighten the screws at this time.

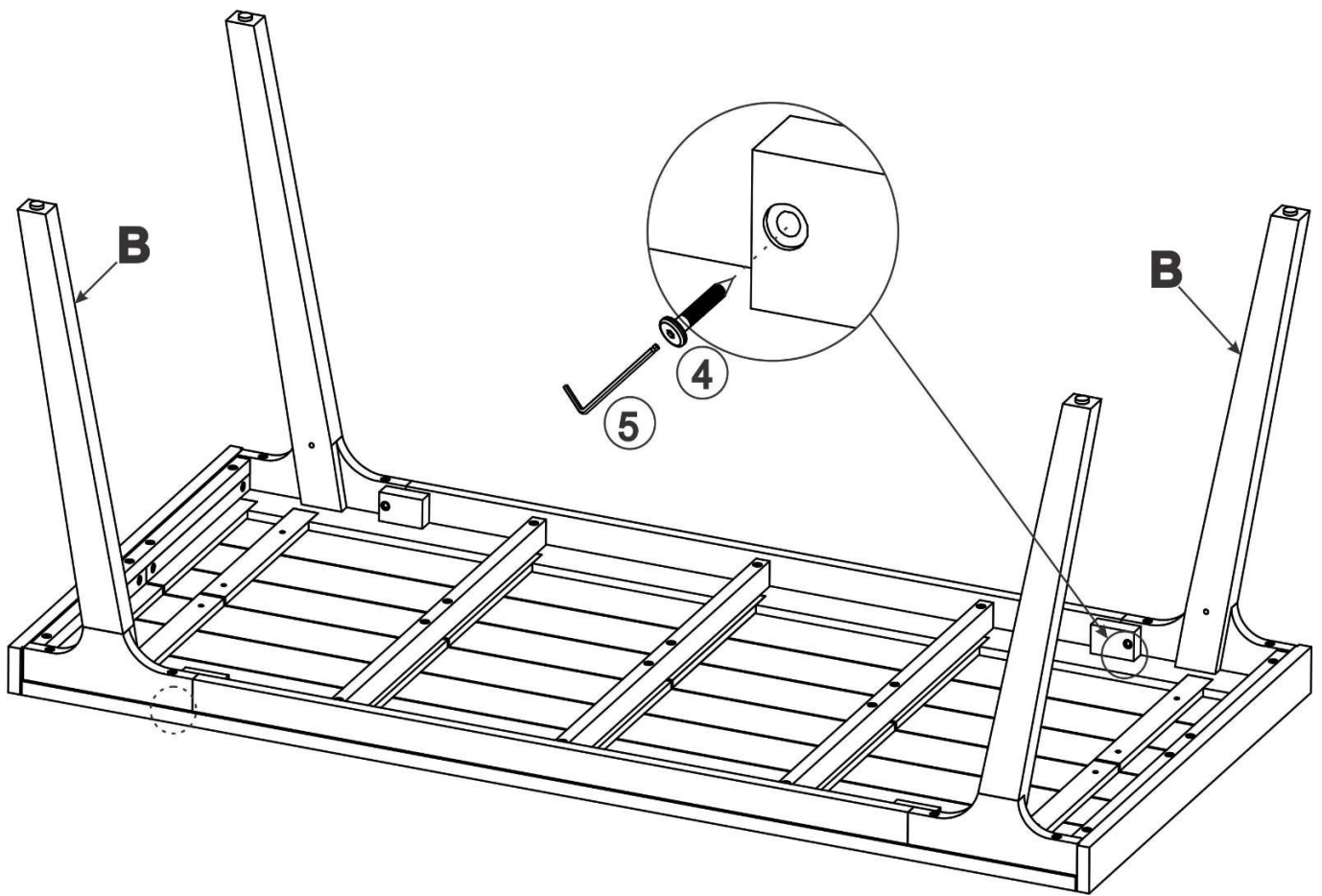
Step 6.1:



Affix the Second Leg (C) to the Table Top (A) using Bolts (①) and the Allen Wrench (⑤).

Only loosely tighten the bolts at this time.

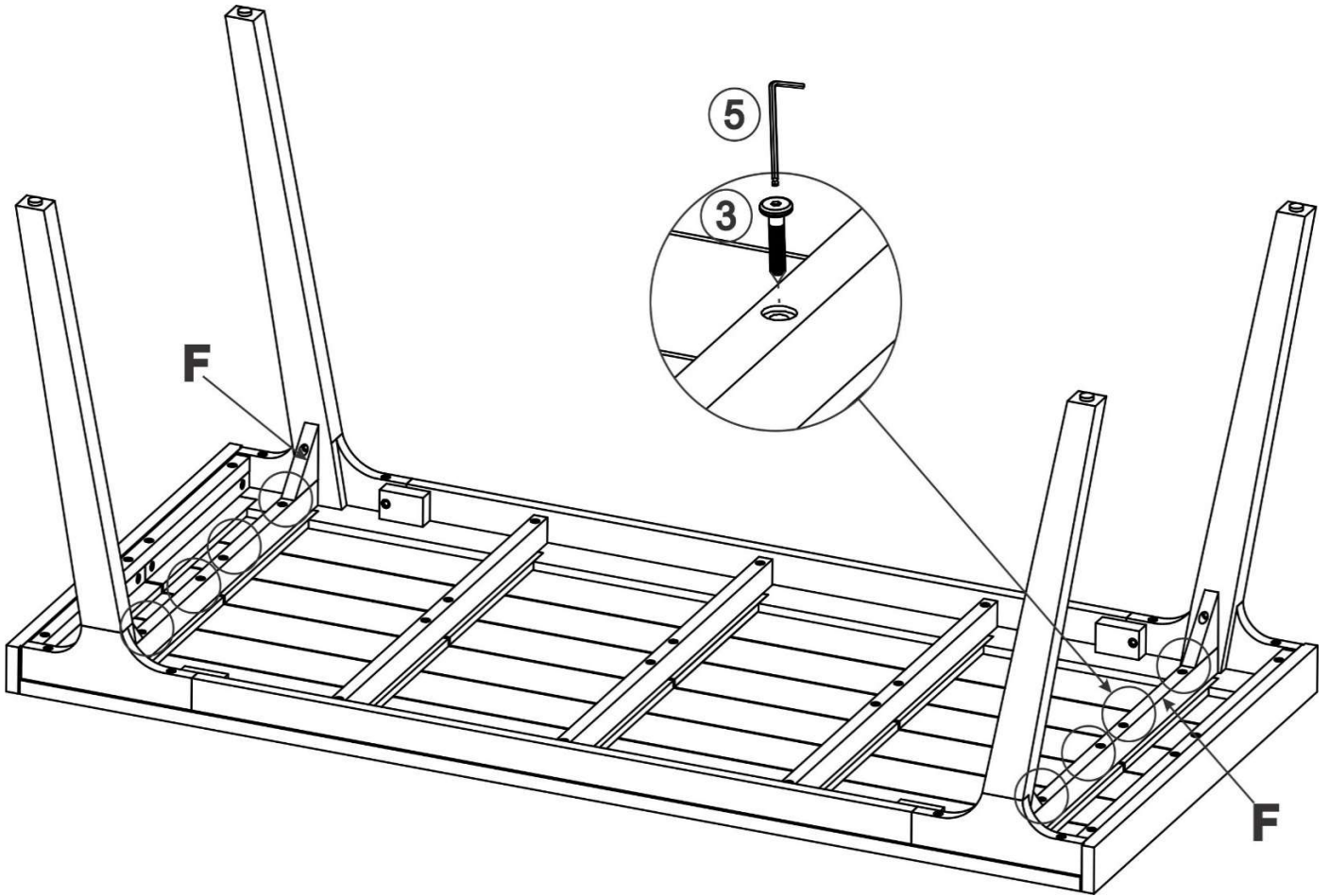
Step 6.2:



Then insert a Screw (④) using the Allen Wrench (⑤) as shown in picture above.

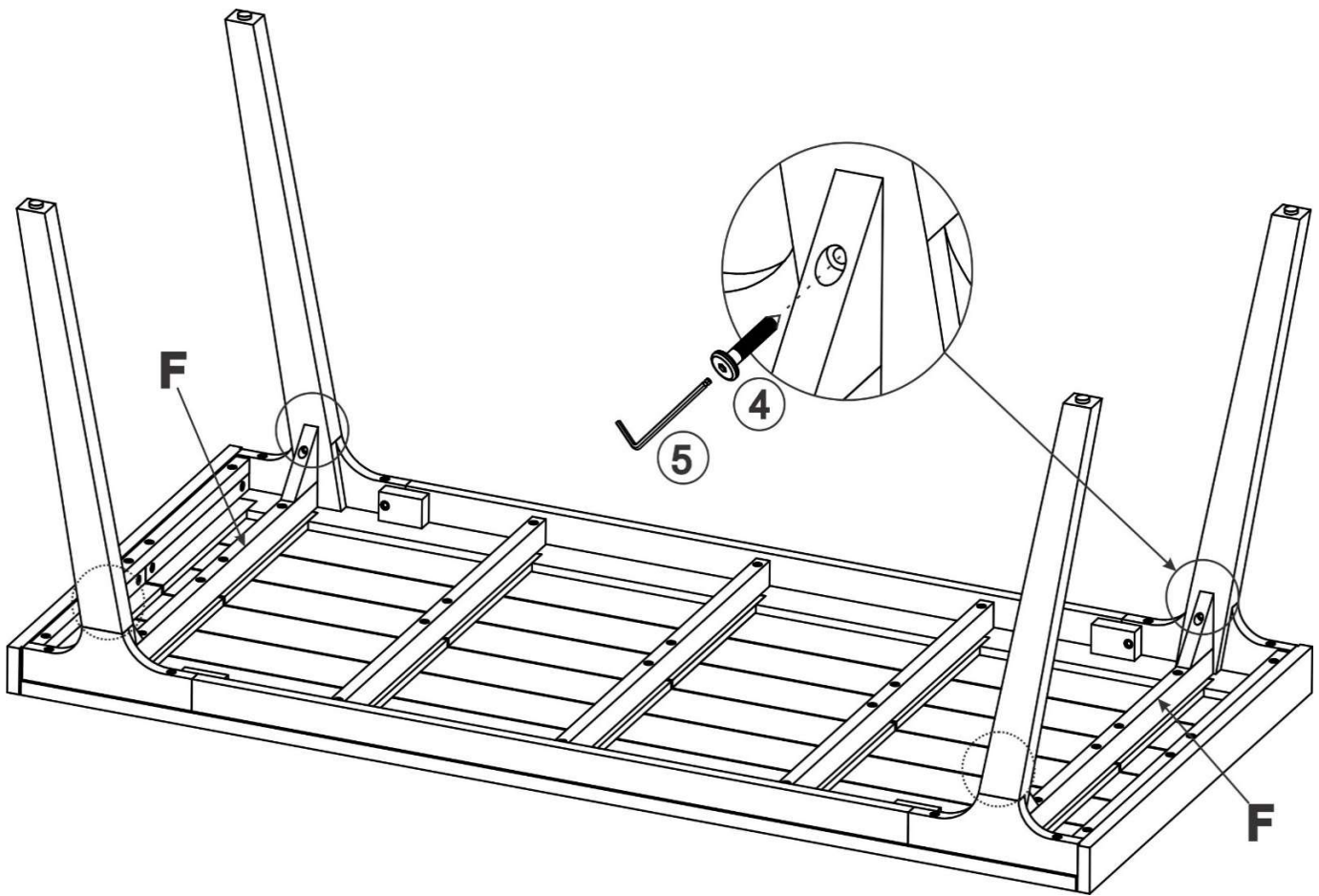
Only loosely tighten the screws at this time.

Step 7.1:



Affix the Third Support Bar (F) to the Table Top (A) using Screws (③) and the Allen Wrench (⑤) as shown in picture above.
Only loosely tighten the screws at this time.

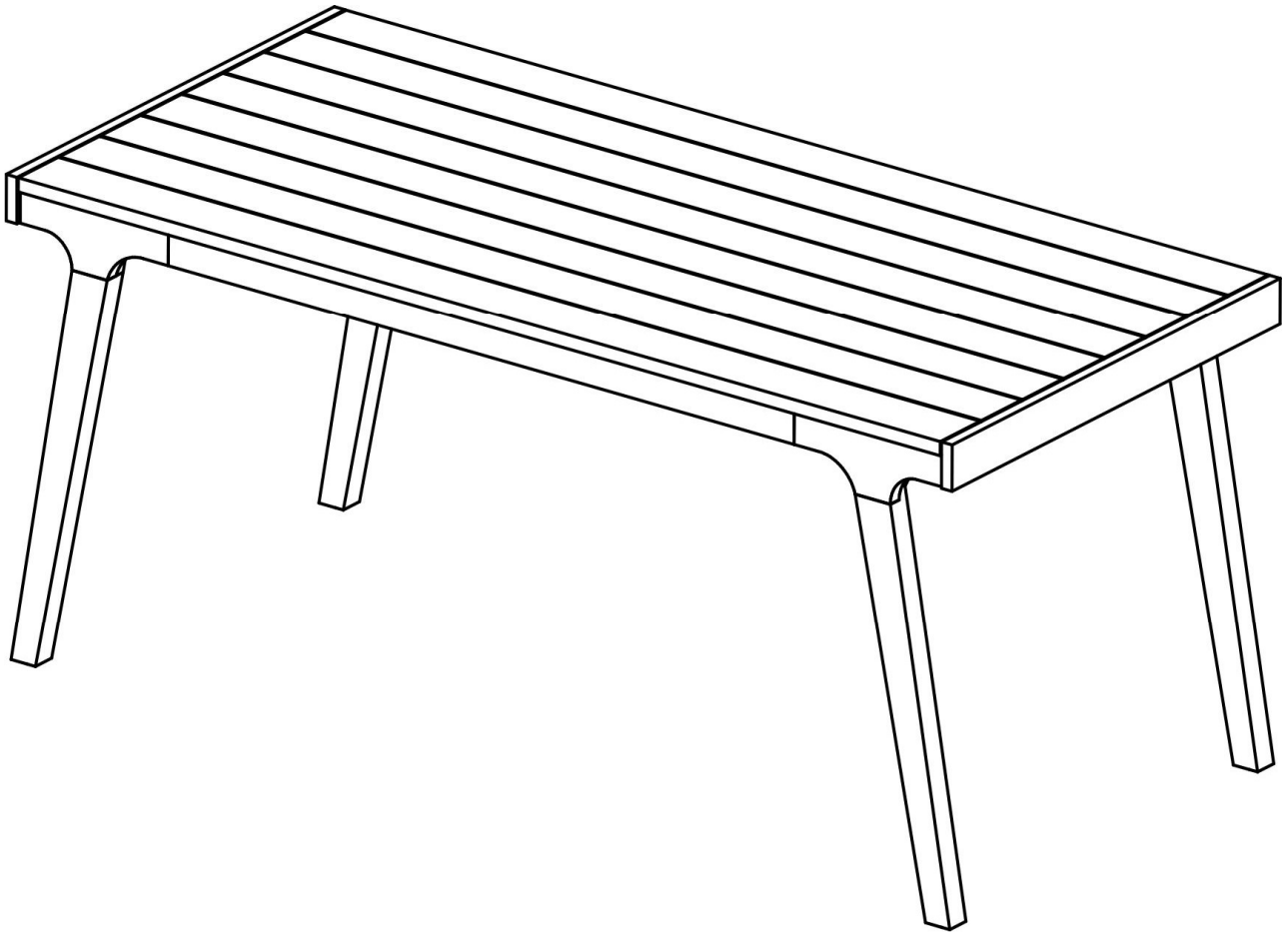
Step 7.2:



Then insert a Screw (④) using the Allen Wrench (⑤) as shown in picture above.

Only loosely tighten the screws at this time.

Step 8:



With assistance from your adult partners, turn the Table back to normal position on a flat ground.

EXERT pressure, floorwards, onto the Table.

This pressure will help the Legs and Table Top reach alignment at all joints. Check for wobbles on a LEVEL surface. If the table does not wobble, then proceed to tighten all the bolts and screws.

When tightening these screws and Bolts, tighten sequentially.

DO NOT tighten any screw or bolt fully and then move towards the next one. This would cause the frame to warp.

If there are any wobbles after tightening, loosen the screws and bolts and execute this same process.

Inspect the Table and make sure all parts are adequately connected.

Your Table is ready for use.

This Table can only be used on a flat, level surface.

Care & Maintenance:



- Do not put hot items directly on furniture surface.



- Do not clean furniture with harsh cleansers or polish.



- To obtain the longest lifespan of your outdoor products, minimizing exposure to direct sunlight is recommended.



- Children should not climb or jump on the furniture.



- Do not write on furniture without a padded barrier to protect the surface.



- To obtain the longest lifespan of your outdoor products, avoid extended and lengthy exposure to rain, snow, and direct sunshine. Whenever possible cover the product and /or place under patio or awnings.



- Not for commercial use. For residential use only.



- Stains may be removed with mild soap solution and damp cloth.



- Dust and pick-up spills using a clean, non-colored, lint-free cloth.