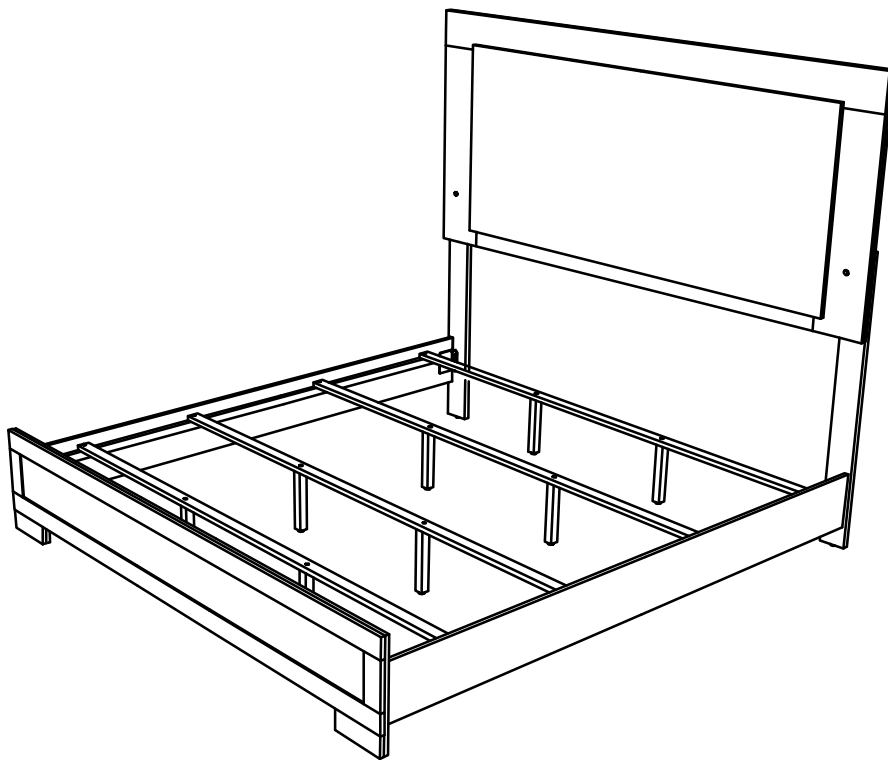


ASSEMBLY INSTRUCTIONS
COASTER FINE FURNITURE



Fine Furniture for every stage of life

215651KE(B1&B2)
Eastern King Bed

ITEM: 215651KE(B1&B2)



ASSEMBLY INSTRUCTIONS

ASSEMBLY TIPS:

1. Remove hardware from box and sort by size.
2. Please check to see that all hardware and parts are present prior to start of assembly.
3. Please follow attached instructions in the same sequence as numbered to assure fast & easy assembly.



WARNING!

1. Don't attempt to repair or modify parts that are broken or defective. Please contact the store immediately.
2. This product is for home use only and not intended for commercial establishments.

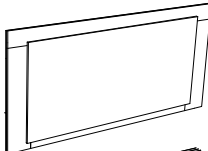
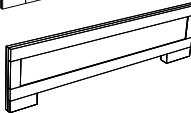

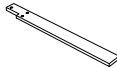

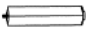
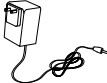


ASSEMBLY TIME


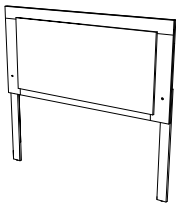
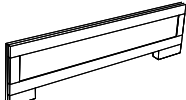
20 MINUTES

PARTS IDENTIFICATION

B1 (BOX 1)

A	HEADBOARD PANEL		1PC
B	FOOTBOARD		1PC
C	LEFT HEADBOARD LEG		1PC
D	RIGHT HEADBOARD LEG		1PC
E	BED SLAT		4PCS
F	BED SLAT SUPPORT WITH LEVELER		8PCS
G	ADAPTER		1PC

B2 (BOX 2)

H	BED RAIL		2PCS
HB	215651KE(B1) FROM BOX 1 HEADBOARD COMPLETE		1PC
B	215651KE(B1) FROM BOX 1 FOOTBOARD		1PC

ITEM:215651KE(B1&B2)



ASSEMBLY INSTRUCTIONS

ASSEMBLY TIPS:

1. Remove hardware from box and sort by size.
2. Please check to see that all hardware and parts are present prior to start of assembly.
3. Please follow attached instructions in the same sequence as numbered to assure fast & easy assembly.

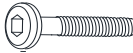







WARNING!

1. Don't attempt to repair or modify parts that are broken or defective. Please contact the store immediately.
2. This product is for home use only and not intended for commercial establishments.

HARDWARE IDENTIFICATION

Z-B1(BOX 1) - HARDWARE PACK IS LOCATED IN 215651KE(B1)

1	BOLT (M6 x 30mm - BLK)		6PCS
2	LOCK WASHER (1/4" - BLK)		6PCS
3	FLAT WASHER (1/4" x 13mm - BLK)		6PCS
4	SMALL ALLEN WRENCH (M4 x 65mm - BLK)		1PC
5	BIG ALLEN WRENCH (M5 x 65mm - BLK)		1PC
6	FLAT HEAD SCREW (M4 x 32mm - RBW)		8PCS

NOTE:

Phillips head screw driver is required in the assembly process; however, manufacturer does not provide this item.

ITEM: 215651KE(B1&B2)

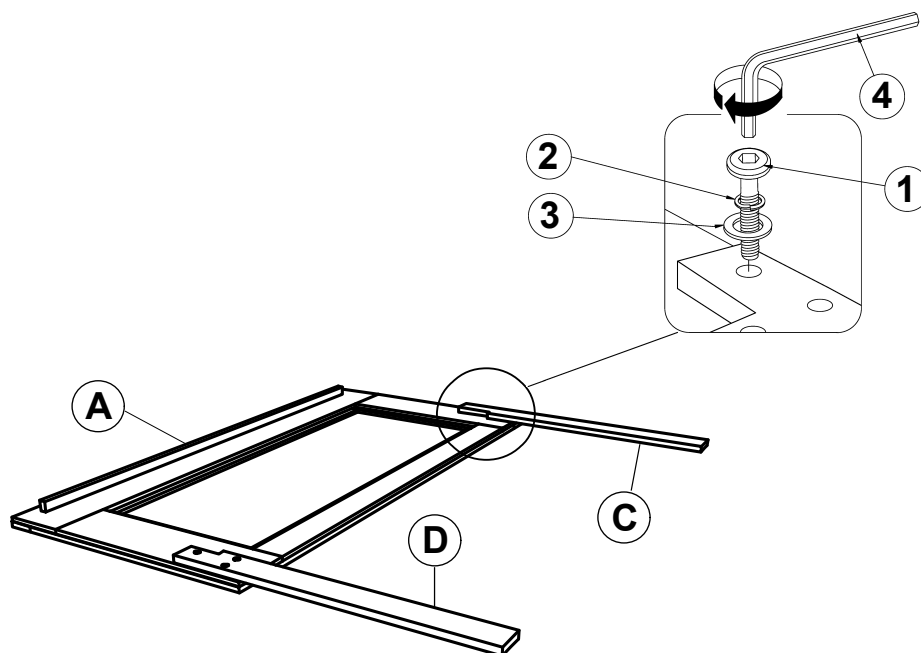


ASSEMBLY INSTRUCTIONS

STEP 1

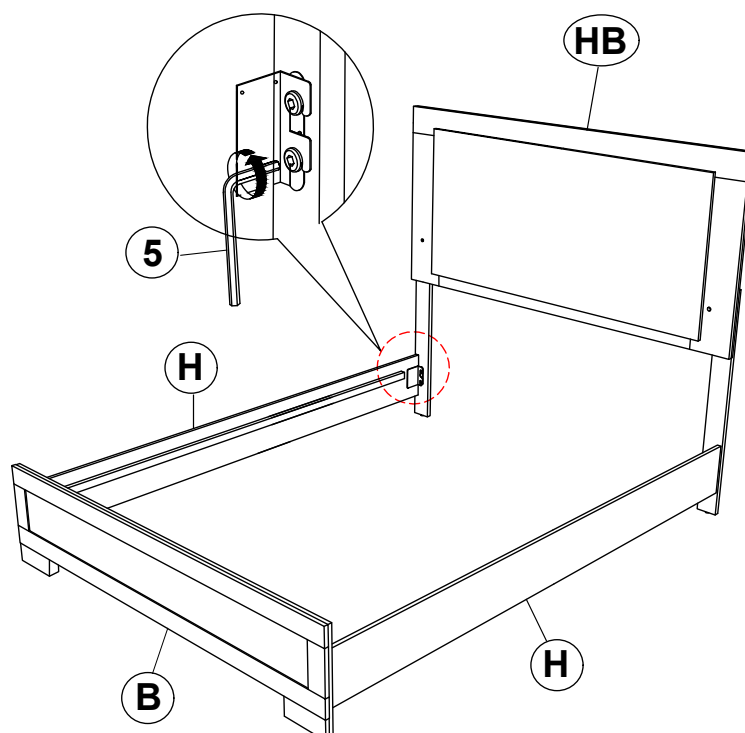
Note : Please put item on soft surface.

Please take note of the marking sticker (L&R) on the leg.



****BACK VIEW****

STEP 2

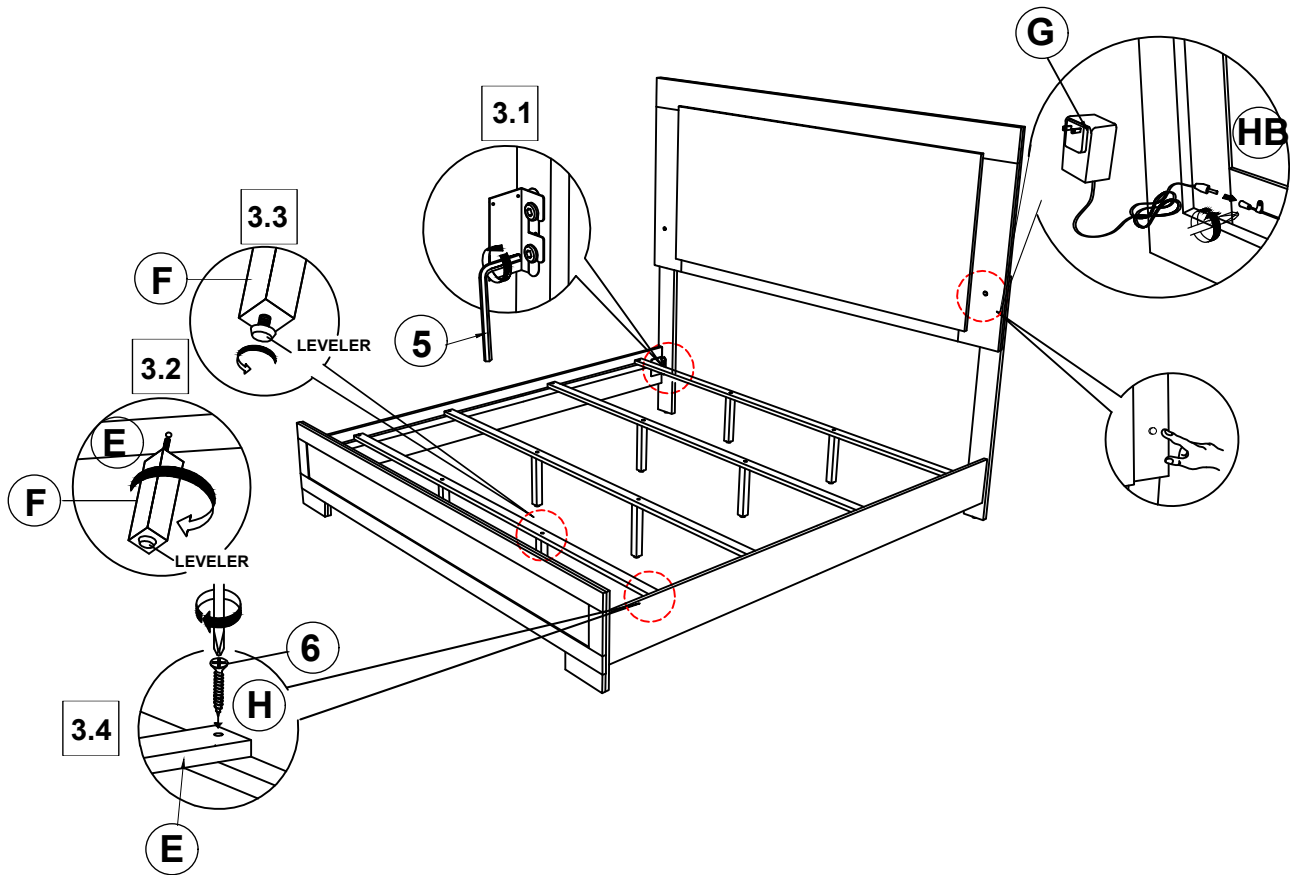


ITEM: **215651KE(B1&B2)**

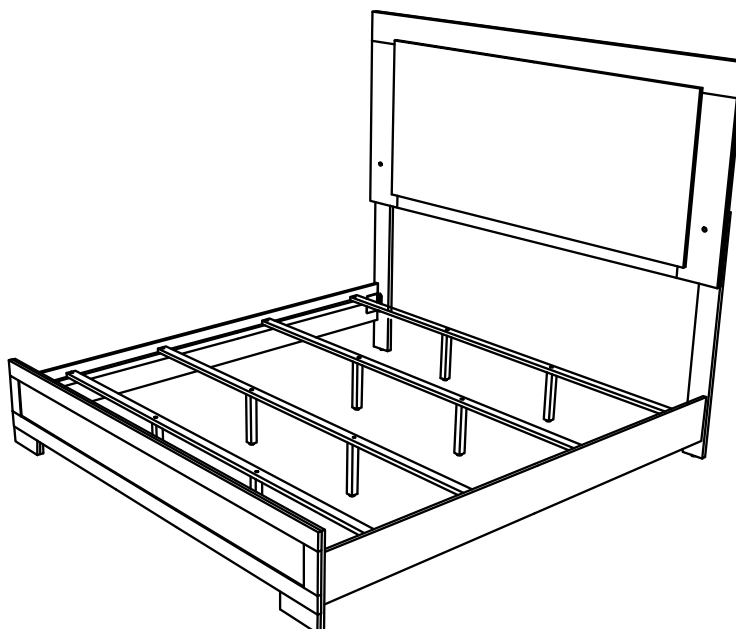


ASSEMBLY INSTRUCTIONS

STEP 3



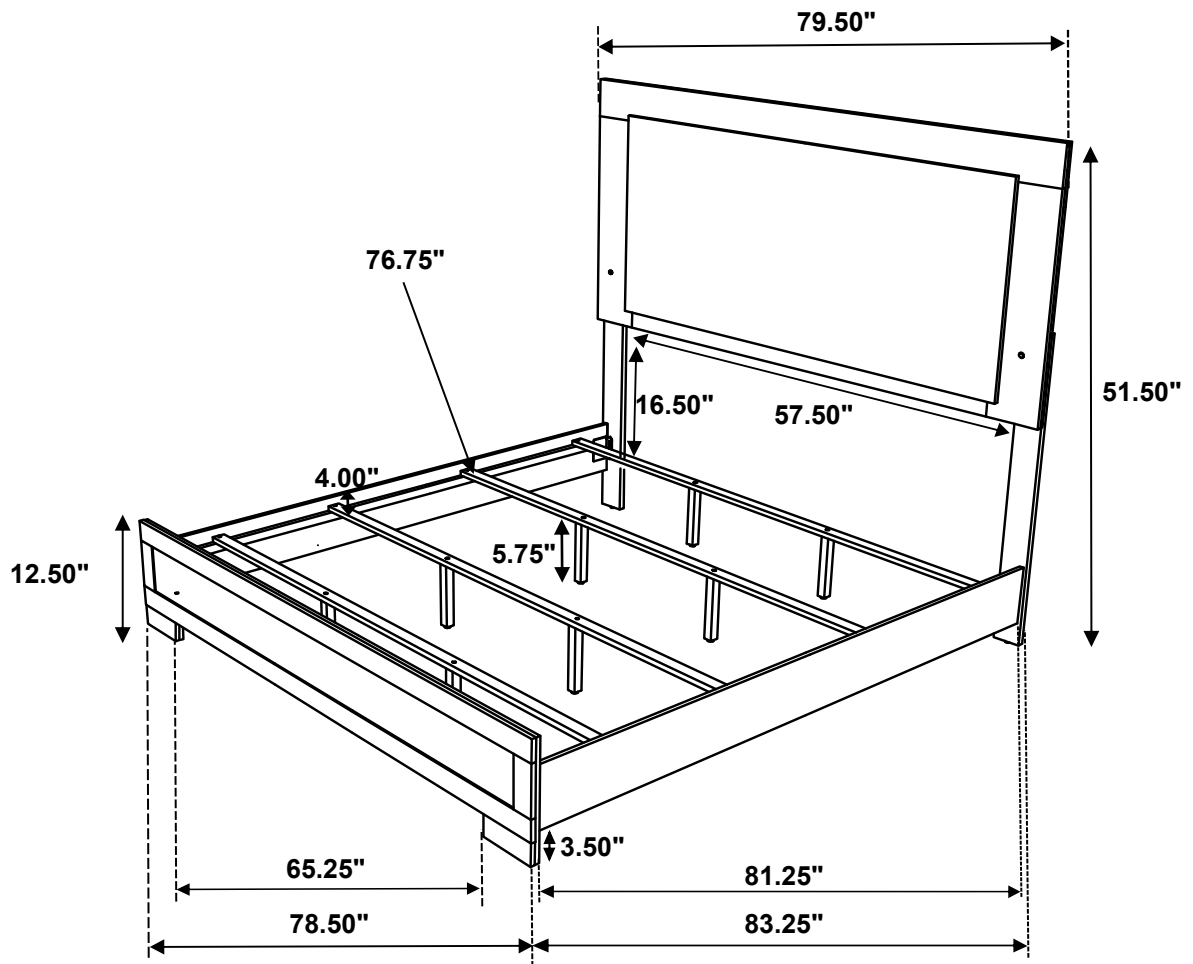
STEP 4 **COMPLETE**



ITEM: 215651KE(B1&B2)



Inner Size : 76.75"W x 81.25"D



Note : Dimension tolerance $\pm 5\%$

ASSEMBLY INSTRUCTIONS
COASTER FINE FURNITURE



Fine Furniture for every stage of life

215652
Nightstand

ITEM: **215652**



ASSEMBLY INSTRUCTIONS

ASSEMBLY TIPS:

1. Remove hardware from box and sort by size.
2. Please check to see that all hardware and parts are present prior to start of assembly.
3. Please follow attached instructions in the same sequence as numbered to assure fast & easy assembly.



WARNING!

1. Don't attempt to repair or modify parts that are broken or defective. Please contact the store immediately.
2. This product is for home use only and not intended for commercial establishments.

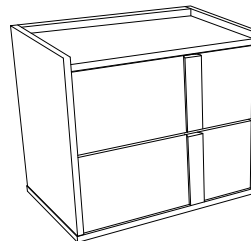


ASSEMBLY TIME

5 MINUTES

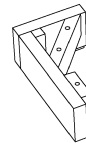
PARTS IDENTIFICATION

A NIGHTSTAND



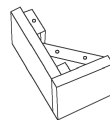
1PC

B LEG WITH LABEL B



2PCS

C LEG WITH LABEL C



2PCS

HARDWARE IDENTIFICATION

1

FLAT HEAD SCREW
(M4 x 28mm - RBW)



12PCS

NOTE:

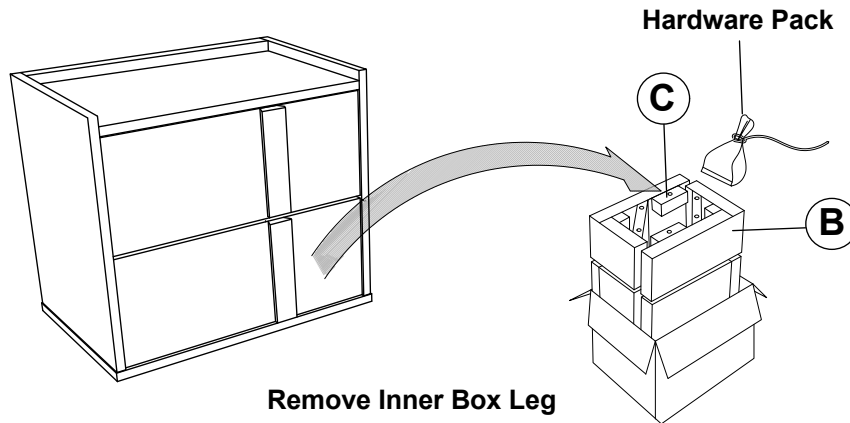
Phillips head screw driver is required in the assembly process; however, manufacturer does not provide this item.

ITEM: **215652**

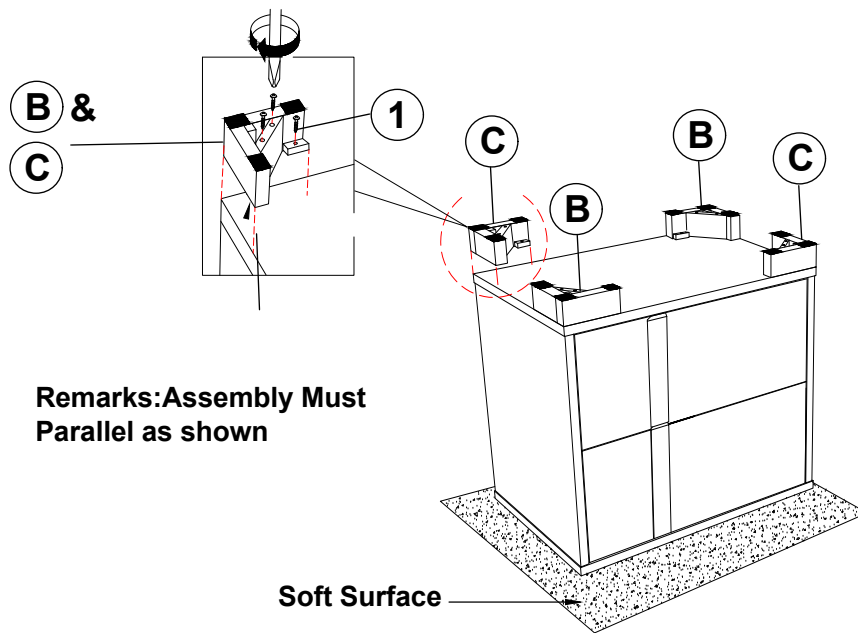


ASSEMBLY INSTRUCTIONS

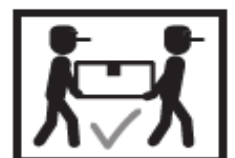
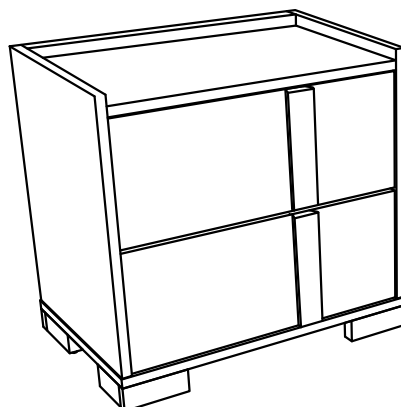
STEP 1



STEP 2



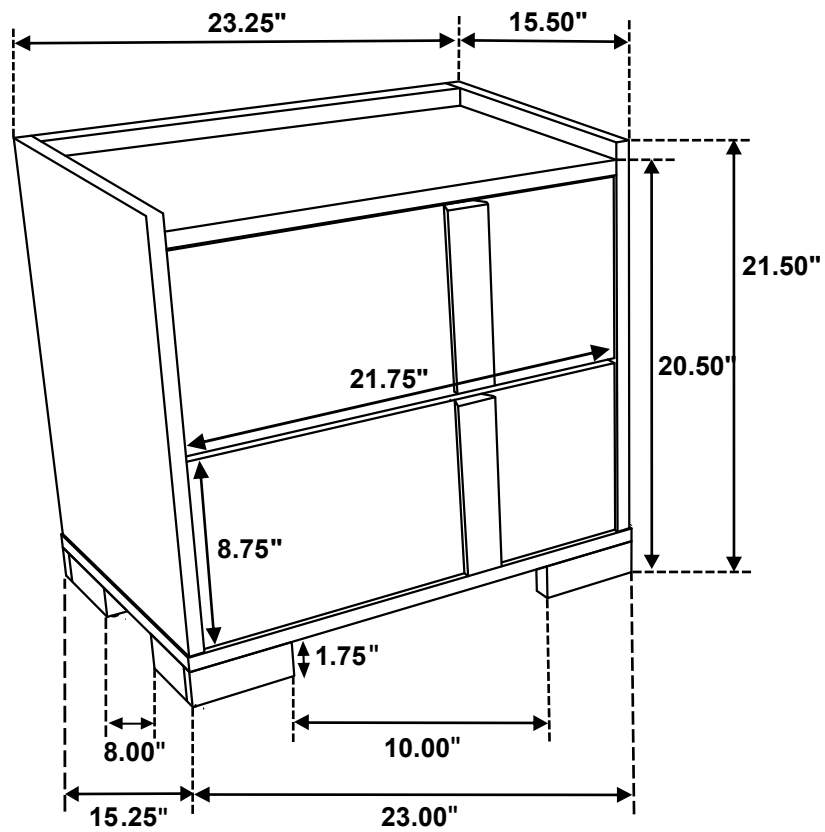
STEP 3
COMPLETE



ITEM: **215652**



Inner Size of Drawer : 20.25"W x 11.25"D x 4.00"H x 0.25"T



Note : Dimension tolerance $\pm 5\%$

ASSEMBLY INSTRUCTIONS
COASTER FINE FURNITURE



Fine Furniture for every stage of life

215653
Dresser

ITEM: **215653**



ASSEMBLY INSTRUCTIONS

ASSEMBLY TIPS:

1. Remove hardware from box and sort by size.
2. Please check to see that all hardware and parts are present prior to start of assembly.
3. Please follow attached instructions in the same sequence as numbered to assure fast & easy assembly.



WARNING!

1. Don't attempt to repair or modify parts that are broken or defective. Please contact the store immediately.
2. This product is for home use only and not intended for commercial establishments.

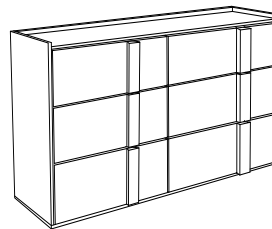


ASSEMBLY TIME

5 MINUTES

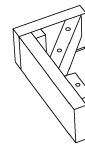
PARTS IDENTIFICATION

A NIGHTSTAND



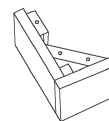
1PC

B LEG WITH LABEL B



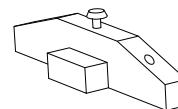
2PCS

C LEG WITH LABEL C



2PCS

D CENTER SUPPORT LEG WITH LAVELLER



1PC

HARDWARE IDENTIFICATION

1 FLAT HEAD SCREW
(M4 x 28mm - RBW)



16PCS

2 WOOD DOWEL
(M6 x 30mm)



2PCS

NOTE:

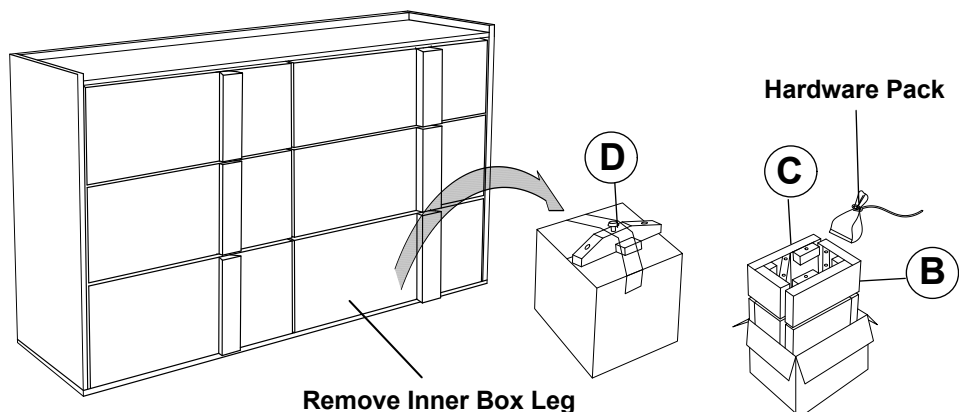
Phillips head screw driver is required in the assembly process; however, manufacturer does not provide this item.

ITEM: **215653**

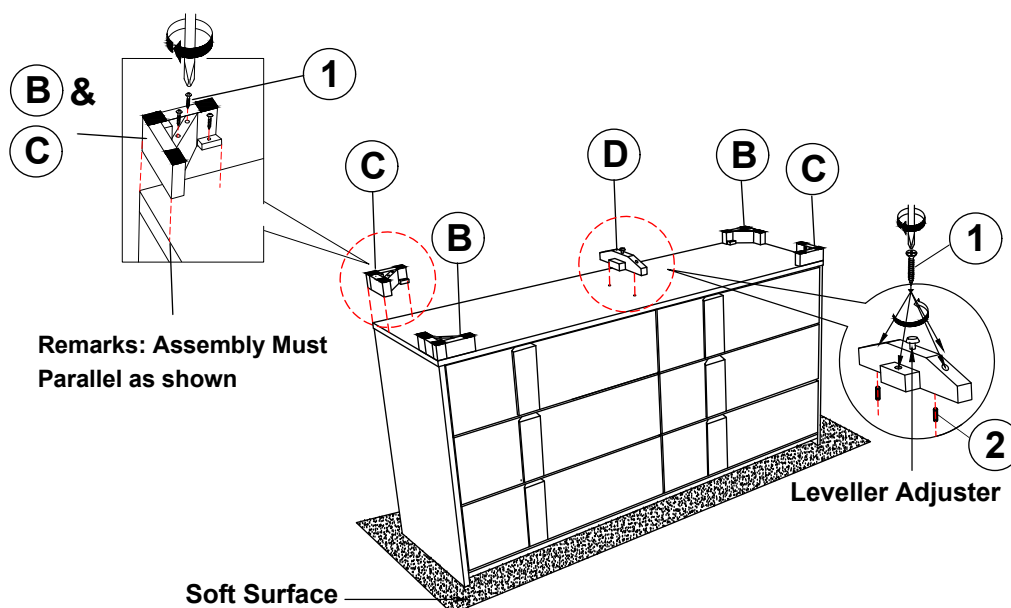


ASSEMBLY INSTRUCTIONS

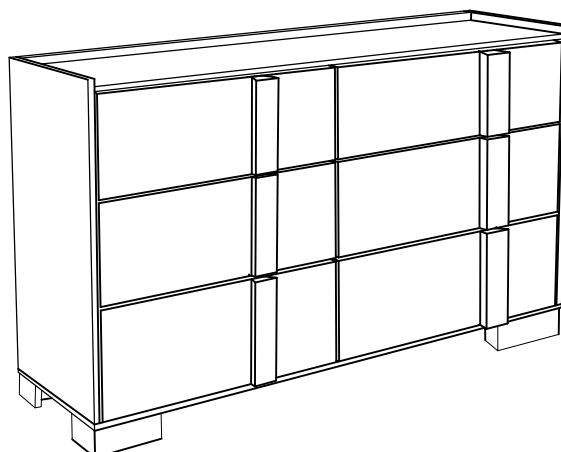
STEP 1



STEP 2



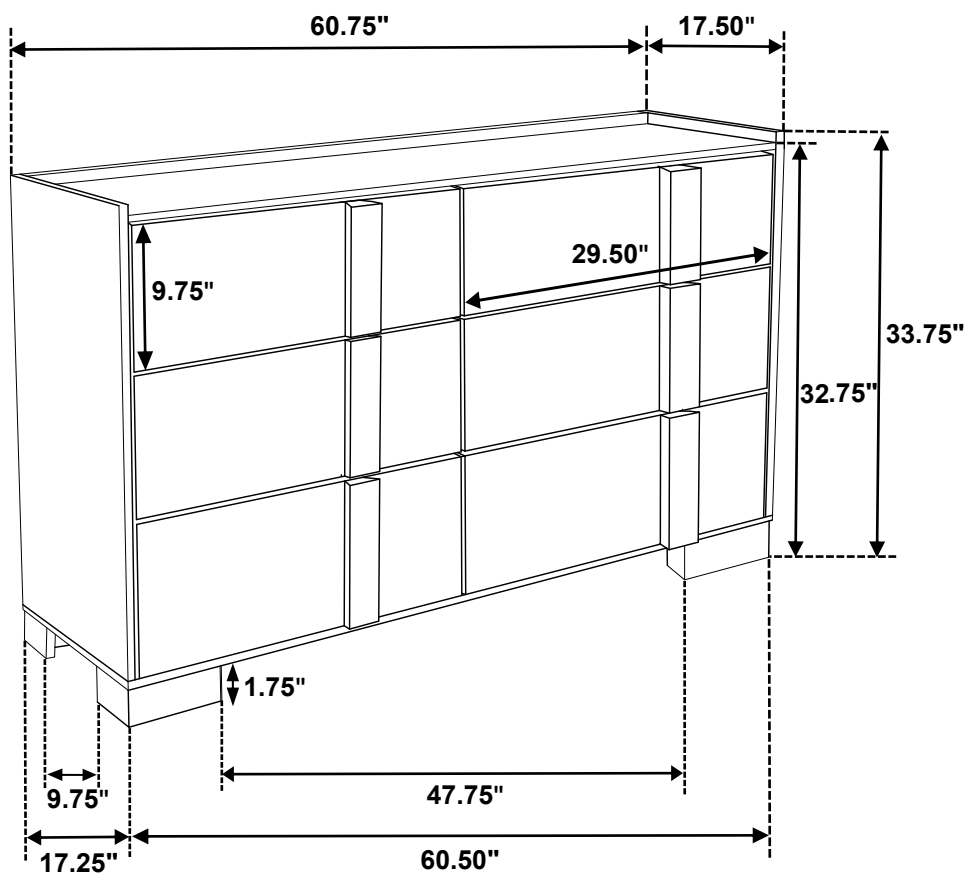
STEP 3 COMPLETE



ITEM: **215653**



Inner Size of Drawer : 28.50"W x 11.00"D x 10.50"H x 0.25"T



Note : Dimension tolerance \pm 5%

ASSEMBLY INSTRUCTIONS
COASTER FINE FURNITURE



Fine Furniture for every stage of life

215654
Mirror

ITEM: **215654**



ASSEMBLY INSTRUCTIONS

ASSEMBLY TIPS:

1. Remove hardware from box and sort by size.
2. Please check to see that all hardware and parts are present prior to start of assembly.
3. Please follow attached instructions in the same sequence as numbered to assure fast & easy assembly.



WARNING!

1. Don't attempt to repair or modify parts that are broken or defective. Please contact the store immediately.
2. This product is for home use only and not intended for commercial establishments.

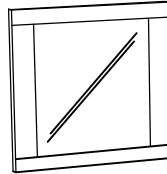


ASSEMBLY TIME

15 MINUTES

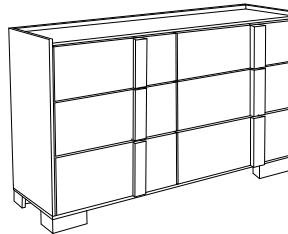
PARTS IDENTIFICATION

A MIRROR



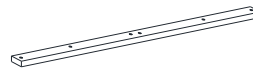
1PC

B DRESSER FROM
BOX ITEM #215653



1PC

C MIRROR SUPPORT
(PACKED WITH DRESSER)



2PCS

HARDWARE IDENTIFICATION

1 FLAT HEAD SCREW
(M4 x 32mm - RBW)



10PCS

NOTE:

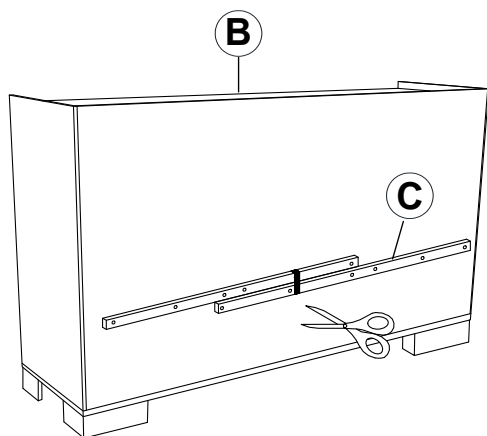
Phillips head screw driver is required in the assembly process; however, manufacturer does not provide this item.

ITEM: **215654**

ASSEMBLY INSTRUCTIONS

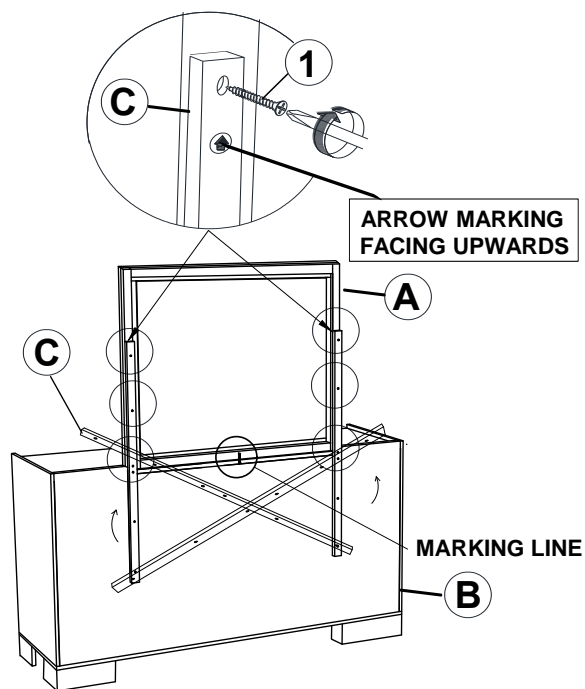


STEP 1



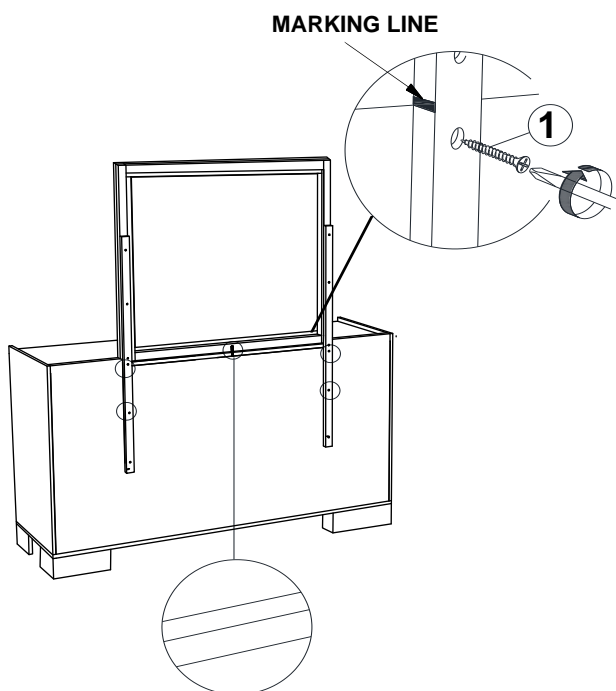
****BACK VIEW****

STEP 2



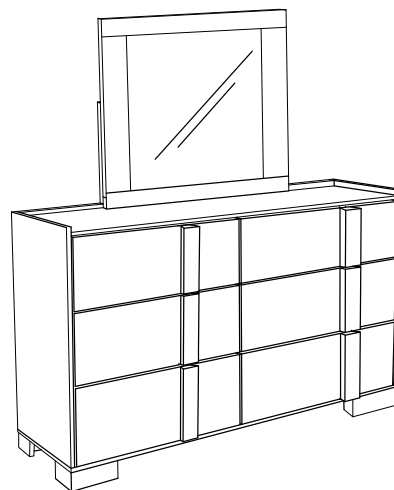
****BACK VIEW****

STEP 3

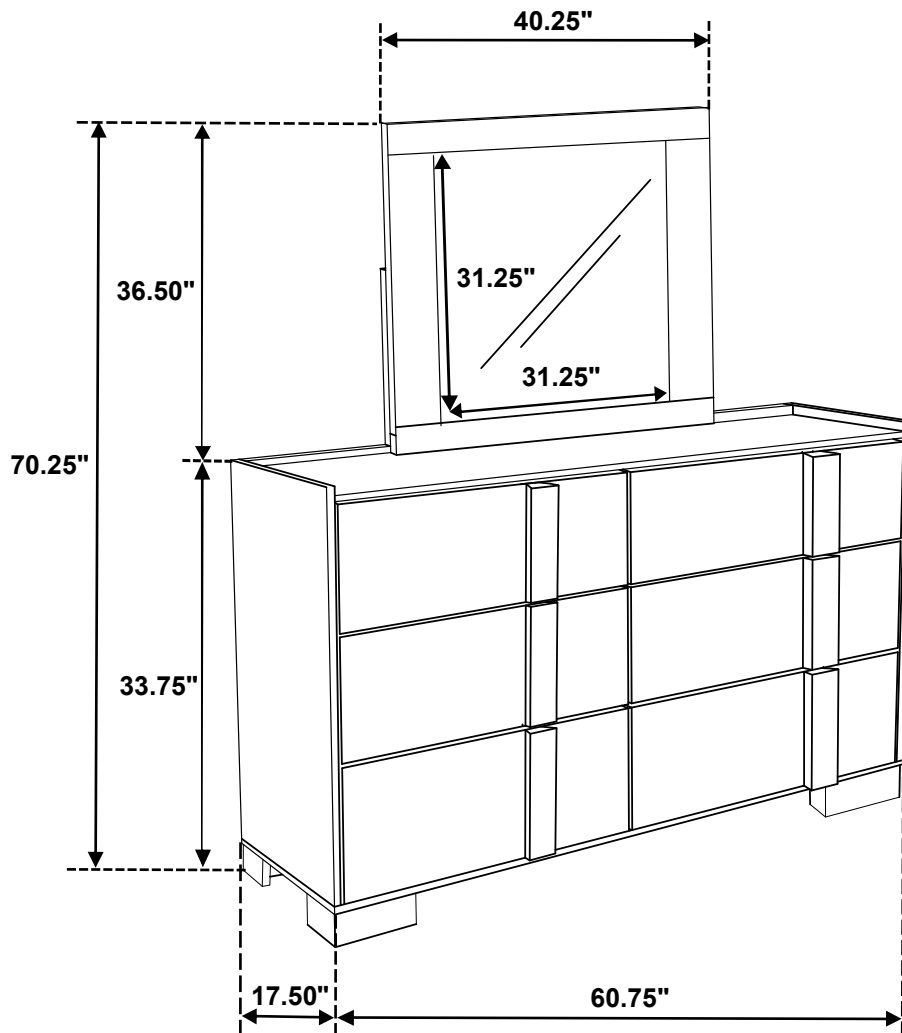


**REMARK
MARKING LINE MUST BE ALIGNED**

**STEP 4
COMPLETE**



ITEM:215654



Note : Dimension tolerance $\pm 5\%$

ASSEMBLY INSTRUCTIONS
COASTER FINE FURNITURE



Fine Furniture for every stage of life

215655
Chest

ITEM: **215655**



ASSEMBLY INSTRUCTIONS

ASSEMBLY TIPS:

1. Remove hardware from box and sort by size.
2. Please check to see that all hardware and parts are present prior to start of assembly.
3. Please follow attached instructions in the same sequence as numbered to assure fast & easy assembly.



WARNING!

1. Don't attempt to repair or modify parts that are broken or defective. Please contact the store immediately.
2. This product is for home use only and not intended for commercial establishments.

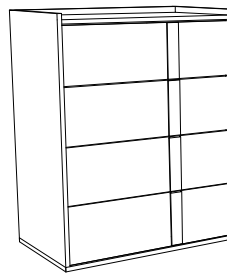


ASSEMBLY TIME

5 MINUTES

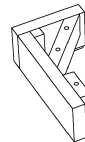
PARTS IDENTIFICATION

A CHEST



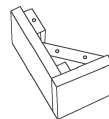
1PC

B LEG WITH LABEL B



2PCS

C LEG WITH LABEL C



2PCS

HARDWARE IDENTIFICATION

1 FLAT HEAD SCREW
(M4 x 28mm - RBW)



12PCS

NOTE:

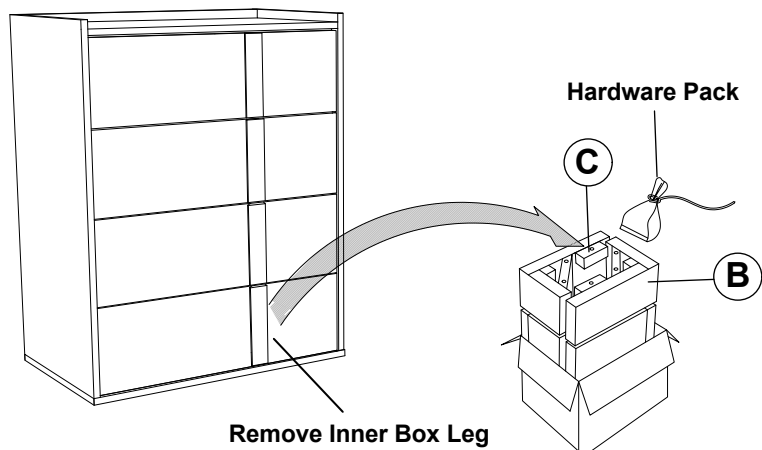
Phillips head screw driver is required in the assembly process; however, manufacturer does not provide this item.

ITEM: **215655**

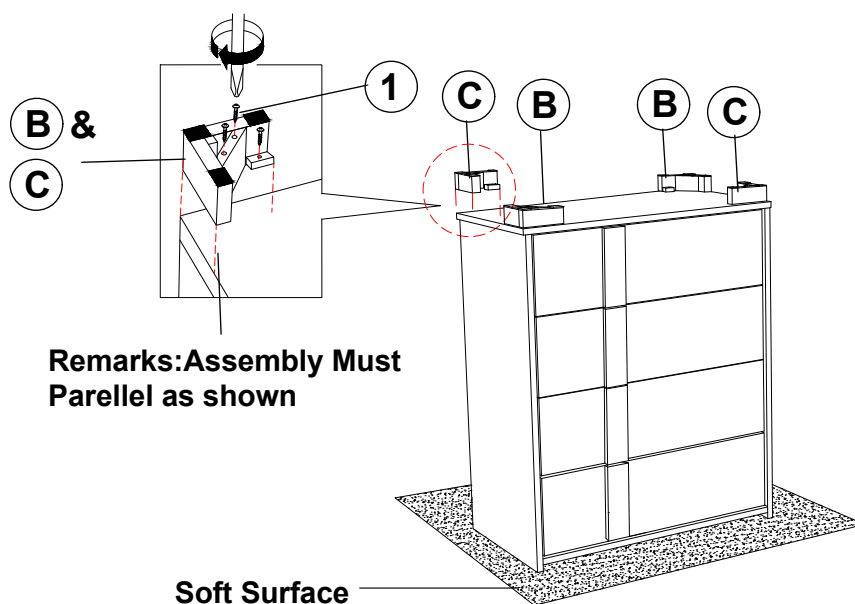
ASSEMBLY INSTRUCTIONS



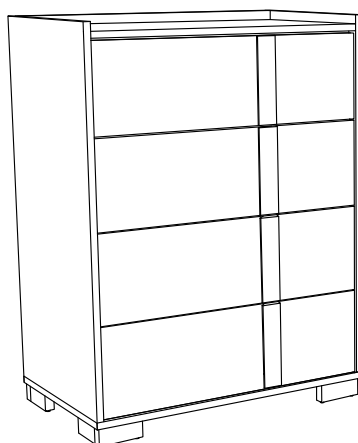
STEP 1



STEP 2



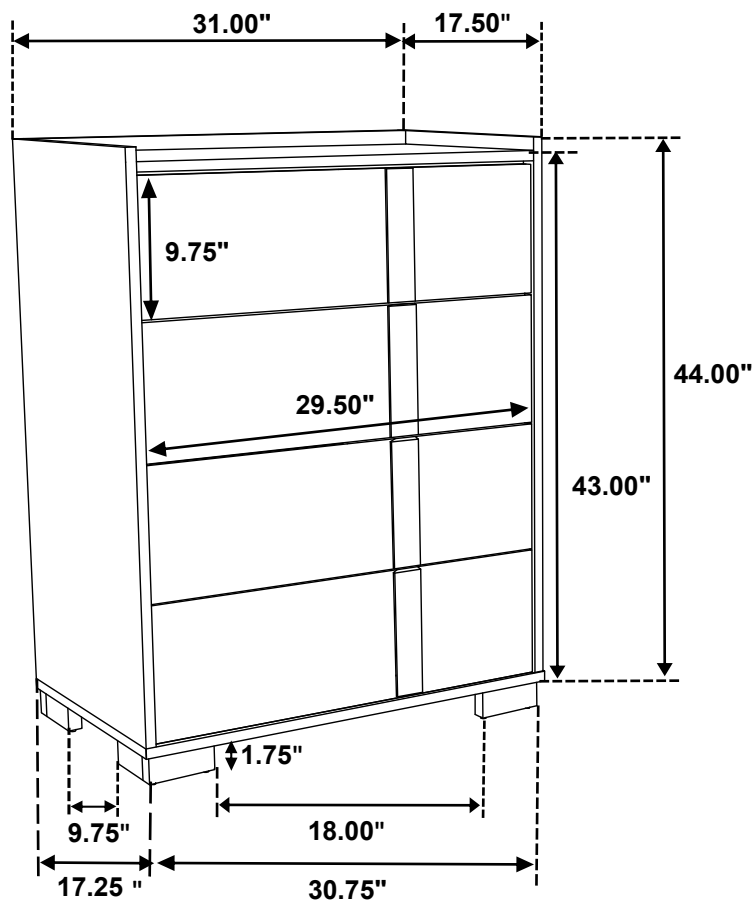
STEP 3
COMPLETE



ITEM: **215655**



Inner Size of Drawer : 28.00"W x 11.25"D x 5.25"H x 0.25"T



Note : Dimension tolerance $\pm 5\%$