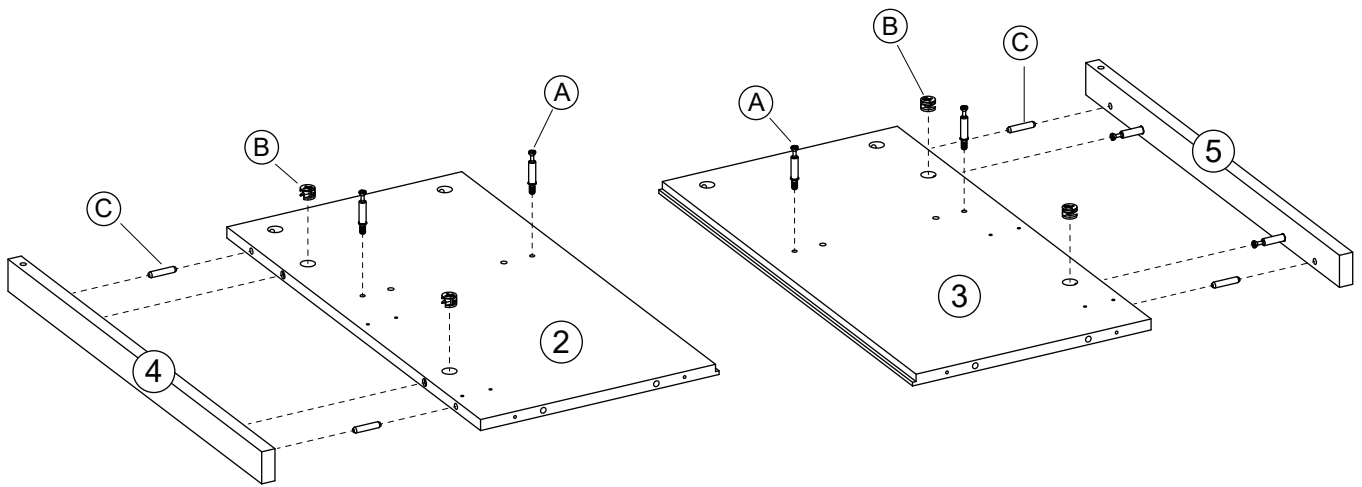
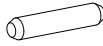
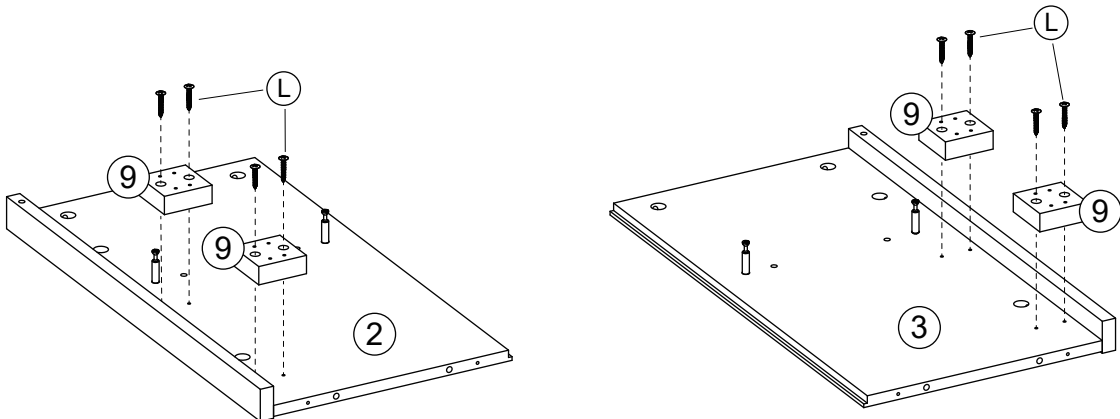


B x4

C x4

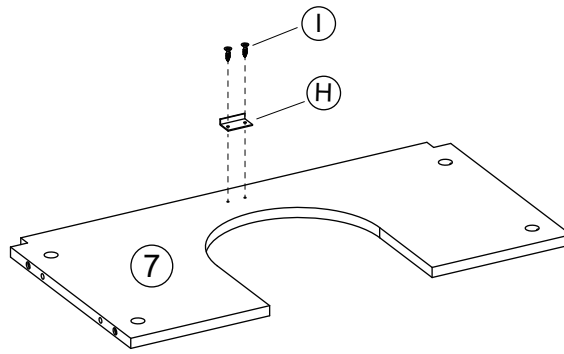


L x8



L x 2

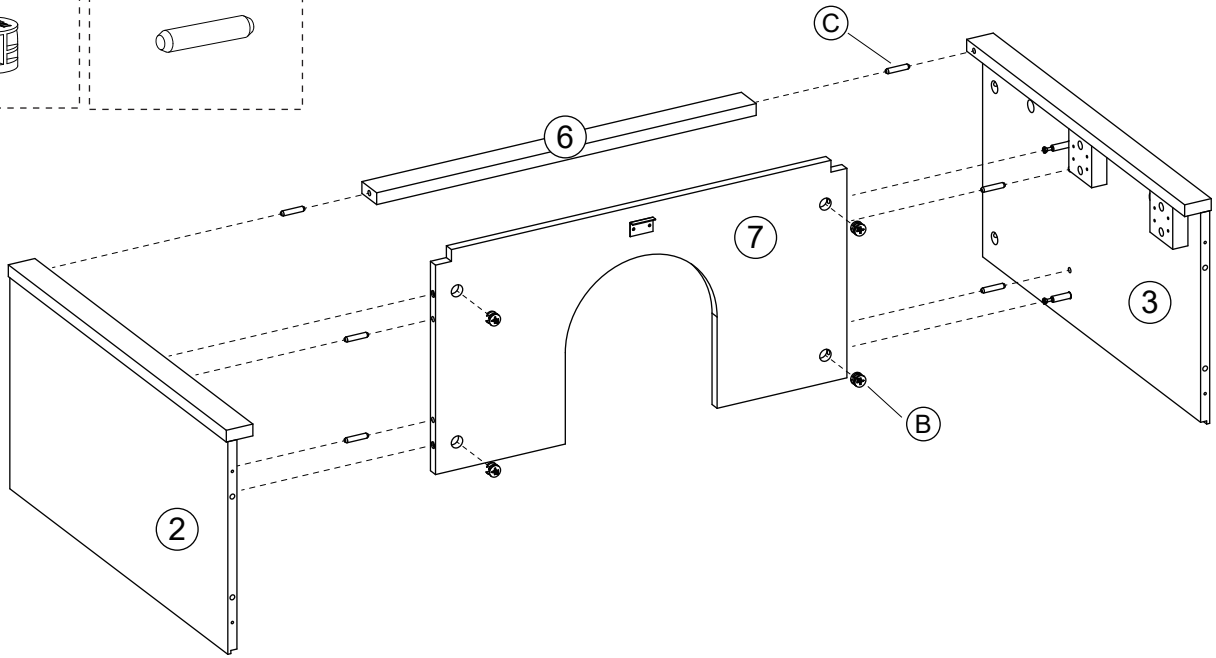
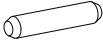
03



B x 4

C x 6

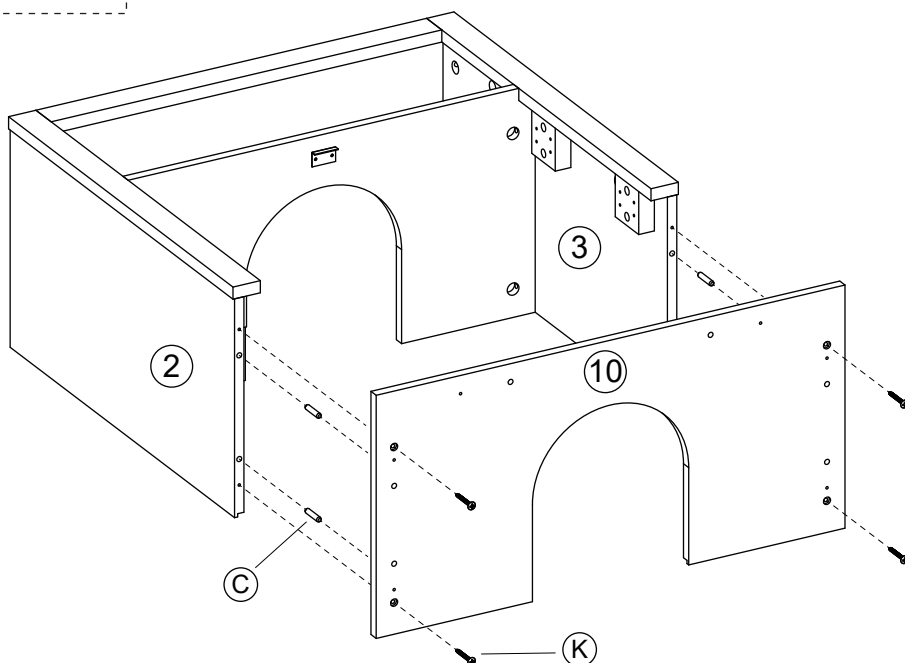
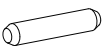
04



C x 4

K x 4

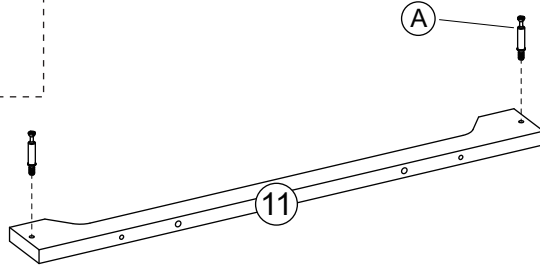
05



B x 2

A

11

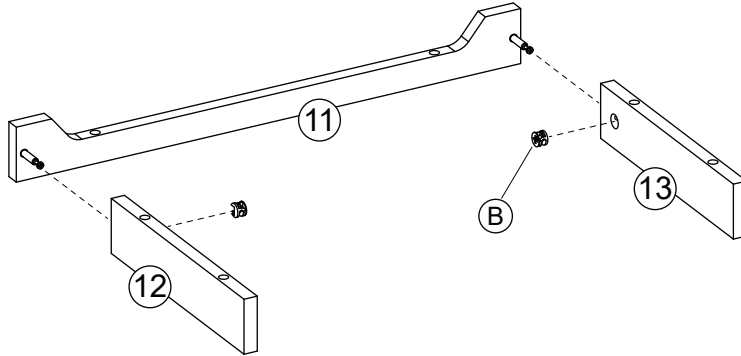


11

13

B

12



C x 6

J x 4

K x 2

10

11

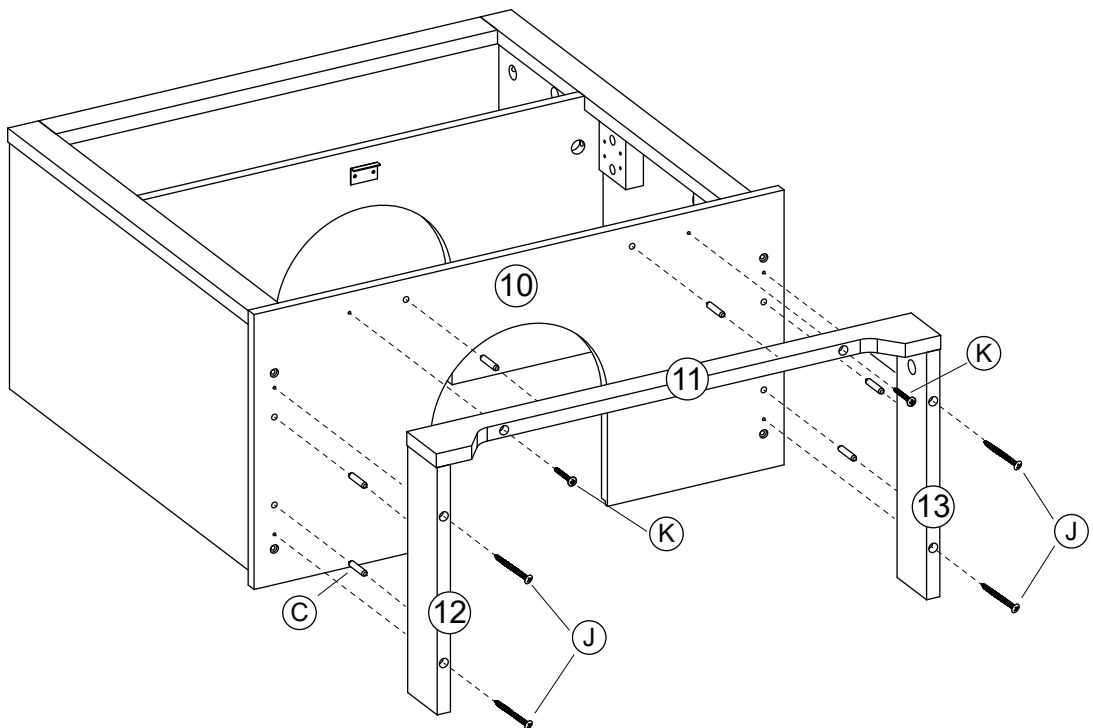
K

13

C

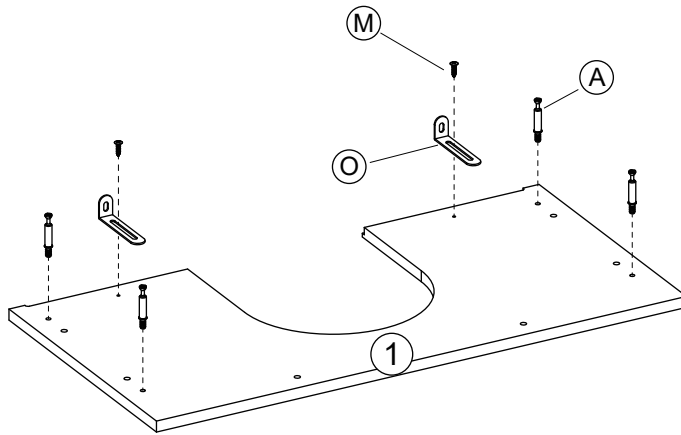
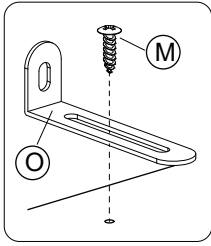
12

J



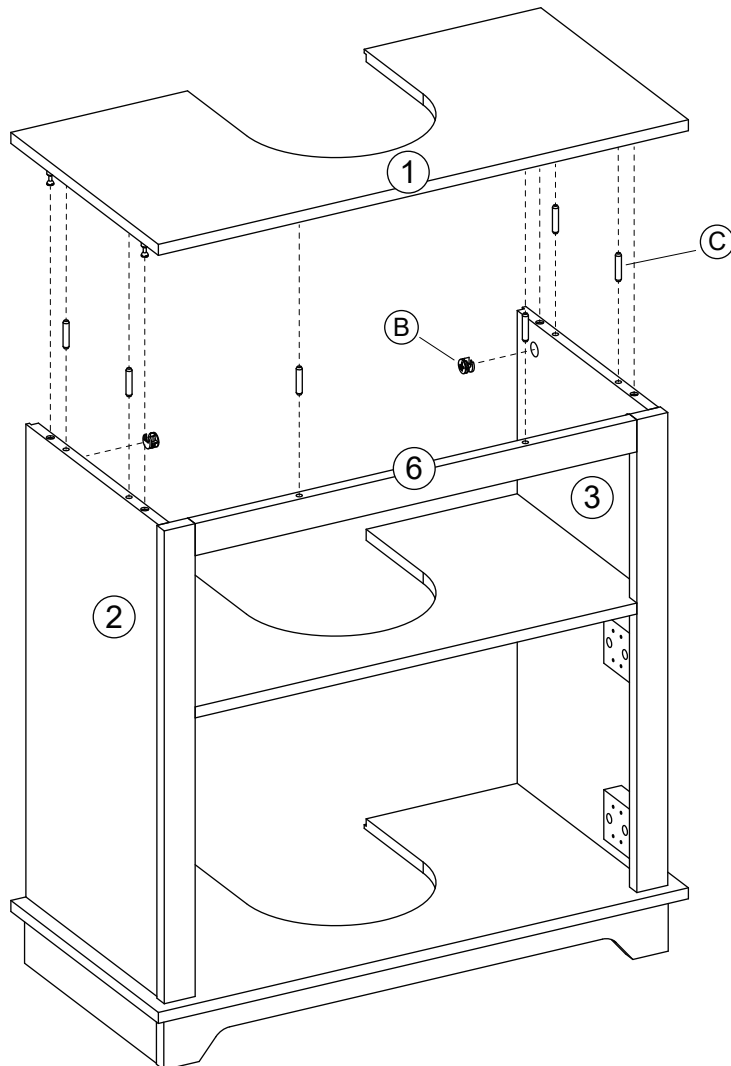
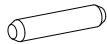
Mx2

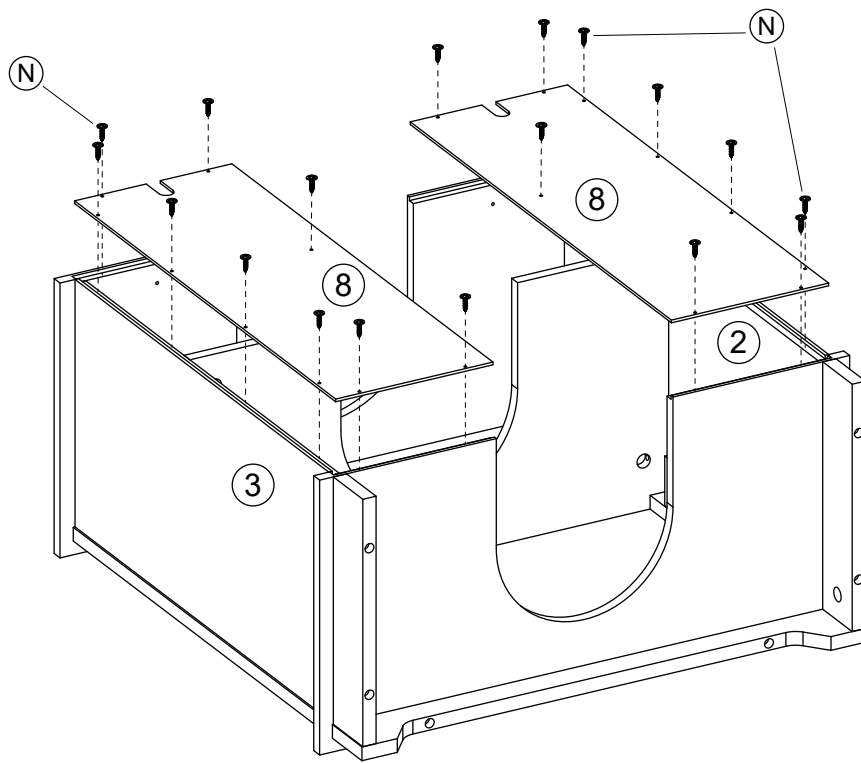
Ox2



Bx4

Cx6





D x2

E x2

F x4

G x8

