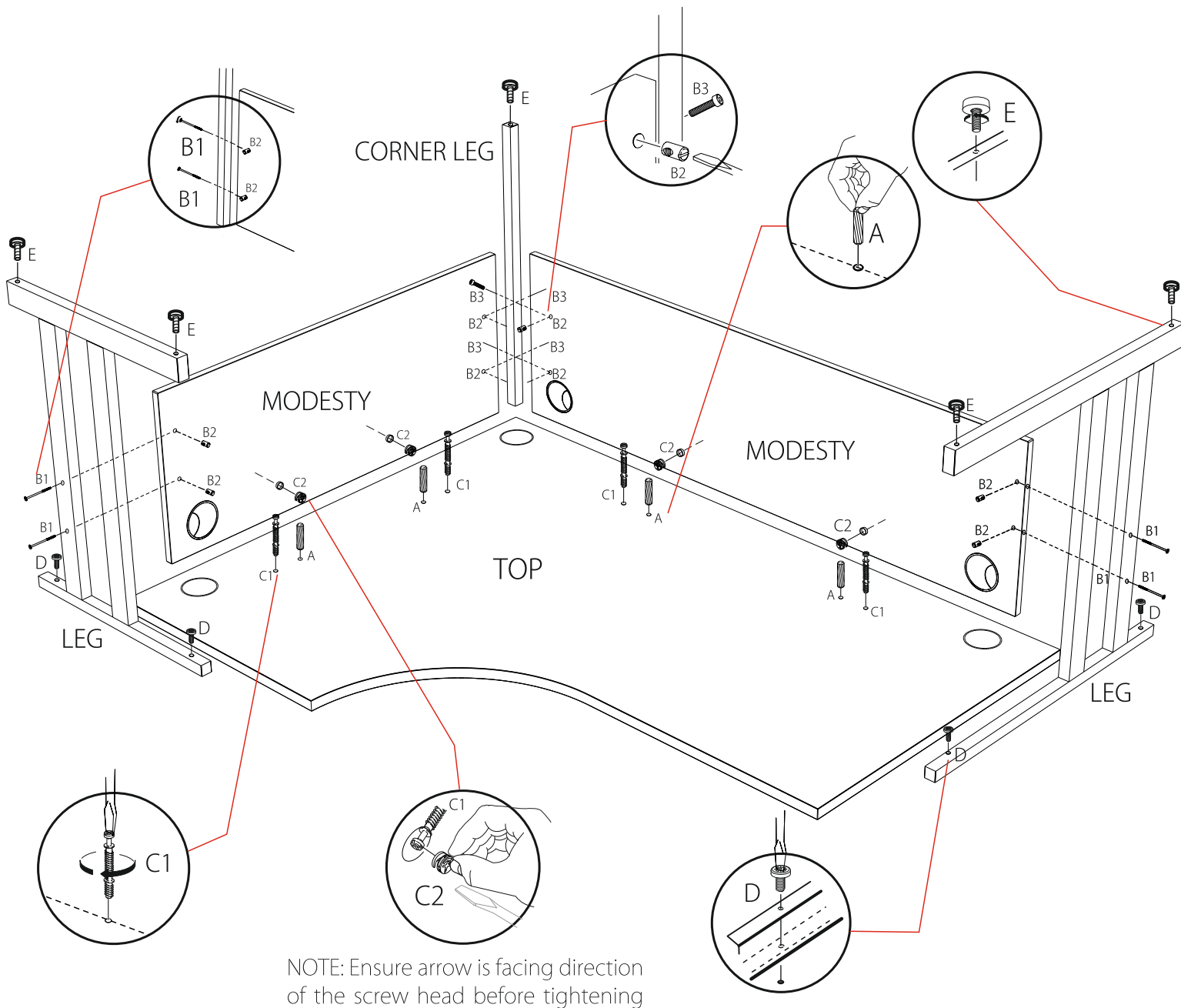


CRESCENT DESK – CANTILEVER

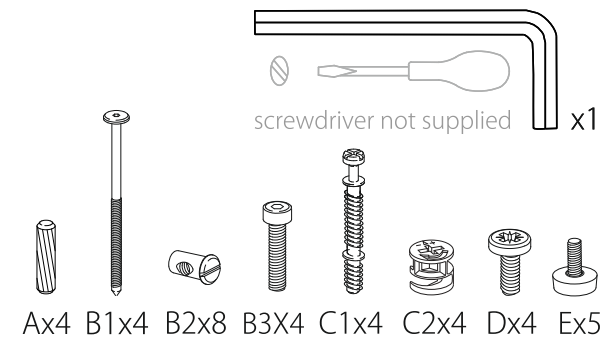
Assembly instruction



NOTE: Ensure arrow is facing direction of the screw head before tightening

- 1) Separate all parts and fittings.
- 2) Check all parts you have received are correct.
- 3) Place the desk top upside down. This will require two people.
- 4) Attach all wooden dowels (A) to the desk top.
- 5) Attach all screws (C1) to the desk top.
- 6) Insert the cable ports into the modesty panel
- 7) Position the modesty panels on the desk. Ensure the dowels and screws are inserted into the correct holes.
- 8) Place the cam locks (C2) into position in the modesty panel and turn them to lock the modesty panel into place.
- 9) Position the cross dowels (B2) in the modesty panels.
- 10) Position the corner leg so the small holes are facing the modesty panels and insert the Screws (B3). The screws will need to be inserted all the way through the leg. Tighten the screws into the cross dowels (B2) to secure the leg to the desk.
- 11) Attach the cantilever legs to the desk top using screws (D).
- 12) Insert the screws (B1) into their positions on the cantilever leg. Tighten the screws (B1) into the cross dowels (B2) to secure the legs to the desk.
- 13) Screw the height adjusting feet (E) into the legs. Do not tighten too much as you may need to adjust the height when the desk is in position.
- 14) Go around all fittings a final time and ensure they are secure.
- 15) When turning the desk over it is important to remember that a two-person lift will mean you do not damage the assembly.
- 16) Insert the cable ports into the desk top.

If your desk requires moving after assembly, please lift with 2 people to prevent any damage to the assembly.



Ax4 B1x4 B2x8 B3x4 C1x4 C2x4 Dx4 Ex5