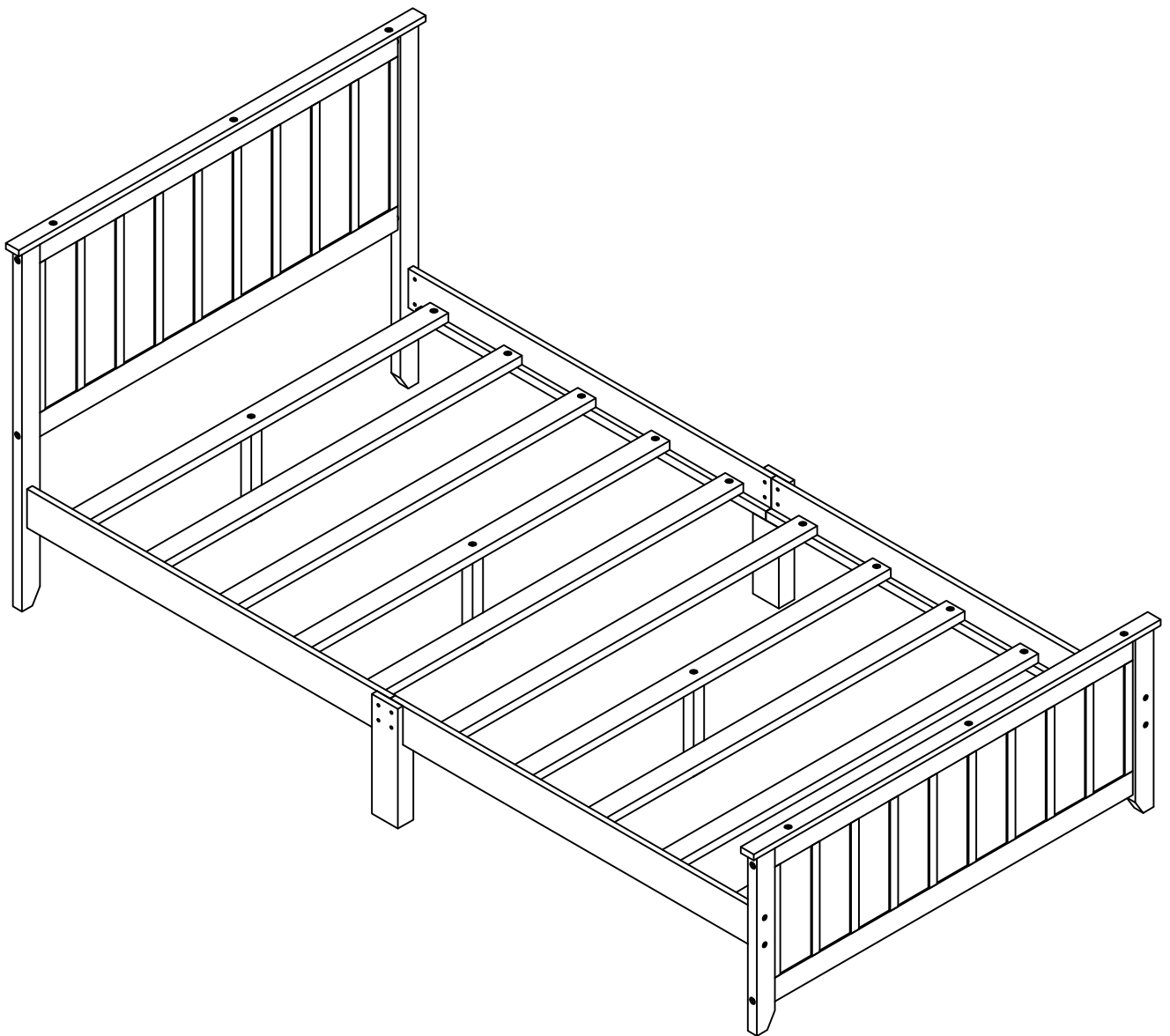


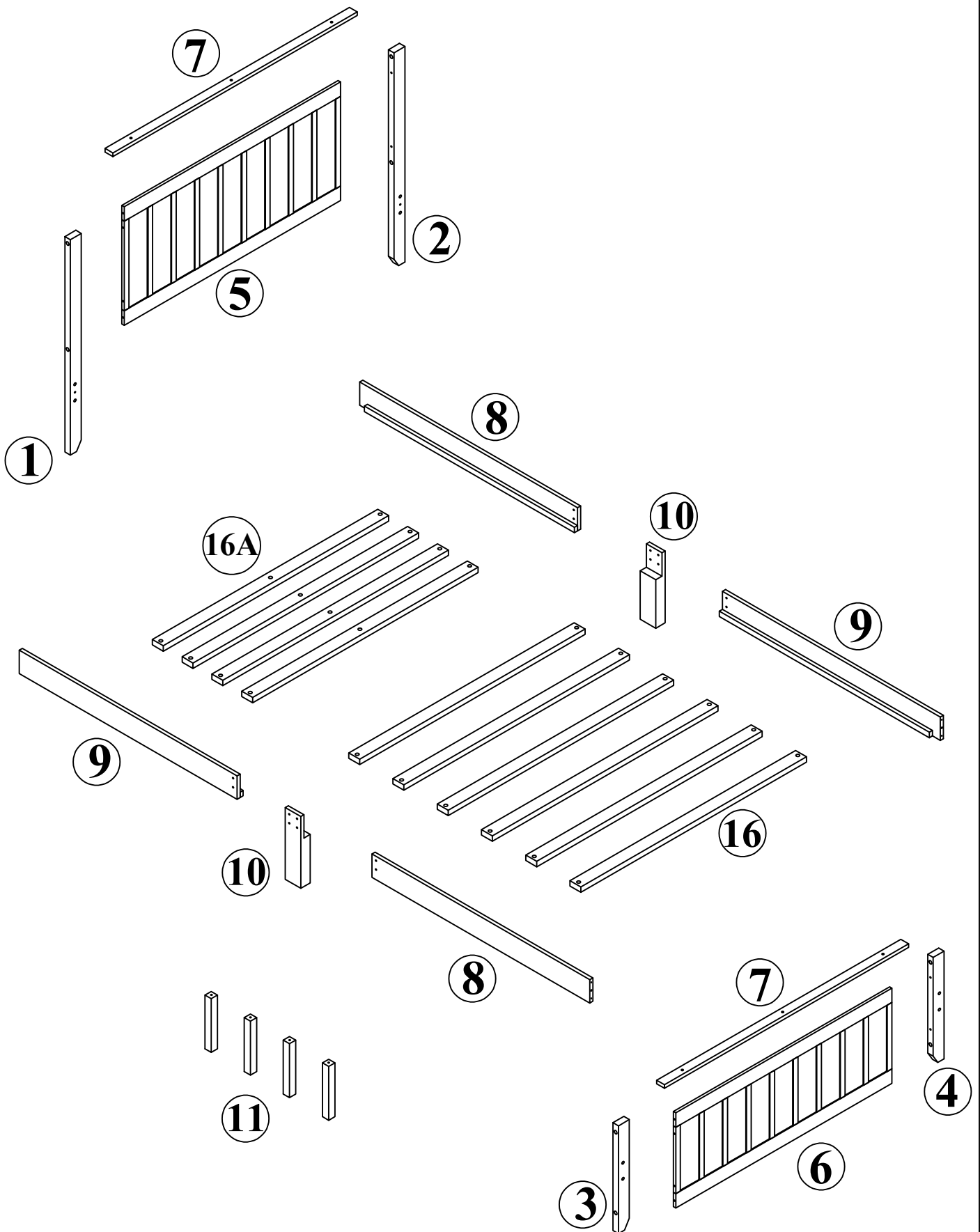
ASSEMBLY INSTRUCTIONS

FULL BED

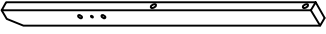
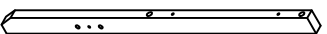
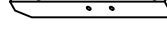
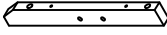
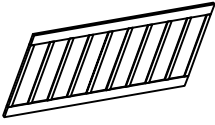
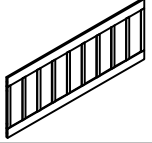
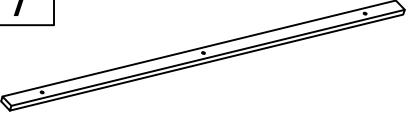
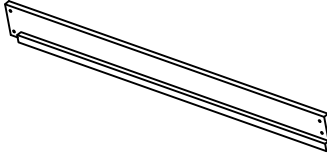
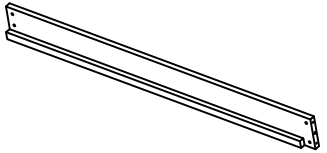
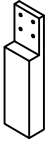
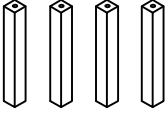
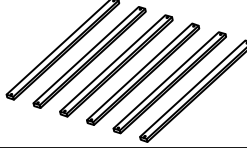
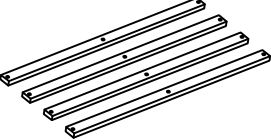


WF313317

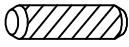
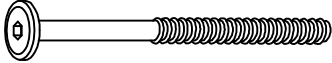

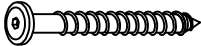



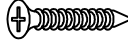
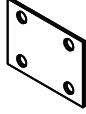

Detail View



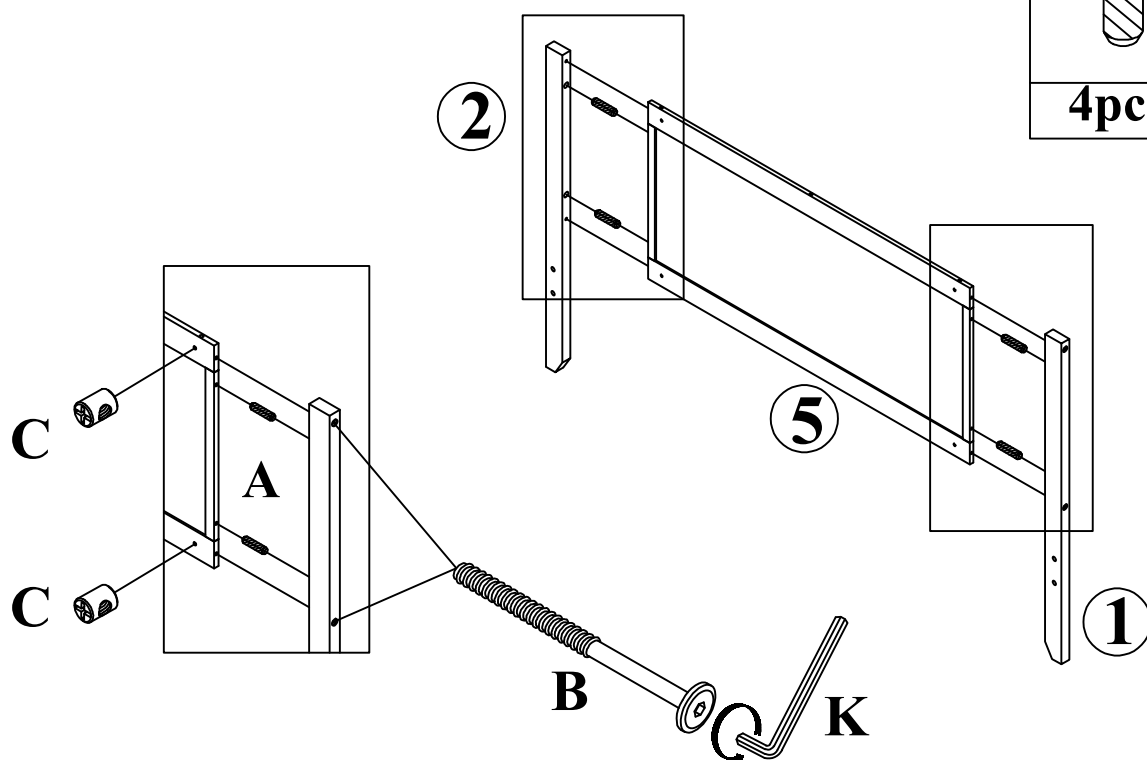
Part Lists : WF313317


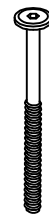
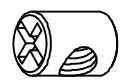
1 	2 	3 
Front leg (left) - 1pc	Front leg (right) - 1pc	Front leg (left) - 1pc
4 	5 	6 
Front leg (right) - 1pc	Bedside frame - 1pc	Bed end frame - 1pc
7 	8 	9 
Bed frame - 2pcs	Bed shoulder - 2pcs	Bed shoulder - 2pcs
10 	11 	16 
Legs support shoulders - 2pcs	Support bar - 4pcs	Slats - 6pcs
16A 		
Slats 3 hole - 4pcs		

Hardware Lists : WF313317

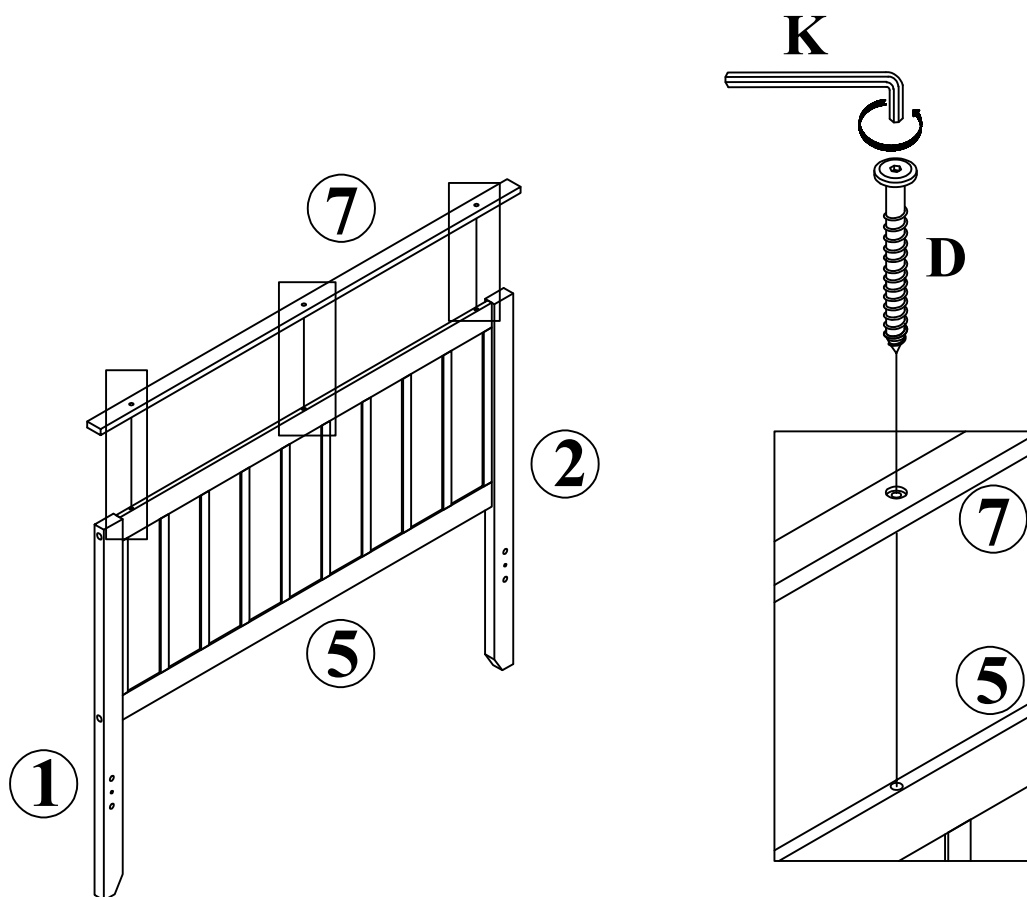
A  Ø10*30mm	B  Ø1/4"*110mm	C  Ø1/4"*9.5*12mm
Wood dowel (14pcs)	Hex-Head bolt (8pcs)	Horizontal-Hole bolt (16pcs)
D  Ø6*40mm	E  Ø1/4"*80mm	F  Ø1/4"*35mm
Hex-Head screw (6pcs)	Hex-Head bolt (8pcs)	Hex-Head bolt (12pcs)
G  Ø1/4"	H  #4*30mm	J  3x80x60mm
Nut (12pcs)	Screw (20pcs)	Pass - 2pcs
K  K4mm		
Allen key (1pc)		


Step 1:



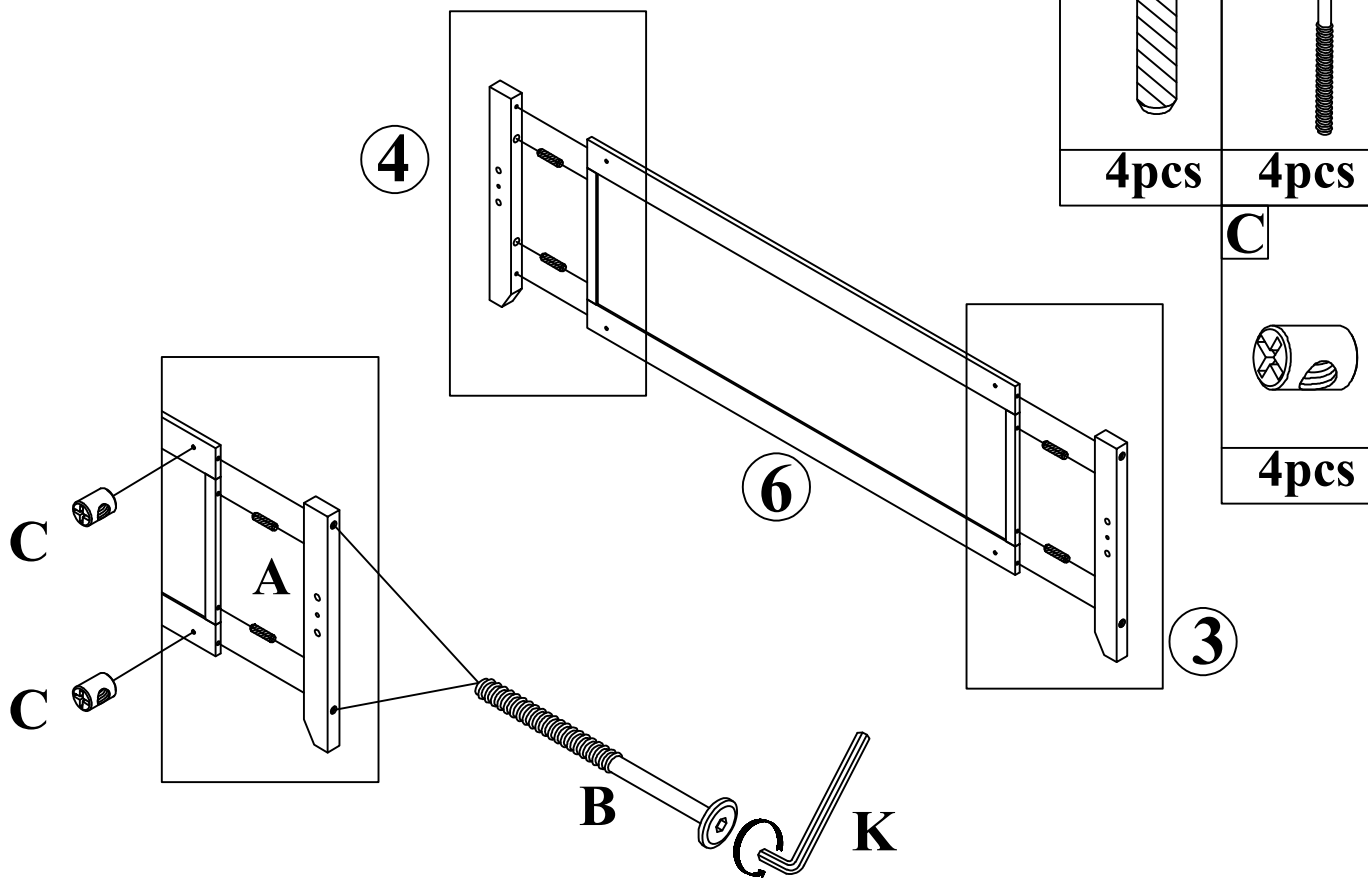
A		B	
4pcs		4pcs	
C			
		4pcs	

Step 2:

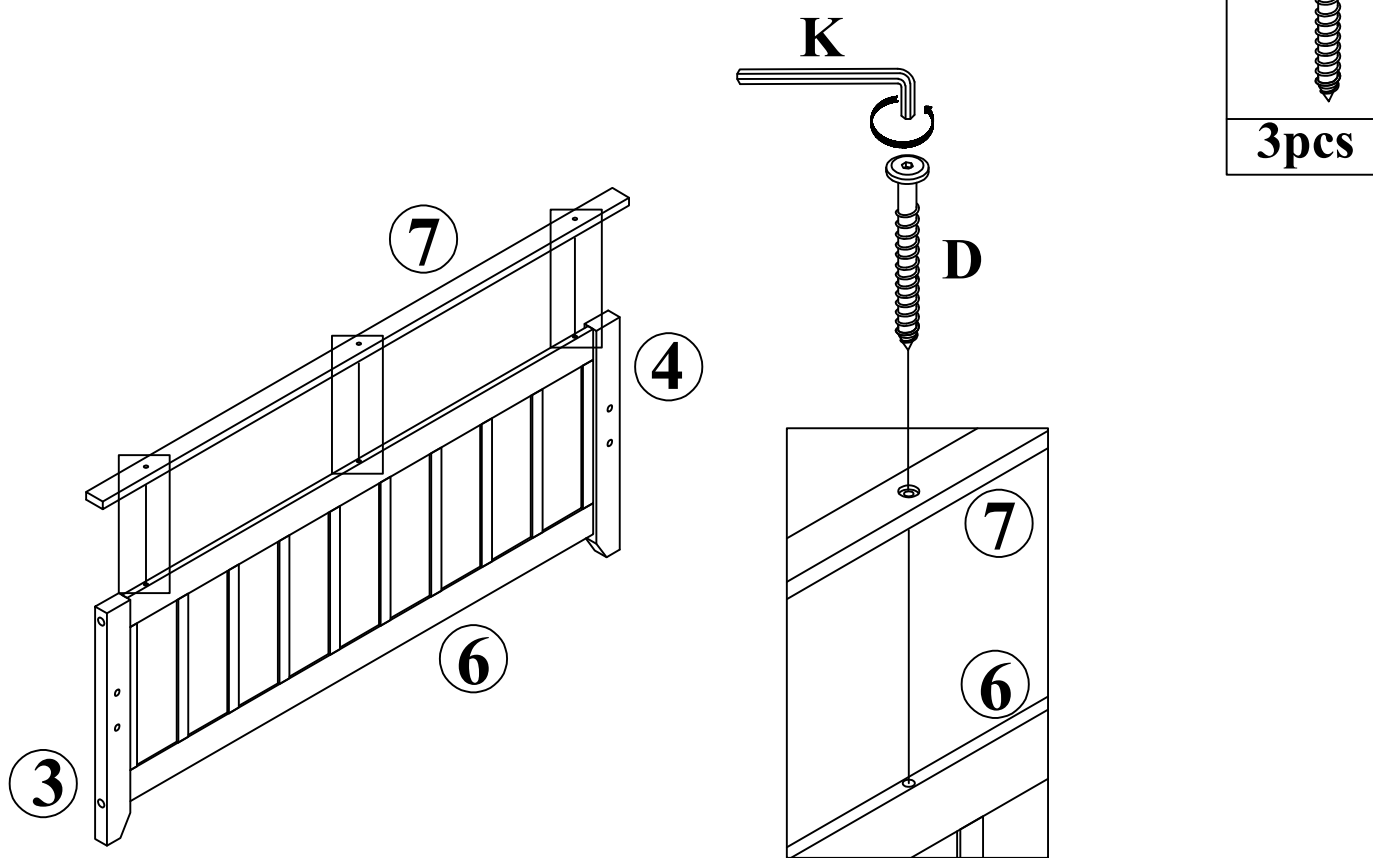


D	
3pcs	

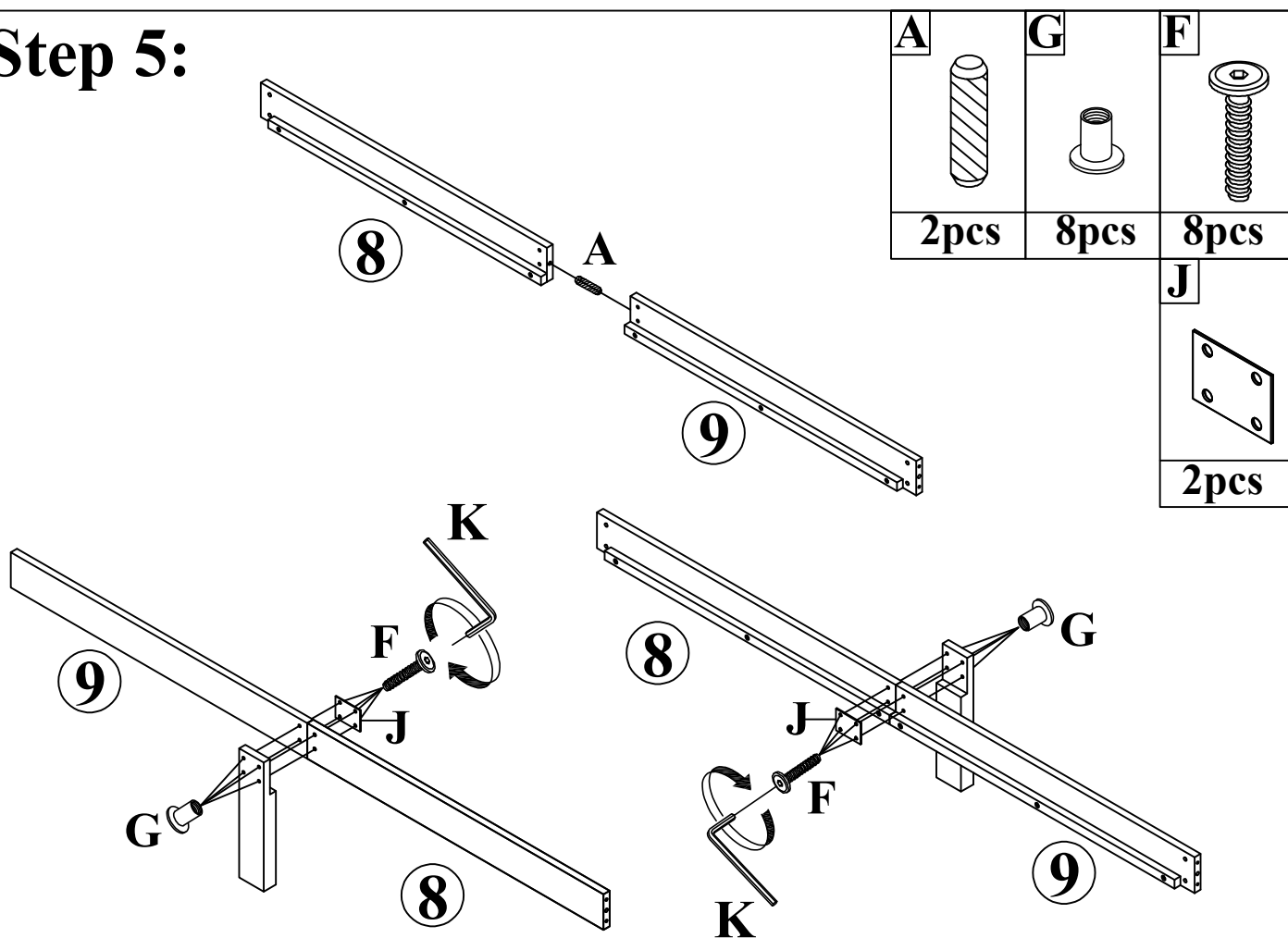
Step 3:



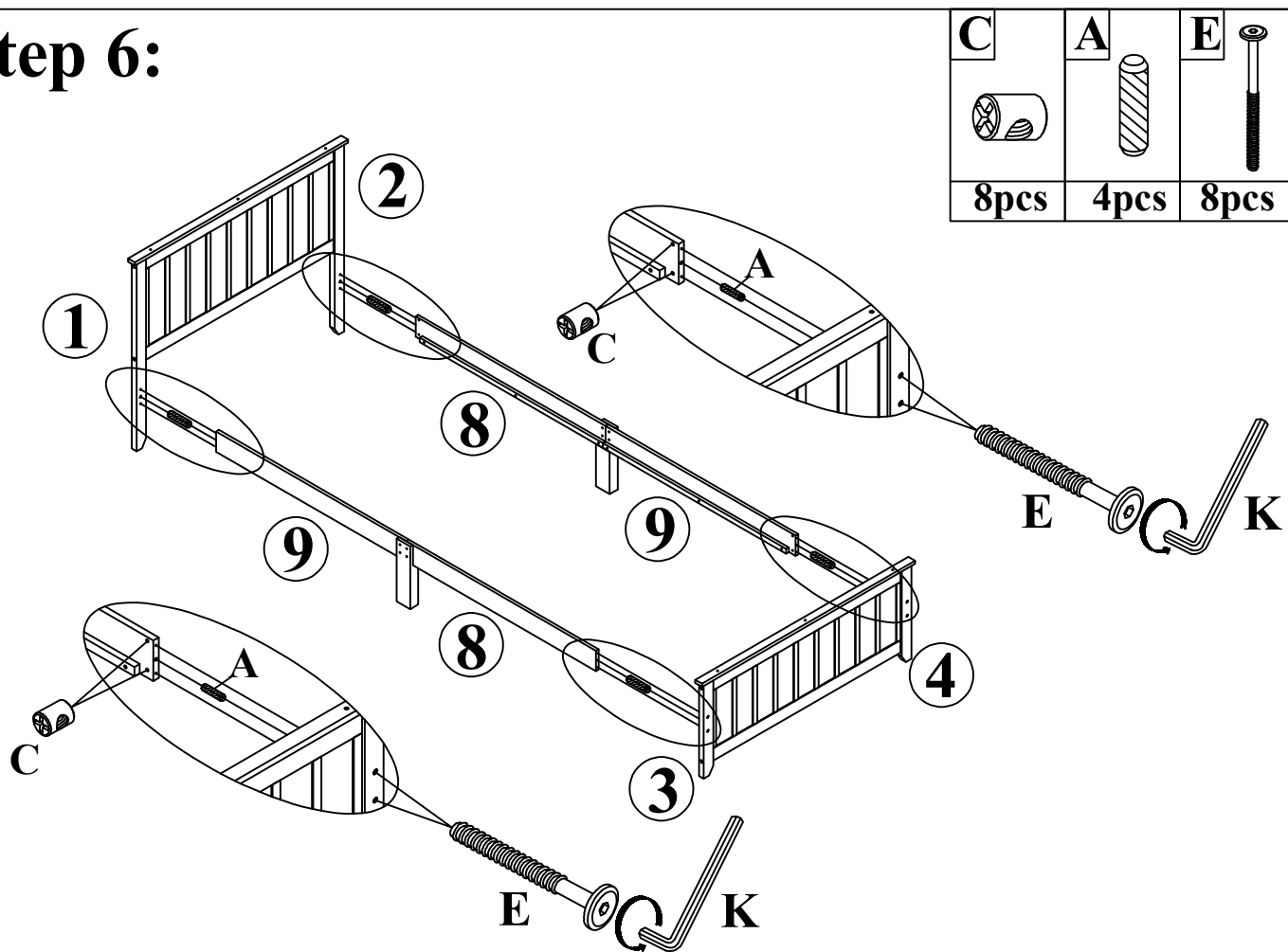
Step 4:



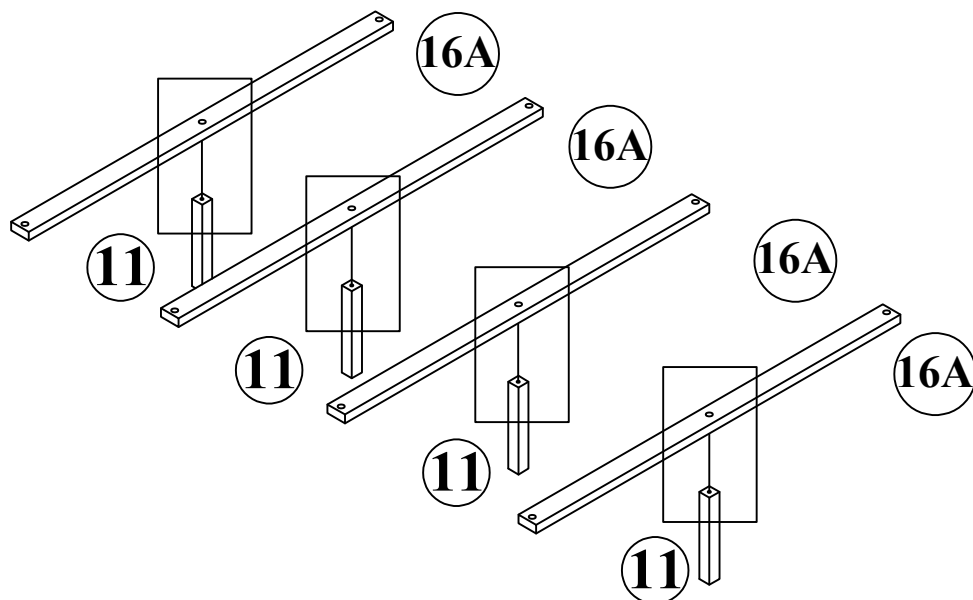
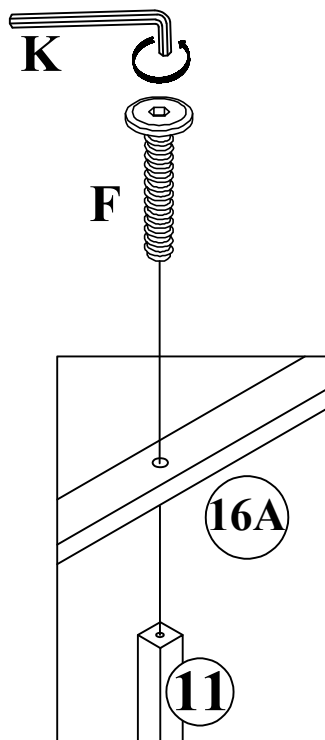
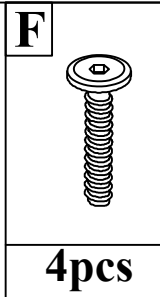
Step 5:



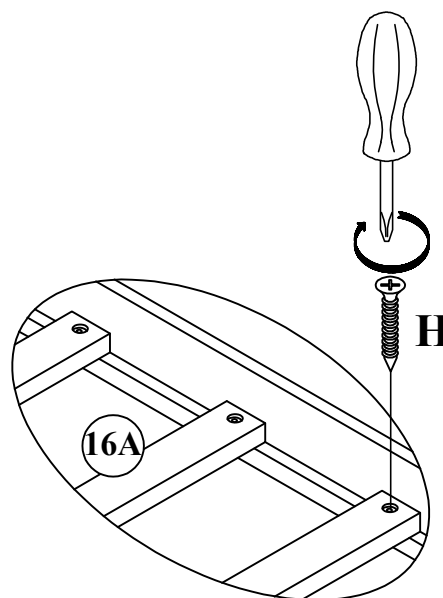
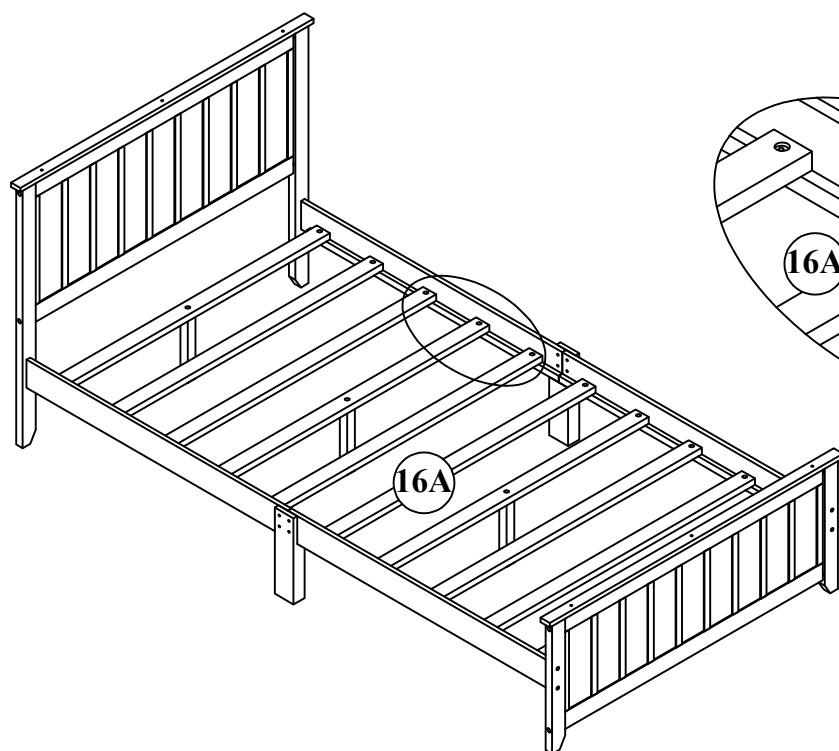
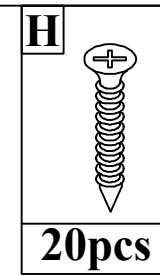
Step 6:



Step 7:



Step 8:



COMPLETED

