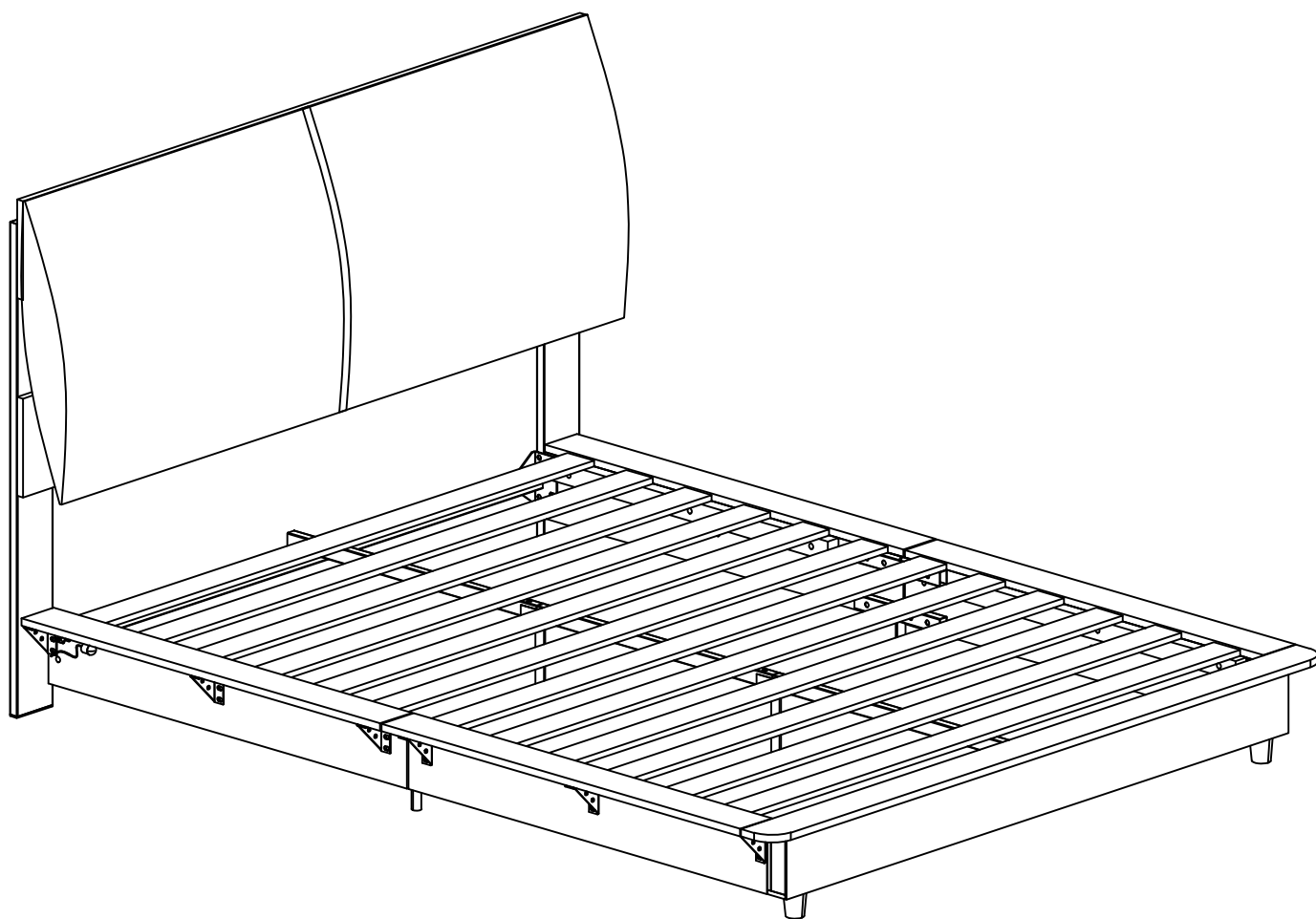
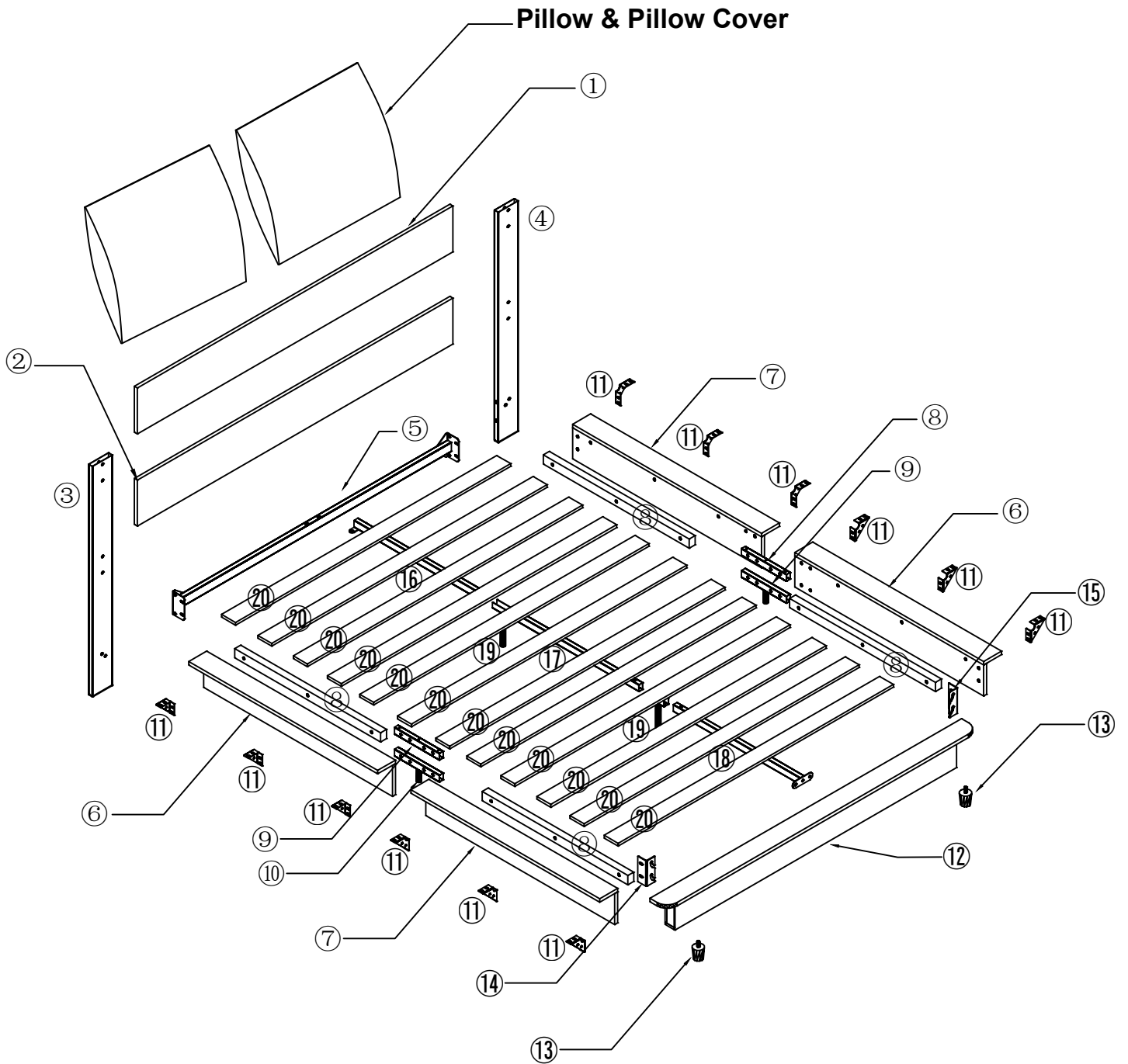


Assembly Instruction



- **This manual can be used for both Queen and Full Size bed frame. If you have any queries during assembling, please feel free to contact us.**
- **About Motion Activate LED Light:**
 - Sensor activated distance: 3ft-9ft**
 - Lighting interval: 30 seconds.**
 - Output: 24V / 2A 60Hz 28-30W**
 - CAUTION: To reduce the risk of electric shock.**
- **Use only indoor in dry locations.**
- **Suitable for Household (Residential) use only.**
 - ATTENTION: Pour réduire le risque de choc électrique. -Utiliser uniquement à l'intérieur dans des endroits secs.**
 - Approprié à l'usage domestique (résidentiel) seulement**

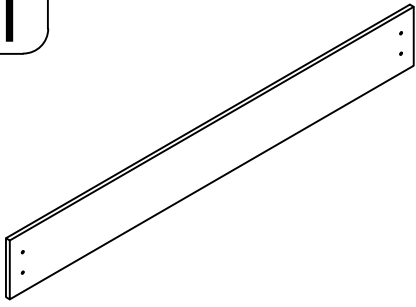
Instruction Overview



- | | | |
|----------------------|-------------------|----------------------|
| ① Headboard with Zip | ⑧ Slats Supporter | ⑭/⑮ L/R Rear Bracket |
| ② Headboard | ⑨ Rails Connector | ⑯ Center Bar Front |
| ③ Headboard Leg(L) | ⑩ Side Legs | ⑰ Center Bar Middle |
| ④ Headboard Leg(R) | ⑪ Triangle Brace | ⑱ Center Bar Rear |
| ⑤ Legs Connector | ⑫ Rear Board | ⑲ Center Bar Legs |
| ⑥/⑦ Side Rails | ⑬ Rear Legs | ⑳ Wood Slats |

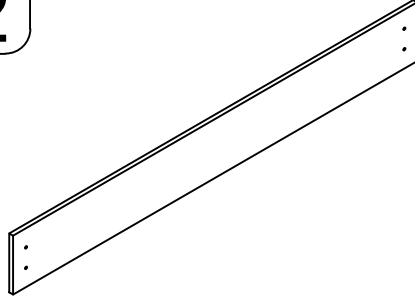
PART LIST-1

1



Headboard with zipper - 1 pc

2



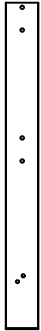
Headboard - 1 pc

3



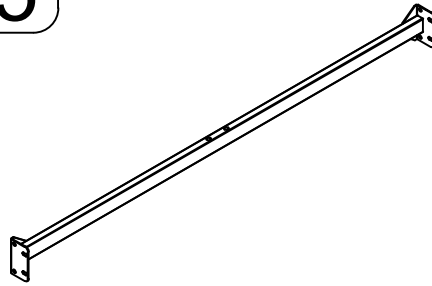
Headboard Leg Left - 1 pc

4



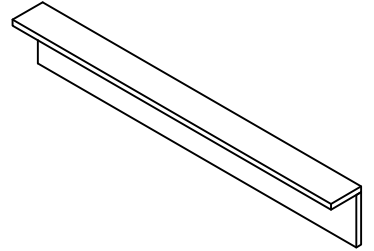
Headboard Leg Right - 1 pc

5



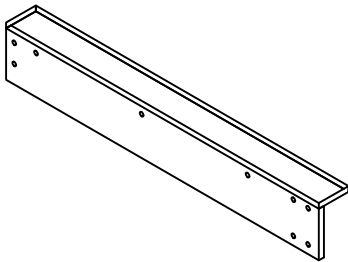
Headboard Cross Bar - 1 pc

6



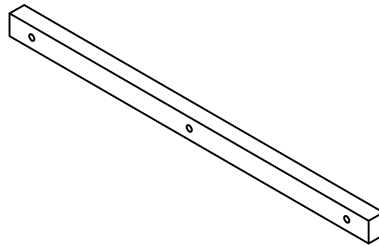
Side Rail A - 2 pcs

7



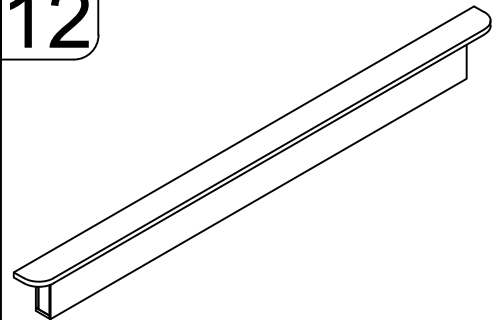
Side Rail B - 2 pcs

8



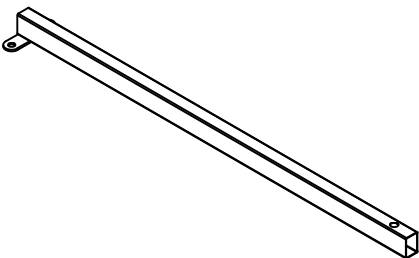
Slats Supporter - 4 pcs

12



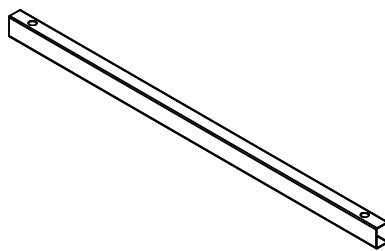
Rear Board - 1 pc

16



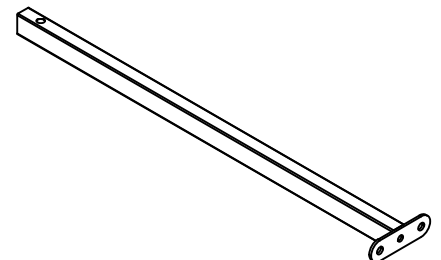
Center Bar Front - 1 pc

17



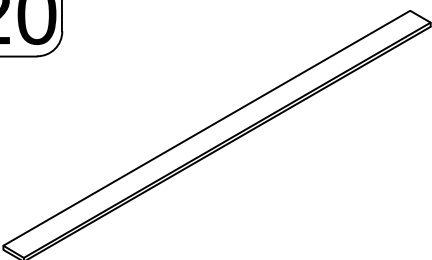
Center Bar Middle - 1 pc

18

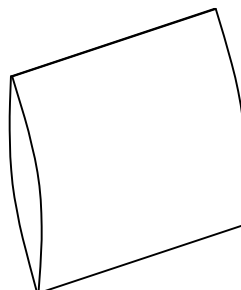


Center Bar Rear - 1 pc

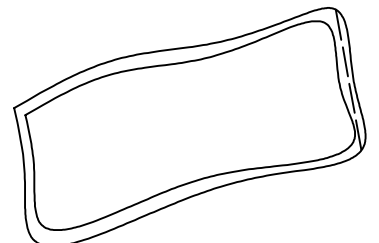
20



Wood Slats- 12 pc (2 bundles)

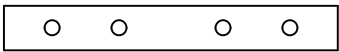
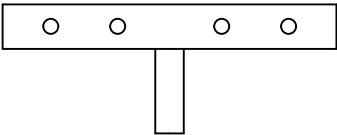
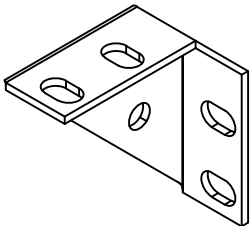
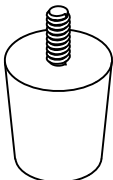
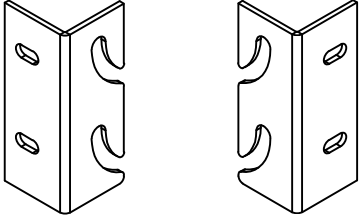
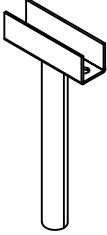


Pillow Cover - 2 pcs

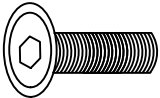
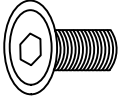
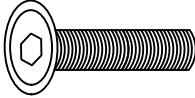


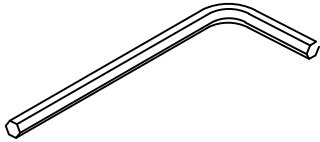

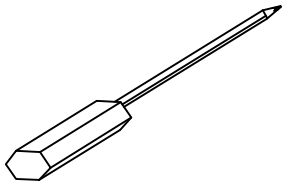


Pillow (Compressed) - 2 pcs


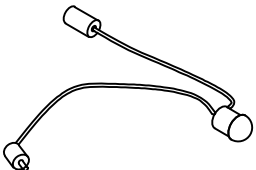
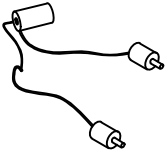
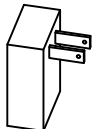
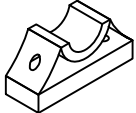
PART LIST-2



<p>9</p>  <p>Side Rail Connector - 2 pcs</p>	<p>10</p>  <p>Side Rail Legs - 2 pcs</p>	<p>11</p>  <p>Side Rail Brace - 12 pcs</p>
<p>13</p>  <p>Side Rail Connector - 2 pcs</p>	<p>14</p>  <p>Left - 1 pc Right - 1 pc Rear Bracket</p>	<p>1519</p>  <p>Center Bar Legs - 2 pcs</p>

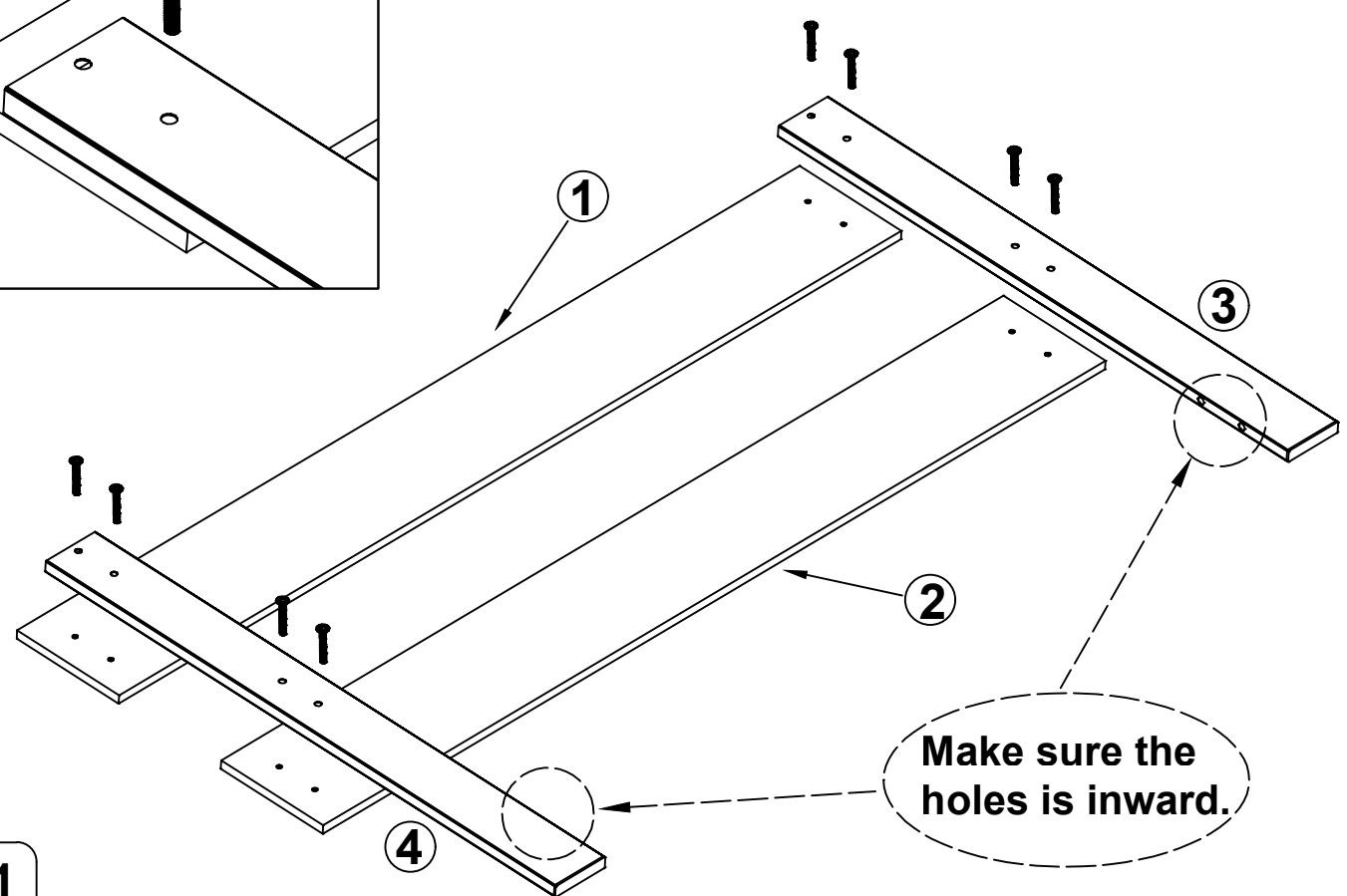
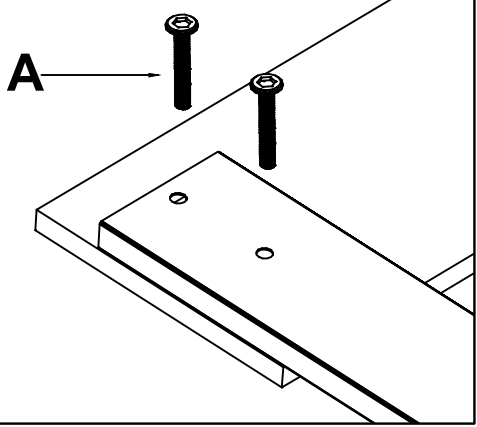
HARDWARE LIST

<p>A</p>  <p>M8*35 - 24 pcs</p>	<p>B</p>  <p>M8*16 - 20 pcs</p>	<p>C</p>  <p>M8*45 - 16 pcs</p>	<p>D</p>  <p>M6*16 - 40 pcs</p>
<p>E</p>  <p>M4*25 Tapping - 8 pcs</p>	 <p>M5 Allen Key for A/B/C</p>	 <p>M4 Allen Key for D</p>	 <p>Handdriver for E</p>


Motion Activated LED

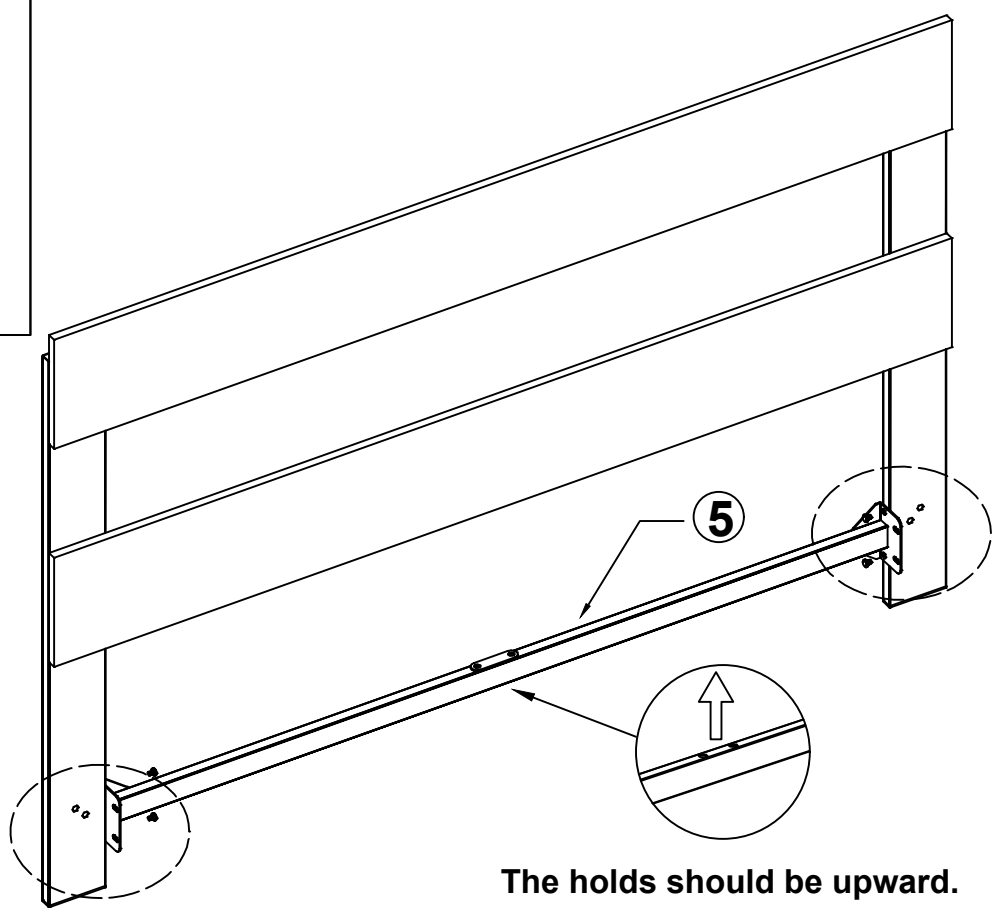
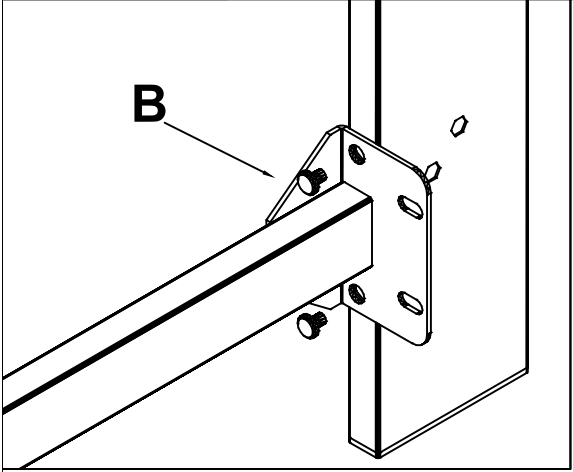
 <p>LED strip</p>	 <p>Sensor x 2</p>	 <p>2 in 1 cord</p>	 <p>Adaptor</p>	 <p>Sensor holder X2</p>
--	---	--	--	---

A		M8x35 - 8 pcs
		M5 Allen Key





STEP 1

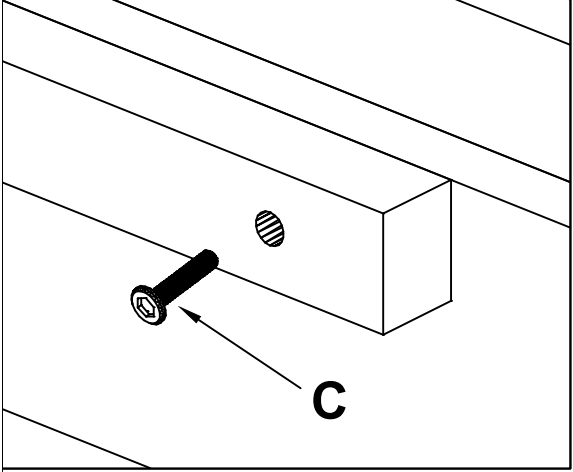
B		M8x16- 4 pcs
		M5 Allen Key



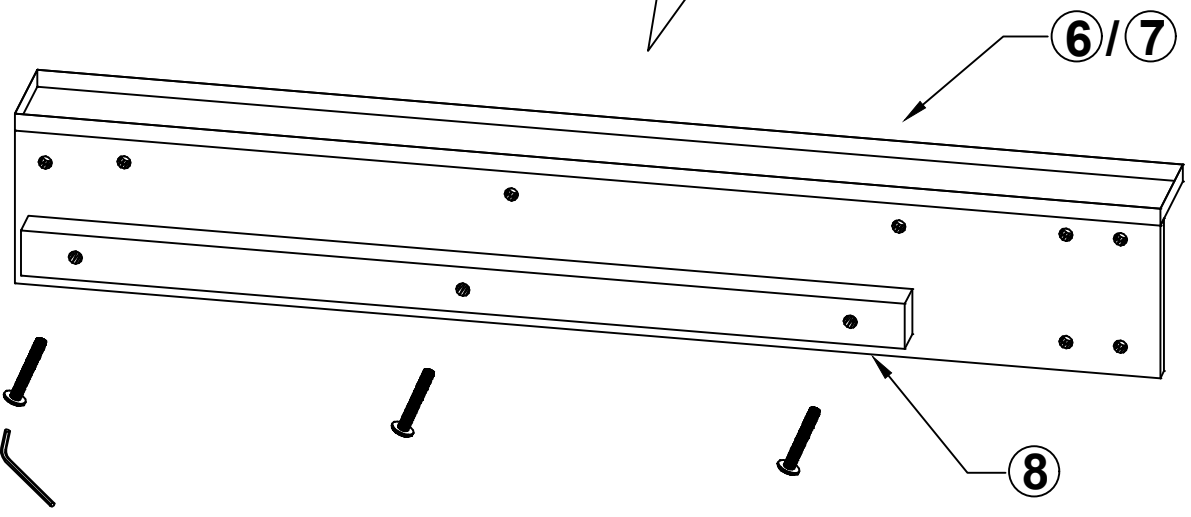
STEP 2

The holds should be upward.



 C	M8x45-12 pcs
	M5 Allen Key

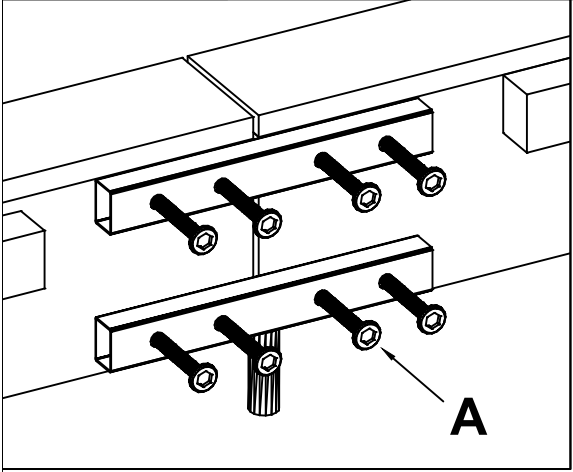


Assemble
 ⑧ on ⑥/⑦

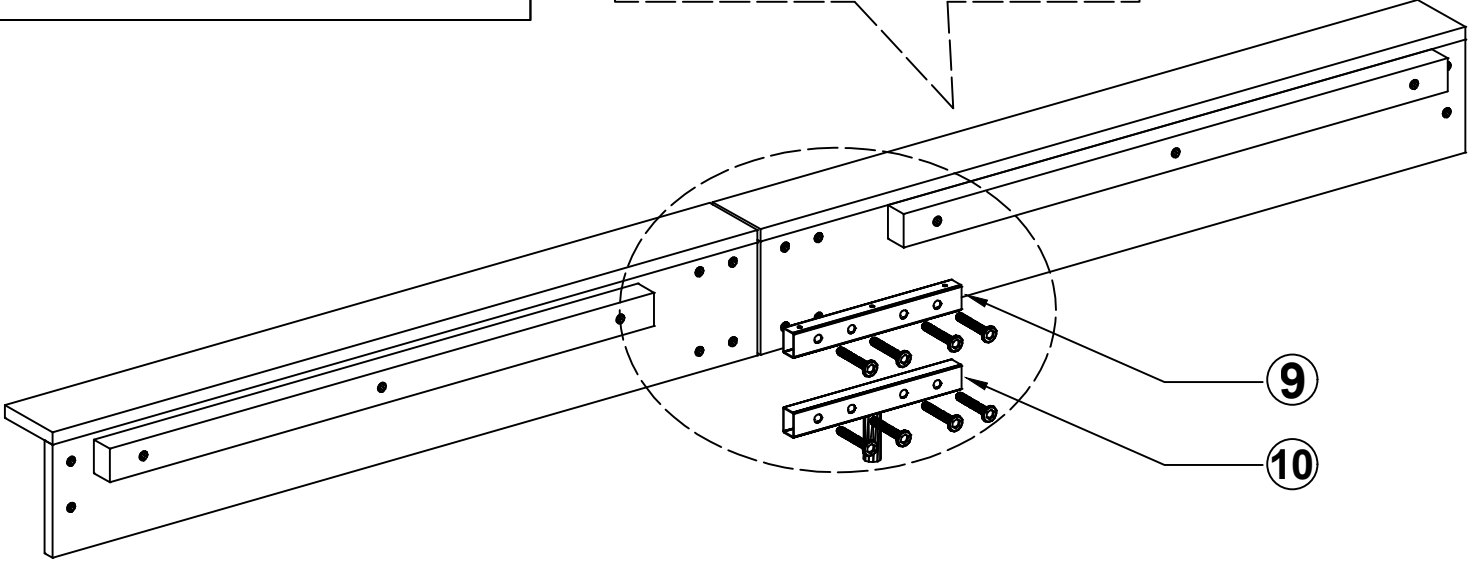


STEP 3

 A	M8x35 -16 pcs
	M5 Allen Key



TIPS
 After connecting ⑥/⑦,
 the full rail can be
 applied in left or right
 side of bed frame.



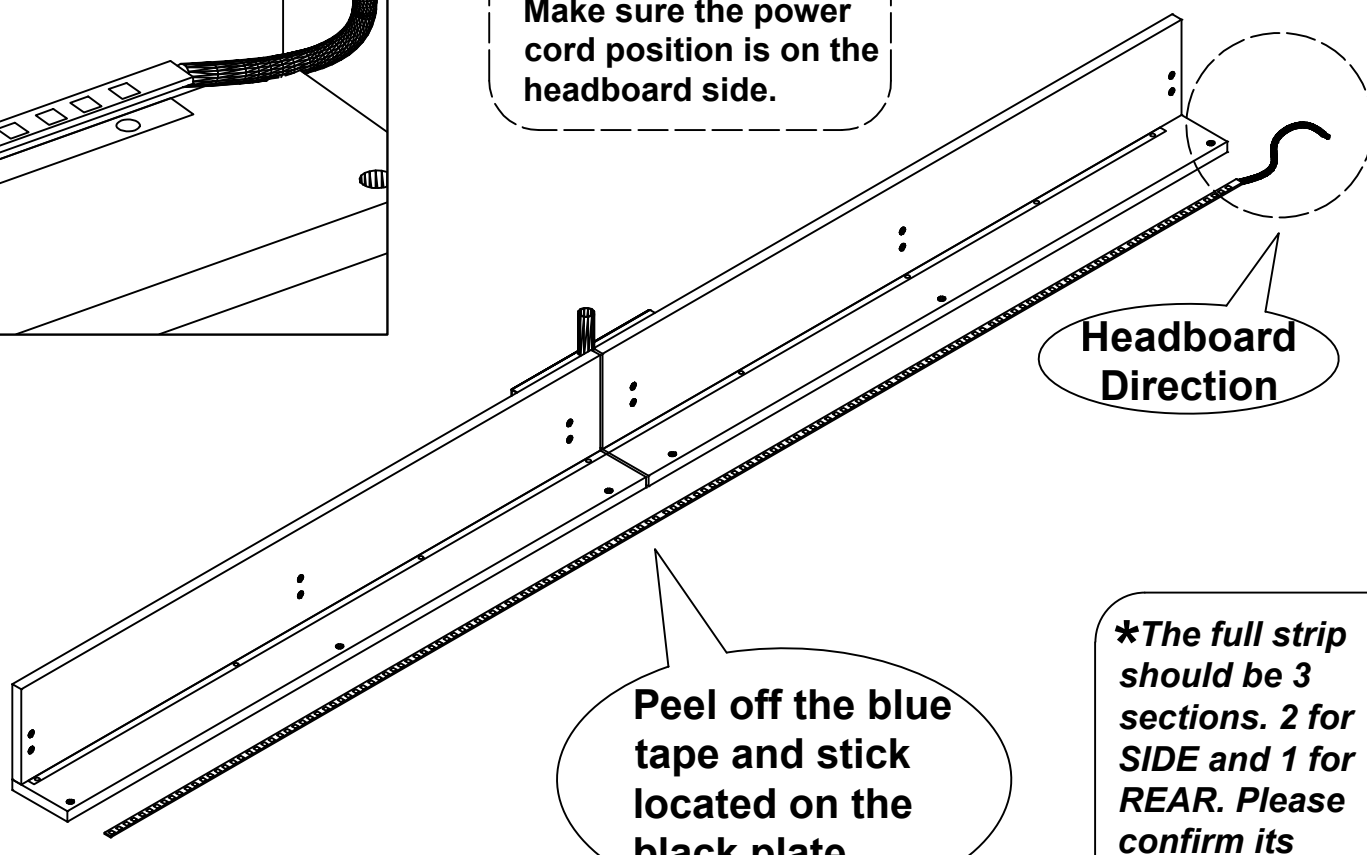
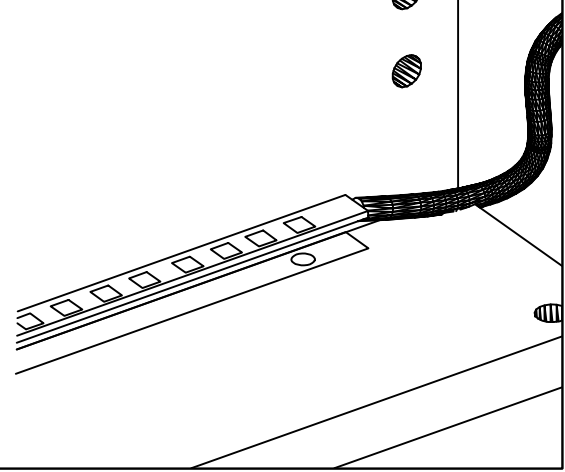
STEP 4



LED STRIP

TIPS

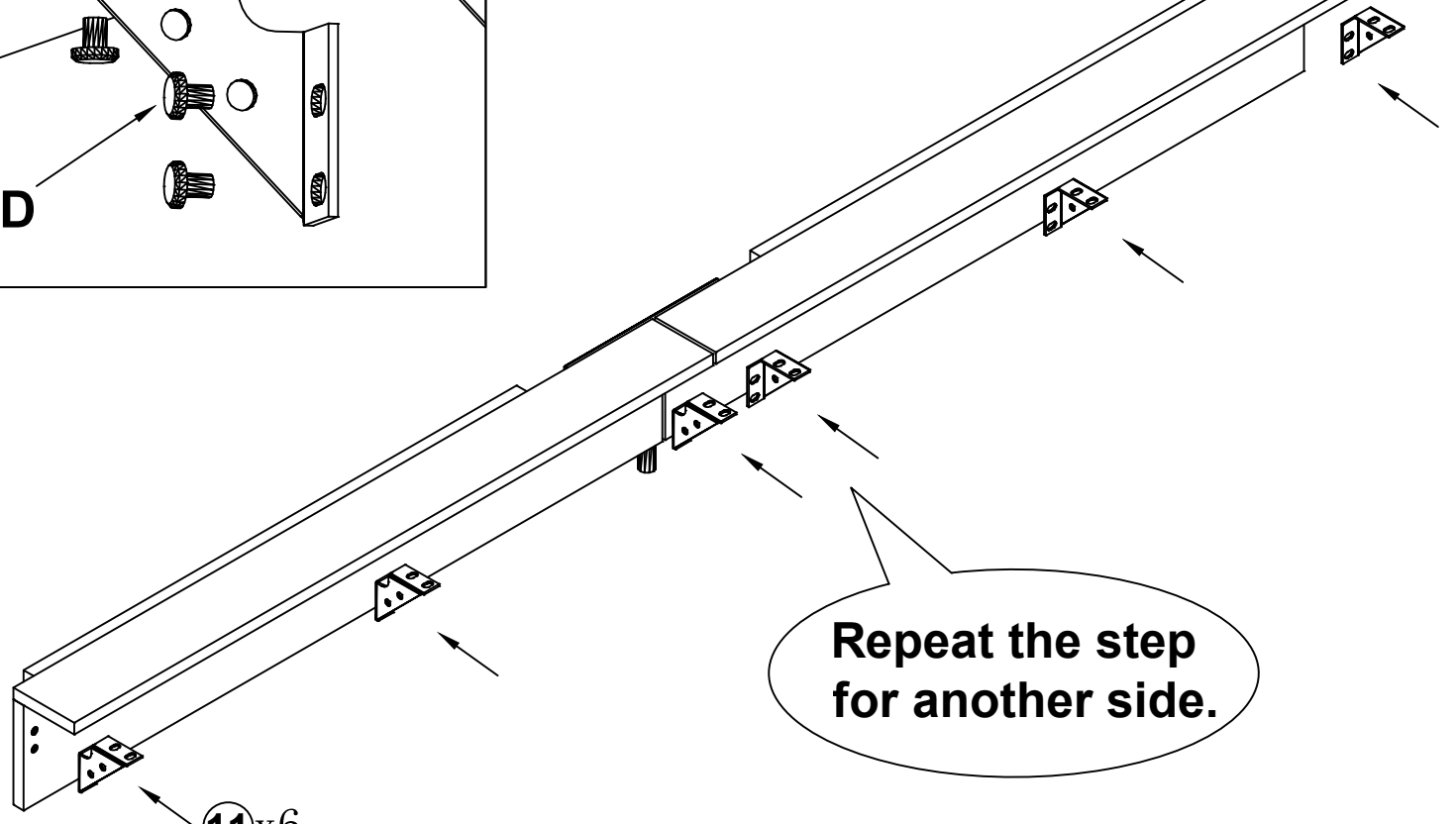
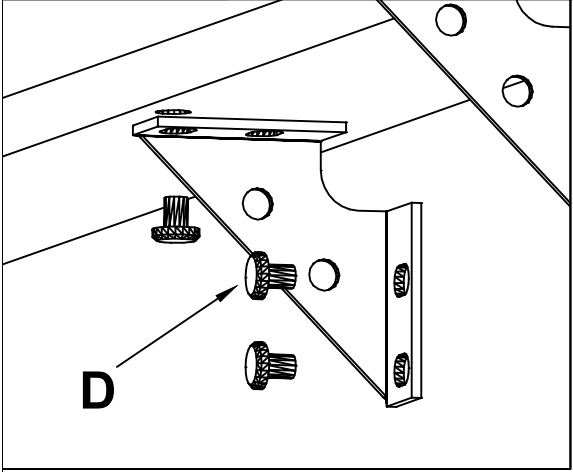
Make sure the power cord position is on the headboard side.



**The full strip should be 3 sections. 2 for SIDE and 1 for REAR. Please confirm its length before apply sticking.*

STEP 5

- D M6x16 -36 pcs
- M4 Allen Key



Repeat the step for another side.

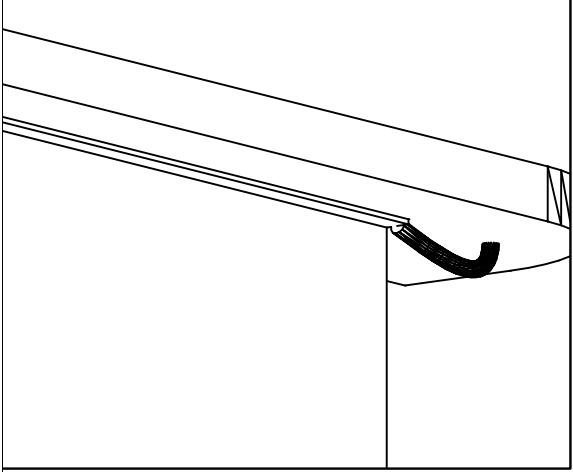
11x6

STEP 6

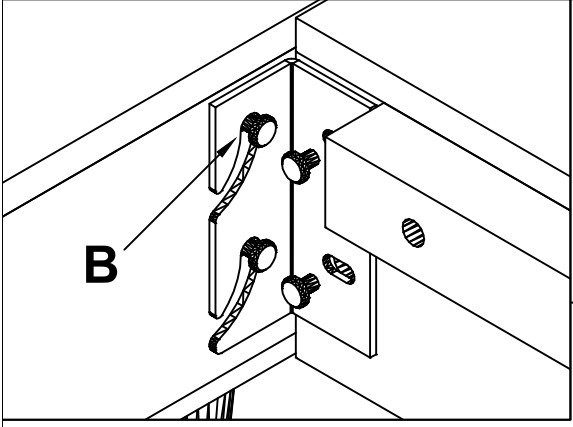
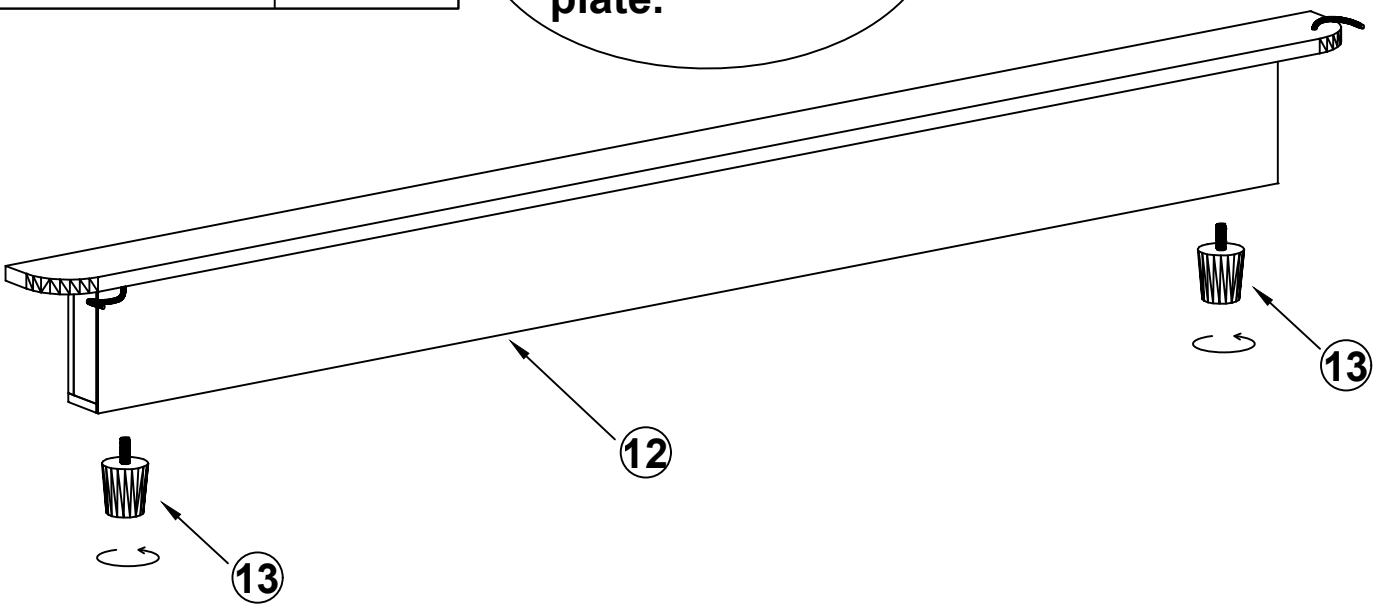


LED STRIP

STEP 7



Stick the LED Strip on the rear located the black plate.

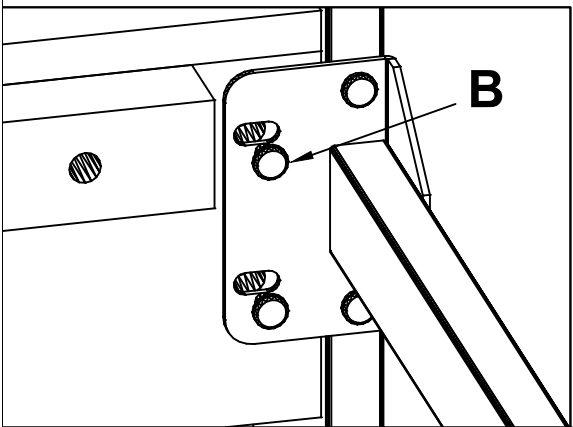
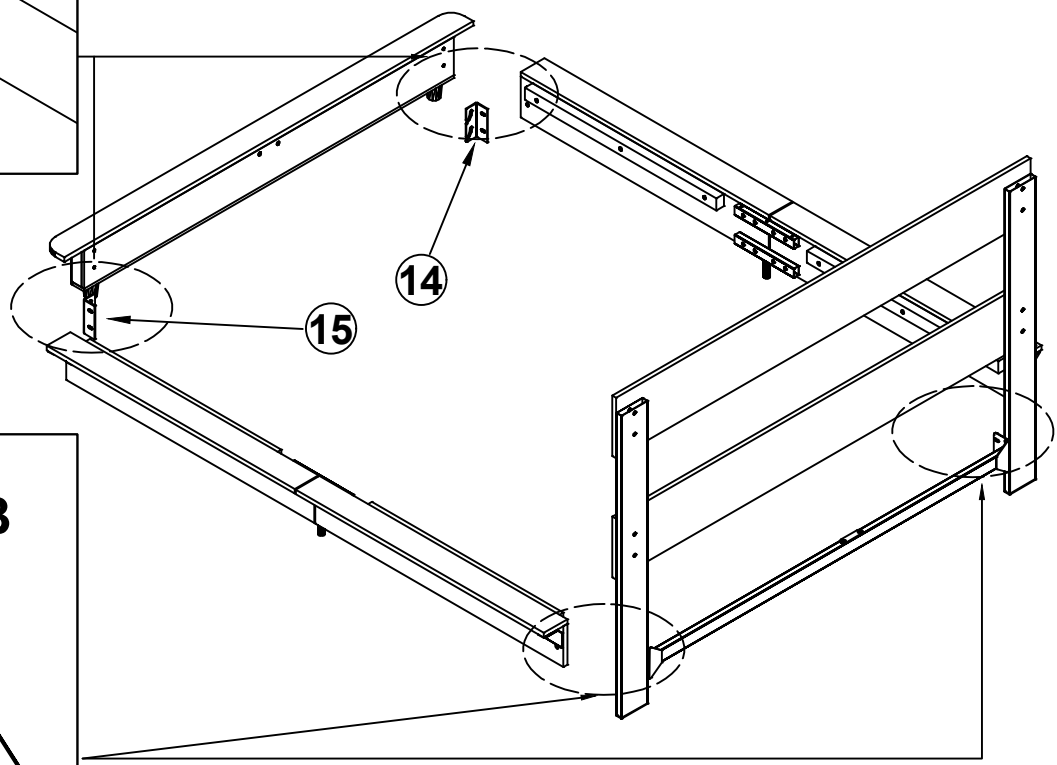


M8x16 -12 pcs



M5 Allen Key

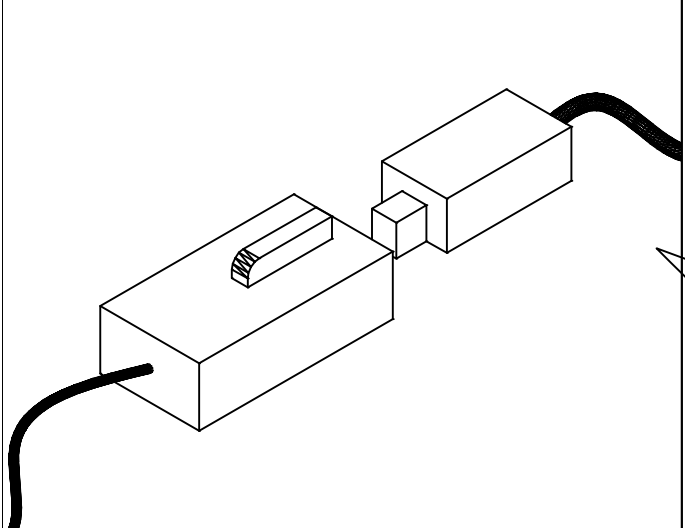
STEP 8



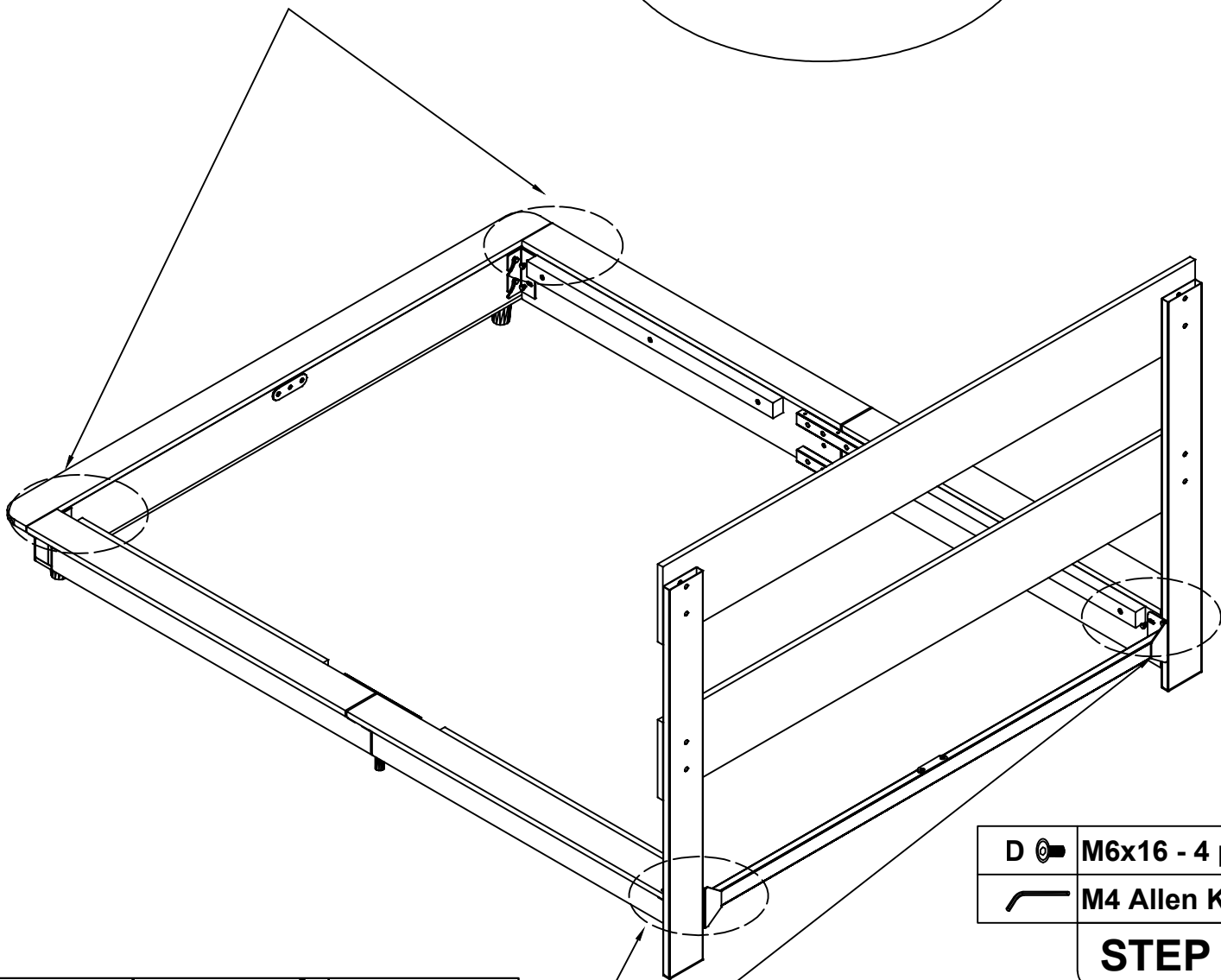



LED STRIP

STEP 9



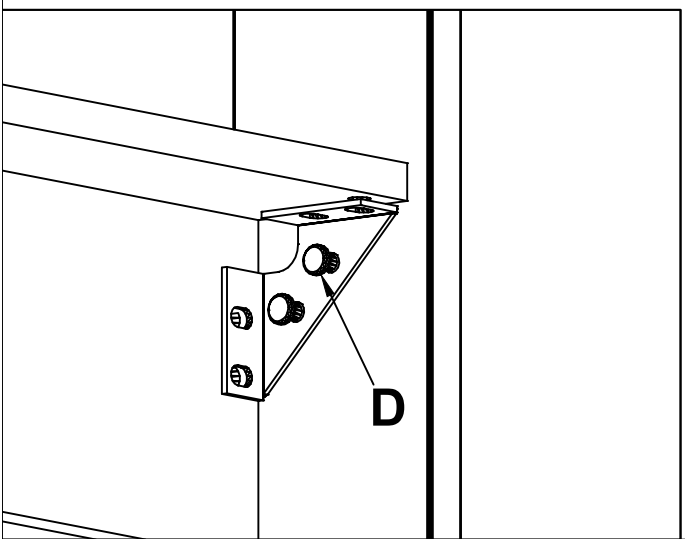
Plug in the led on both side of rear board.






D  M6x16 - 4 pcs

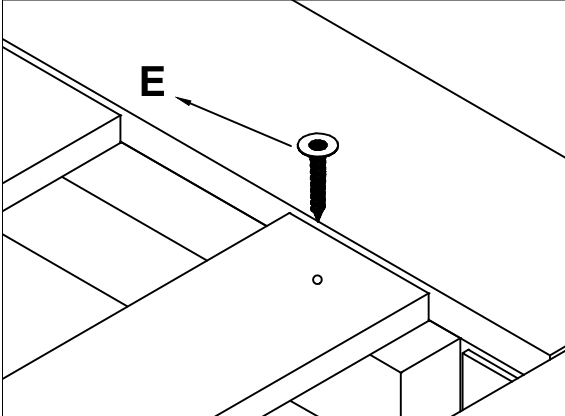
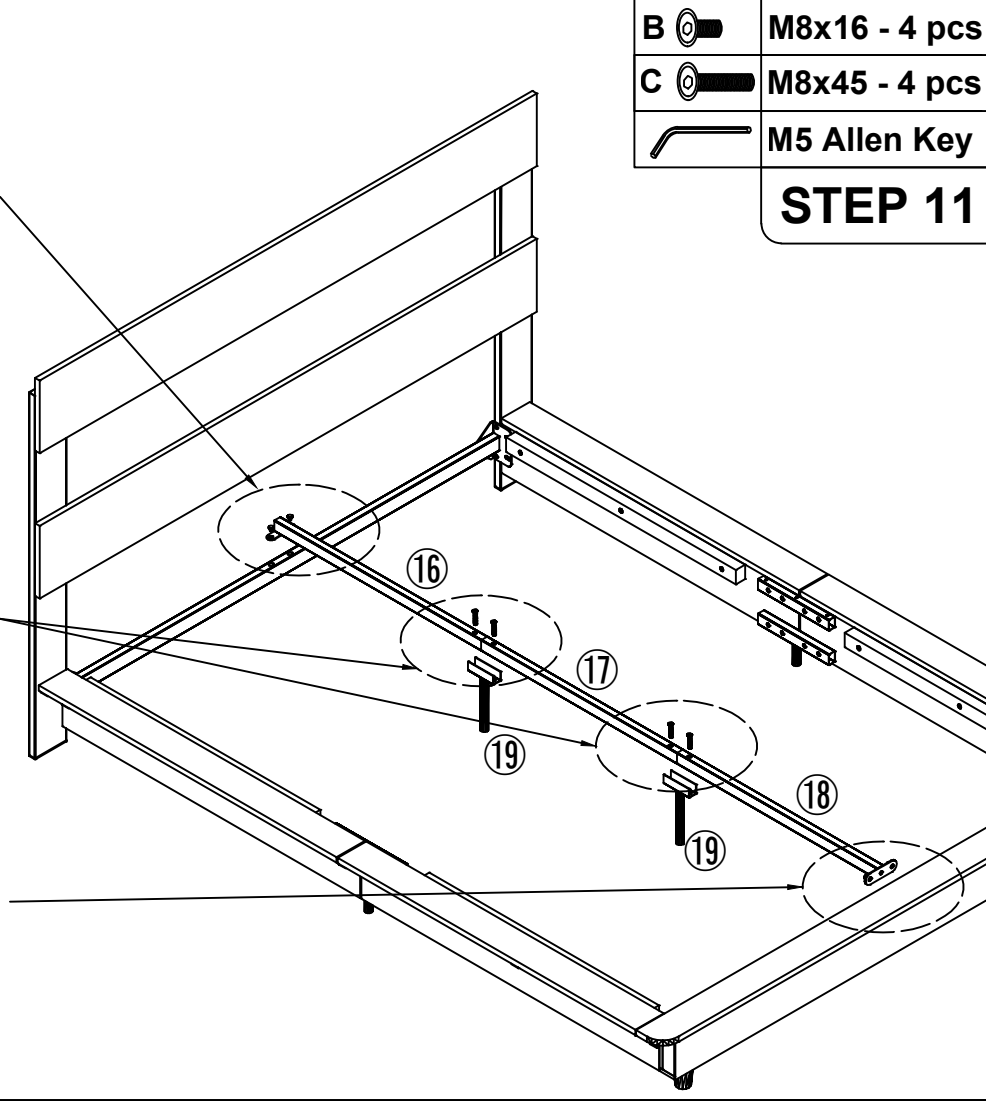
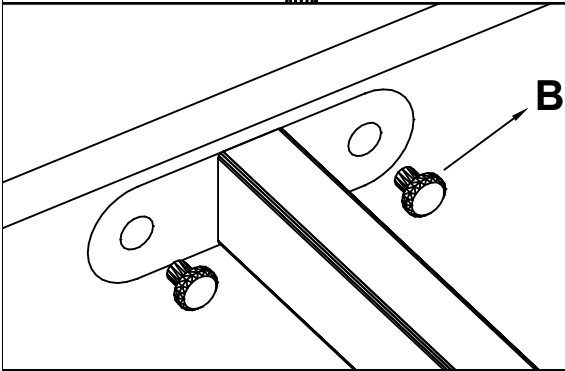
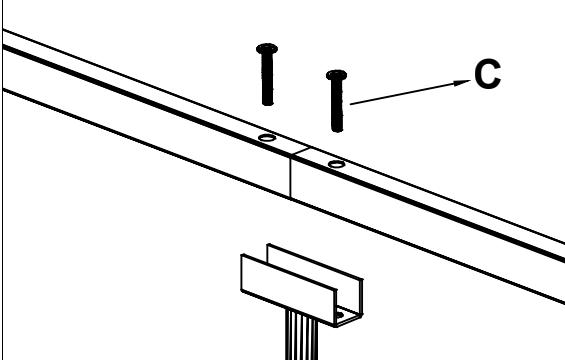
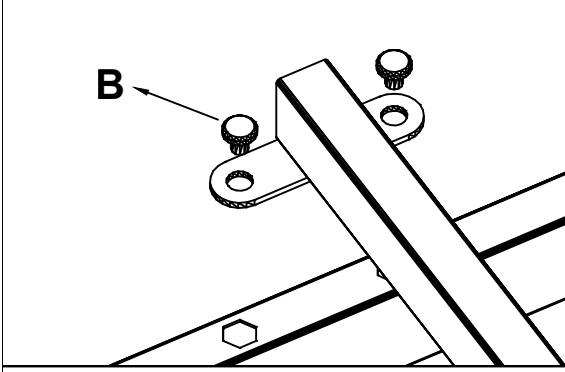
 M4 Allen Key


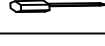
STEP 10



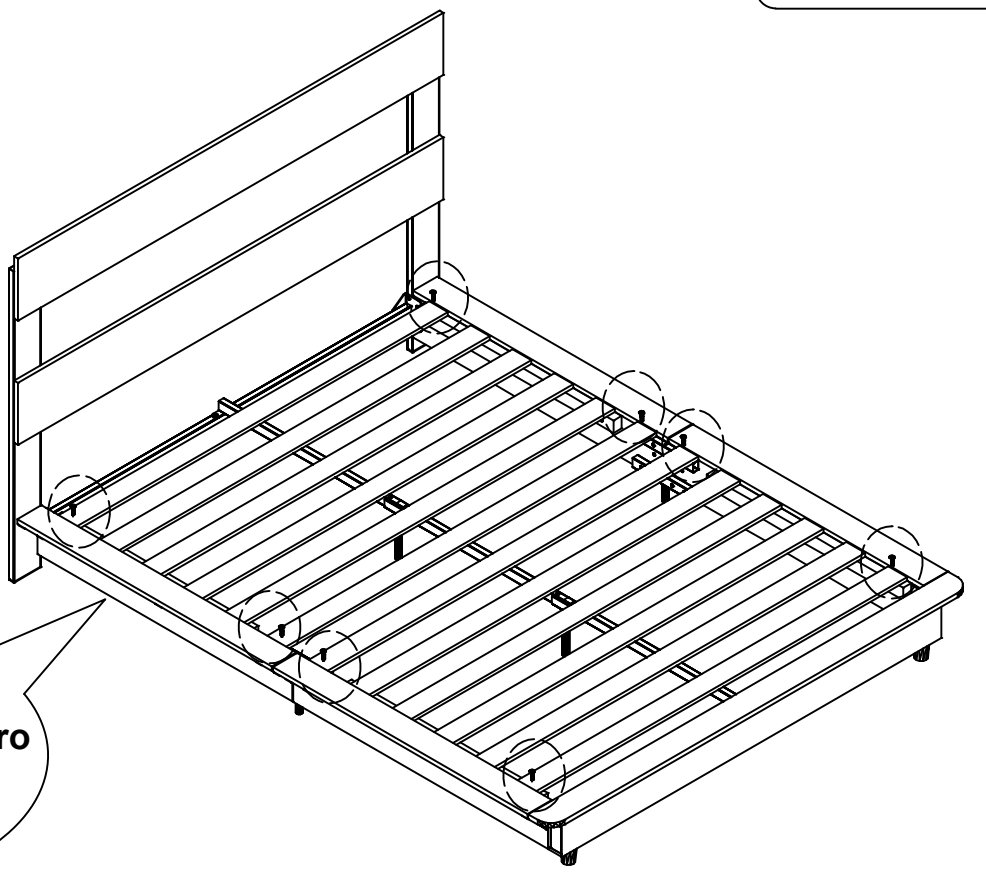
- B**  M8x16 - 4 pcs
- C**  M8x45 - 4 pcs
-  M5 Allen Key

STEP 11



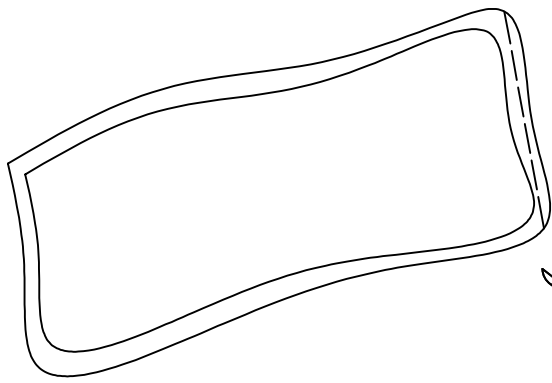
- E**  M4x25 - 8 pcs
-  Handdriver

STEP 12



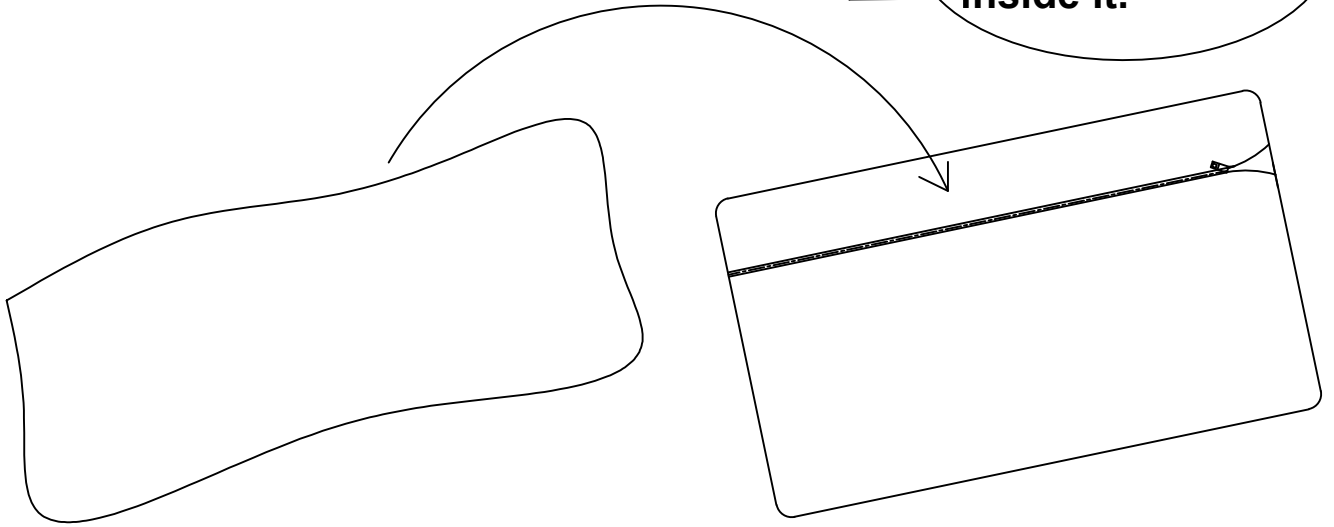
Put down the wood slats ⑳ on the velcro and align on the supporter.

STEP 13



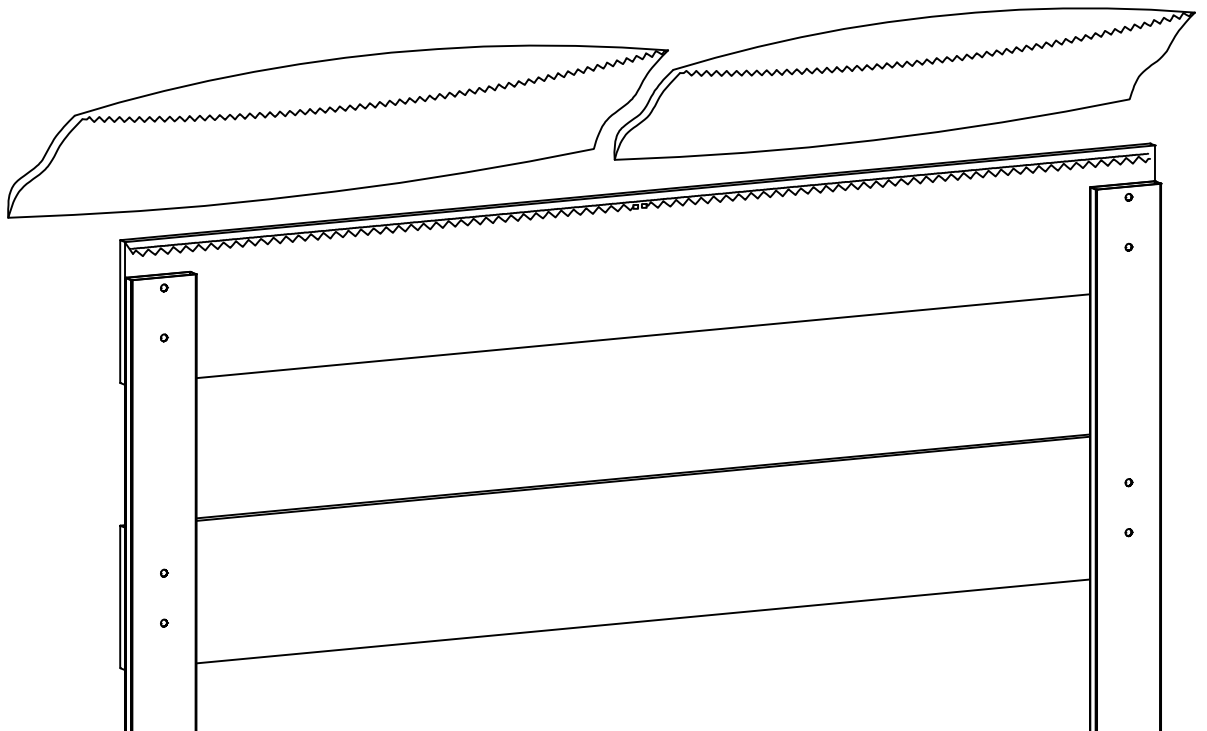
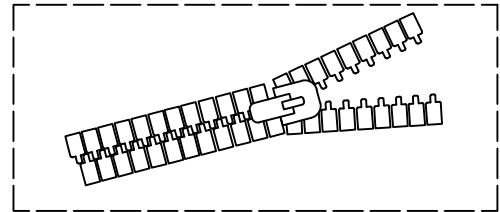
**Open the
compression
bag**

**Unzip the cover
and put the pillow
inside it.**

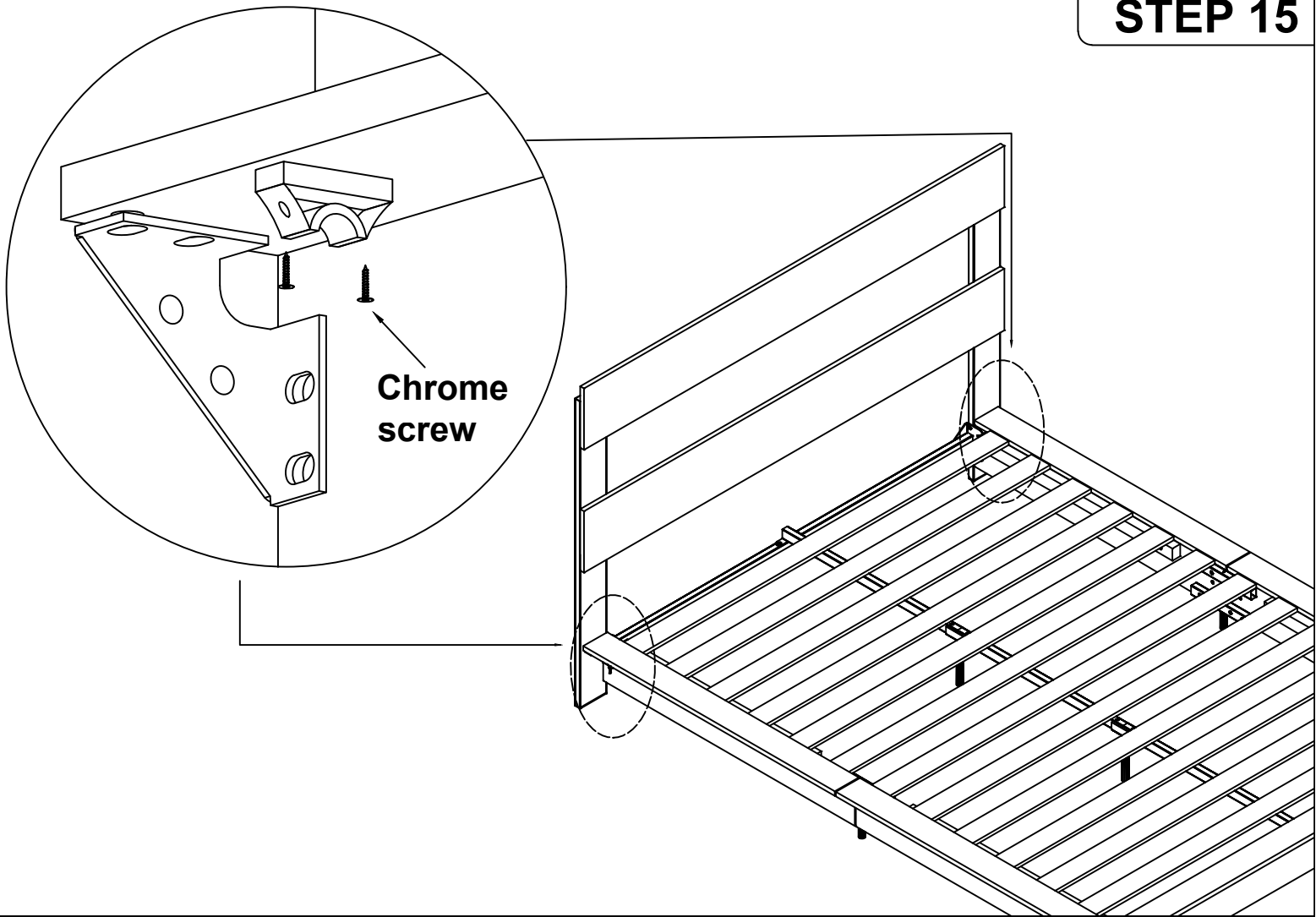


STEP 14

**Apply the pillow by
zipping on the headboard
with zipper.**



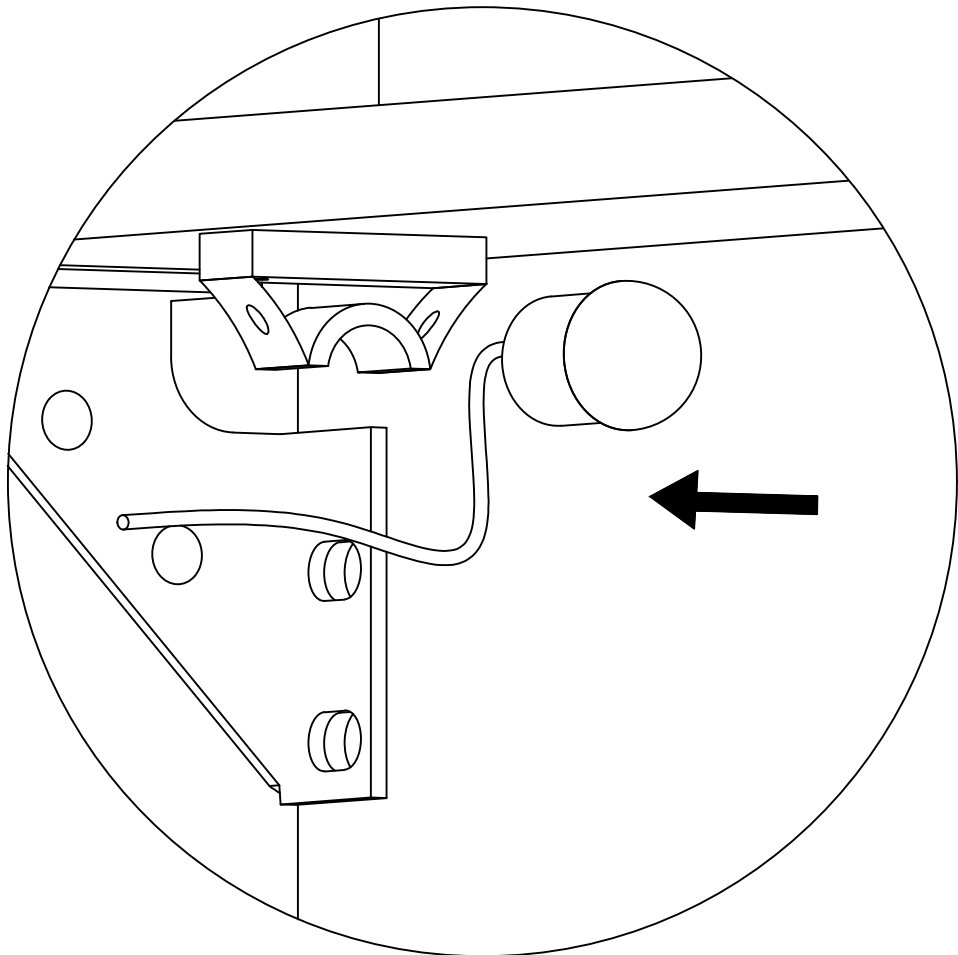
STEP 15



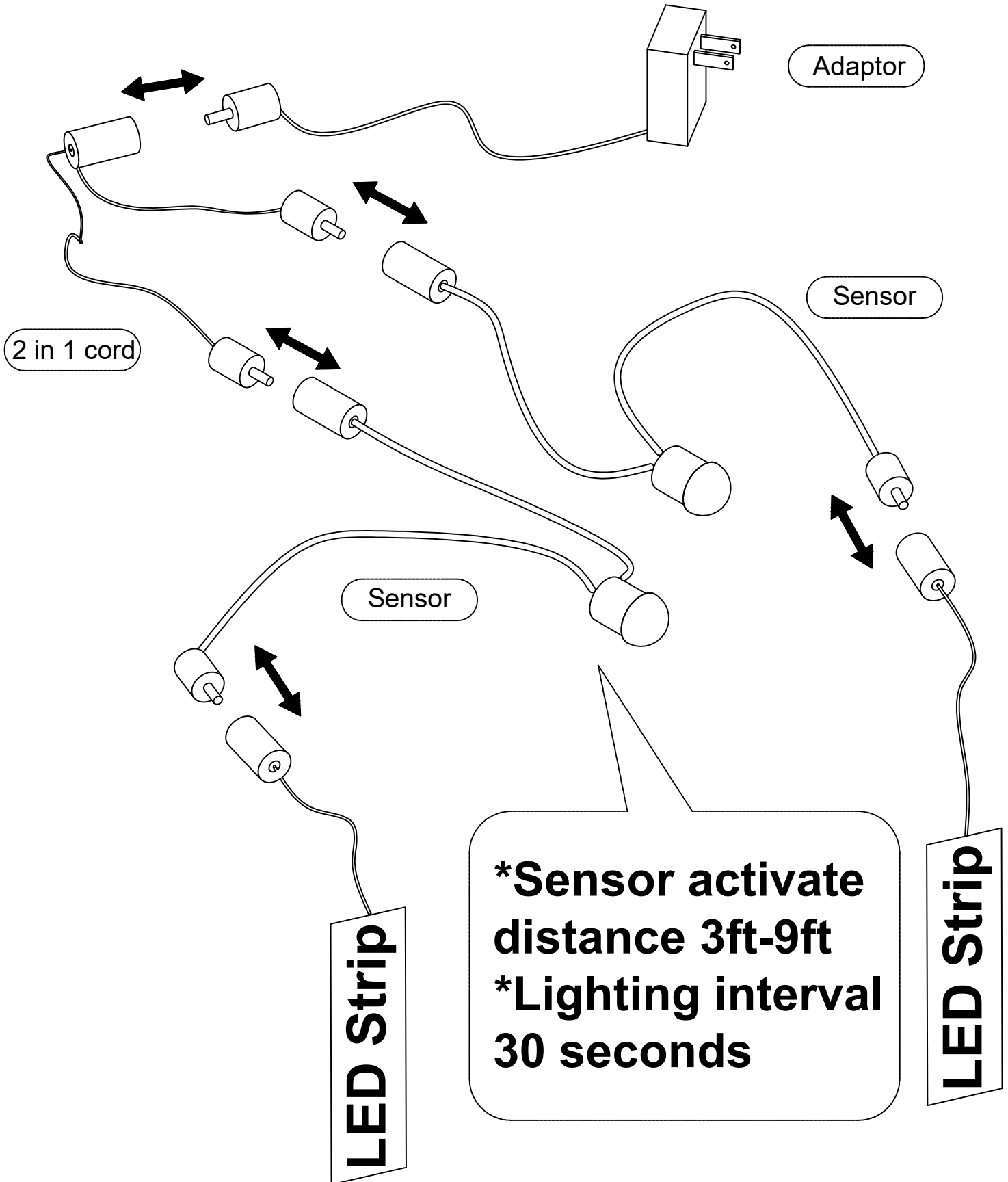
**Chrome
screw**

STEP 16

**Insert the
sensors to
the holders
on both side.**



How to connect the motion sensor LED



**Congratulations.
It is finished.**

