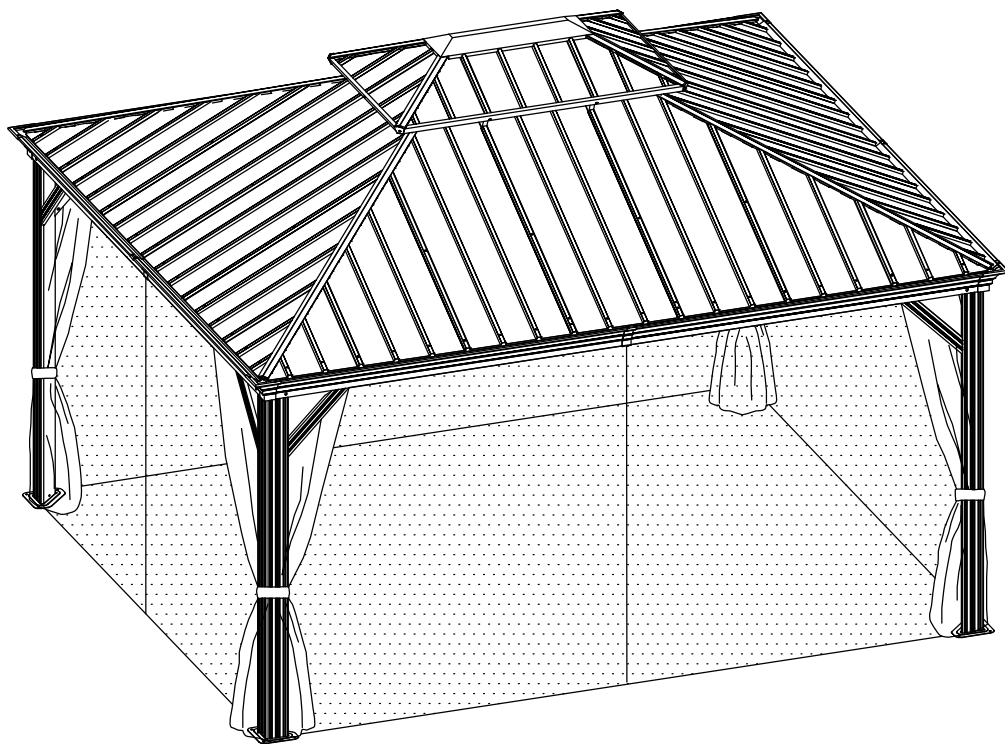


12 x 14FT

|| || || || || || || || **XWG-215MS-2** || || || || || || || ||





A 4x



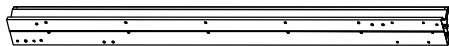
B1 2x



B2 2x



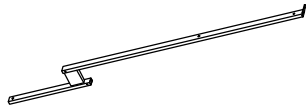
B3 2x



B4 2x



E 4x



E1 6x



C1 2x



C2 2x



C3 2x



C4 2x



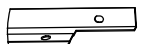
D 2x



D1 2x



D2 2x



D3 2x



D4 2x



F1 8x



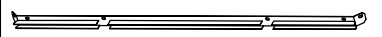
F2 2x



E5 4x



I1 2x



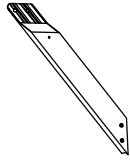
I2 2x



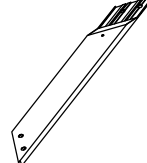
G1 2x



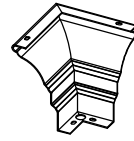
G2 2x



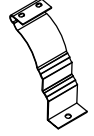
H 4x



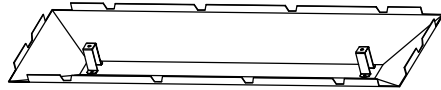
H1 4x



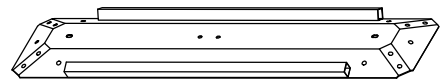
K 4x



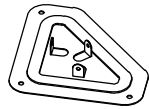
K1 4x



M2 1x



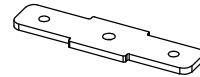
L2 1x



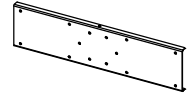
J 4x



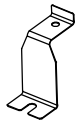
W 4x



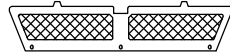
W1 6x



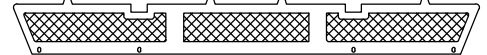
P 4x



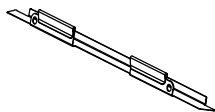
V 4x



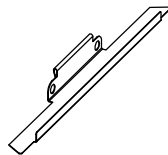
V1 2x



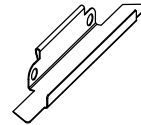
V2 2x



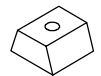
Z 64x



Z1 8x



Z2 8x



Y 88x



U 120x



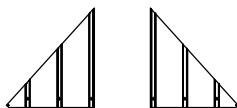
N 8x



W3 8x

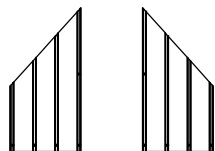


W4 8x



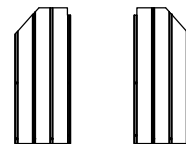
R1 4x

R2 4x



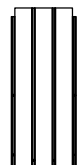
R3 4x

R4 4x

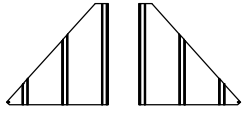


R5 4x

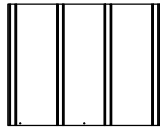
R6 4x



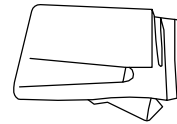
R7 2x



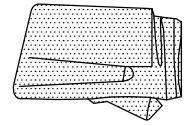
S1 4x S2 4x



S3 2x



T 4x



T1 4x



M6x15

1 264x



M6x23

2 68x



M6x25

3 6x



ST 4.8x12

4 24x



5 2x



M6x42

6 6x



M6x47

7 8x



8 16x

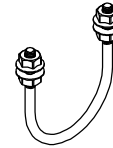


M6x10

9 8x



10 12x



11 1x



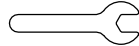
4mm

12 2x



6mm

13 1x



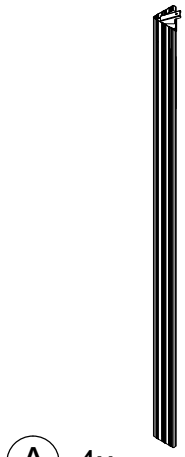
14 1x



M5x15

15 40x

<1>

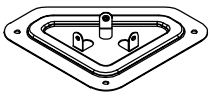


A 4x



M6x15

1 12x



J 4x



W3 8x

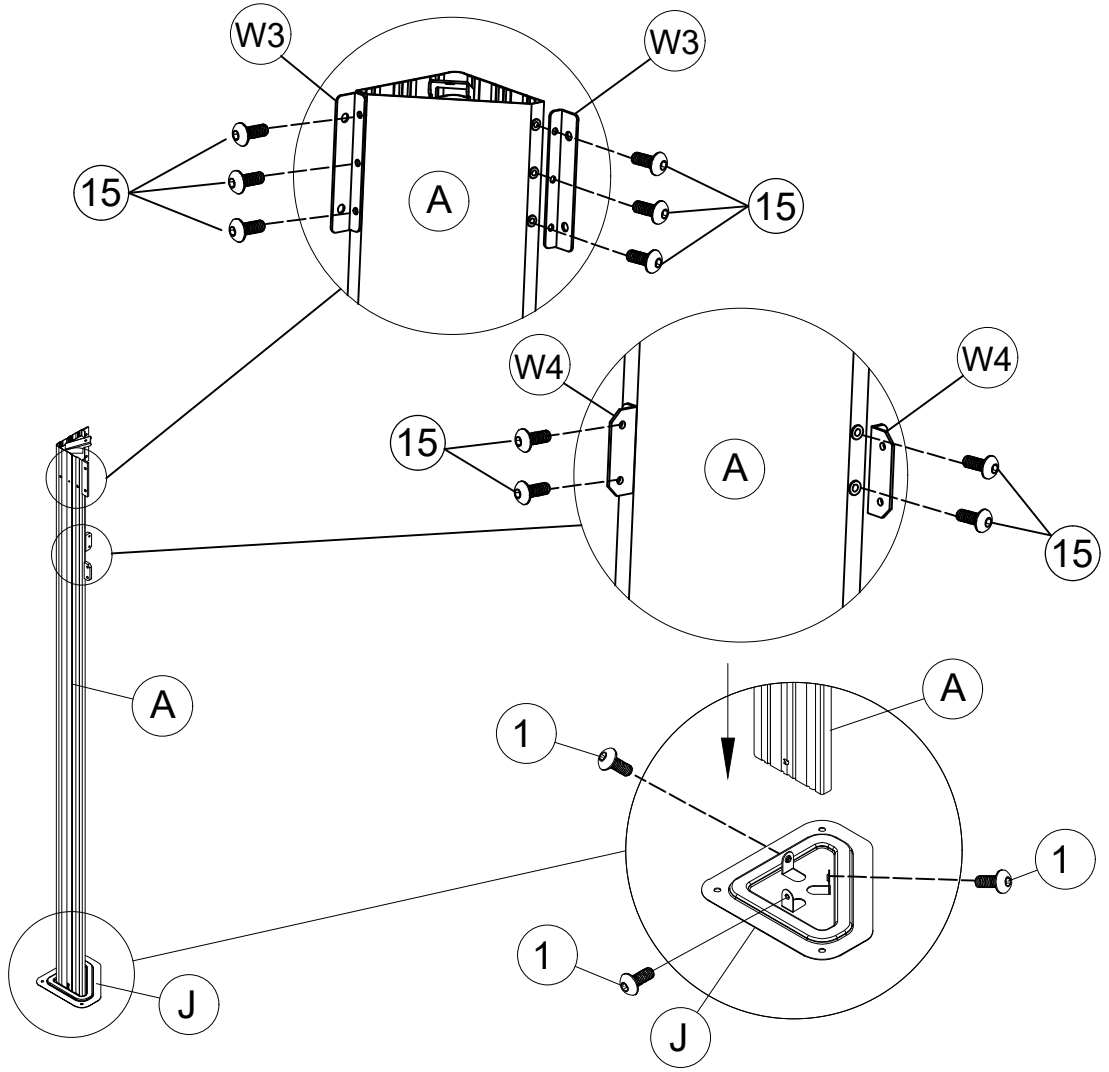


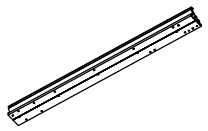
W4 8x



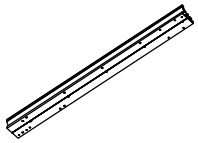
M5x15

15 40x





B1 2x



B2 2x



C1 2x



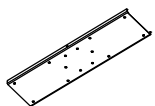
C2 2x



D1 2x



D2 2x



P 2x

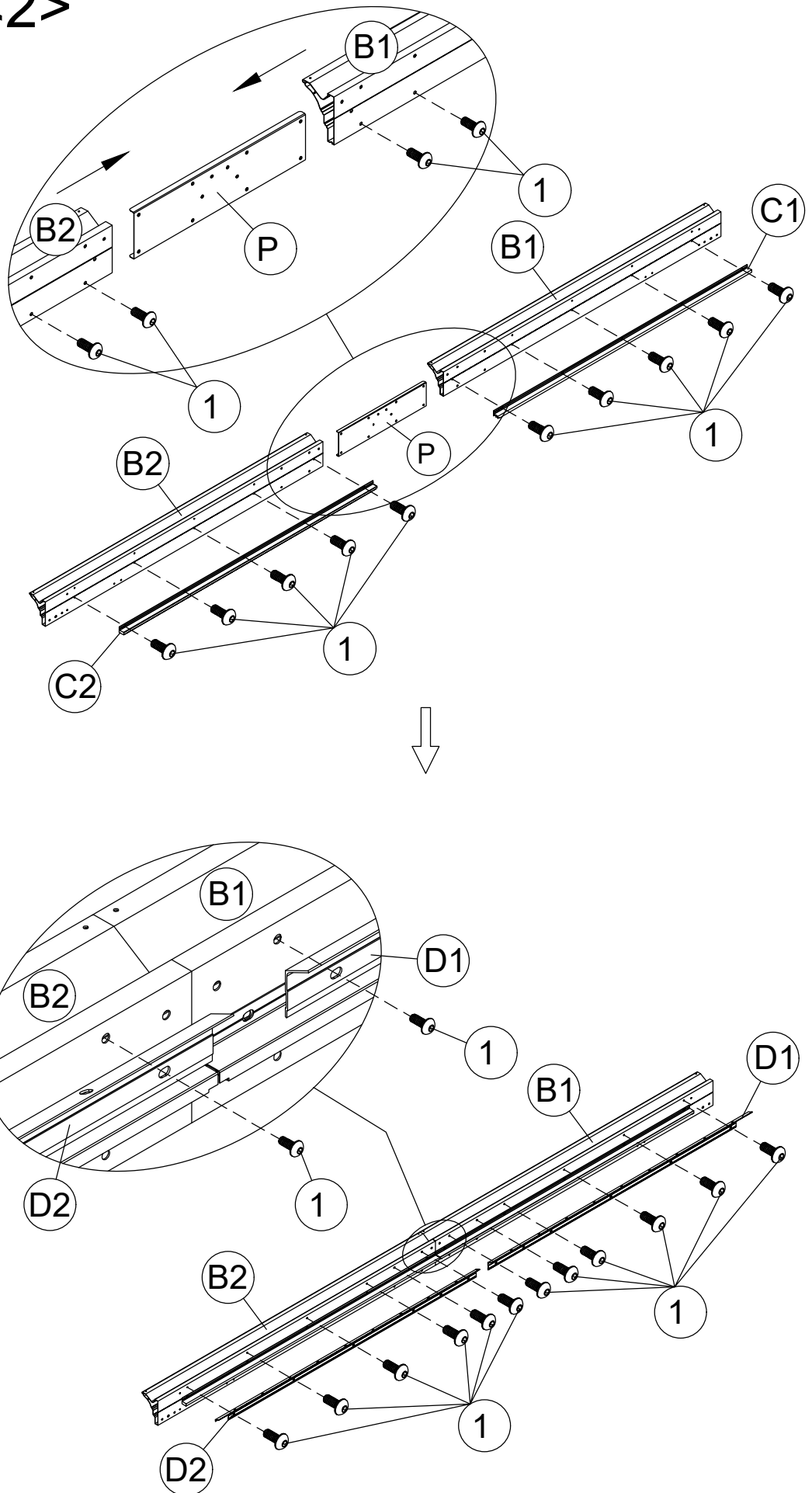


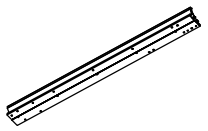
M6x15

1 52x

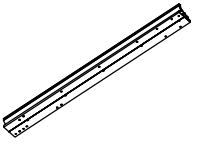
6

<2>





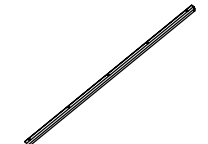
B3 2x



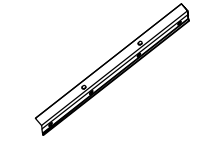
B4 2x



C3 2x



C4 2x



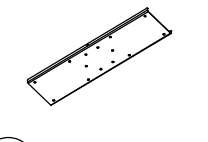
D 2x



D3 2x



D4 2x



P 2x

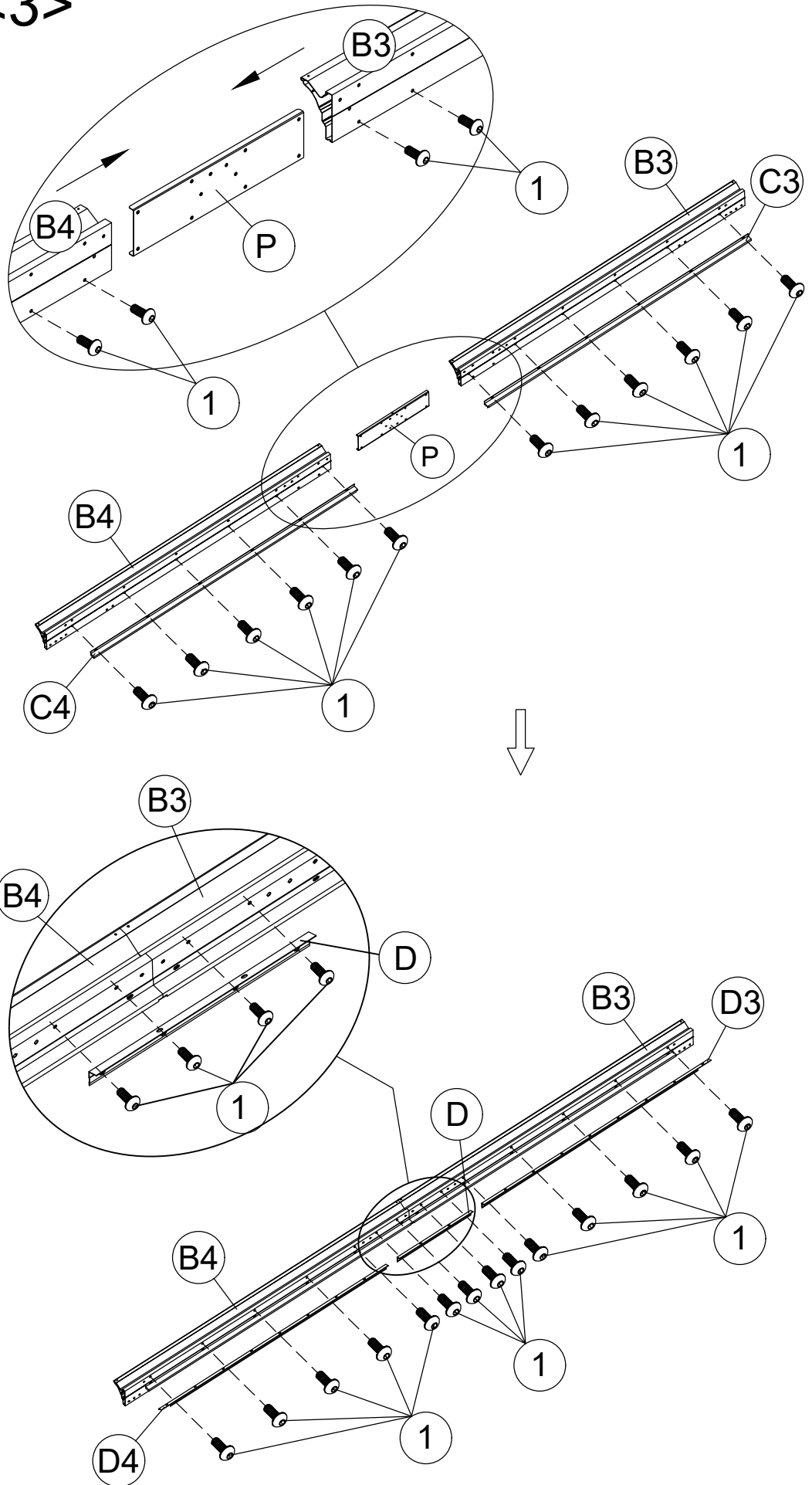


M6x15

1 60x

7

<3>





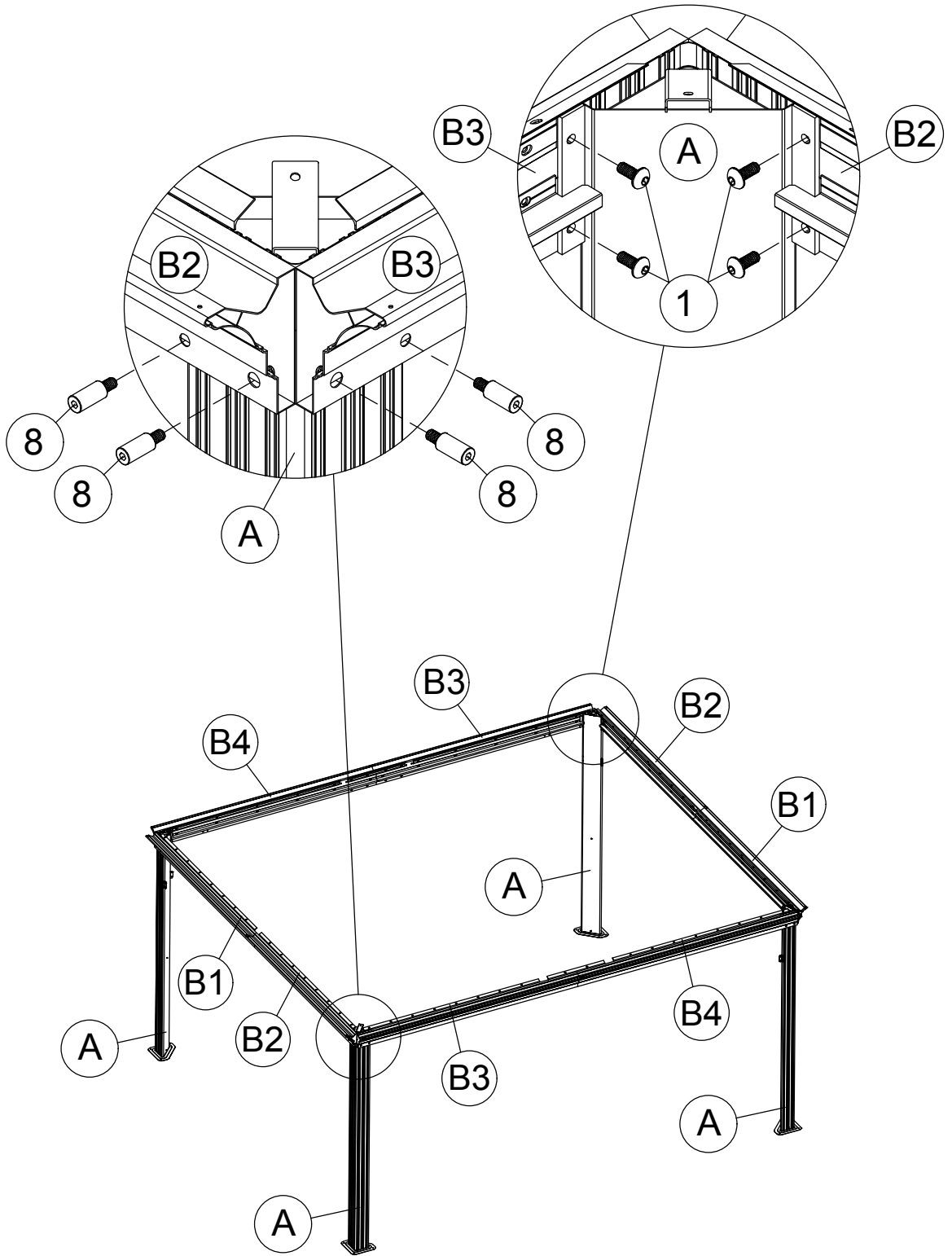
M6x15

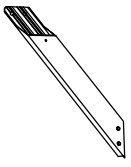
1 16x



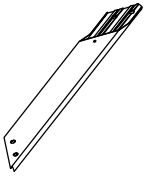
8 16x

<4>





(H) 4x



(H1) 4x



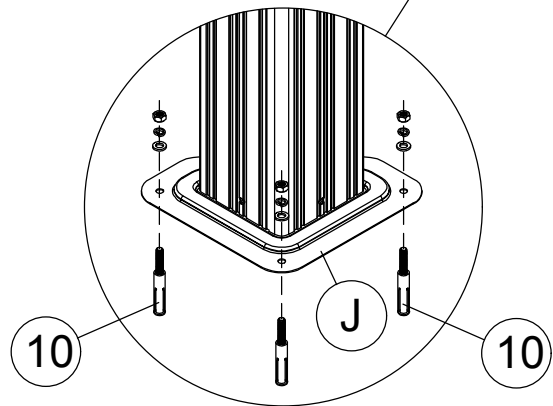
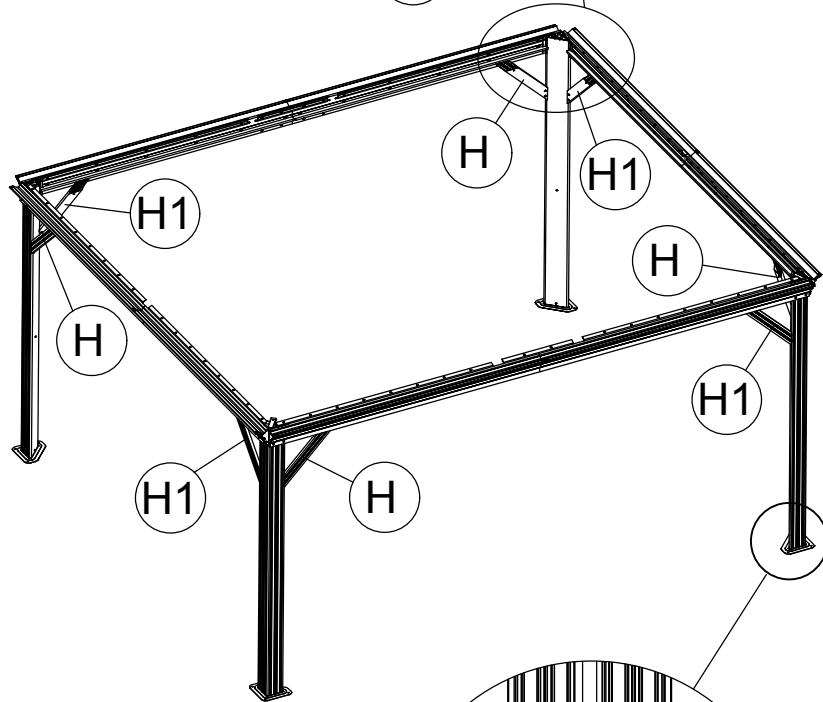
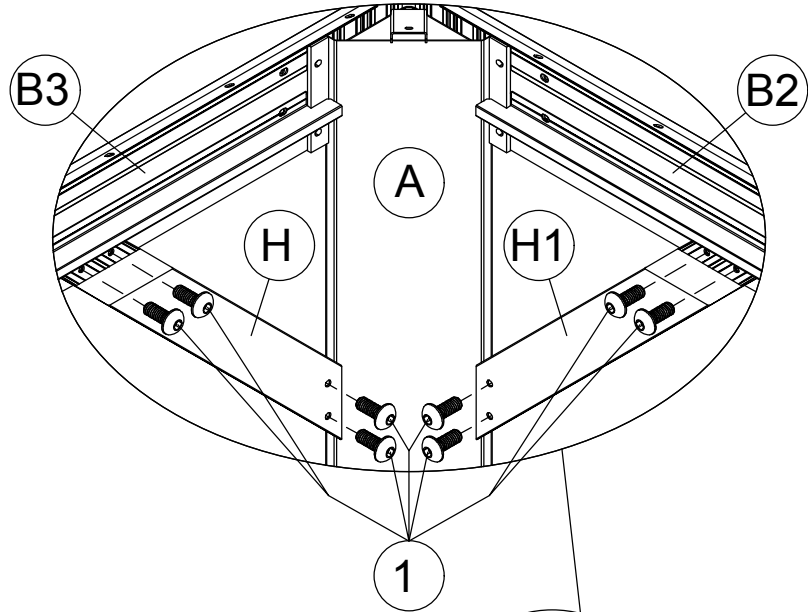
M6x15

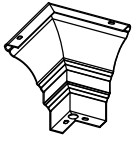
(1) 32x



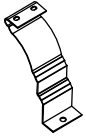
(10) 12x

<5>





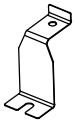
K 4x



K1 4x



U 120x



V 4x



M6x15

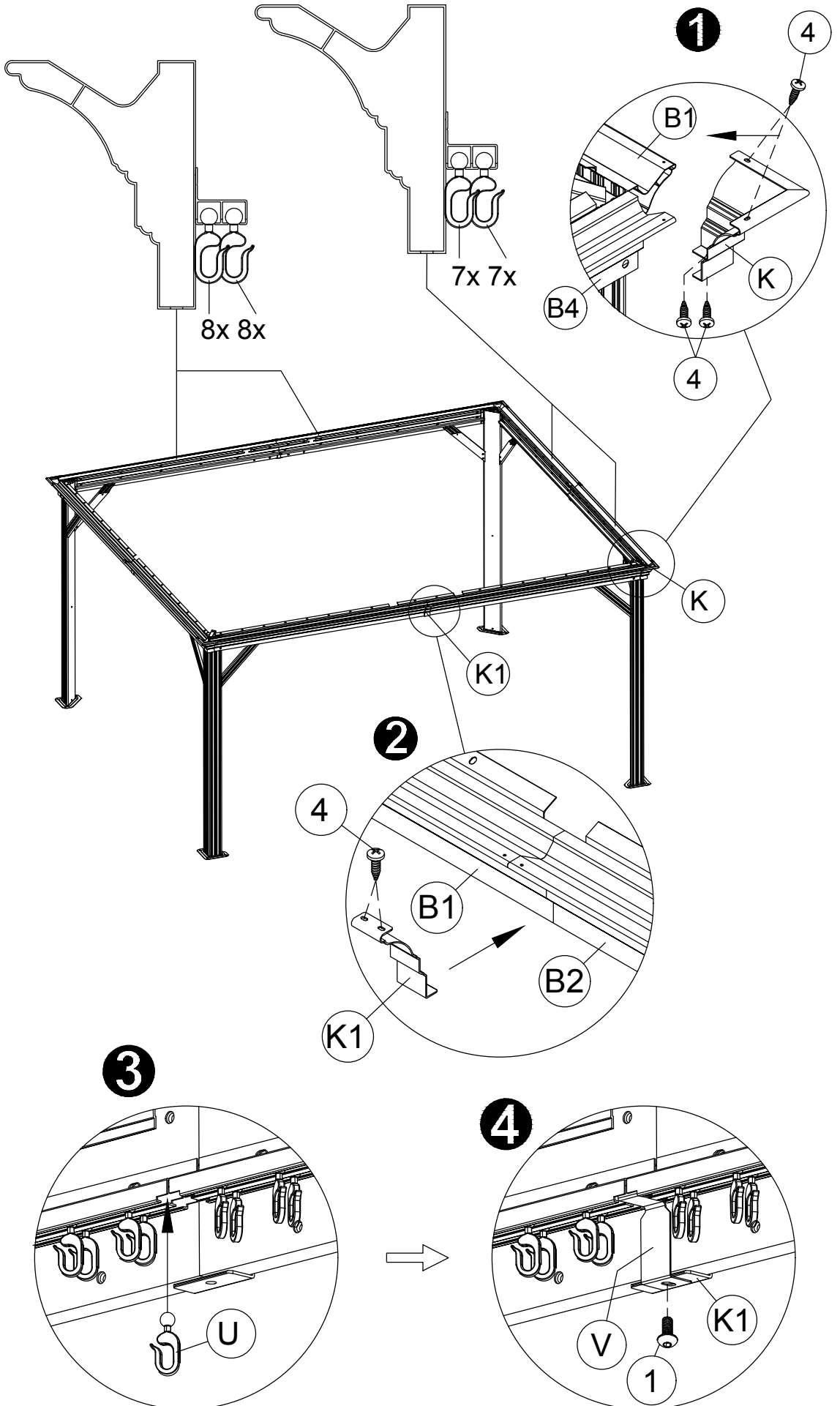
1 4x

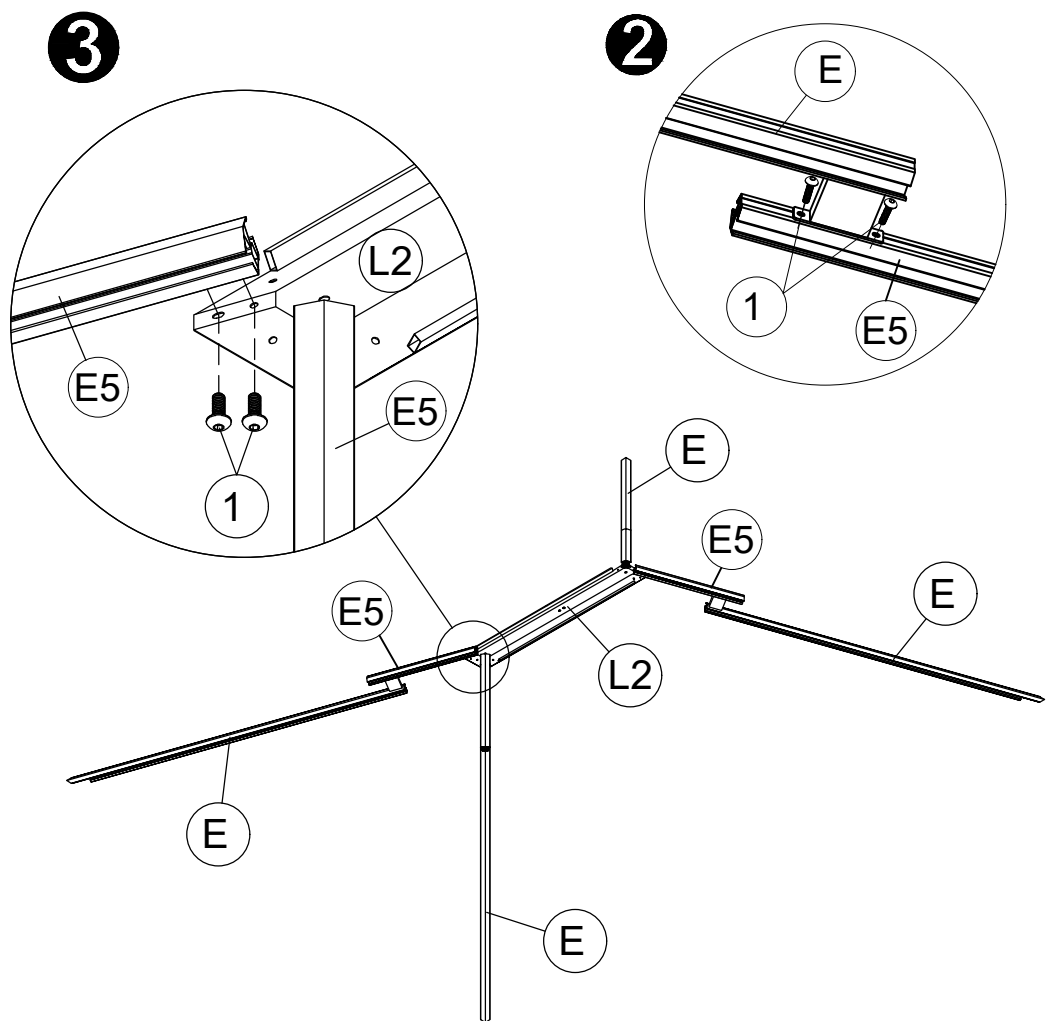
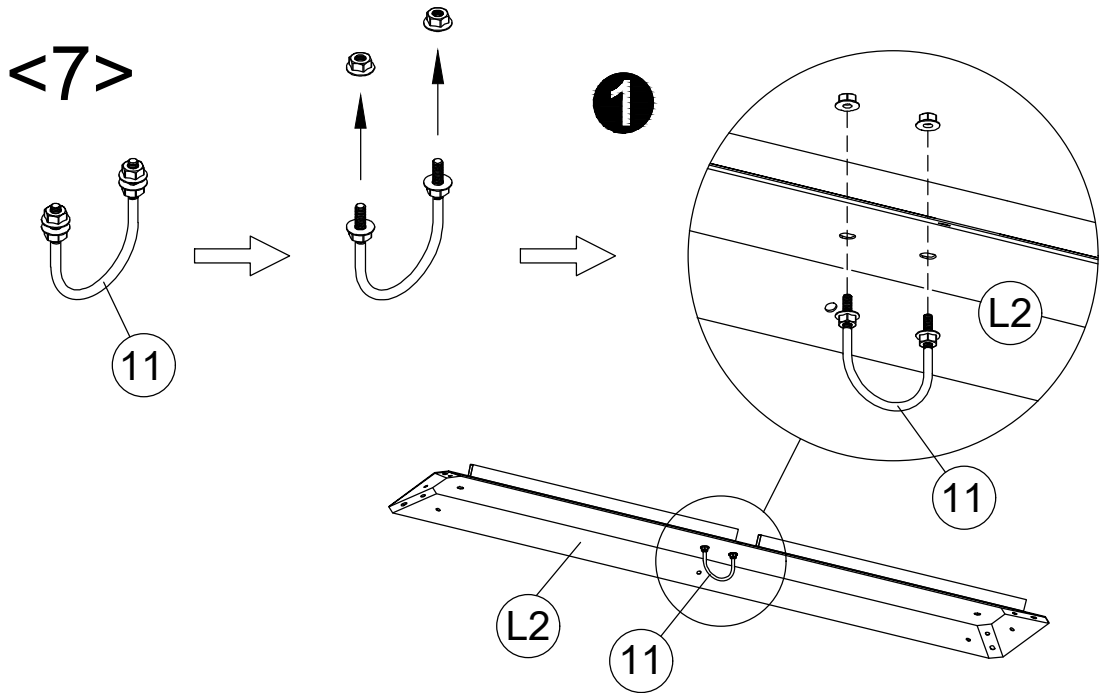
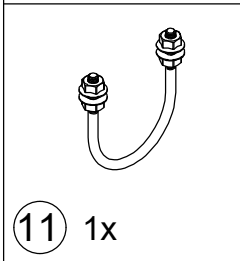
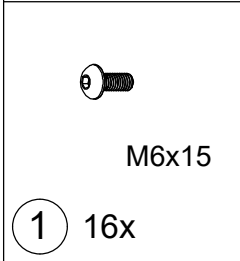
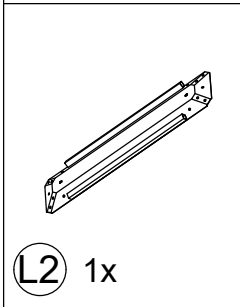
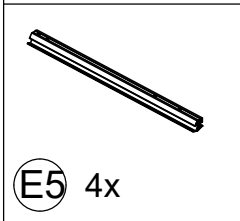
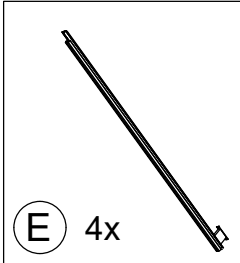


ST 4.8x12

4 24x

<6>



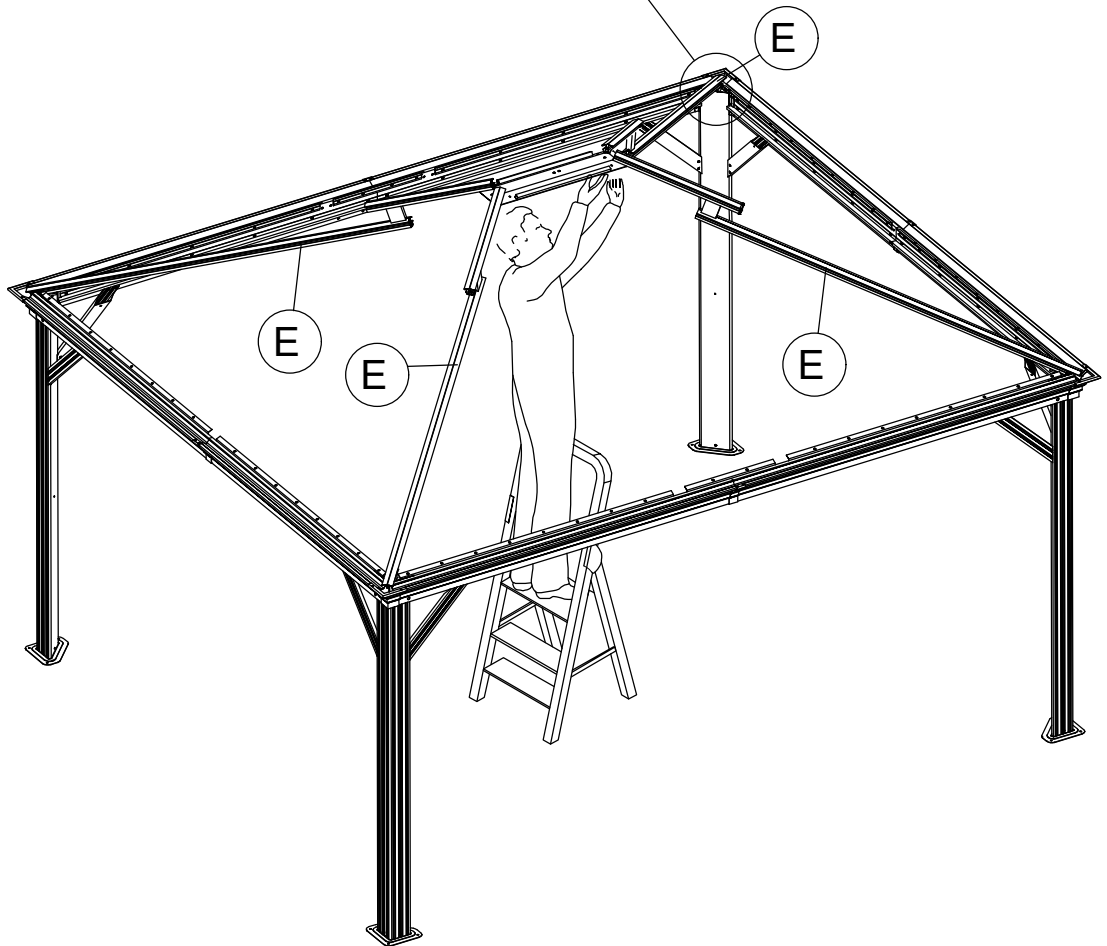
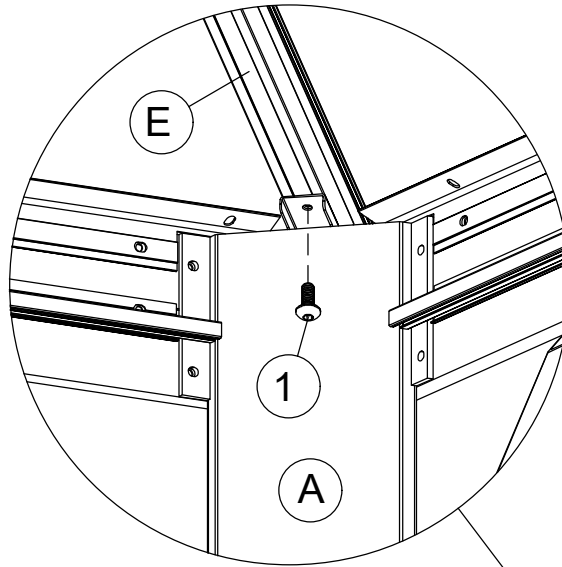




M6x15

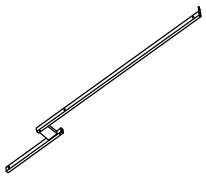
1 4x

<8>



Note:

1. Let one person stand on the ladder to lift "L2" and hold and let others fasten the screws connecting both ends of "E".
2. Please do not let go of holding "L2" until all the "E" screws are installed.



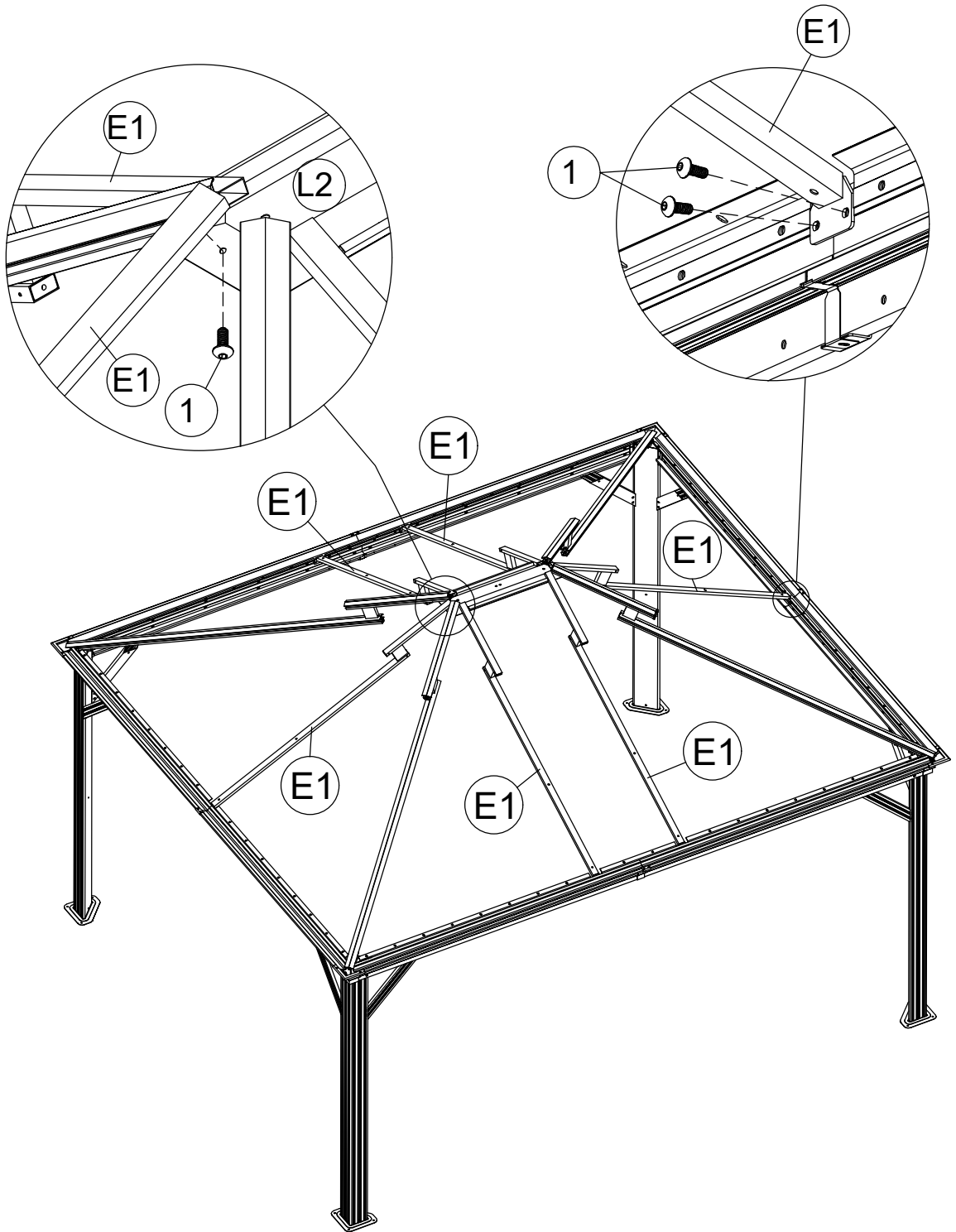
E1 6x

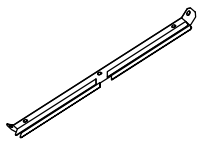


M6x15

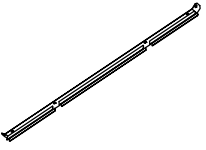
1 18x

<9>





I1 2x



I2 2x



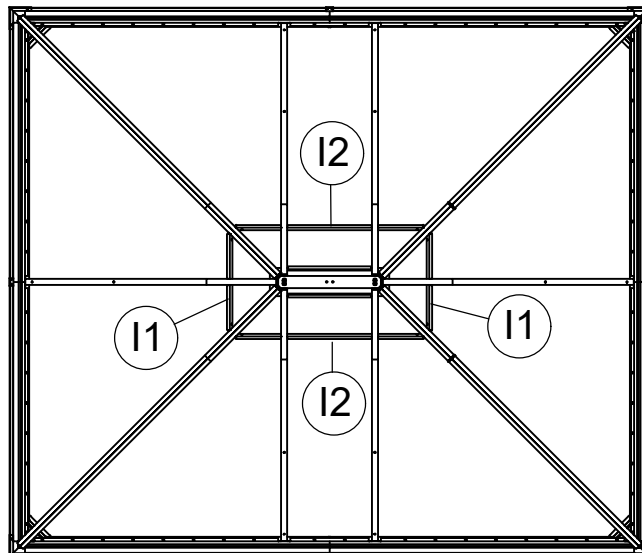
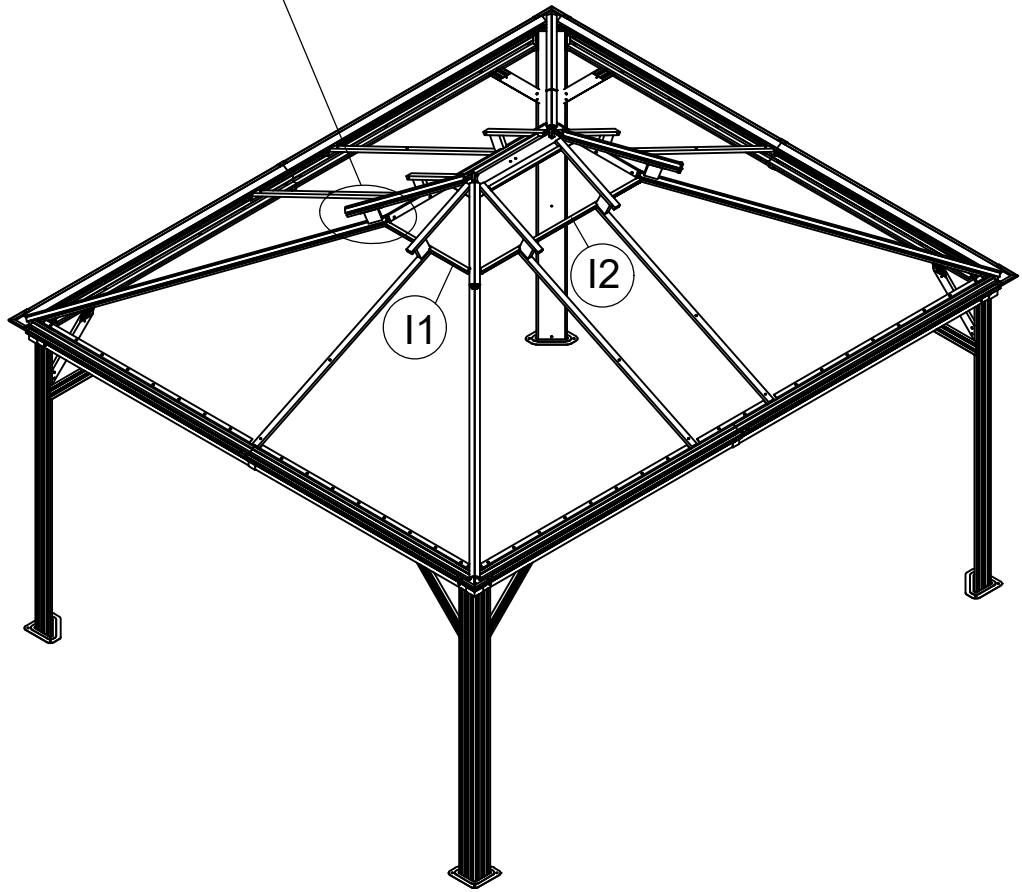
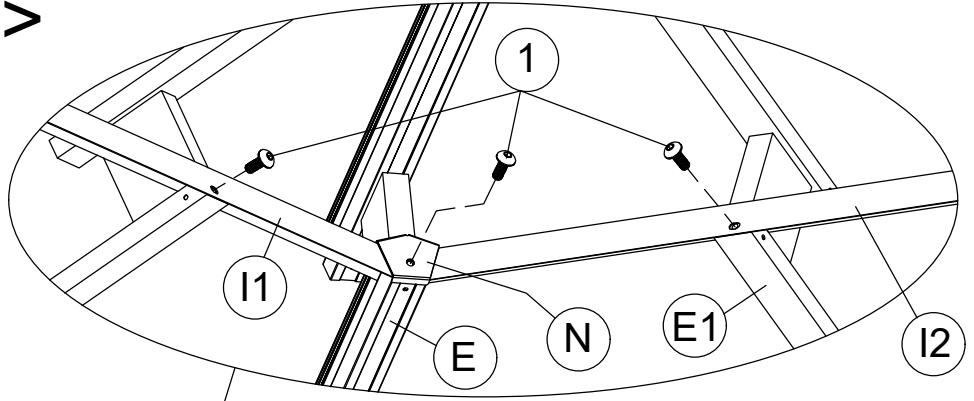
N 4x



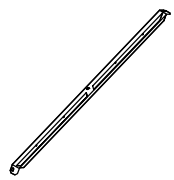
M6x15

1 10x

<10>



<11>



G1 2x



G2 2x

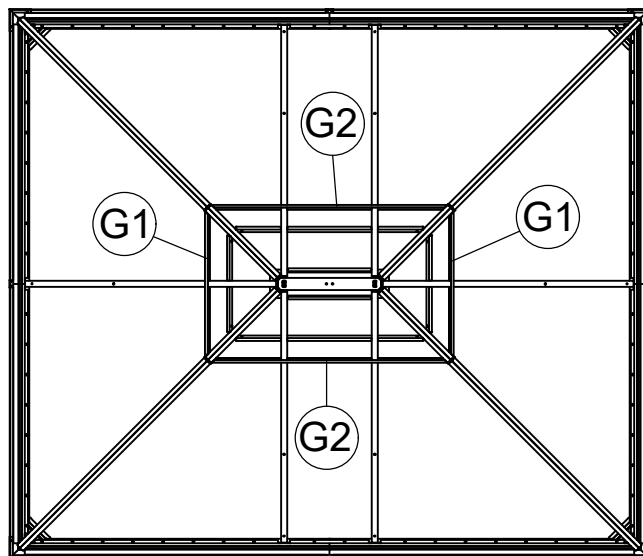
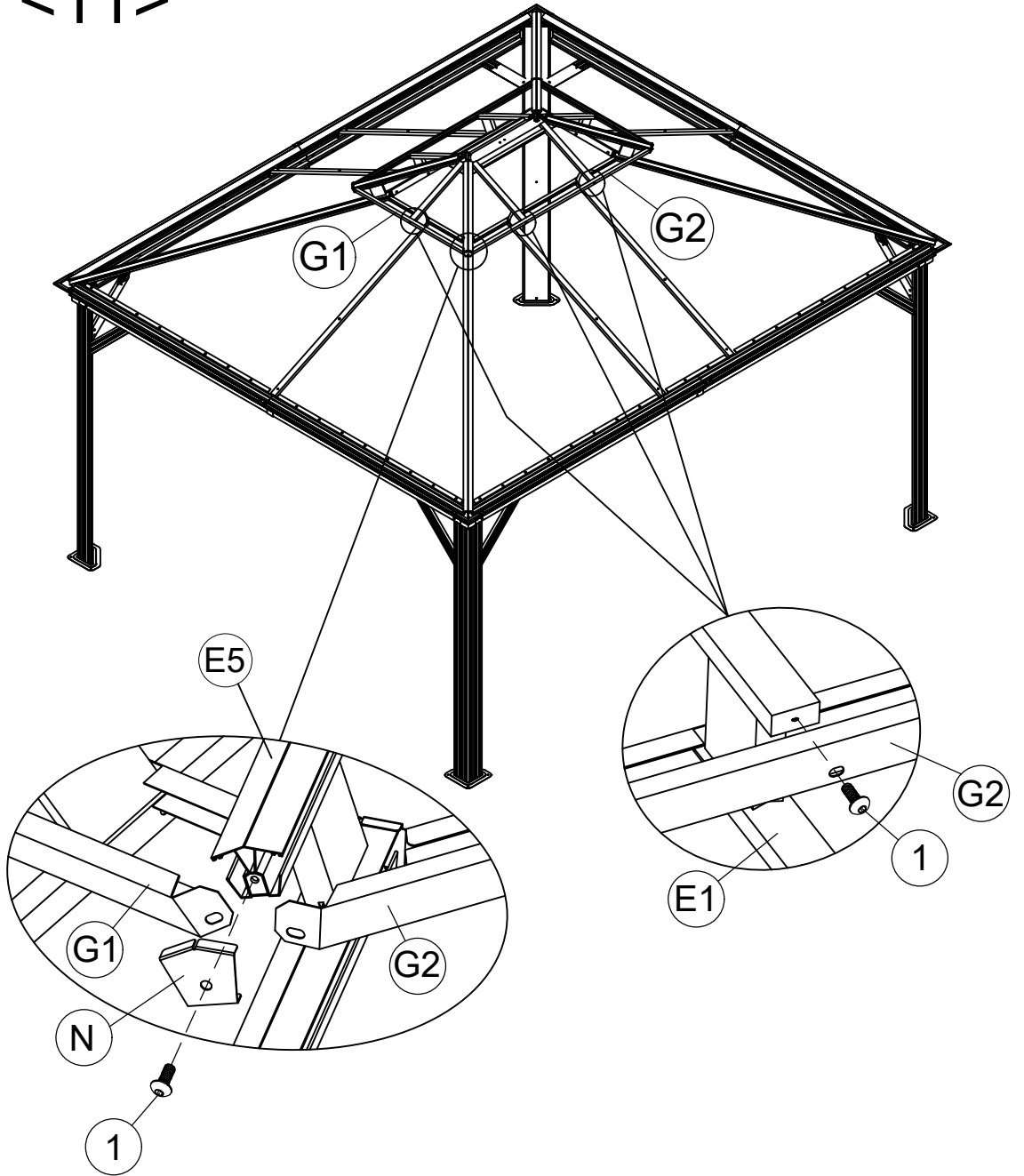


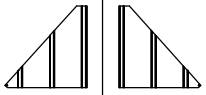
N 4x



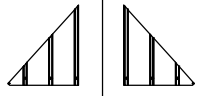
M6x15

1 10x

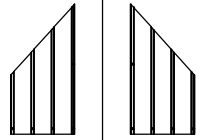




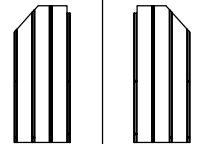
(S1) 2x (S2) 2x



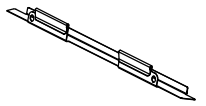
(R1) 2x (R2) 2x



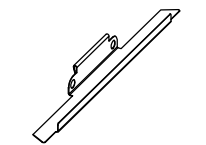
(R3) 2x (R4) 2x



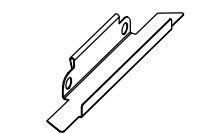
(R5) 2x (R6) 2x



(Z) 32x

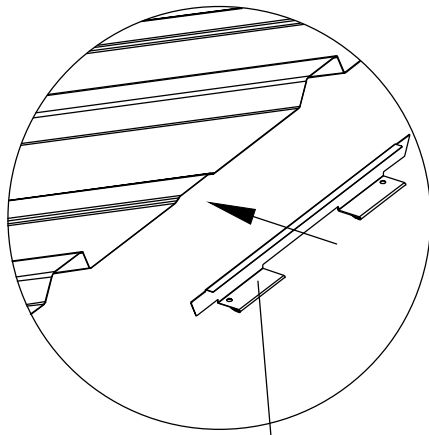


(Z1) 4x

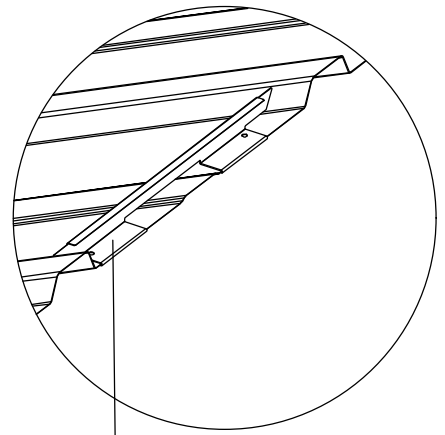
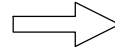


(Z2) 4x

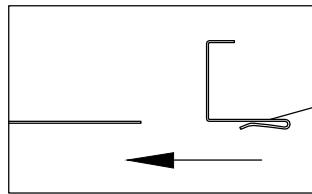
<12>



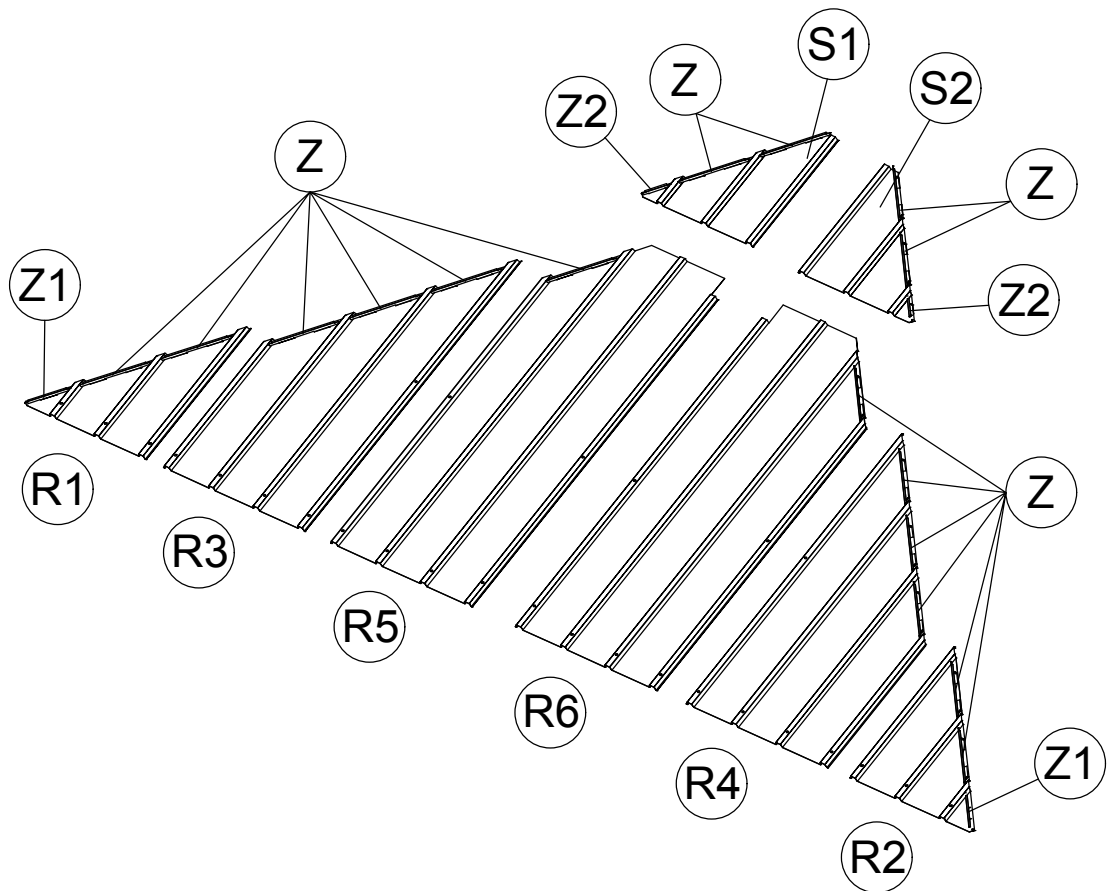
(Z) or (Z1) or (Z2)

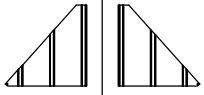


(Z) or (Z1) or (Z2)

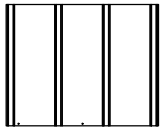


(Z) or (Z1) or (Z2)

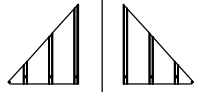




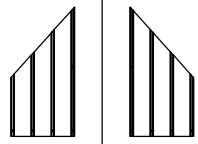
S1 2x S2 2x



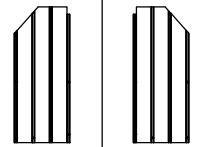
S3 2x



R1 2x R2 2x



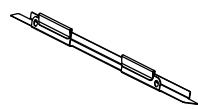
R3 2x R4 2x



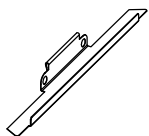
R5 4x R6 4x



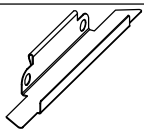
R7 2x



Z 32x



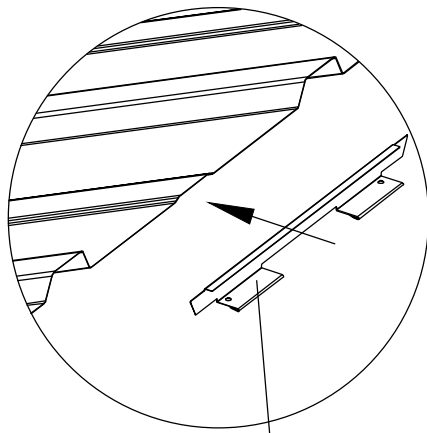
Z1 4x



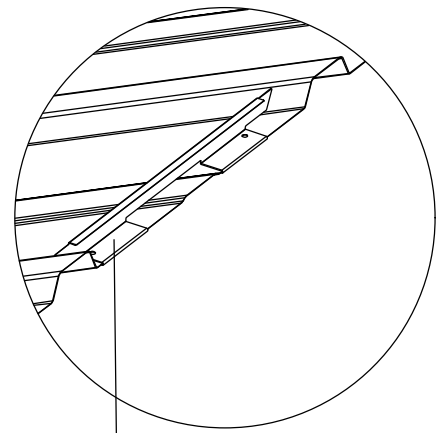
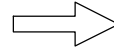
Z2 4x

17

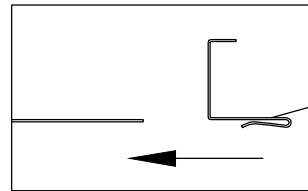
<13>



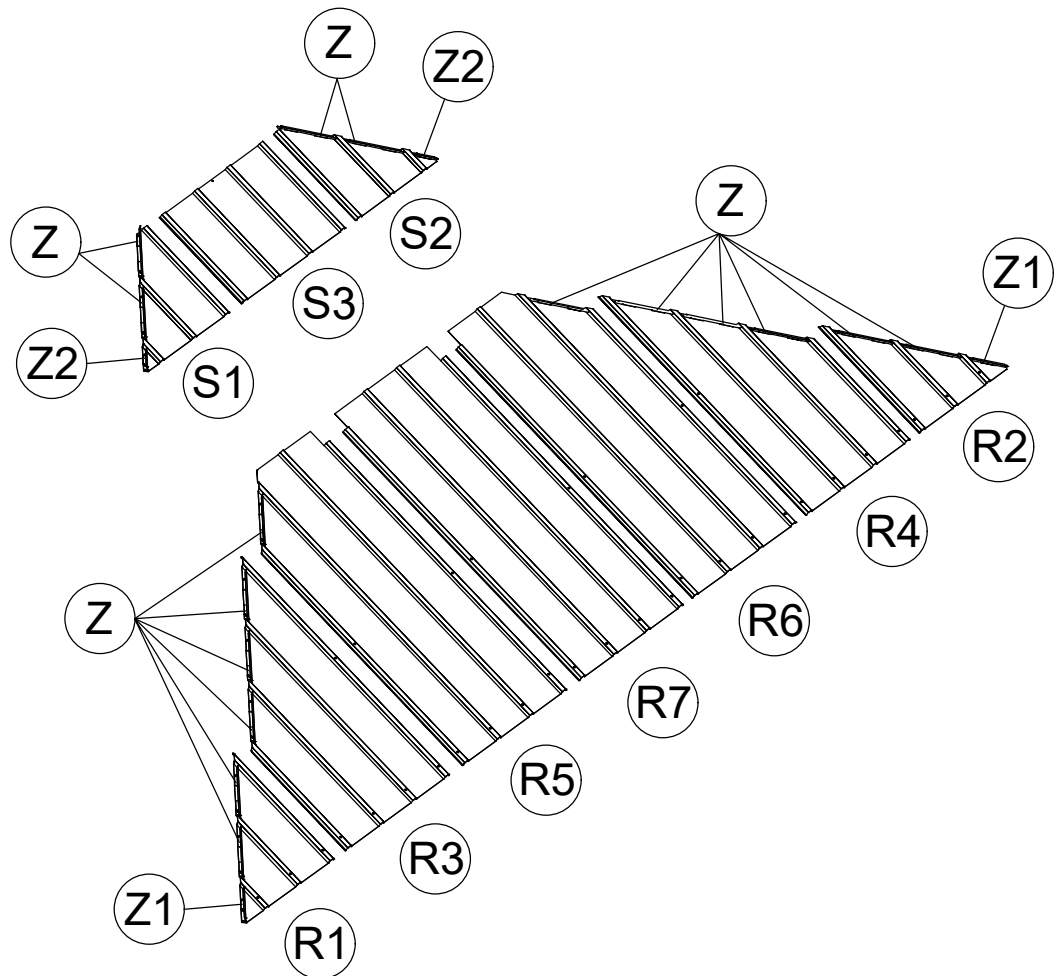
Z or Z1 or Z2



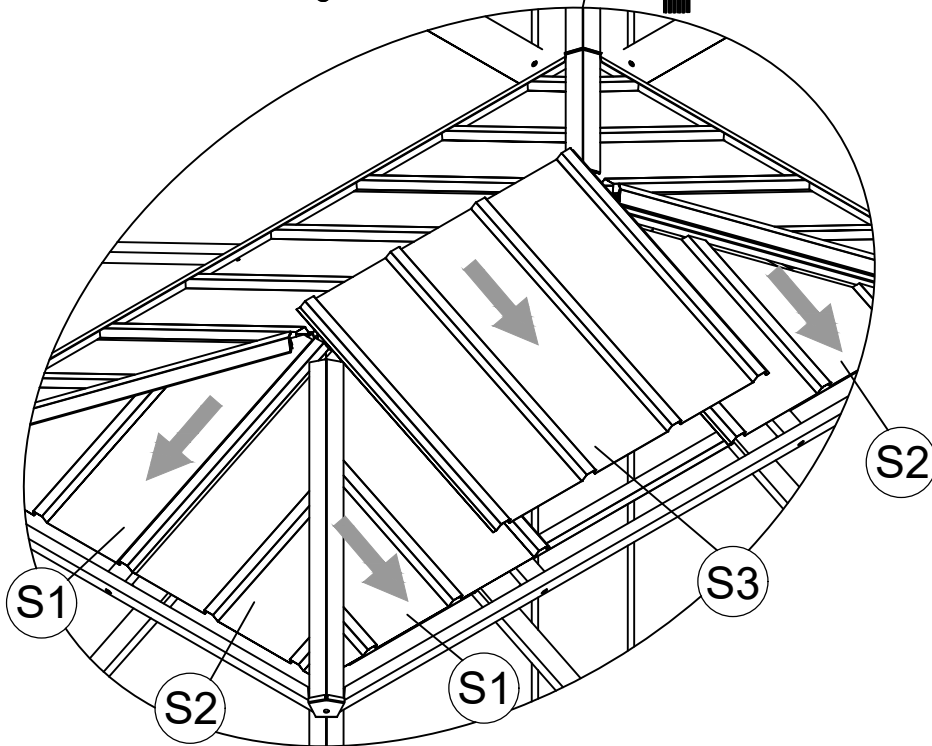
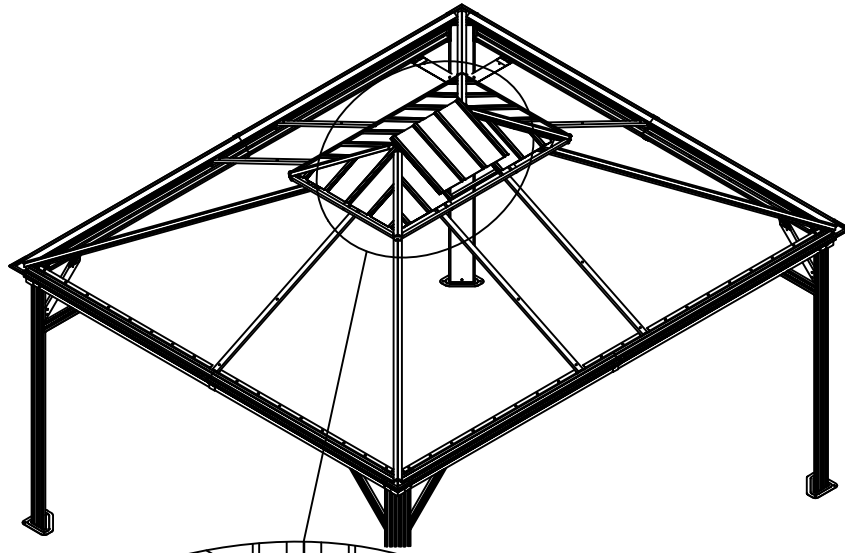
Z or Z1 or Z2



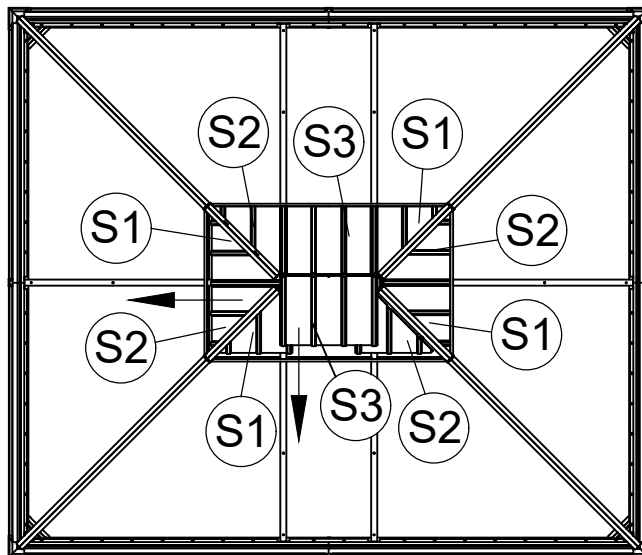
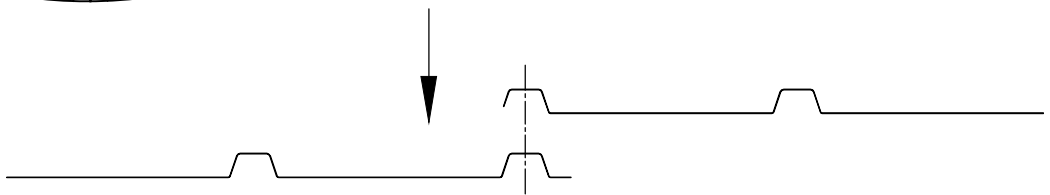
Z or Z1 or Z2

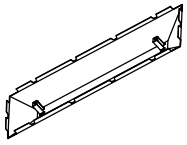


<14>



When installing the Roof plates (S2) onto short side, pls detach the right end of Roof Rib(G1) first. And then install the right end of Roof Rib (G1) again after S2 is installed.



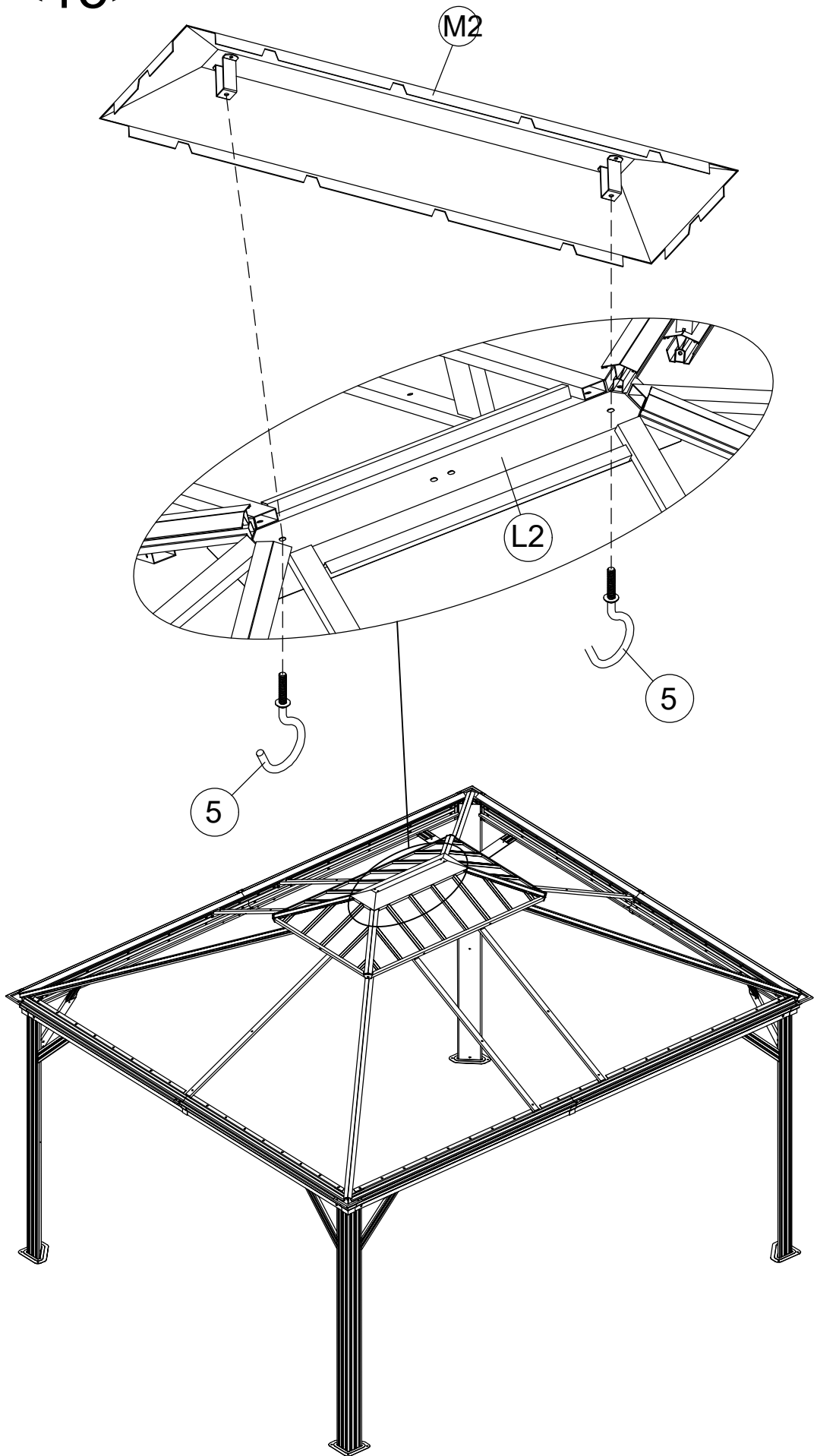


M2 1x

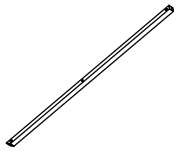


5 2x

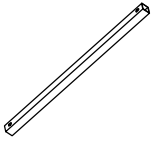
<15>



<16>



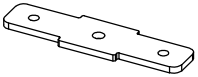
F1 8x



F2 2x



W 4x

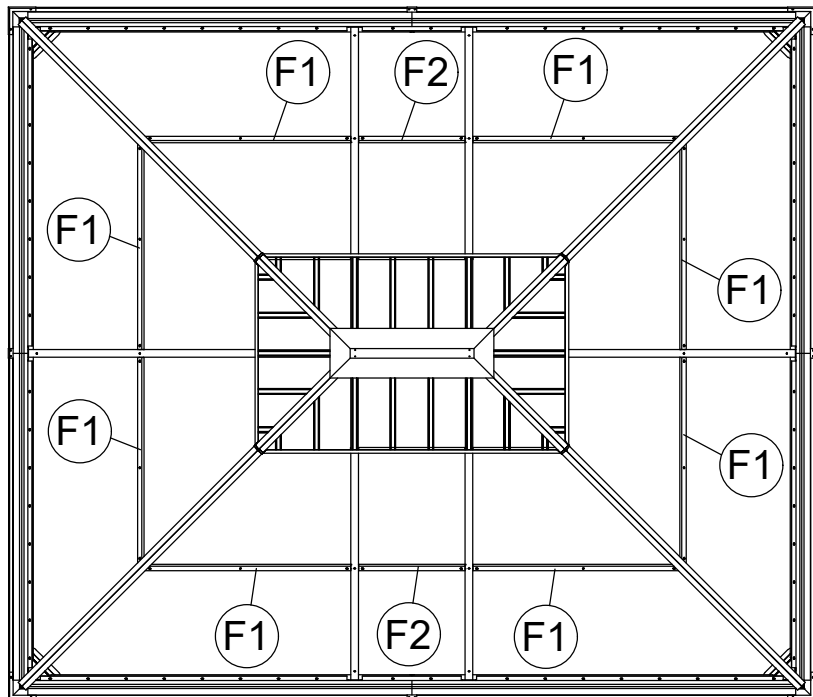
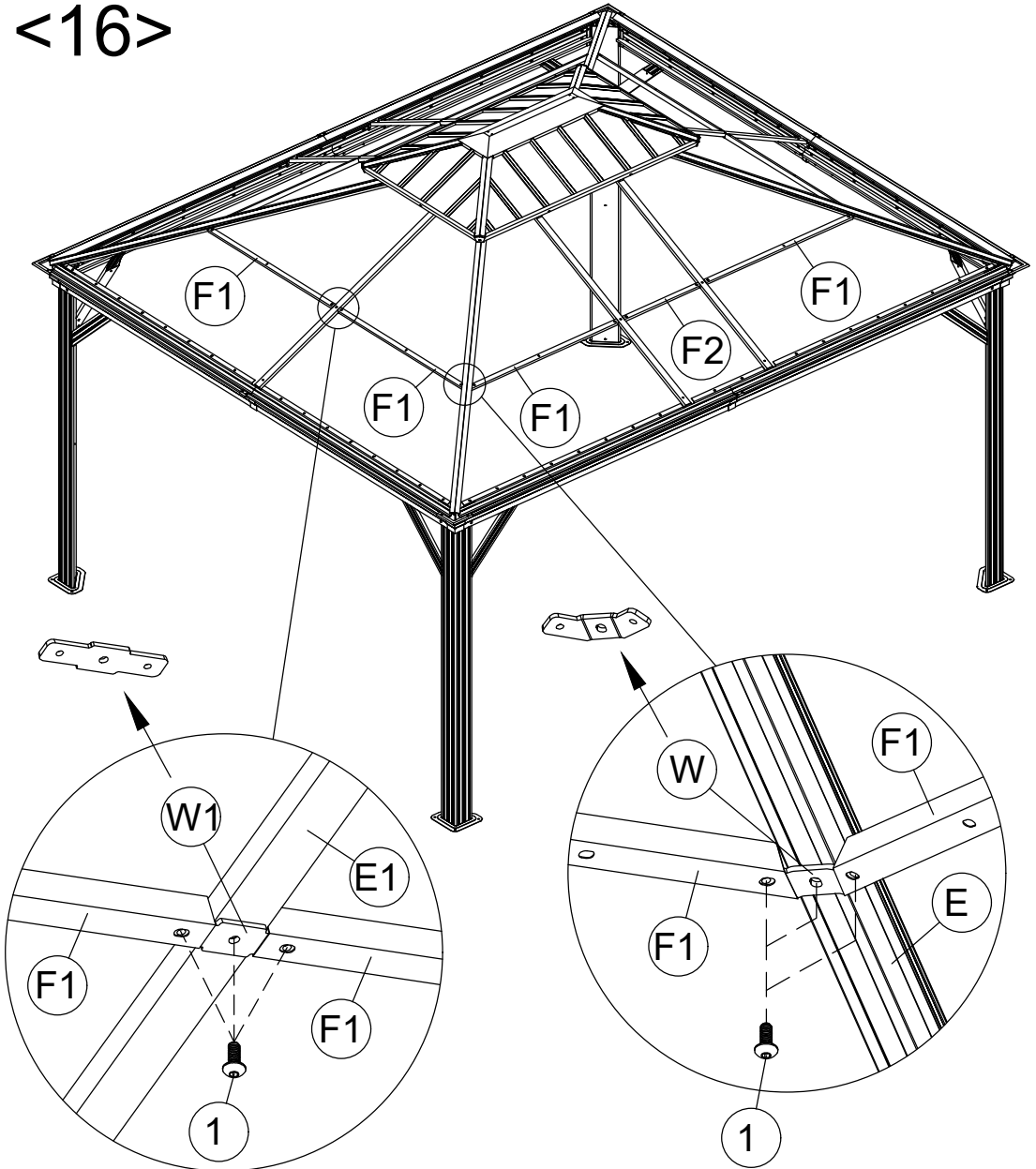


W1 6x

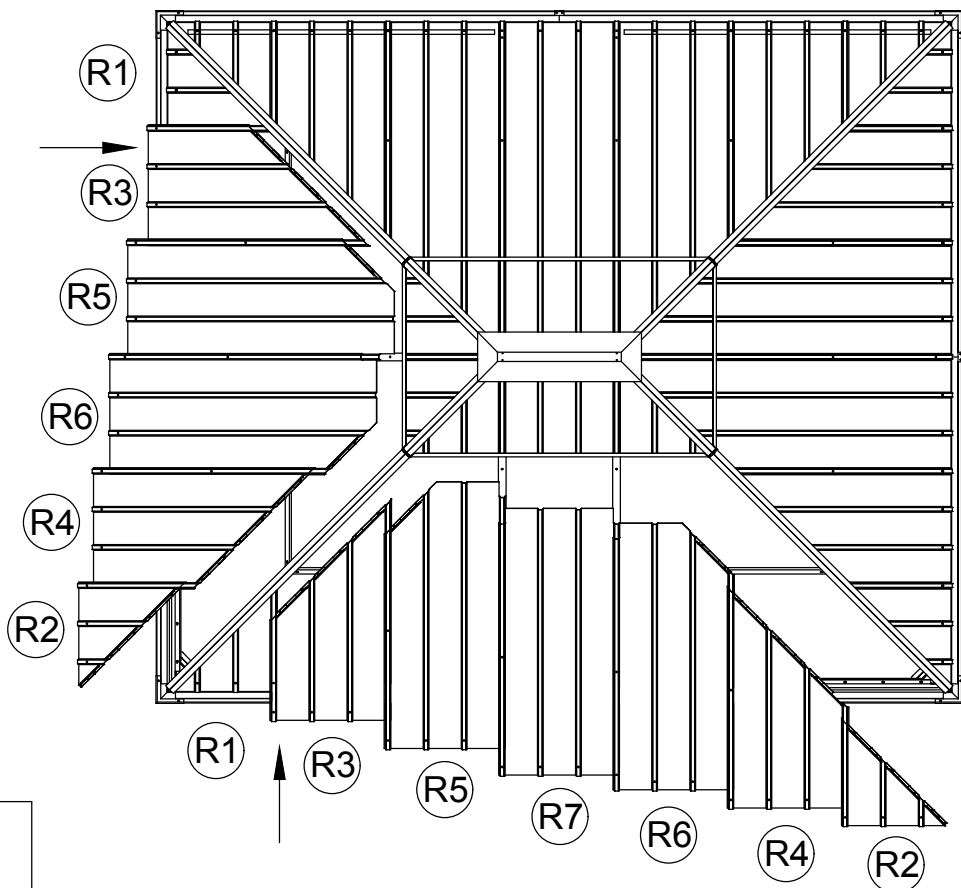
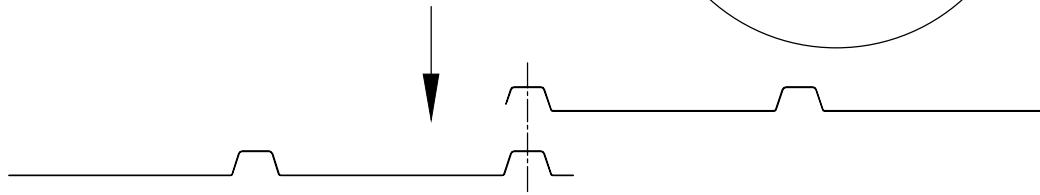
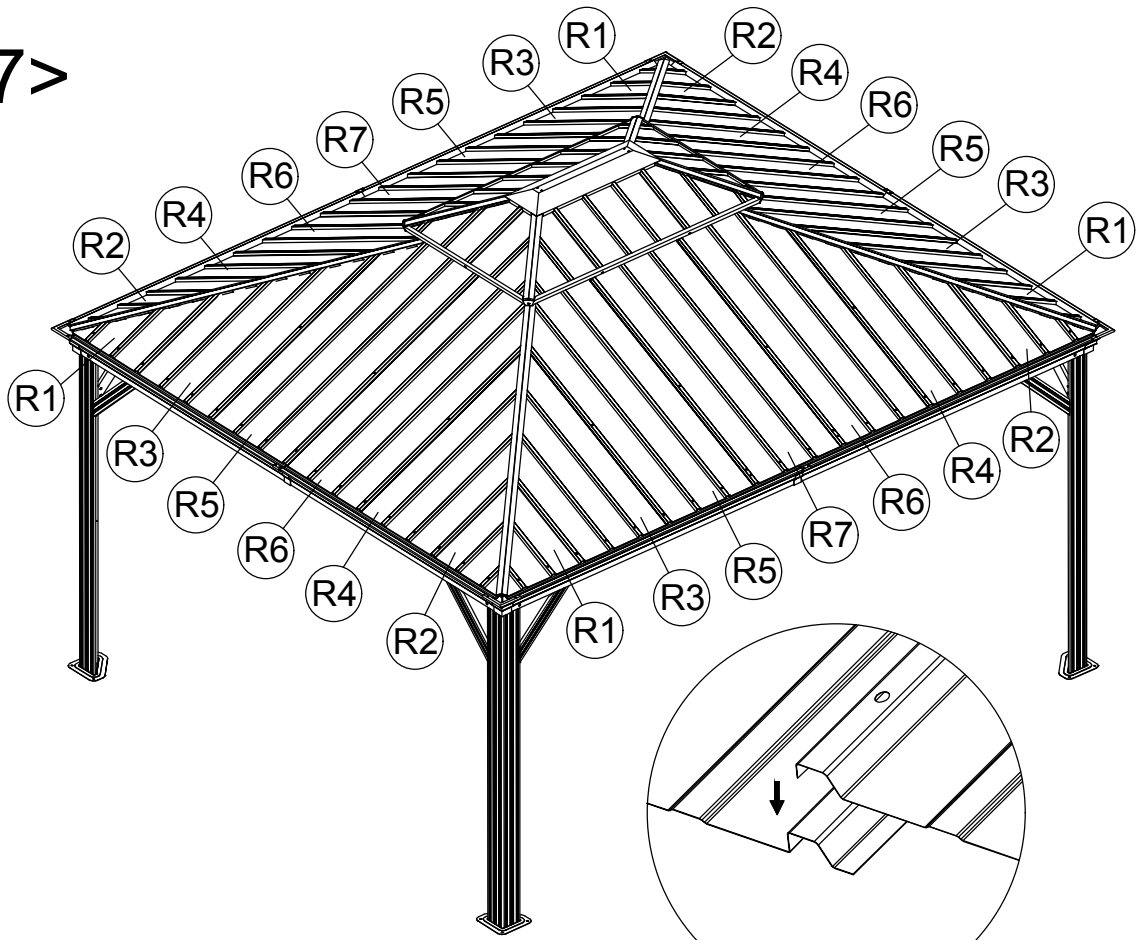


M6x15

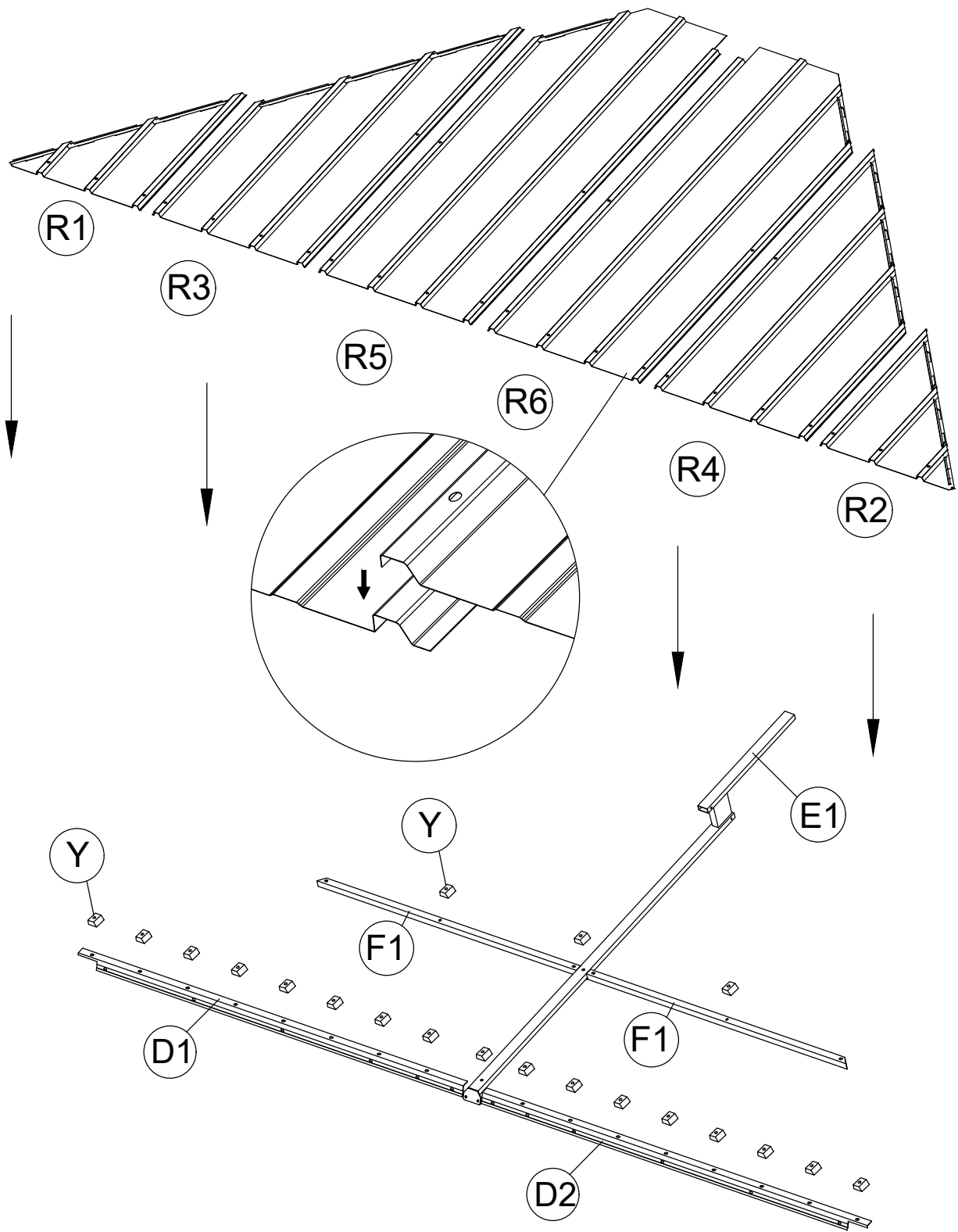
1 30x



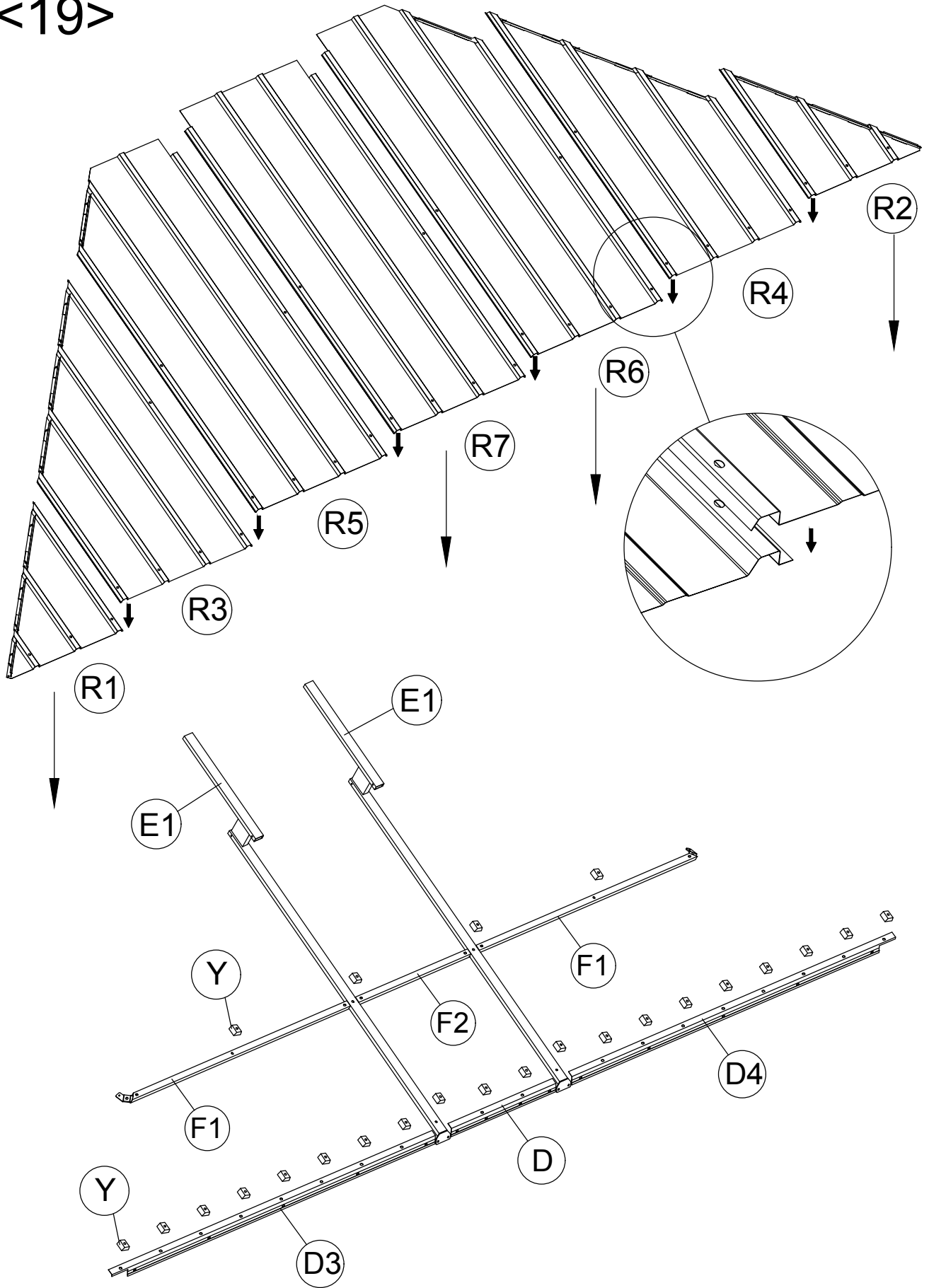
<17>



<18>



<19>





<20>

Y 88x



M6x23

2 68x



M6x25

3 6x



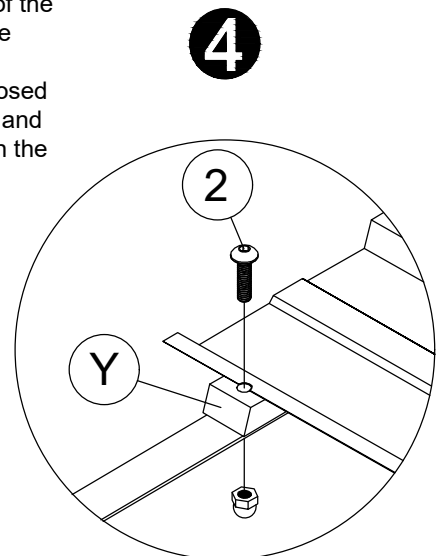
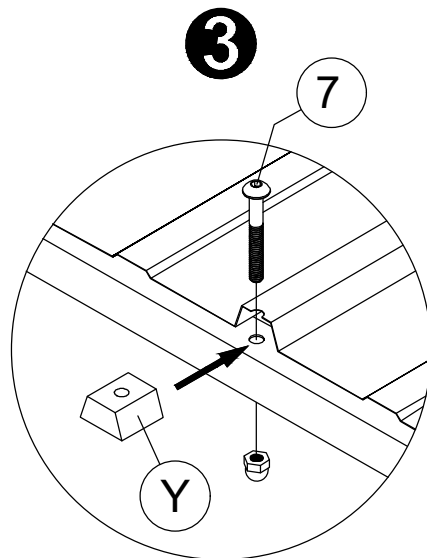
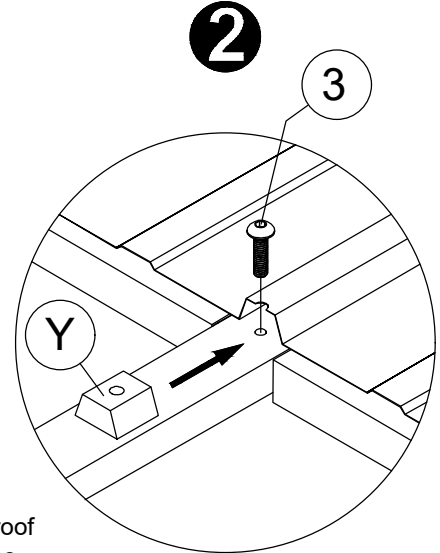
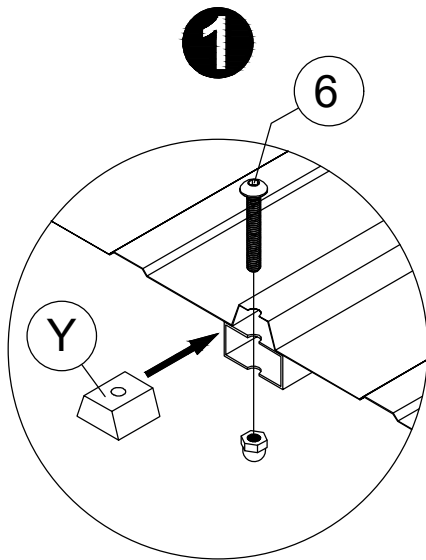
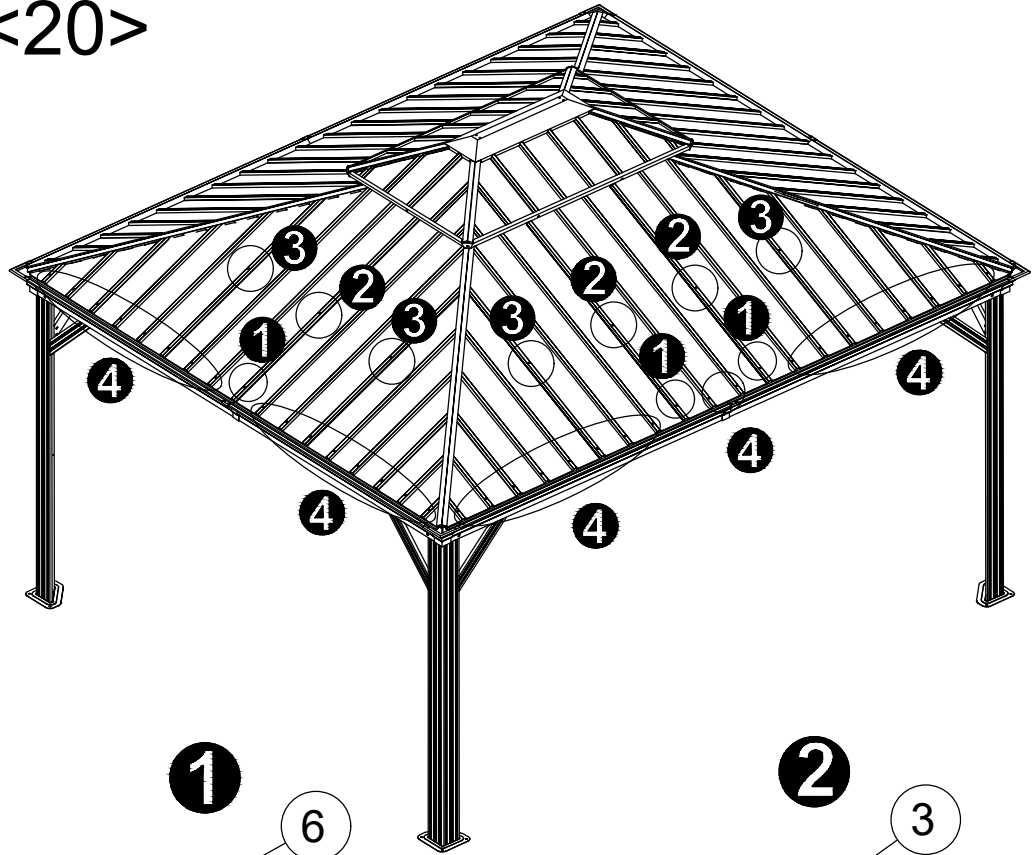
M6x42

6 6x

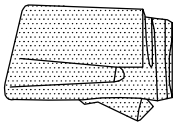


M6x47

7 8x

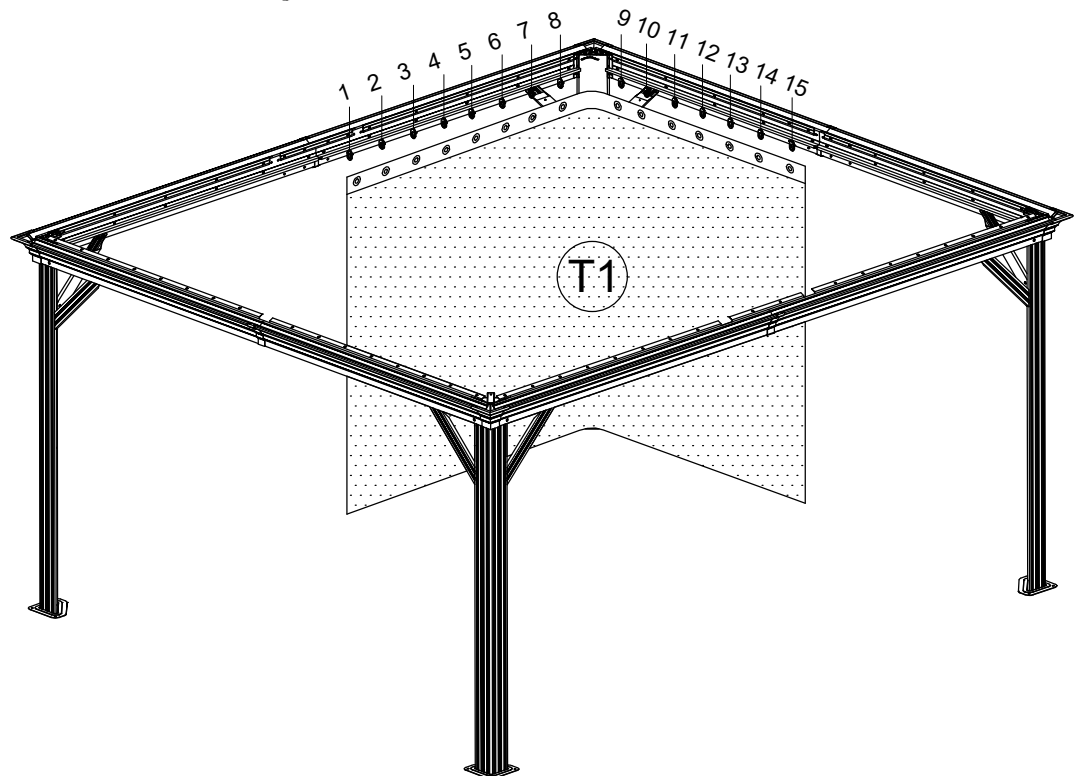
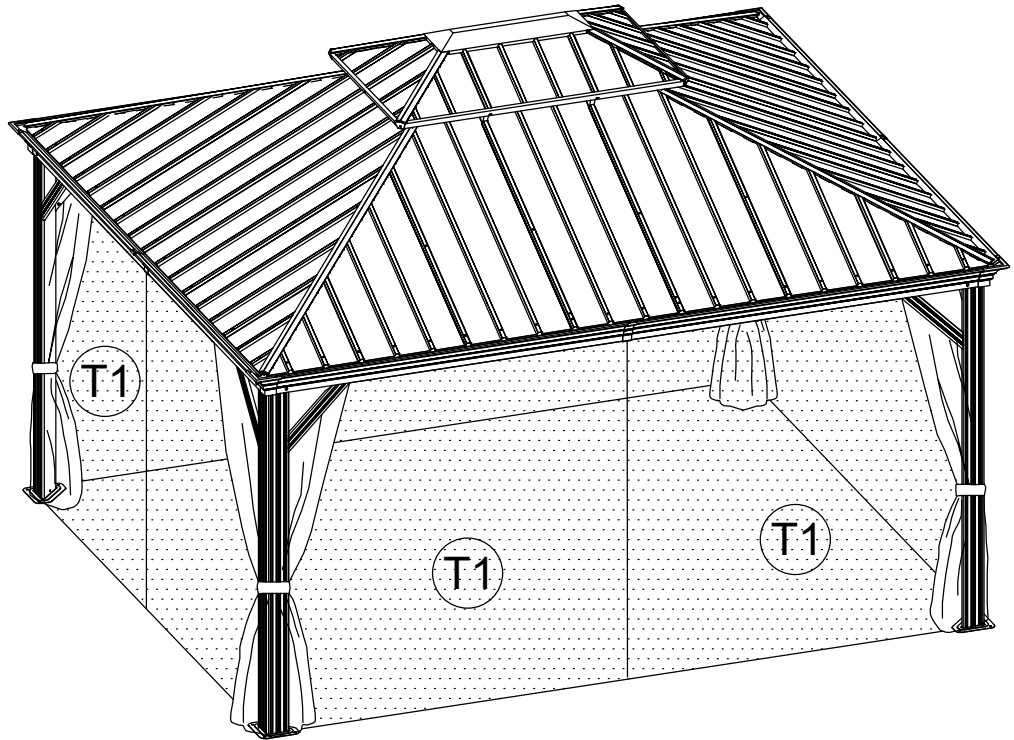
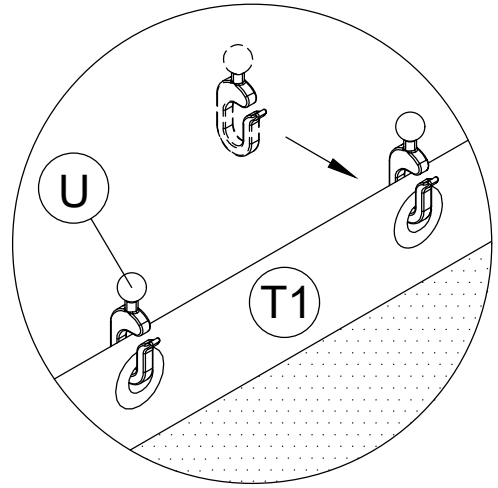
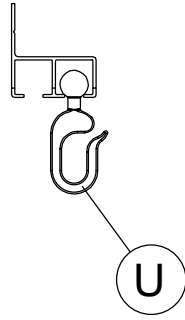


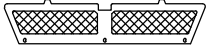
Note: When installing the roof top plates, if the roof plates are slightly uneven, pls press the screws from the top of the plates until the bottom screw thread is exposed by 3 to 4mm, and then screw on the nut.



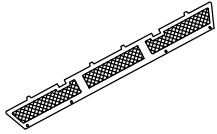
<22>

T1 4x





V1 2x



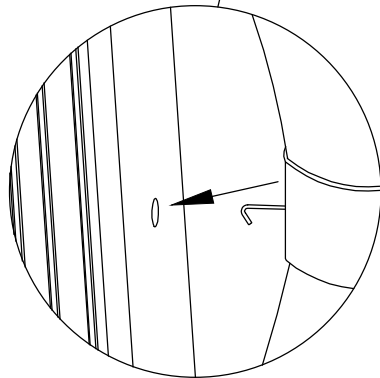
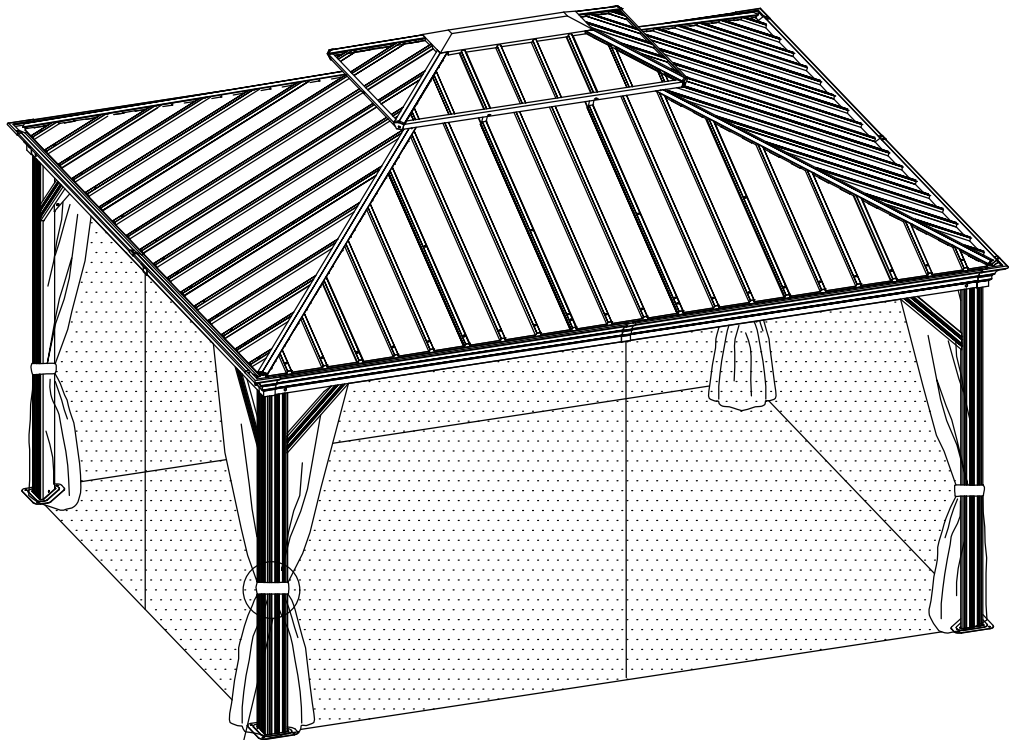
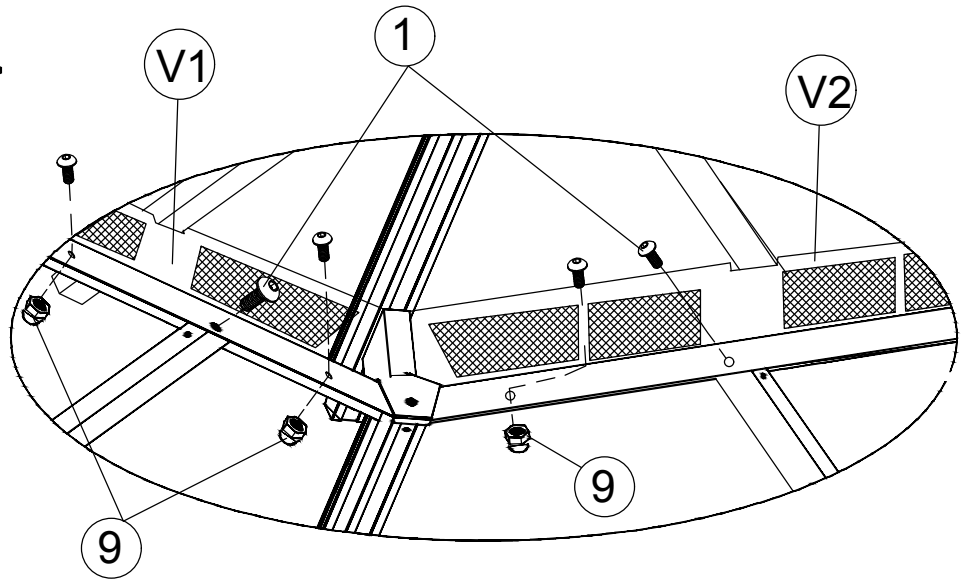
V2 2x



M6x10

9 8x

<23>



Carton-1/4		Carton-3/4		Carton-4/4	
Part	Qty	Part	Qty	Part	Qty
A	4	B1	2	R1	4
E1	4	B2	2	R2	4
E5	2	E5	2	R3	4
C3	2	F1	8	R4	4
C4	2	H	4	R5	4
P	4	H1	4	R6	4
V1	2	Z	64	R7	2
V2	2	Z1	8	S1	4
		Z2	8	S2	4
Carton-2/4		L2	1	S3	2
Part	Qty	M2	1		
B3	2	K	4		
B4	2	K1	4		
E	4	W	4		
E1	2	W1	6		
C1	2	W3	8		
C2	2	W4	8		
D	2	V	4		
D1	2	Y	88		
D2	2	U	120		
D3	2	N	8		
D4	2	T	4		
F2	2	T1	4		
G1	2	1.2.3.4.5.6.7.8.9. 10.11.12.13.14.15	1		
I1	2				
G2	2				
I2	2				
J	4				