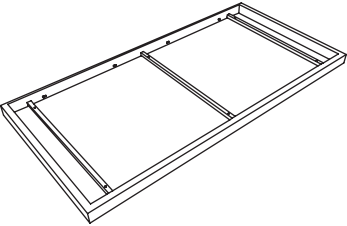
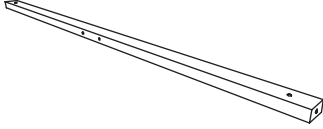

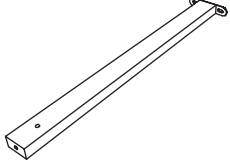
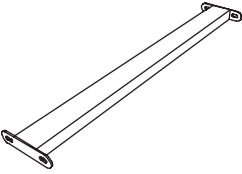
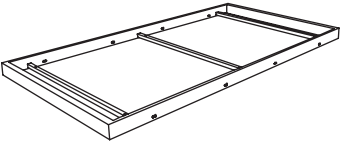
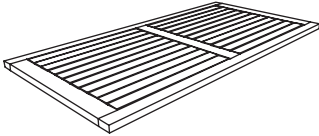
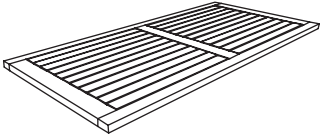




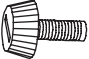



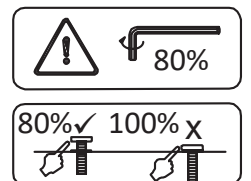
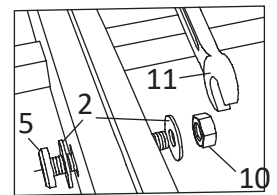
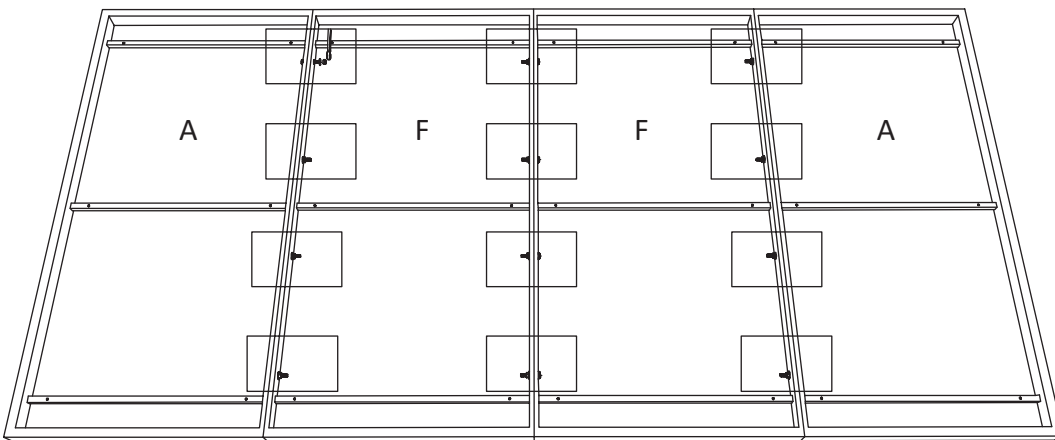


mm
inch

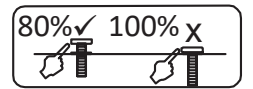
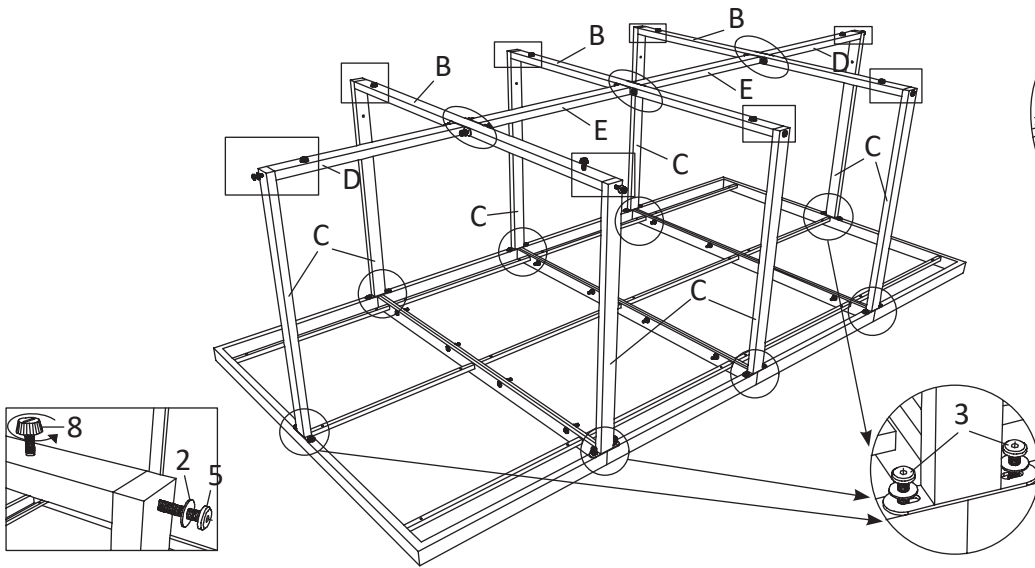
x2

<p>A 2pcs</p> 	<p>B 3pcs</p> 	<p>C 8pcs</p> 	<p>D 2pcs</p> 
<p>E 2pcs</p> 	<p>F 2pcs</p> 	<p>G 2pcs</p> 	<p>H 2pcs</p> 
<p>1 1pc</p>  <p>M4</p>	<p>2 32pcs</p>  <p>M6x $\frac{16 \times 1}{0.63 \times 0.04}$</p>	<p>3 44pcs</p>  <p>M6x $\frac{15}{0.59}$</p>	<p>5 20pcs</p>  <p>M6x $\frac{40}{1.57}$</p>
<p>8 8pcs</p> 	<p>9 8pcs</p> 	<p>10 12pcs</p> 	<p>11 1pc</p> 

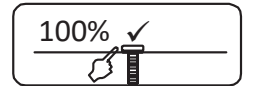
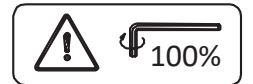
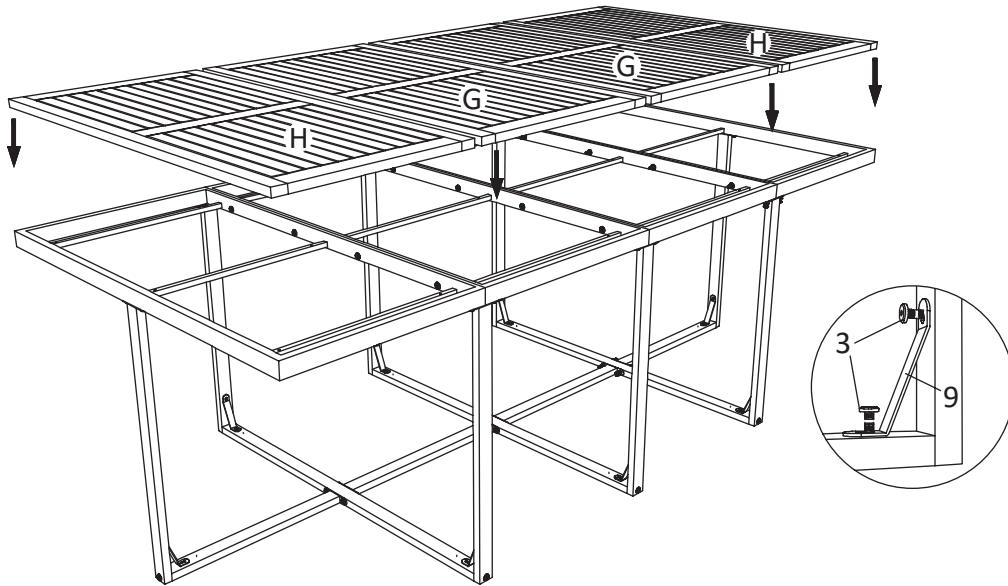
1



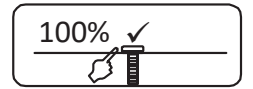
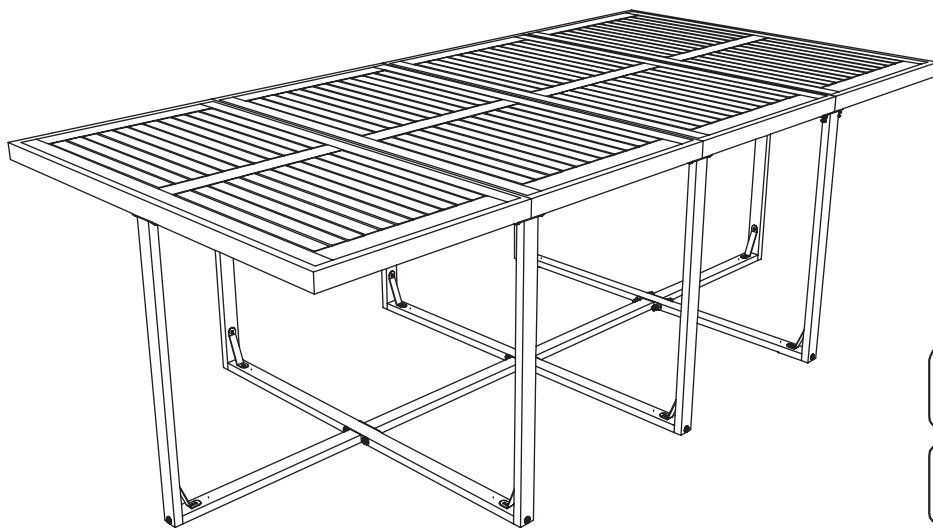
2




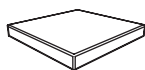




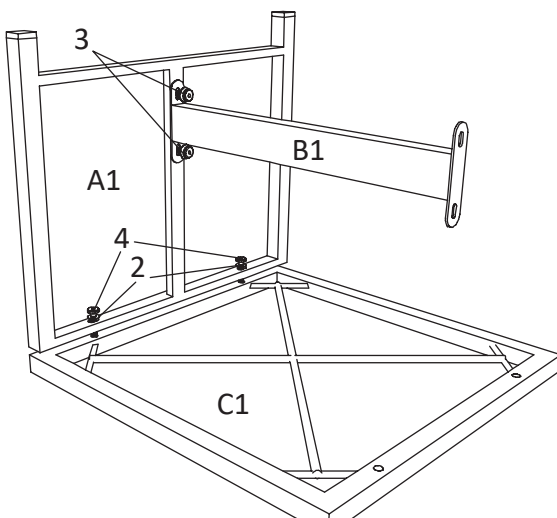
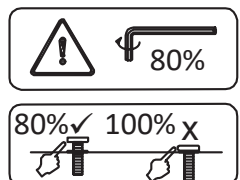
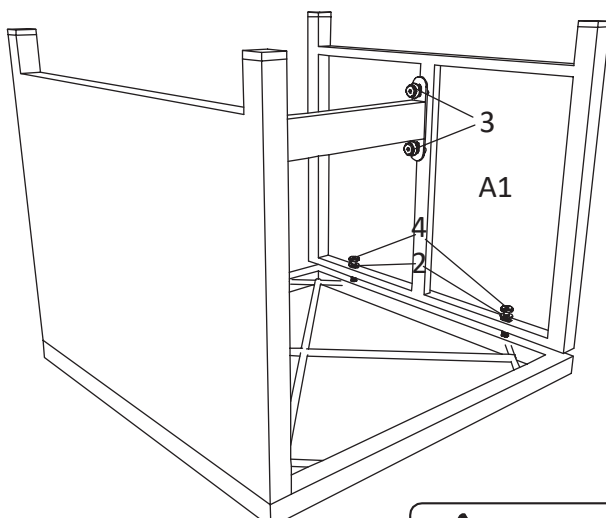
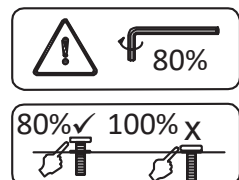
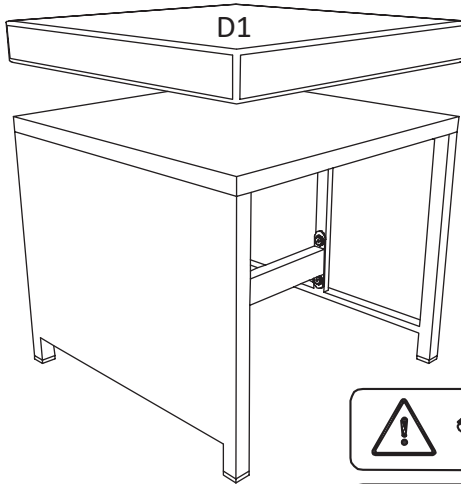
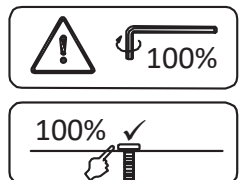
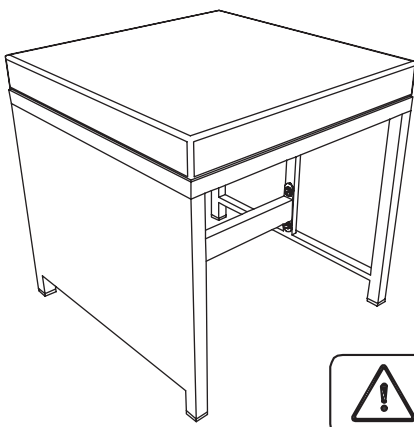
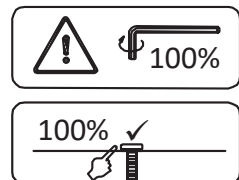


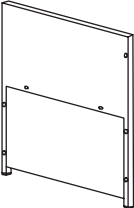
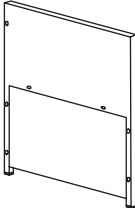
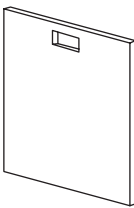
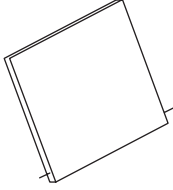
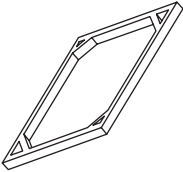
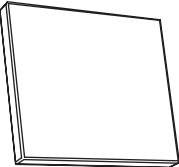
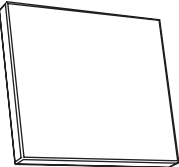






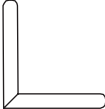
3

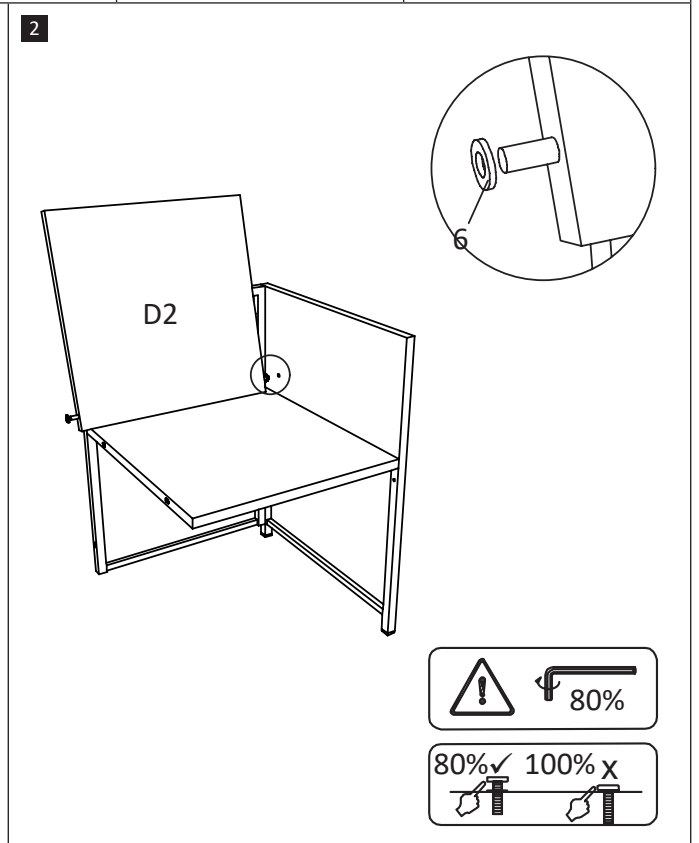
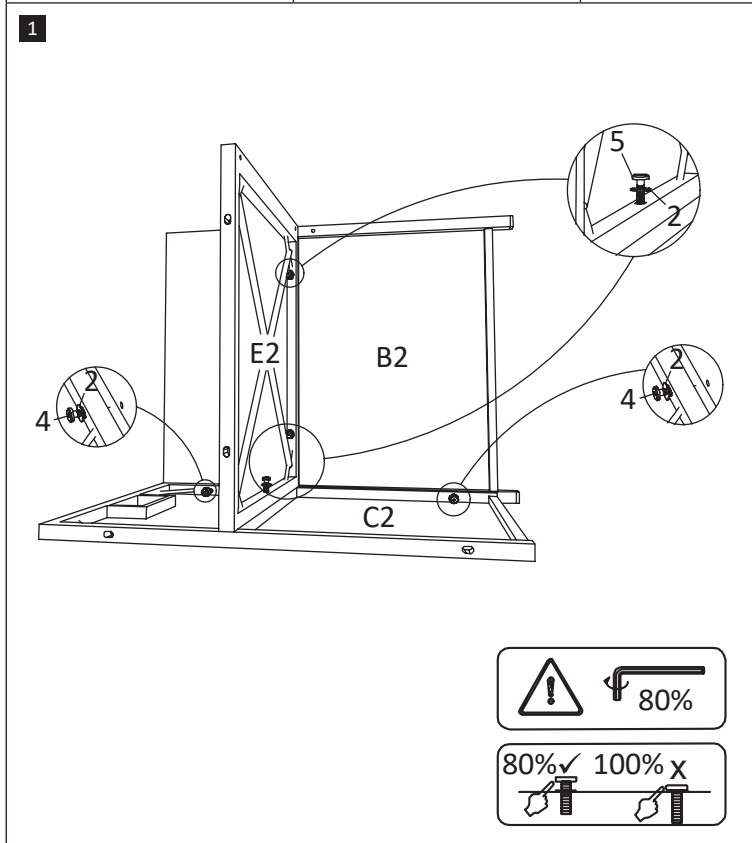


4

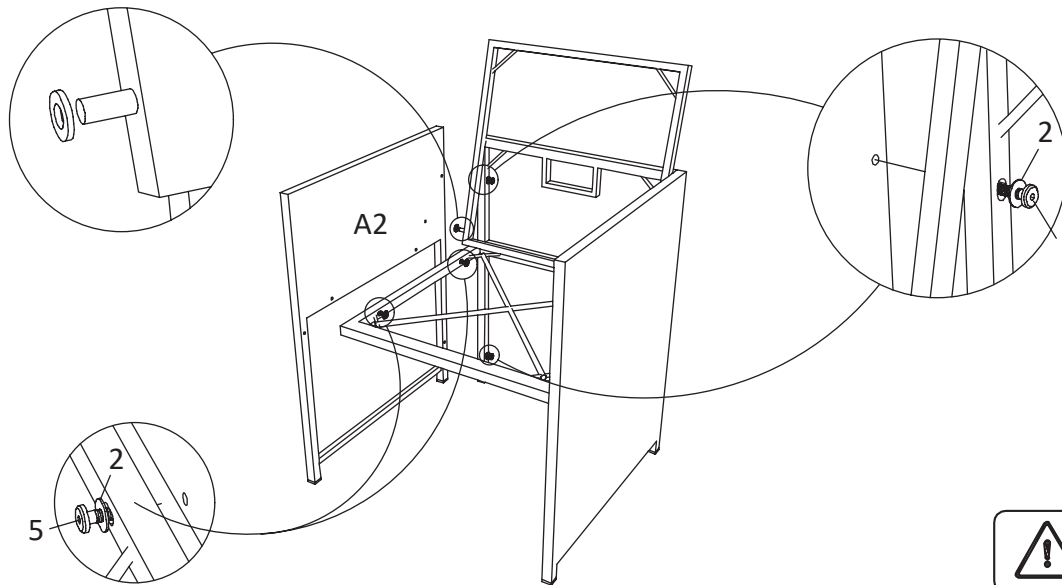


<p>A1 8pcs</p> 	<p>B1 4pcs</p> 	<p>C1 4pcs</p> 	<p>D1 4pcs</p> 
<p>1 1pc</p>  <p>M4</p>	<p>2 16pcs</p>  <p>M6x $\frac{16 \times 1}{0.63 \times 0.04}$</p>	<p>3 16pcs</p>  <p>M6x $\frac{15}{0.59}$</p>	<p>4 16pcs</p>  <p>M6x $\frac{30}{1.18}$</p>
<p>1</p>  <p>A1, B1, C1, 1, 2, 3, 4</p> 	<p>2</p>  <p>A1, 3, 4</p> 		
<p>3</p>  <p>D1</p> 	<p>4</p>  		

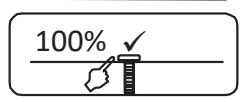
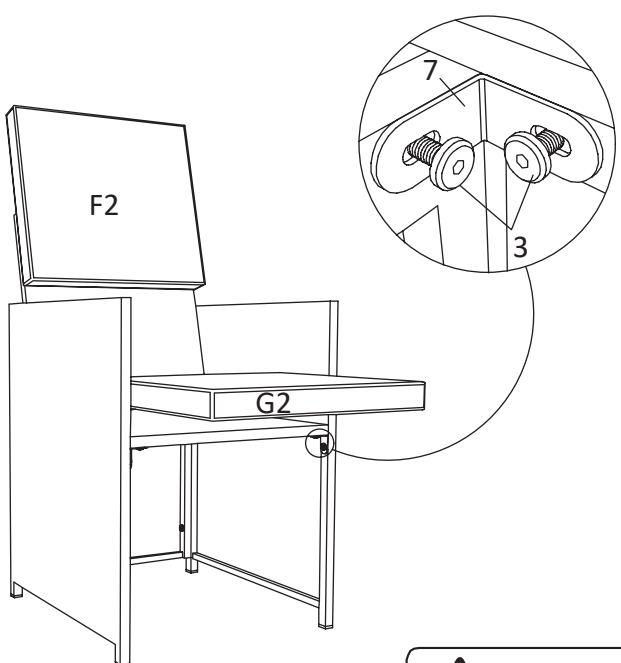
A2 8pcs 	B2 8pcs 	C2 8pcs 	D2 8pcs 	E2 8pcs 
F2 8pcs 	G2 8pcs 	1 3pcs  M4	2 72pcs  M6x $\frac{16 \times 1}{0.63 \times 0.04}$	3 32pcs  M6x $\frac{15}{0.59}$
4 32pcs  M6x $\frac{30}{1.18}$	5 40pcs  M6x $\frac{40}{1.57}$	6 16pcs  M6x $\frac{16 \times 1}{0.63 \times 0.04}$	7 16pcs 	



3



4



5

