

Parts and Damage Replacement Procedure

1. Please inspect your purchase immediately.
2. This procedure covers product purchased from an authorized Roundhill Reseller and was received in its originally sealed carton.
3. If you find a part missing or damaged, you have a 30-day window in which to order a replacement part from the date on your purchase receipt.
4. You have 3 ways to do this. You will need a copy of your purchase receipt.
 - a. By Fax: Fax the parts order form below and along with your receipt
 - b. By Email: Email the order form and along with your receipt
 - c. By Mail: Fill out the parts order form below and along with a copy of your receipt
5. Once this order is sent in, you will be notified if the part(s) you are requesting can or cannot be shipped within 7-10 business days.

**A COPY OF YOUR PURCHASE RECEIPT OR INVOICE MUST BE ATTACHED TO THIS ORDER FORM.
NO ORDERS WILL BE PROCESSED WITHOUT PROOF OF PURCHASE.**

NAME: _____

ADDRESS: _____ (No Post Office Boxes)

CITY: _____ STATE: _____ ZIP: _____

PHONE: _____ FAX: _____

EMAIL: _____

REASON FOR REPLACEMENT/PLEASE CHECK APPROPRIATE BOX.

- () Damaged /scratched, cracked, broken, crushed, etc.
- () Mechanical malfunction/ drawer glides, swivel mechanisms, lid stays, etc.
- () Missing pieces
- () Unfinished surface
- () Wrong color
- () Other

IF MORE THAN ONE MODEL NUMBER IS LISTED ABOVE, PLEASE SPECIFY THE EXACT MODEL NUMBER OF YOUR ITEM IN THE SPACE PROVIDED BELOW.

Model Number	Part Letter Code	Quantity

ASSEMBLY INSTRUCTION

DESCRIPTION :NIGHT STAND

Thank you for purchasing this quality product.Be sure to check all packing material carefully for small Hardware which may have come loose inside the carton during shipment.Identify and count all Hardware and compare with the Hardware List below.

Note : Take out assembly instructions sheet, hardware pack and feet packaging from the drawer which marked with the rope.

COMPONENT LIST



Bun Feet

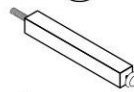
4 pcs

COMPONENT LIST



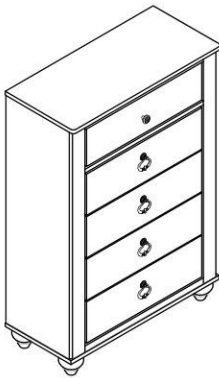
Bun Feet

4 pcs



Center Support Leg

1 pc

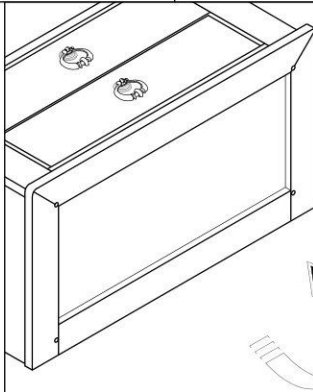


CHEST



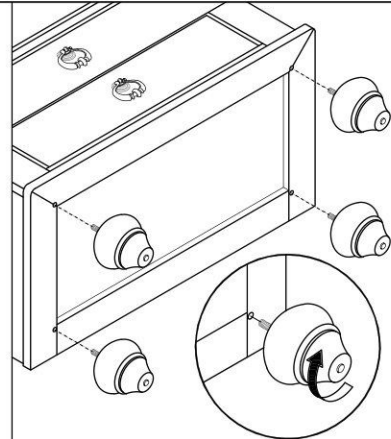
NIGHT STAND

ASSEMBLY COMPLETED



STEP 1

Please lay down the casegoods on the floor.



STEP 2

Fasten bun feet to casegoods according to the position with turning the bun feet clockwise until tightly.



DRESSER

ASSEMBLY COMPLETED

STEP 1

Please lay down the dresser on the floor.

STEP 2

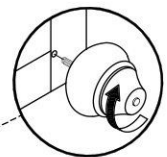
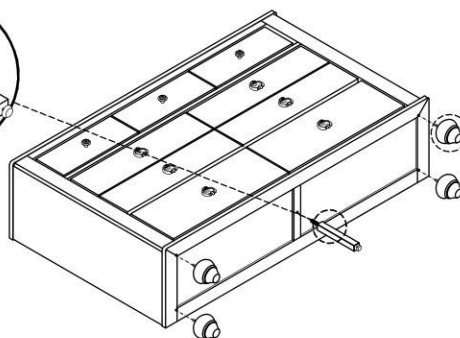
Fasten bun feet to dresser according to the position with turning the bun feet clockwise until tightly.

STEP 3

Align and tighten center support leg to bottom panel of dresser.



STEP 3



STEP 2