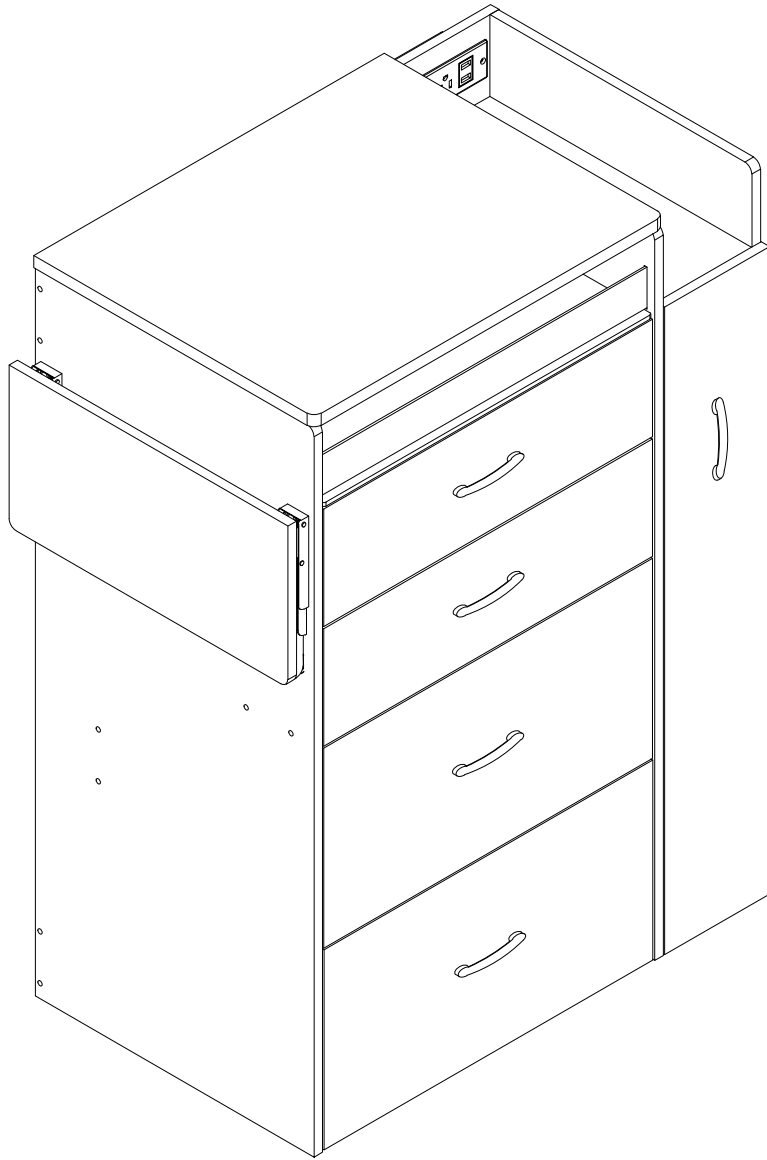
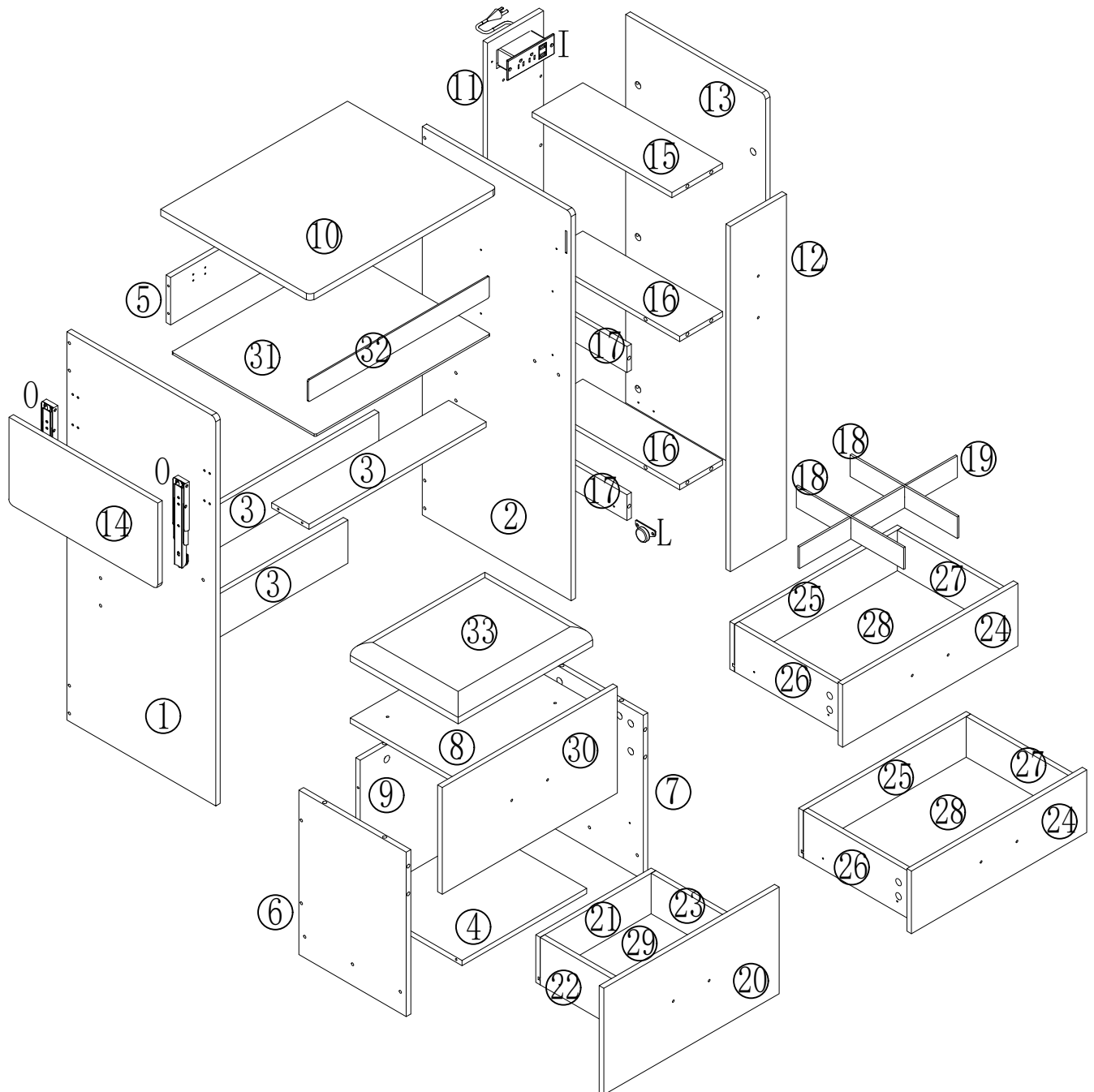


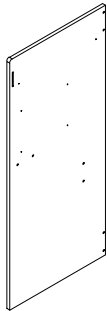

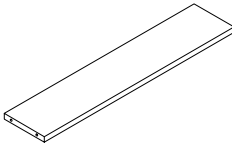
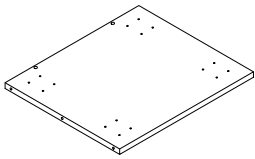
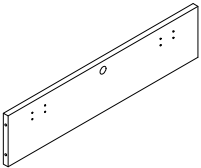
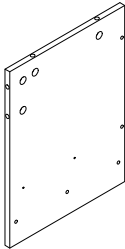
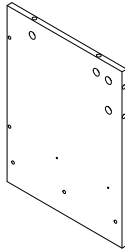
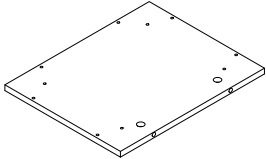
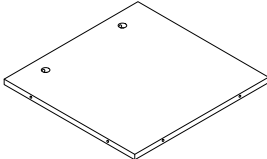
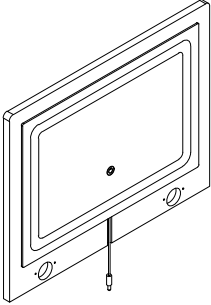
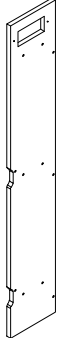

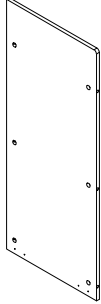
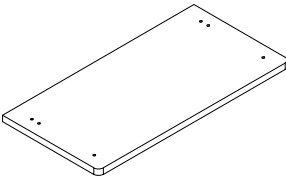
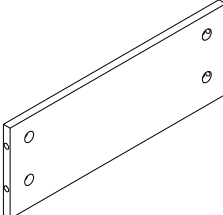
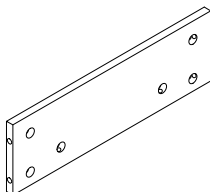
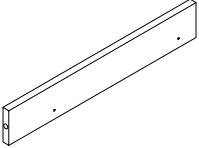
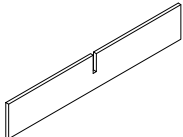
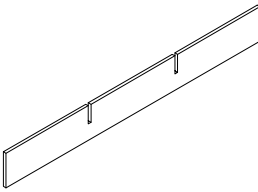
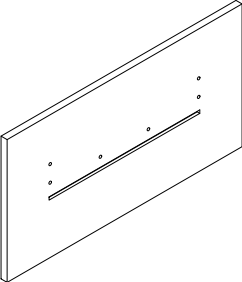
PT01 ASSEMBLY INSTRUCTION



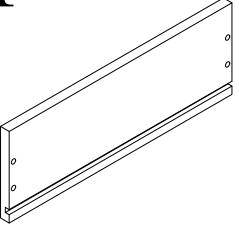
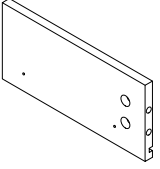
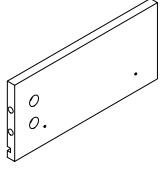
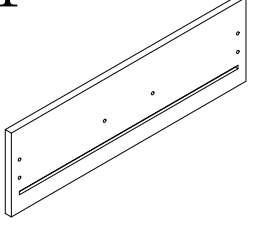
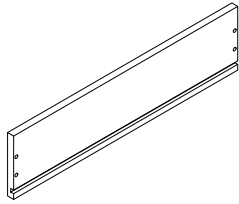
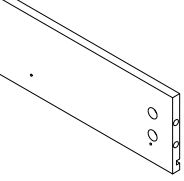
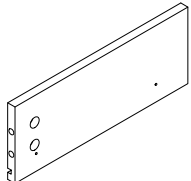
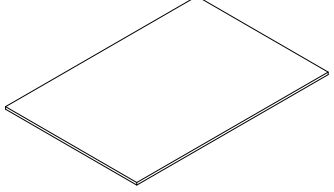
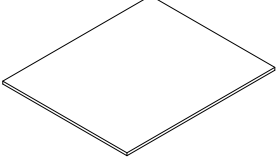
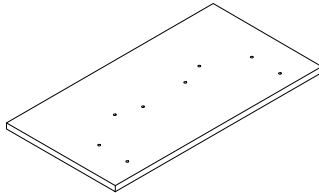
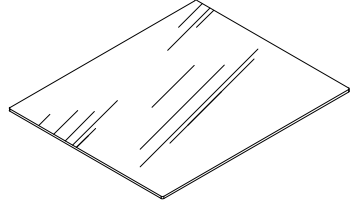
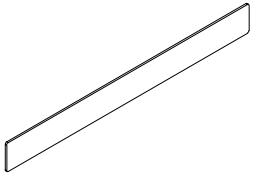
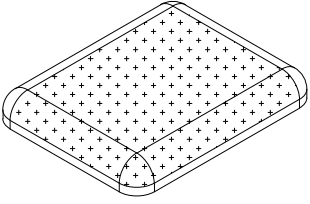
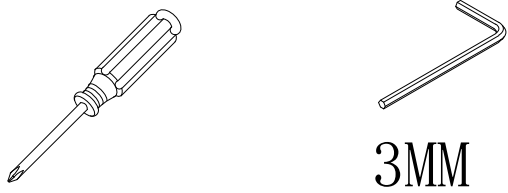
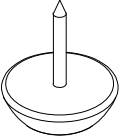
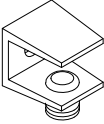
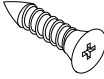
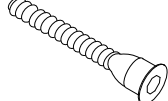
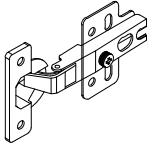
# ASSEMBLY INSTRUCTION



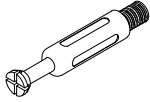
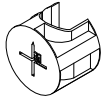
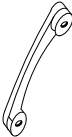

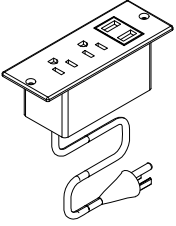
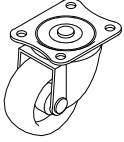
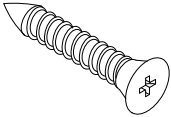
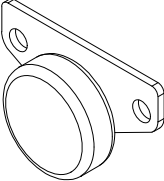
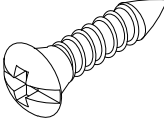
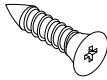
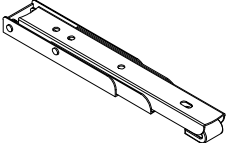
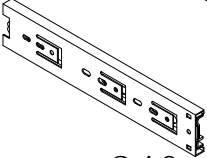
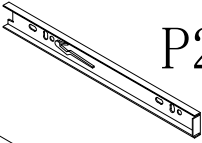
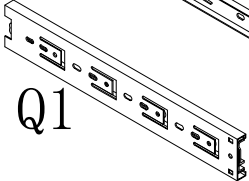
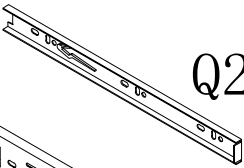

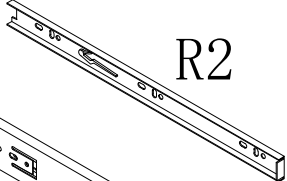
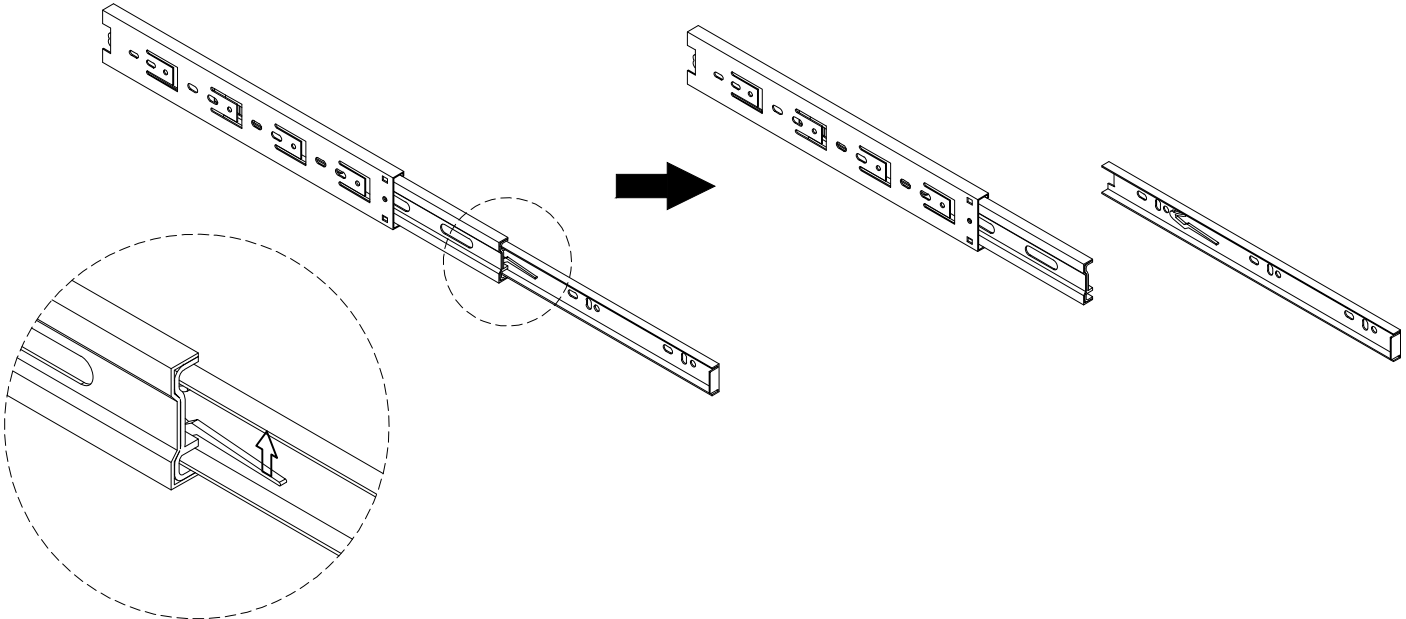
# ASSEMBLY INSTRUCTION

1  1PCS	2  1PCS	3  3PCS	4  1PCS
5  1PCS	6  1PCS	7  1PCS	8  1PCS
9  1PCS	10  1PCS	11  1PCS	12  1PCS
13  1PCS	14  1PCS	15  1PCS	16  2PCS
17  2PCS	18  2PCS	19  1PCS	20  1PCS

# ASSEMBLY INSTRUCTION




<p>21</p>  <p>1PCS</p>	<p>22</p>  <p>1PCS</p>	<p>23</p>  <p>1PCS</p>	<p>24</p>  <p>2PCS</p>	
<p>25</p>  <p>2PCS</p>	<p>26</p>  <p>2PCS</p>	<p>27</p>  <p>2PCS</p>	<p>28</p>  <p>2PCS</p>	
<p>29</p>  <p>1PCS</p>	<p>30</p>  <p>1PCS</p>	<p>31</p>  <p>1PCS</p>	<p>32</p>  <p>1PCS</p>	
<p>33</p>  <p>1PCS</p>	 <p>3MM</p>			
<p>A</p>  <p>4PCS</p>	<p>B</p>  <p>4PCS</p>	<p>C</p>  <p>M3*12</p> <p>70PCS</p>	<p>D</p>  <p>M5*38</p> <p>40PCS</p>	<p>E</p>  <p>2PCS</p>

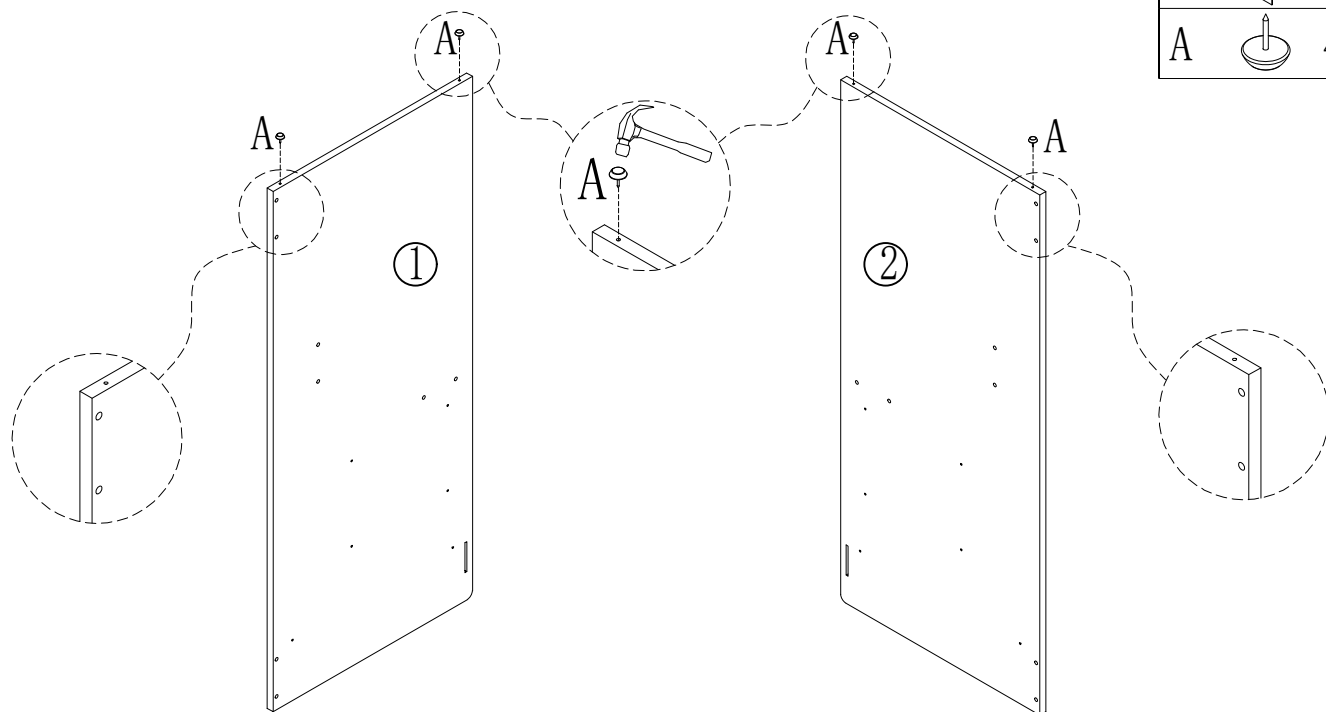
# ASSEMBLY INSTRUCTION

<p><b>F</b></p>  <p>M6*40</p> <p>50PCS</p>	<p><b>G</b></p>  <p>Ø15*9.3mm</p> <p>50PCS</p>	<p><b>H</b></p> <p>H1</p>  <p>H2</p>  <p>M4*16</p> <p>5PCS</p>	<p><b>I</b></p>  <p>1PCS</p>	<p><b>J</b></p>  <p>4PCS</p>
<p><b>K</b></p>  <p>M3.5*20</p> <p>4PCS</p>	<p><b>L</b></p>  <p>2PCS</p>	<p><b>M</b></p>  <p>M4*12</p> <p>4PCS</p>	<p><b>N</b></p>  <p>M3*14</p> <p>10PCS</p>	<p><b>O</b></p>  <p>2PCS</p>
<p><b>P</b></p> <p>P1</p>  <p>240mm</p> <p>P2</p>  <p>2PCS</p>	<p><b>Q</b></p> <p>Q1</p>  <p>290mm</p> <p>Q2</p>  <p>4PCS</p>	<p><b>R</b></p> <p>R1</p>  <p>340mm</p> <p>R2</p>  <p>2PCS</p>		
				

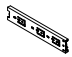


# ASSEMBLY INSTRUCTION

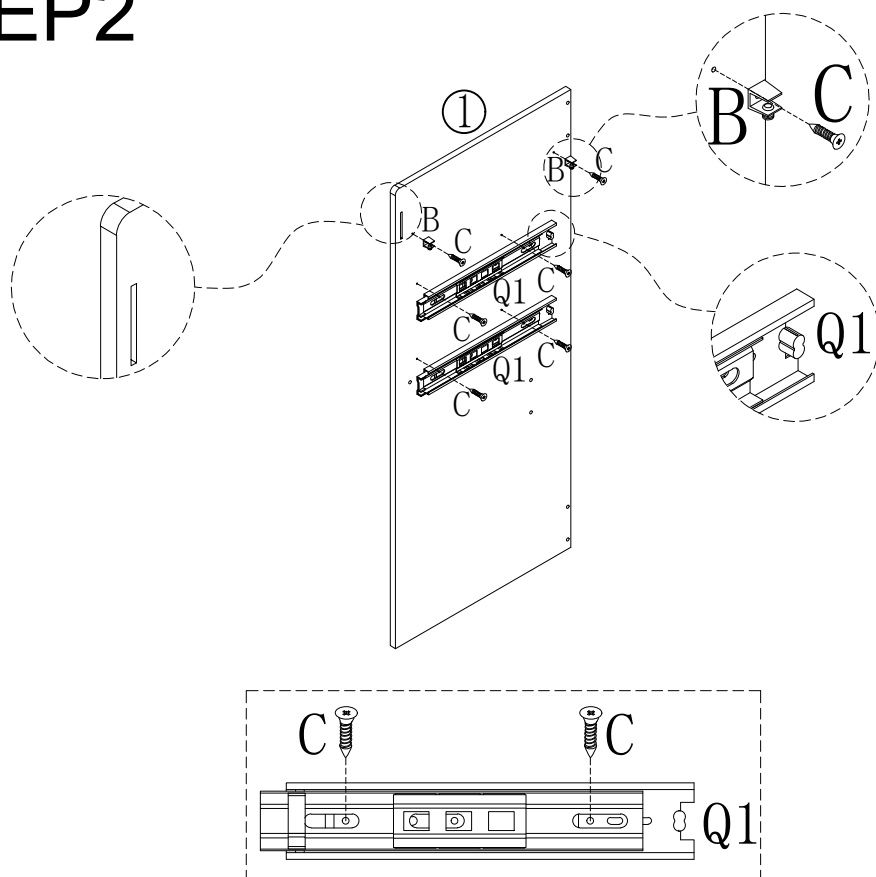
## STEP 1

1		1PCS
2		1PCS
A		4PCS



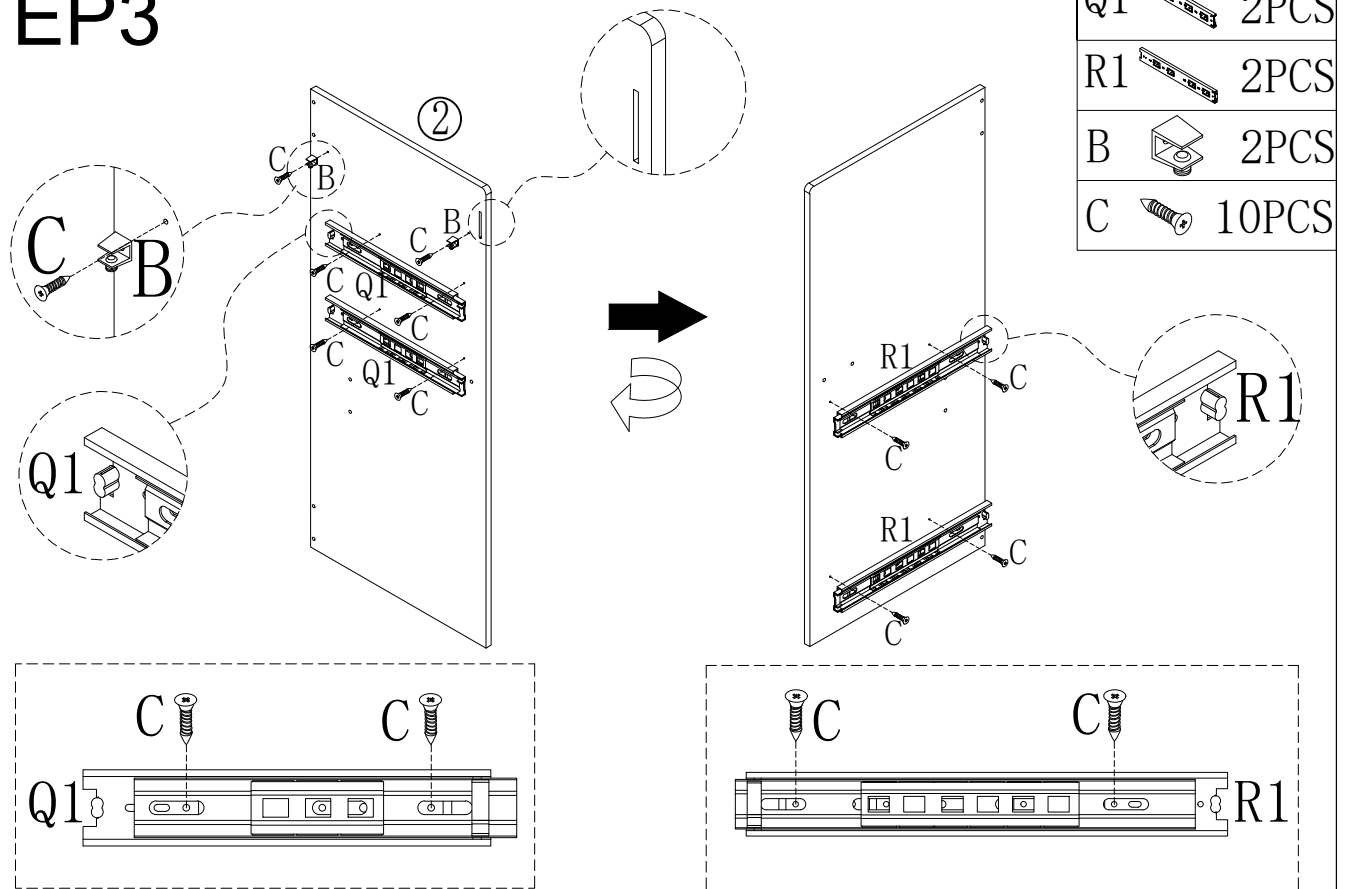
## STEP 2

Q1		2PCS
B		2PCS
C		6PCS

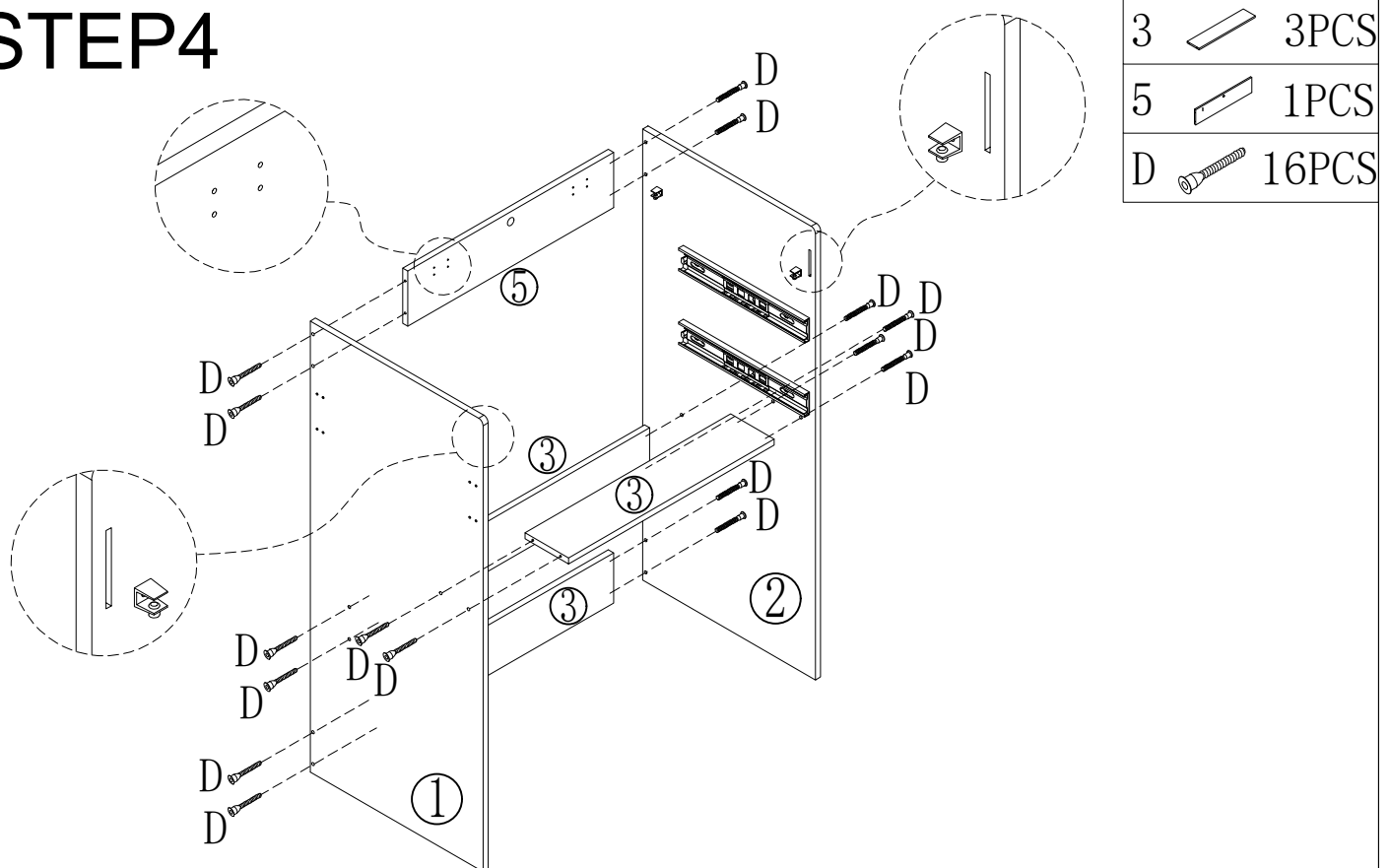


# ASSEMBLY INSTRUCTION

## STEP 3



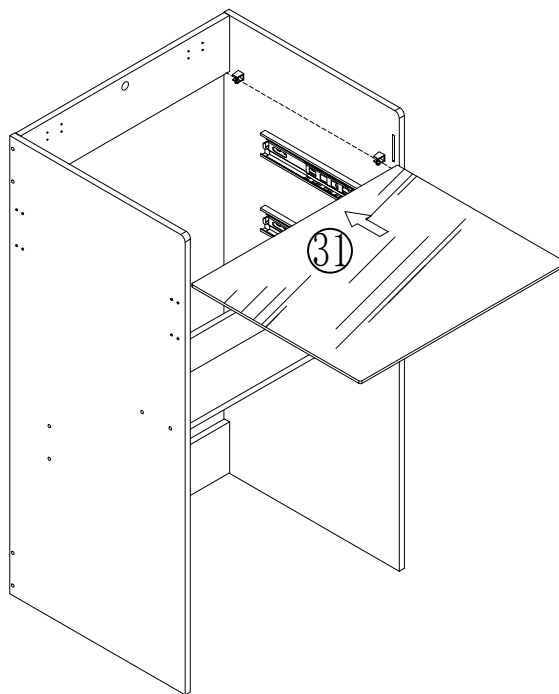
## STEP 4



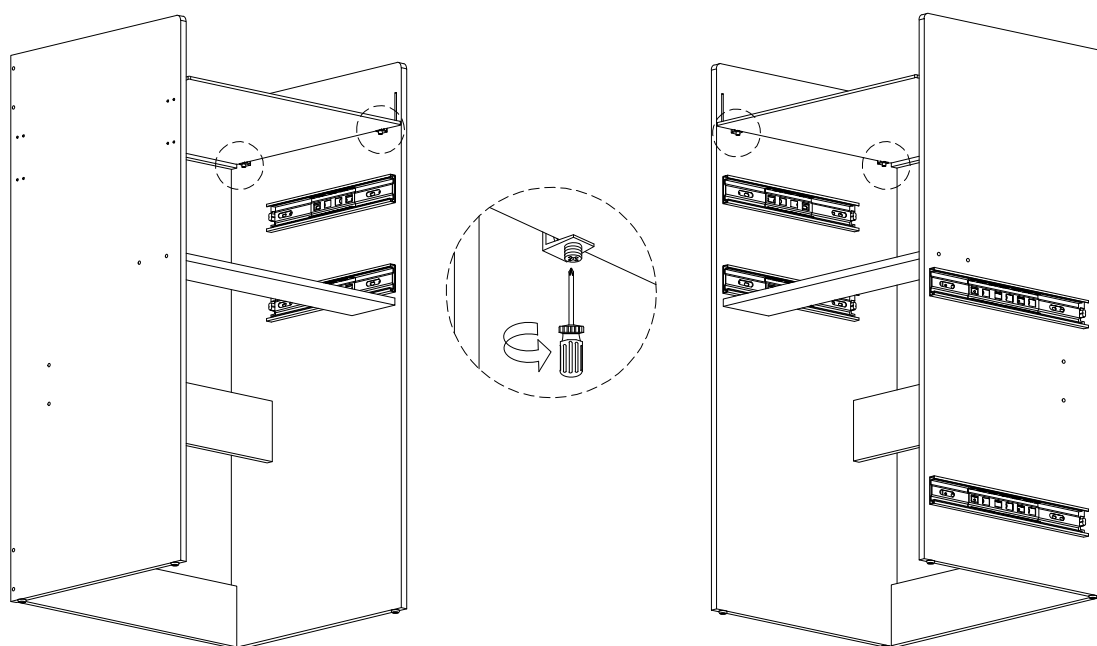
# ASSEMBLY INSTRUCTION

## STEP 5

31  1PCS




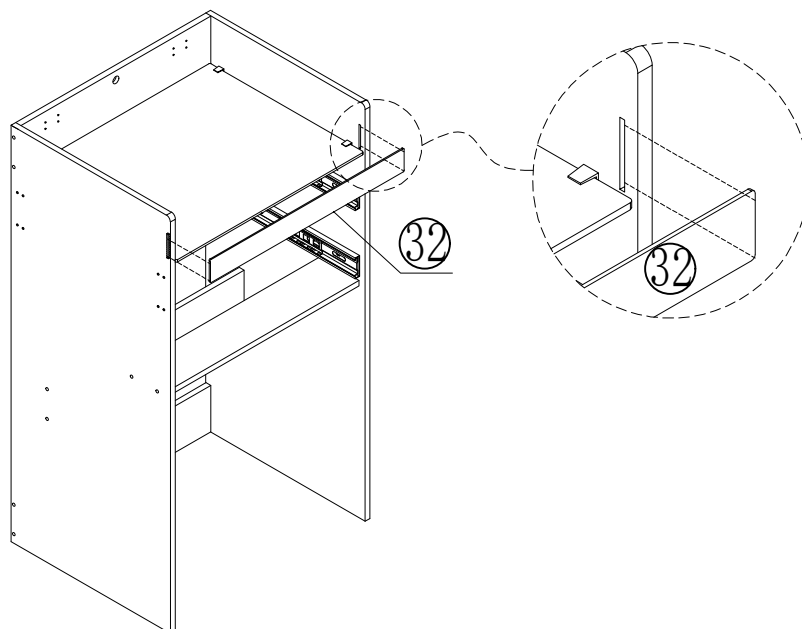
## STEP 6




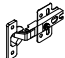

# ASSEMBLY INSTRUCTION

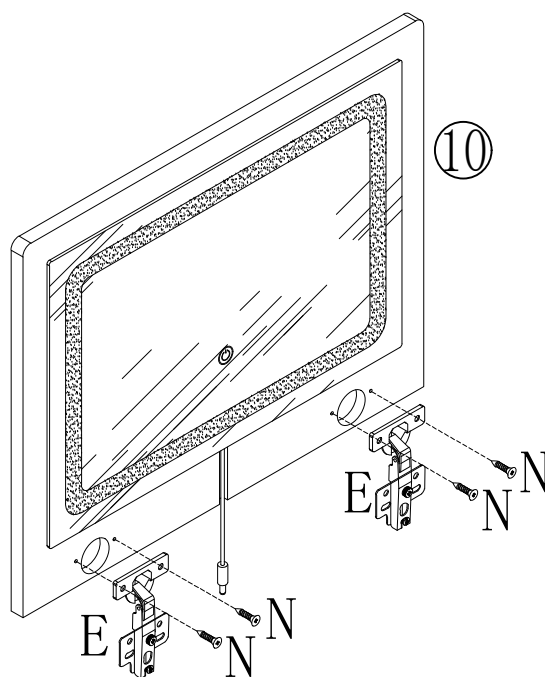
## STEP7

32  1PCS



## STEP8

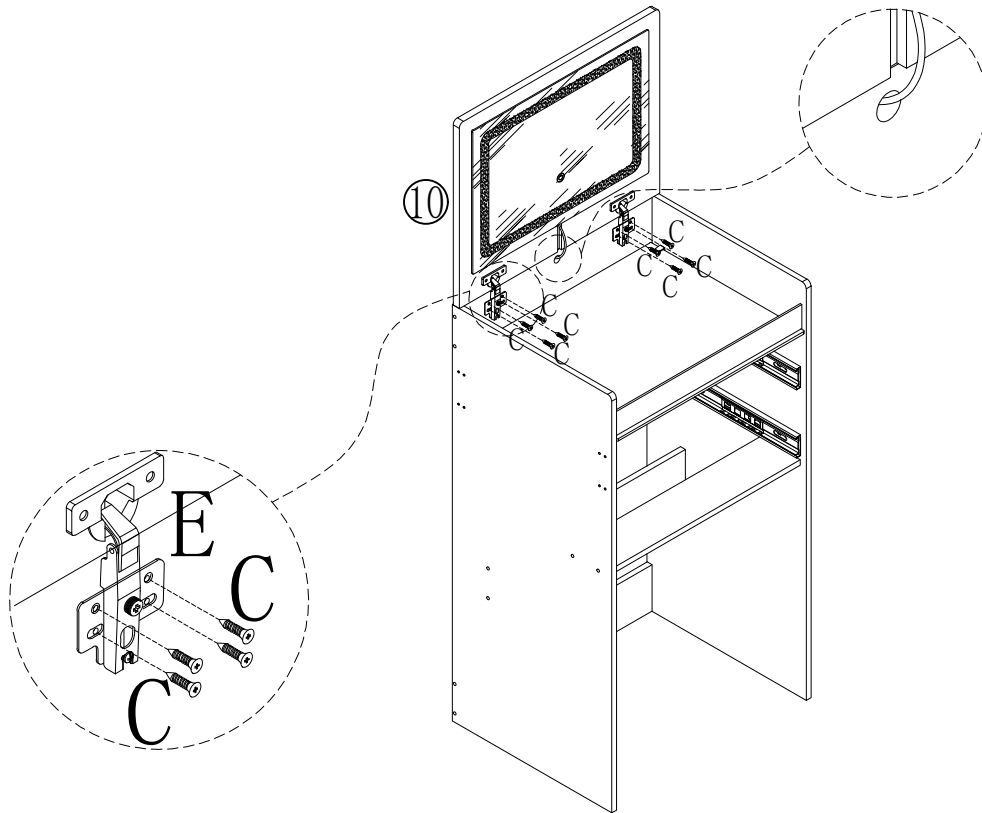
10  1PCS  
E  2PCS  
N  4PCS



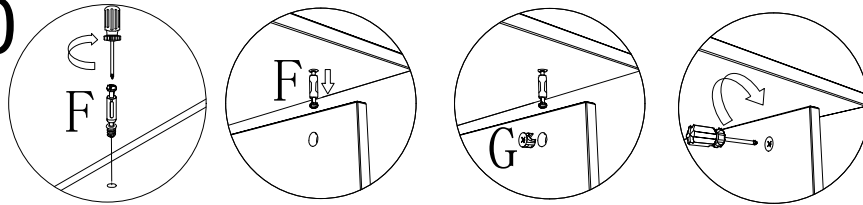
# ASSEMBLY INSTRUCTION

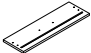
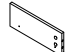
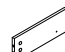



## STEP 9

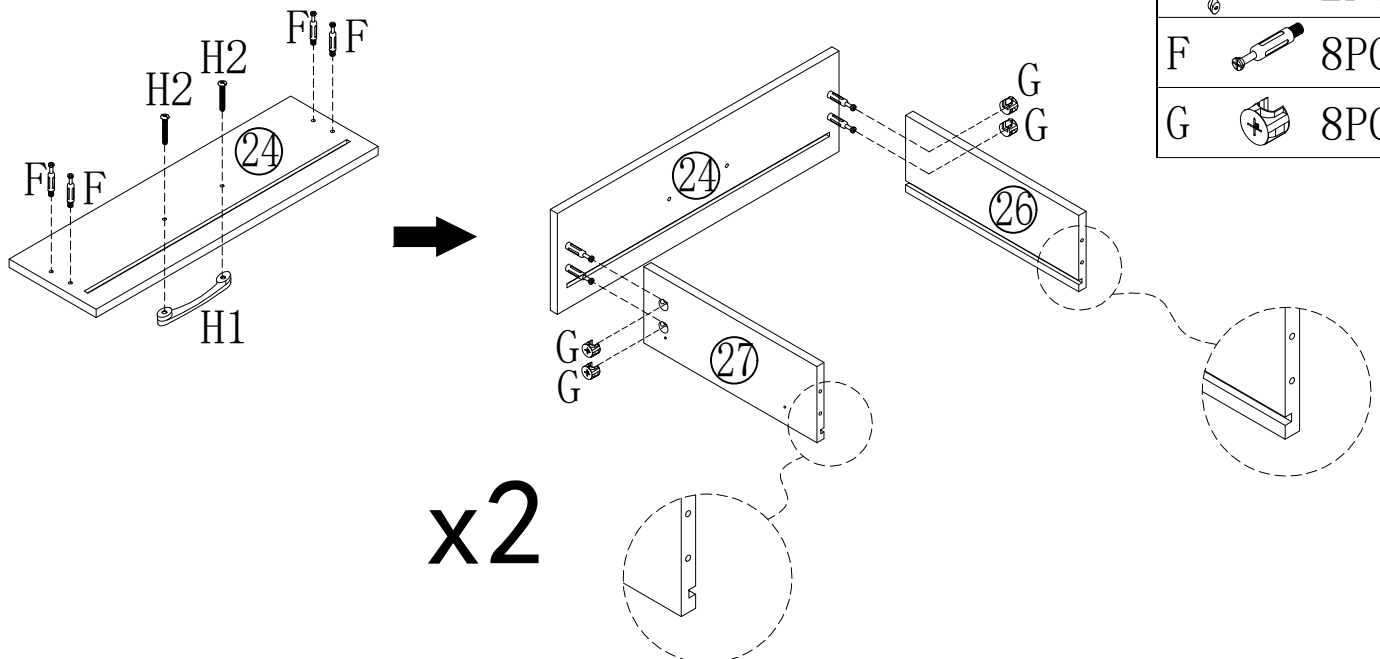
C  8PCS



## STEP 10


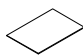



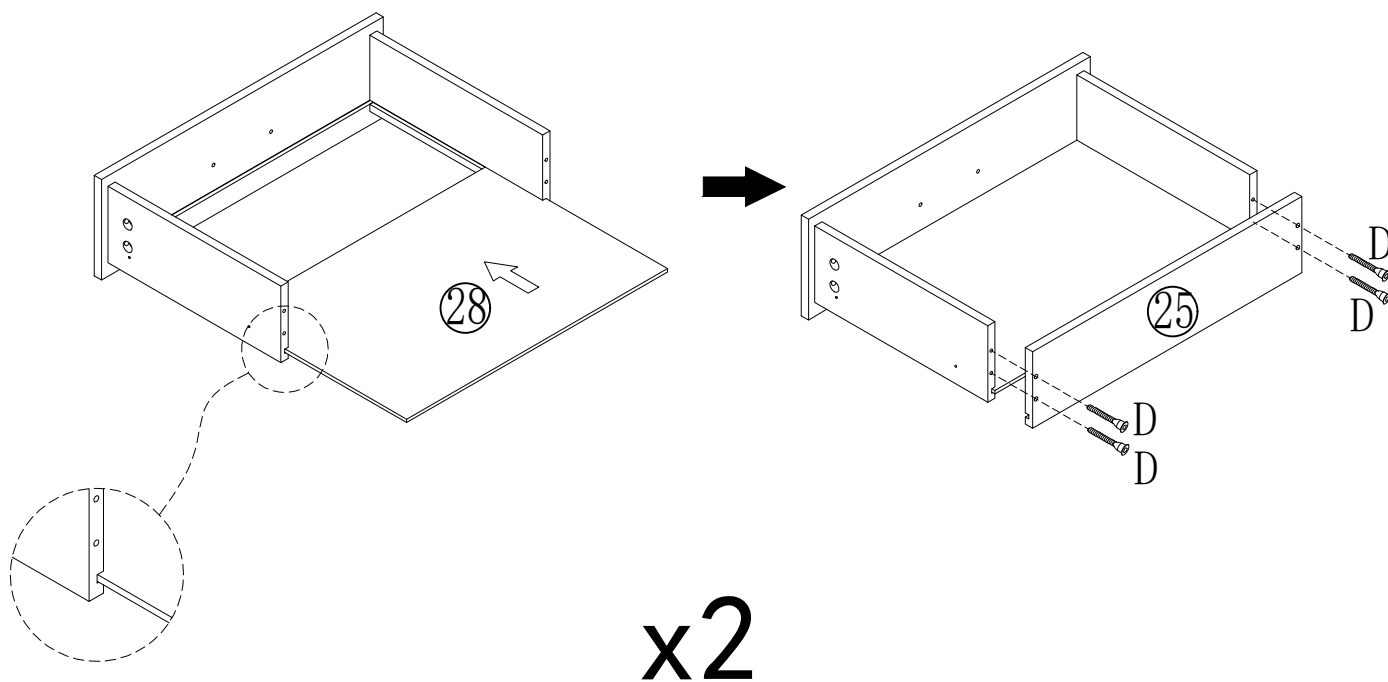
24		2PCS
26		2PCS
27		2PCS
H		2PCS
F		8PCS
G		8PCS



# ASSEMBLY INSTRUCTION

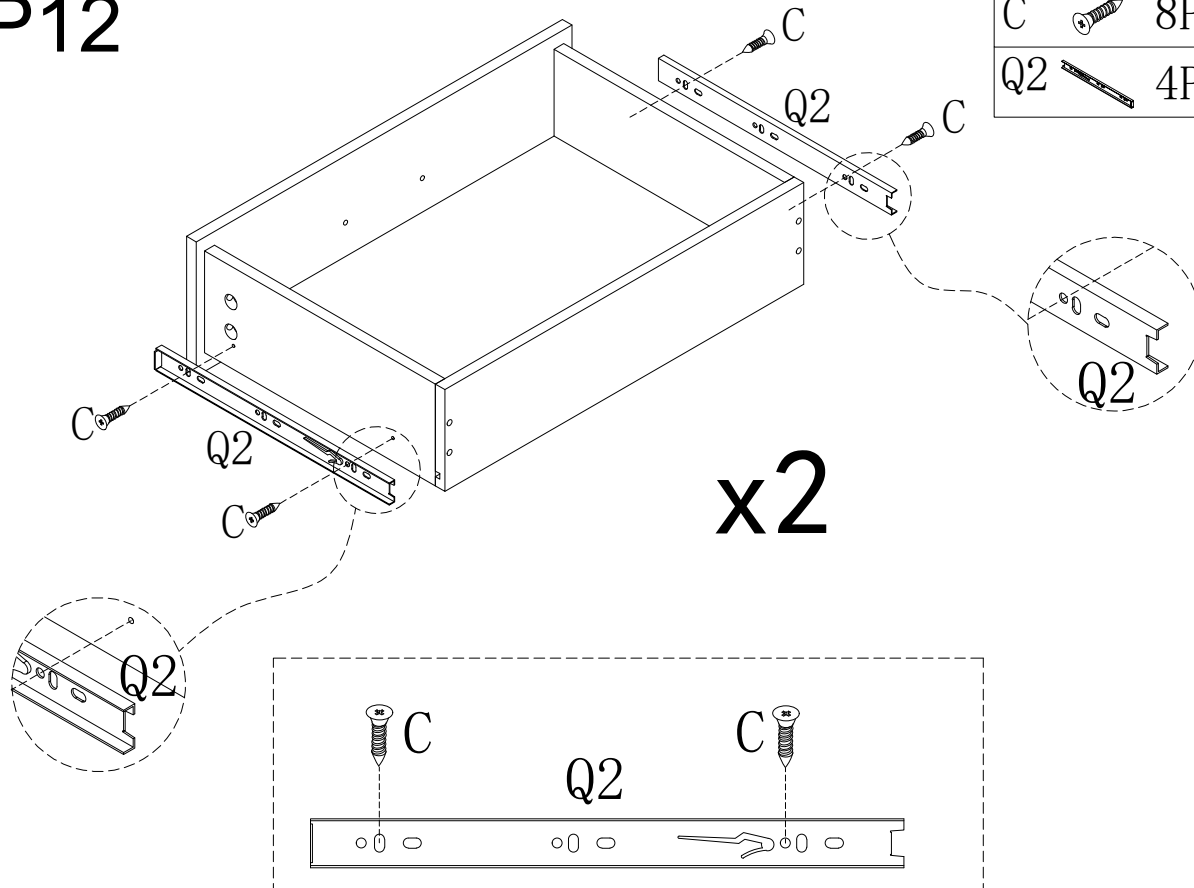
## STEP11

25		2PCS
28		2PCS
D		8PCS





## STEP12

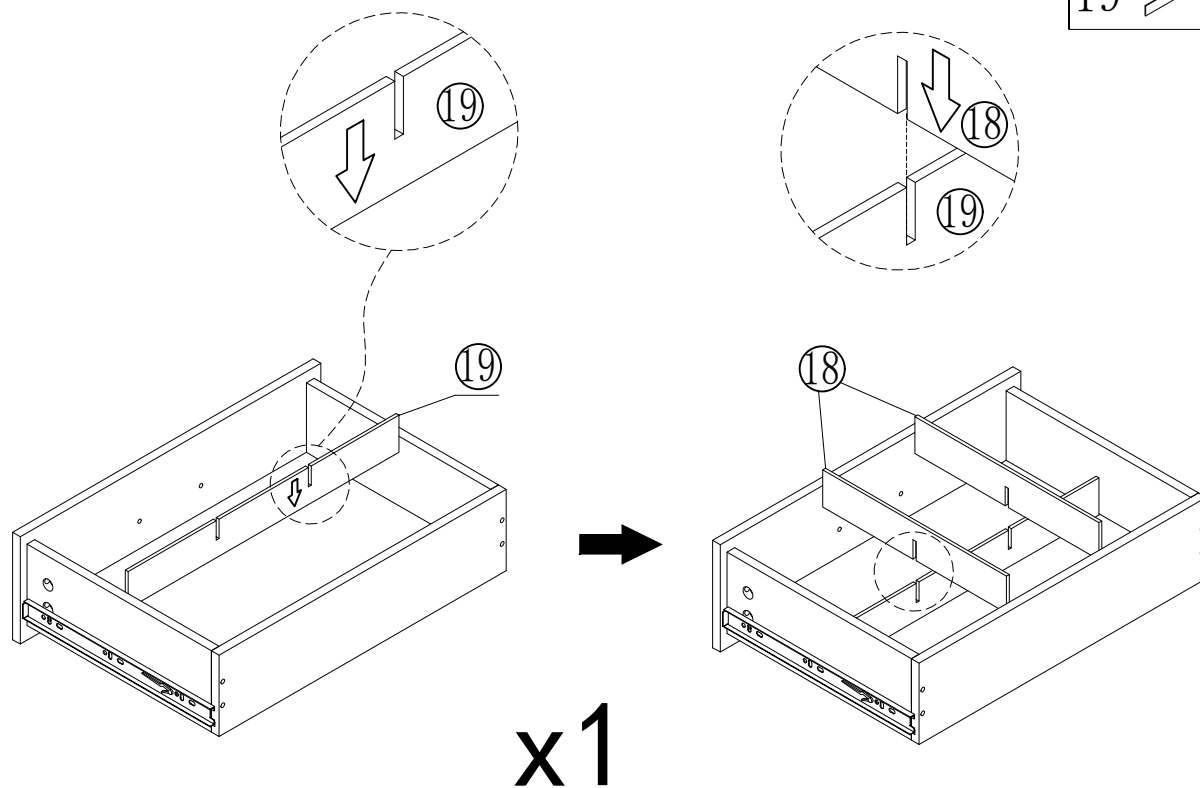
C		8PCS
Q2		4PCS



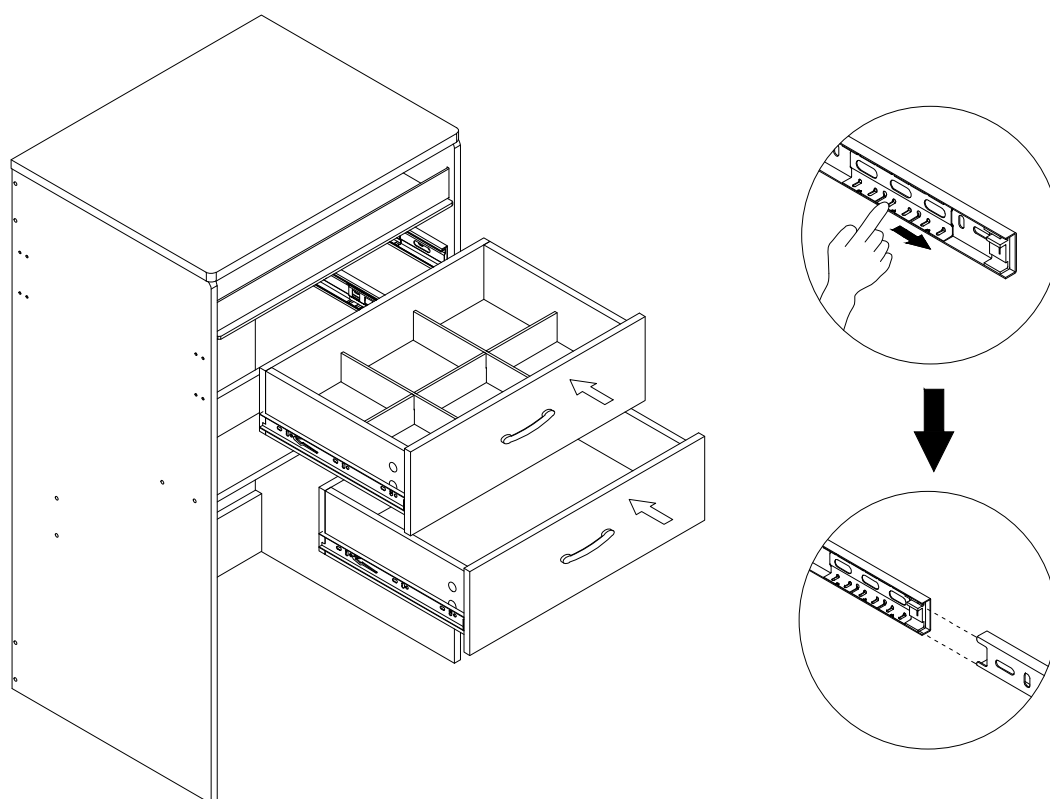
# ASSEMBLY INSTRUCTION

## STEP13

18		2PCS
19		1PCS






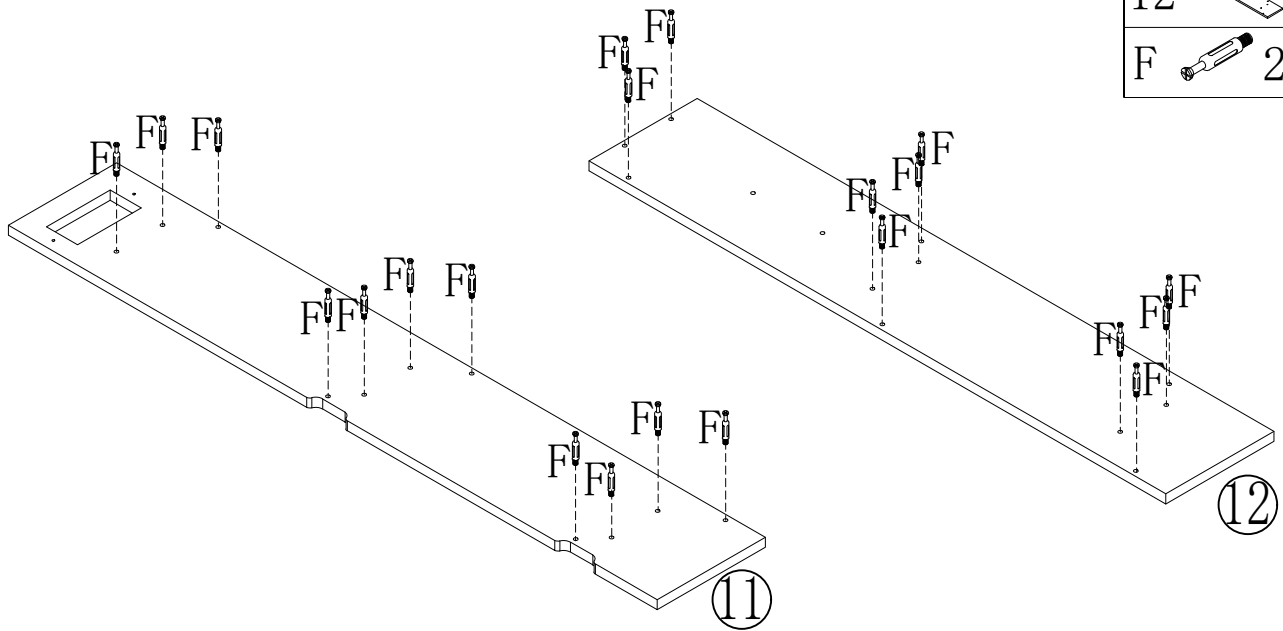
## STEP14



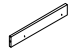
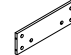


# ASSEMBLY INSTRUCTION

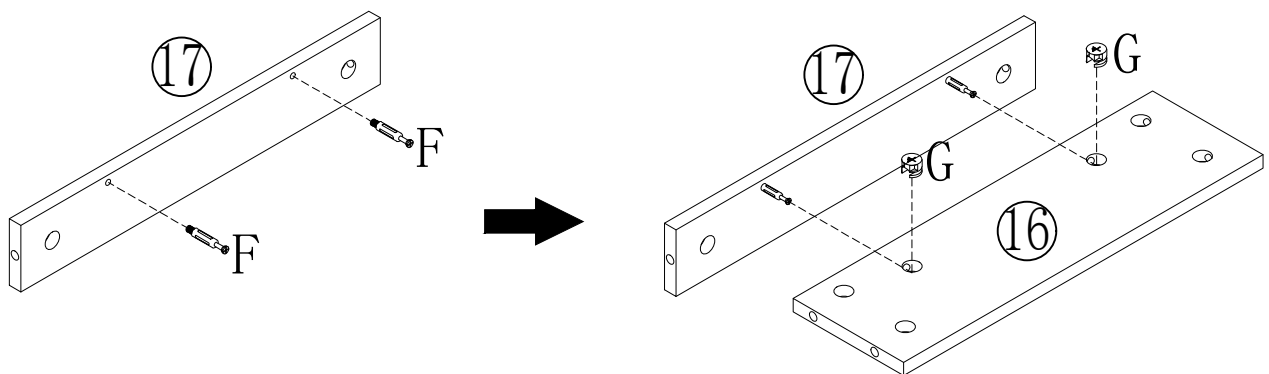
## STEP 15

11		1PCS
12		1PCS
F		22PCS



## STEP 16

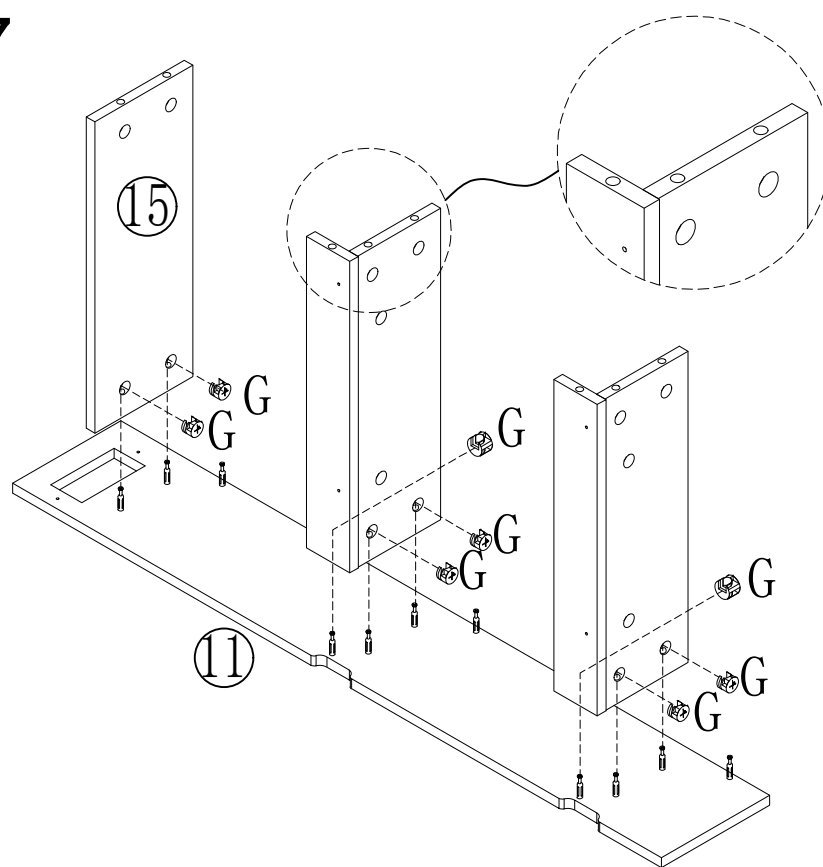
17		2PCS
16		2PCS
F		4PCS
G		4PCS



x2

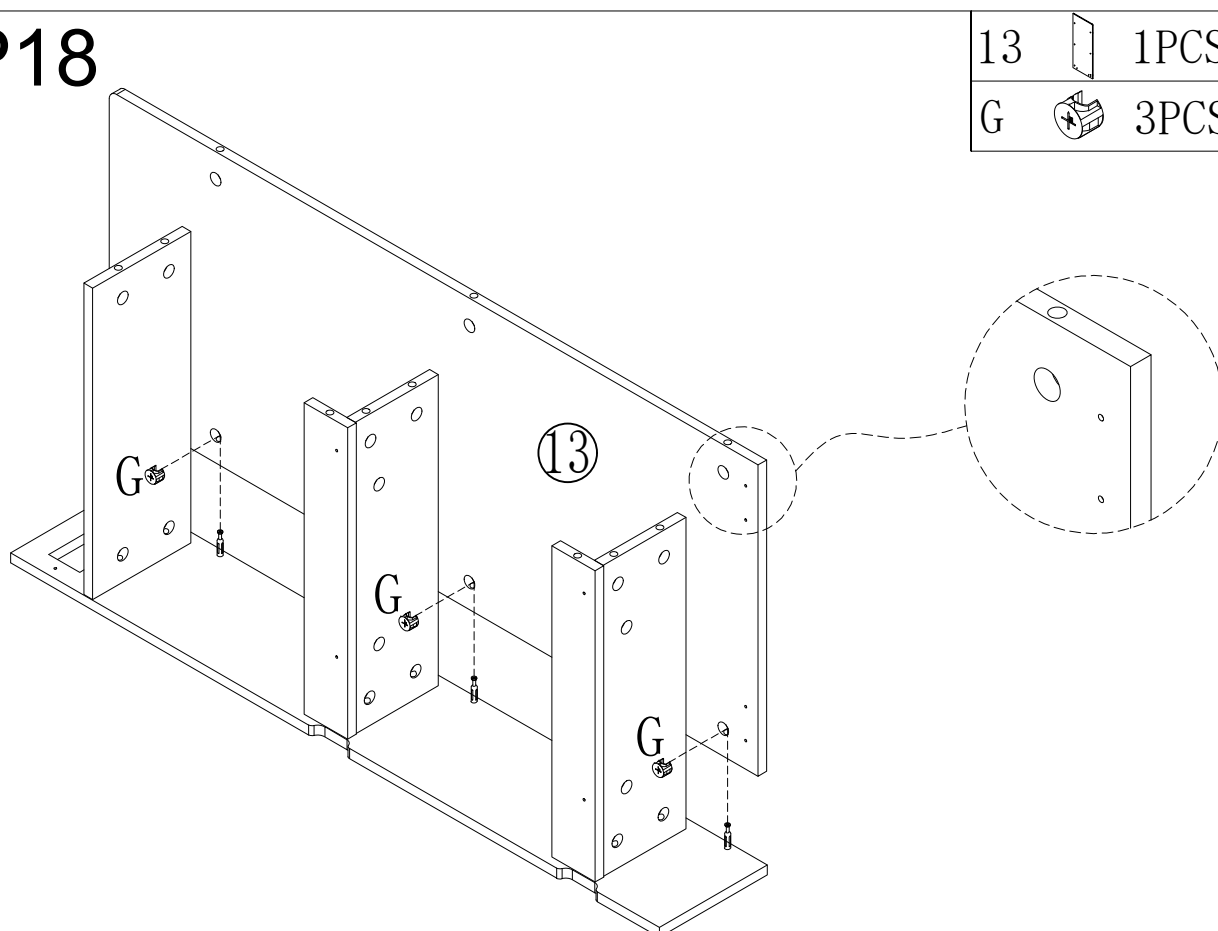
# ASSEMBLY INSTRUCTION

## STEP17



15		1PCS
G		8PCS


## STEP18

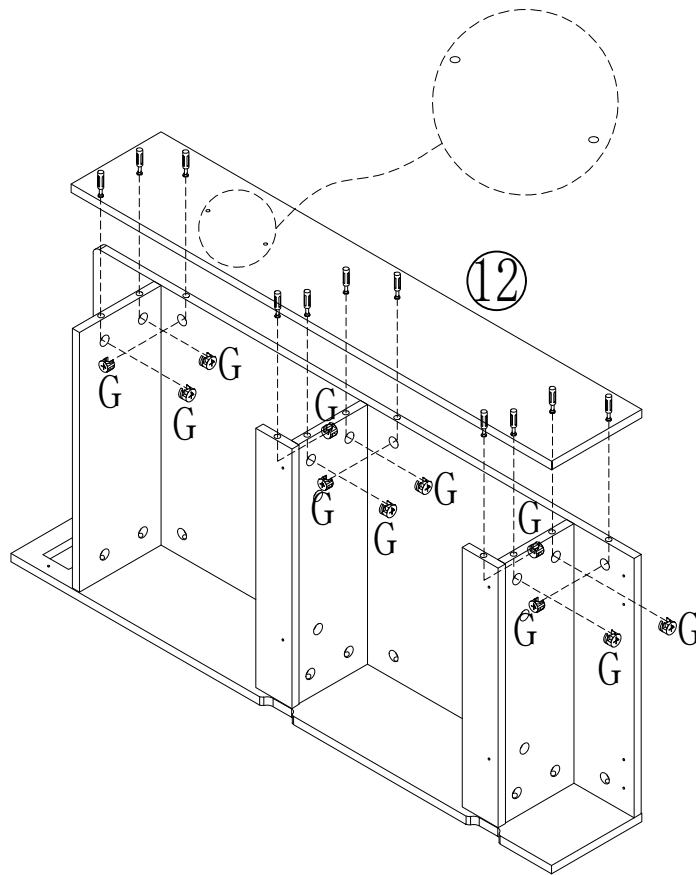


13		1PCS
G		3PCS





# ASSEMBLY INSTRUCTION

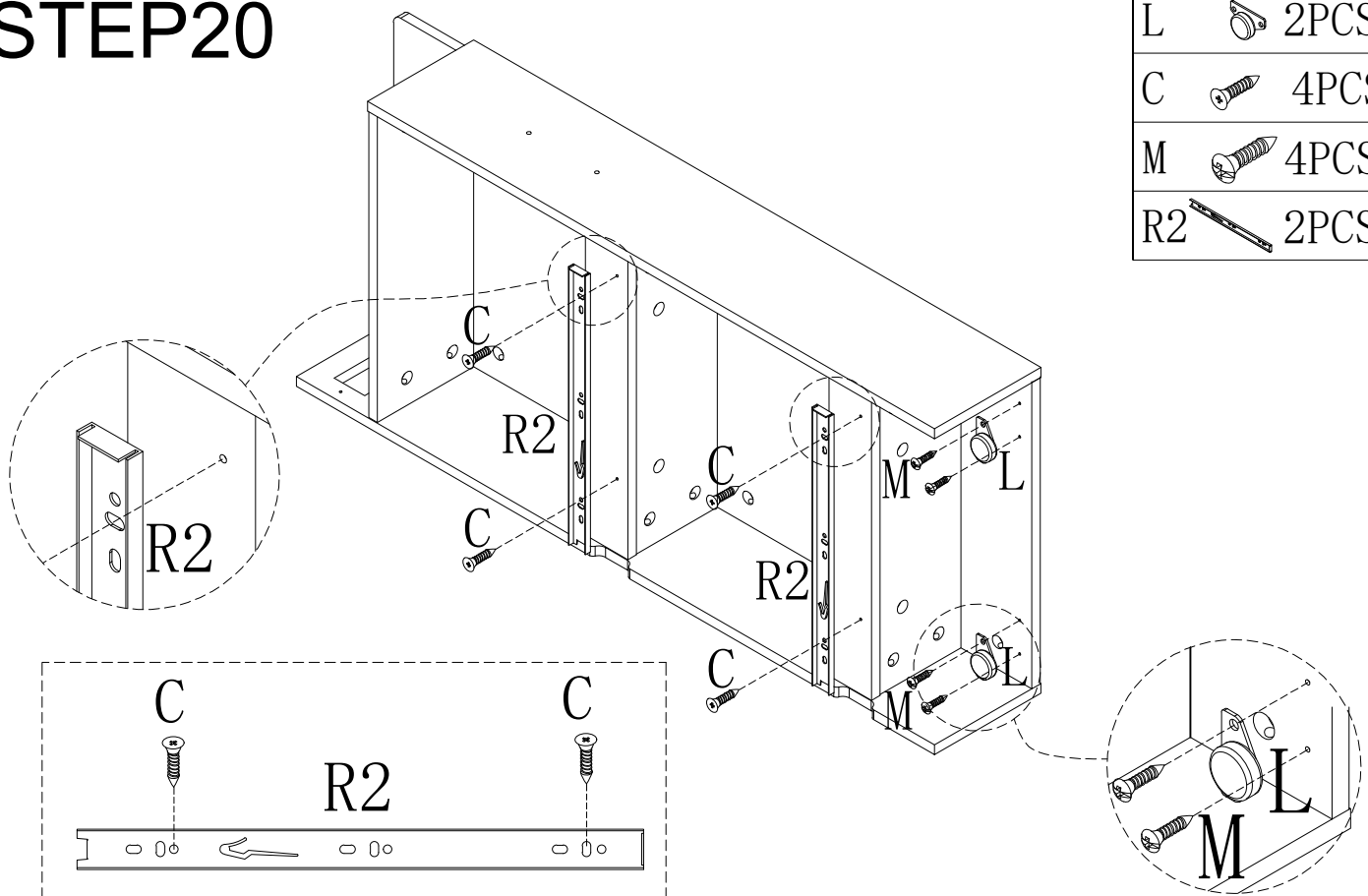
## STEP19

G  11PCS



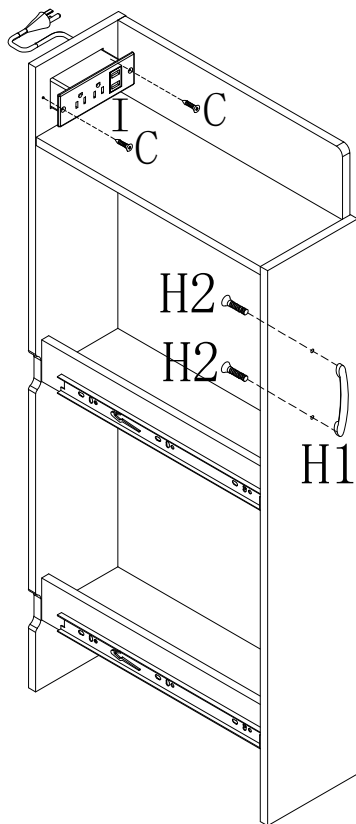
## STEP20




L  2PCS  
 C  4PCS  
 M  4PCS  
 R2  2PCS



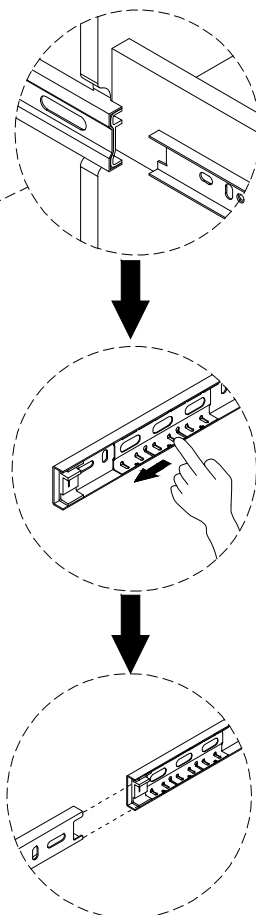
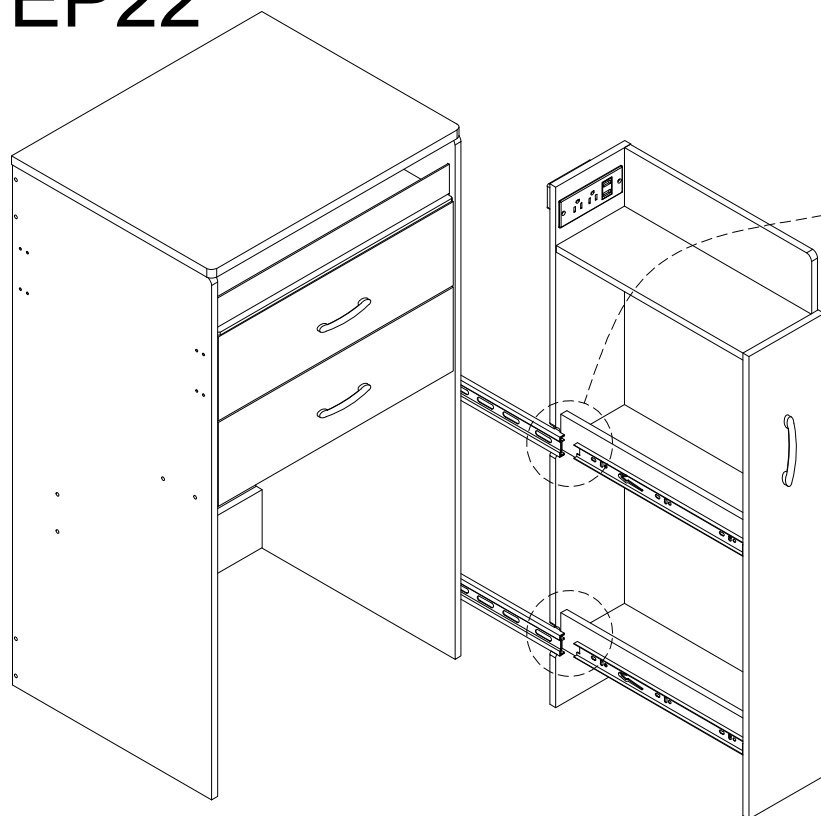
# ASSEMBLY INSTRUCTION

## STEP21




H		1PCS
C		2PCS
I		1PCS

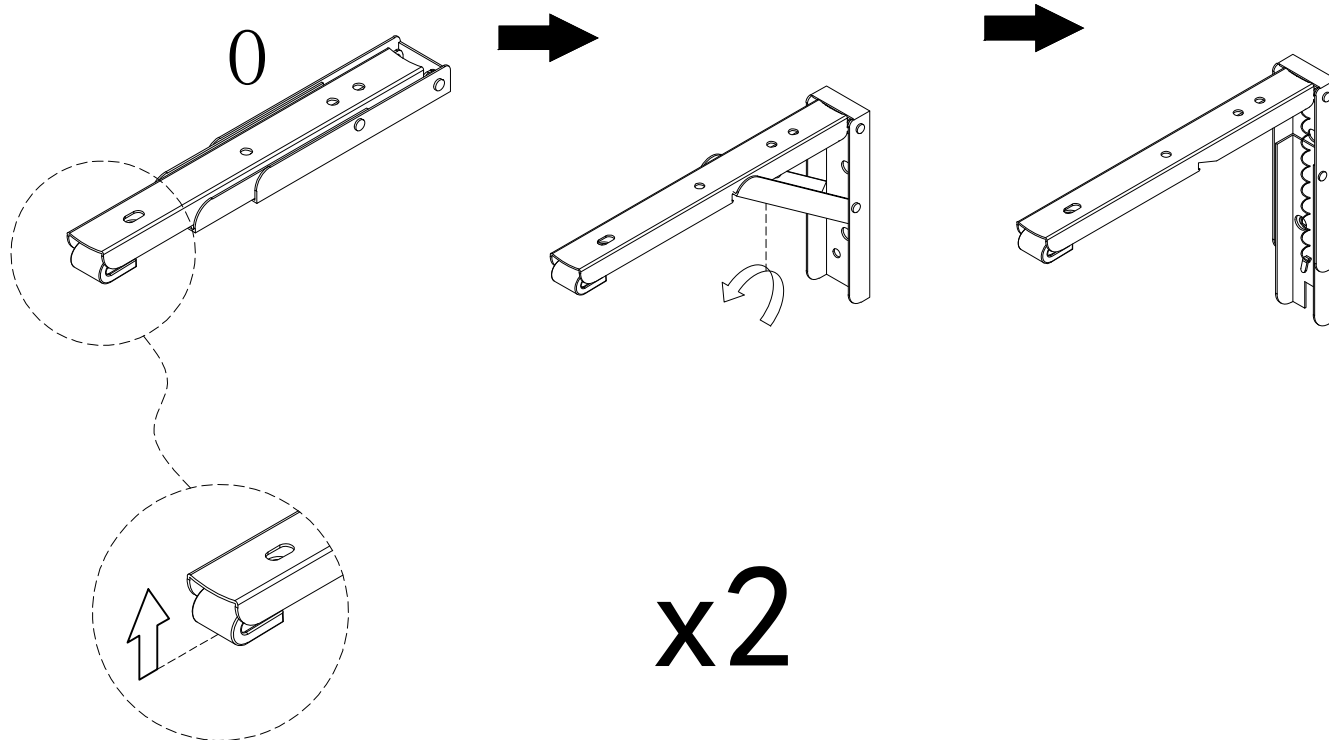
## STEP22



# ASSEMBLY INSTRUCTION

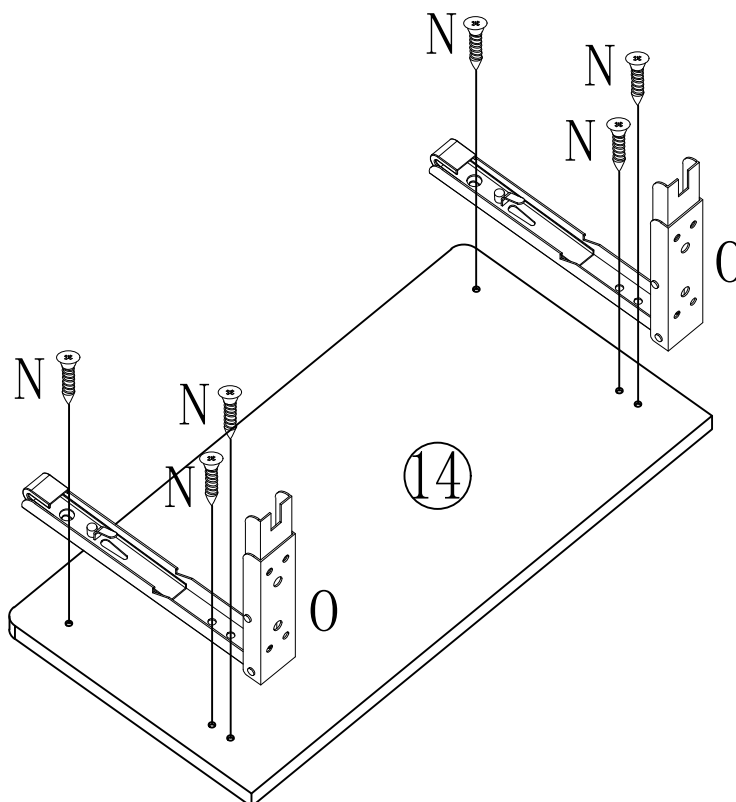
## STEP23

0  2PCS



## STEP24

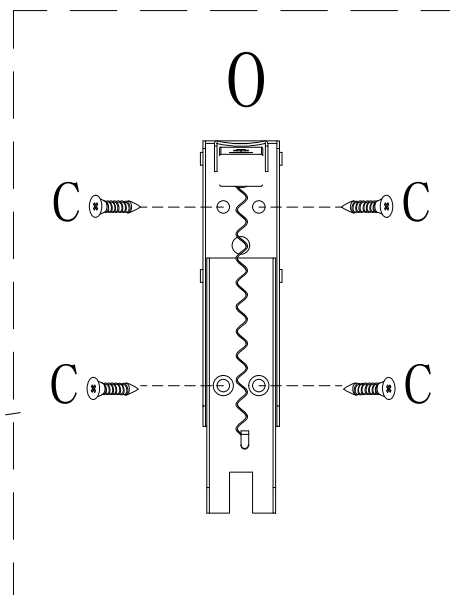
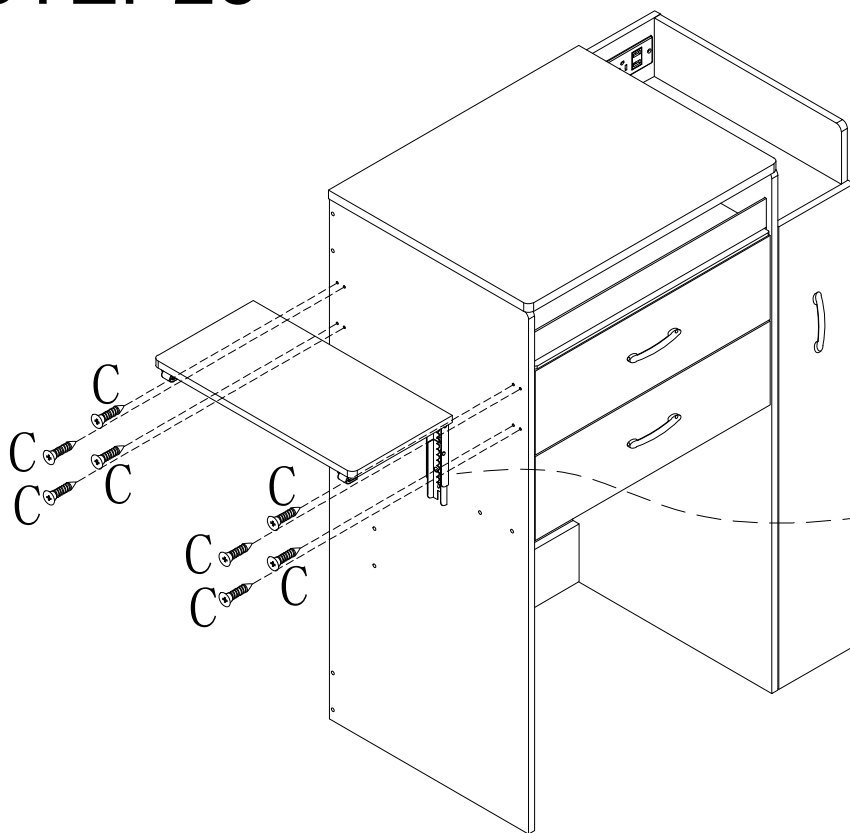
N  6PCS



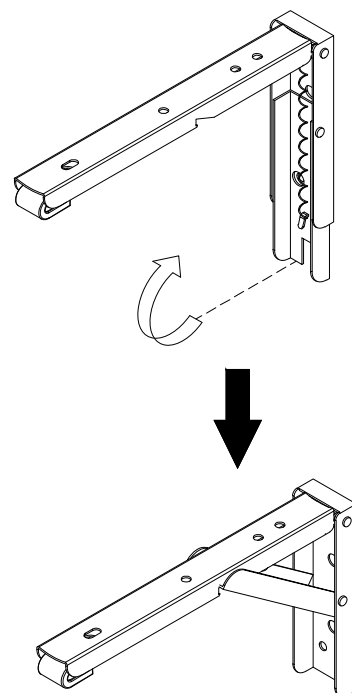
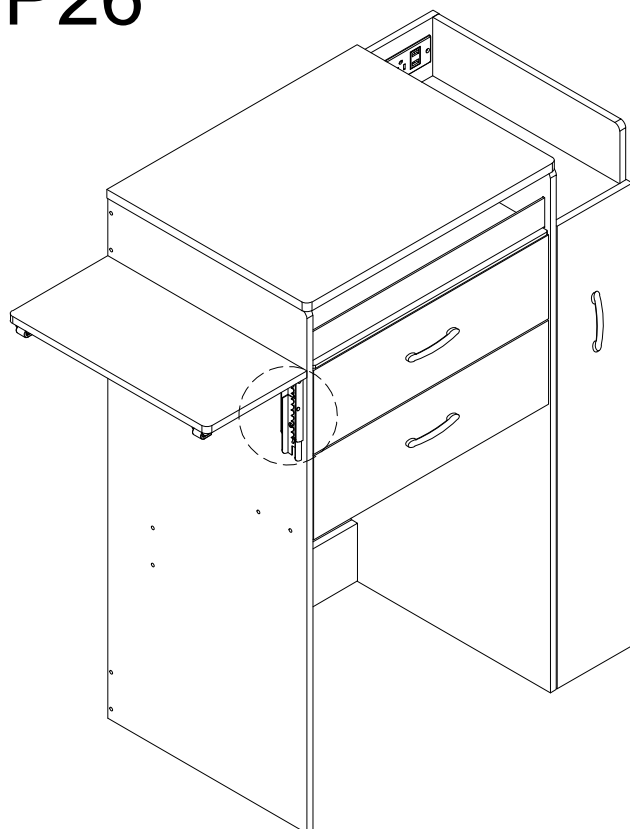
# ASSEMBLY INSTRUCTION

## STEP25

C  8PCS



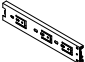



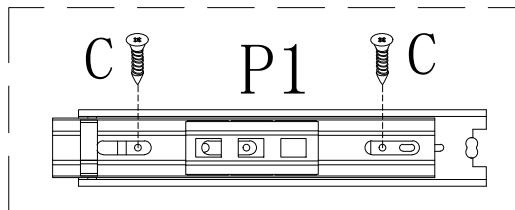
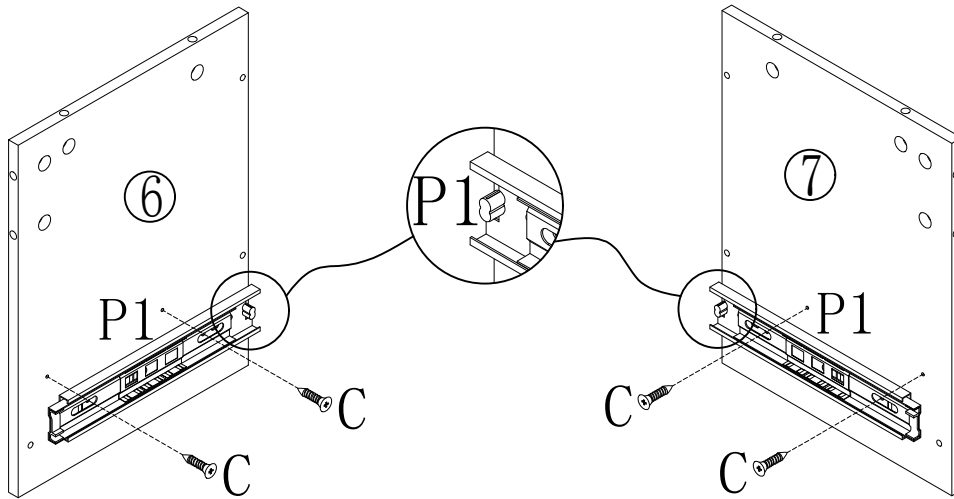
## STEP26





# ASSEMBLY INSTRUCTION

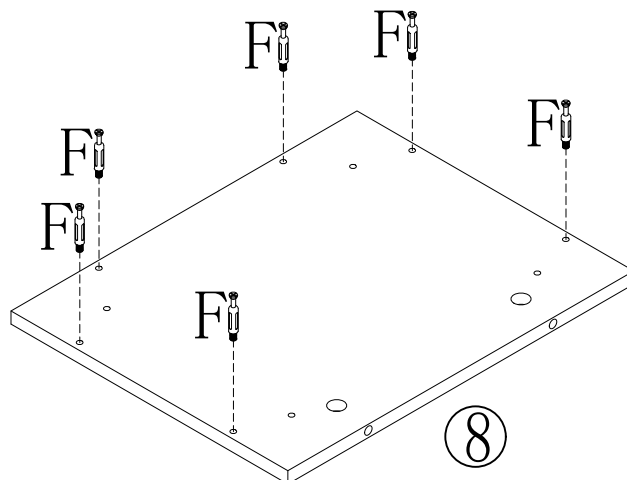
## STEP27

6		1PCS
7		1PCS
P1		2PCS
C		4PCS




## STEP28

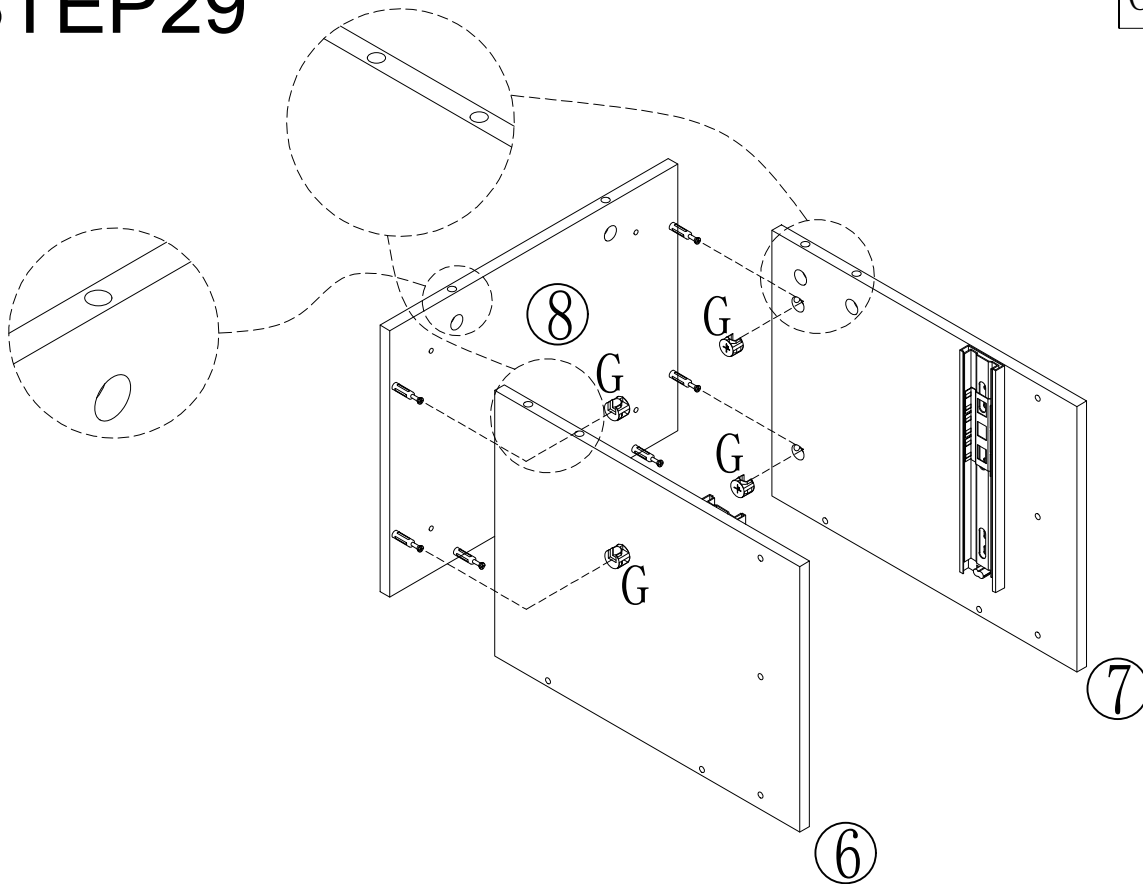
8		1PCS
F		6PCS









# ASSEMBLY INSTRUCTION

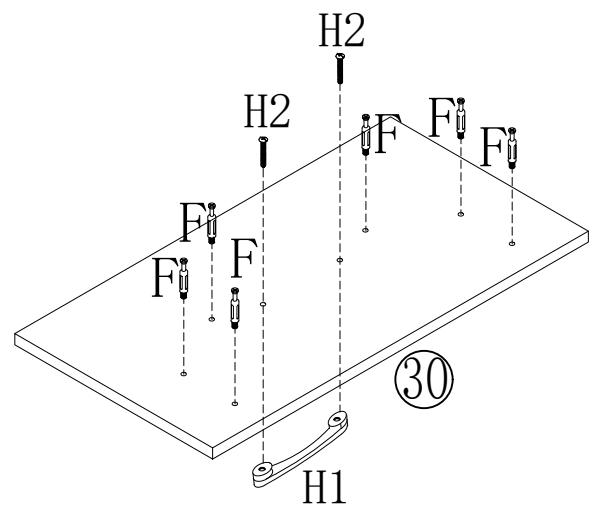
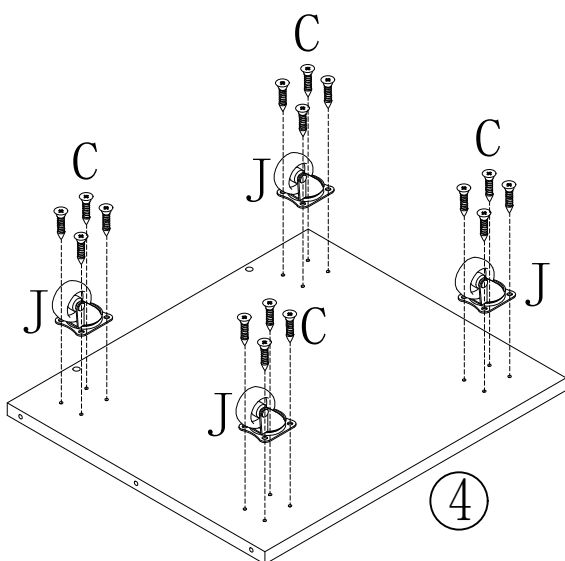
## STEP29

G  4PCS



## STEP30

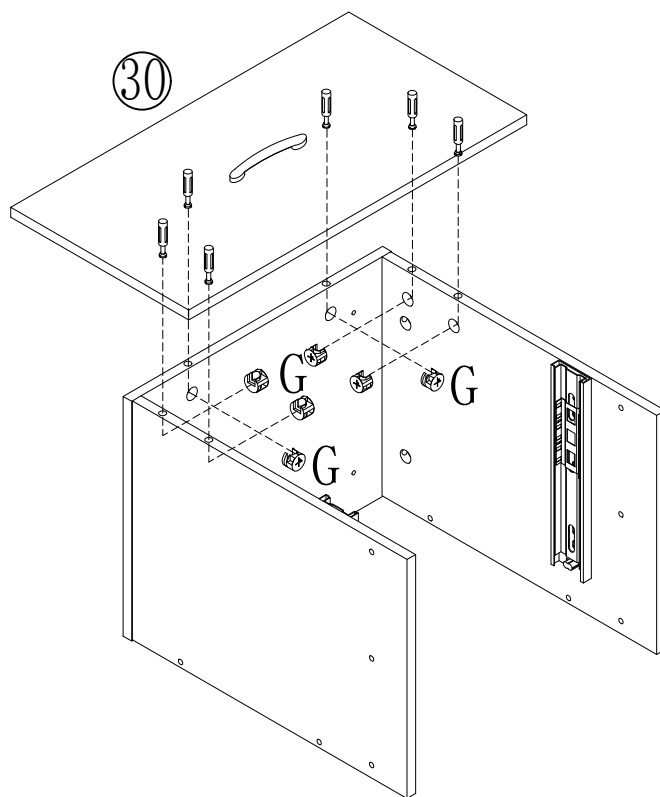
4		1PCS	H		1PCS
30		1PCS	C		16PCS
F		6PCS	J		4PCS



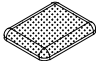

# ASSEMBLY INSTRUCTION

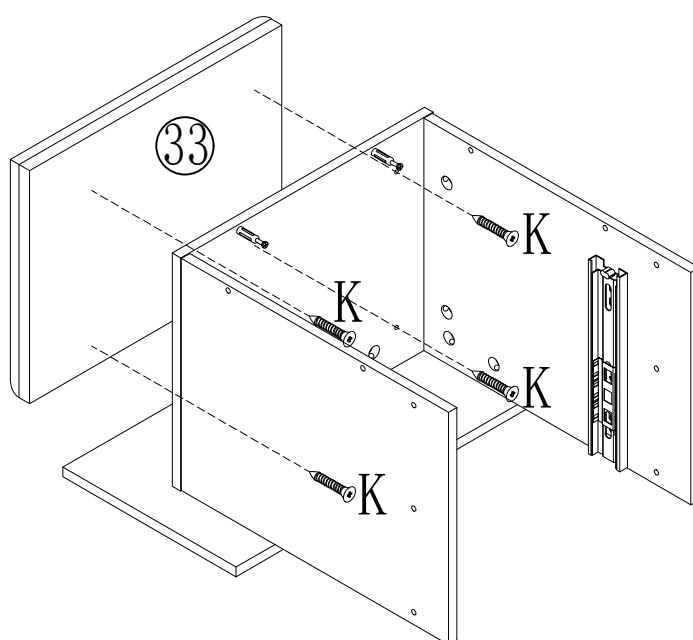
## STEP31

G  6PCS



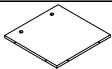


## STEP32

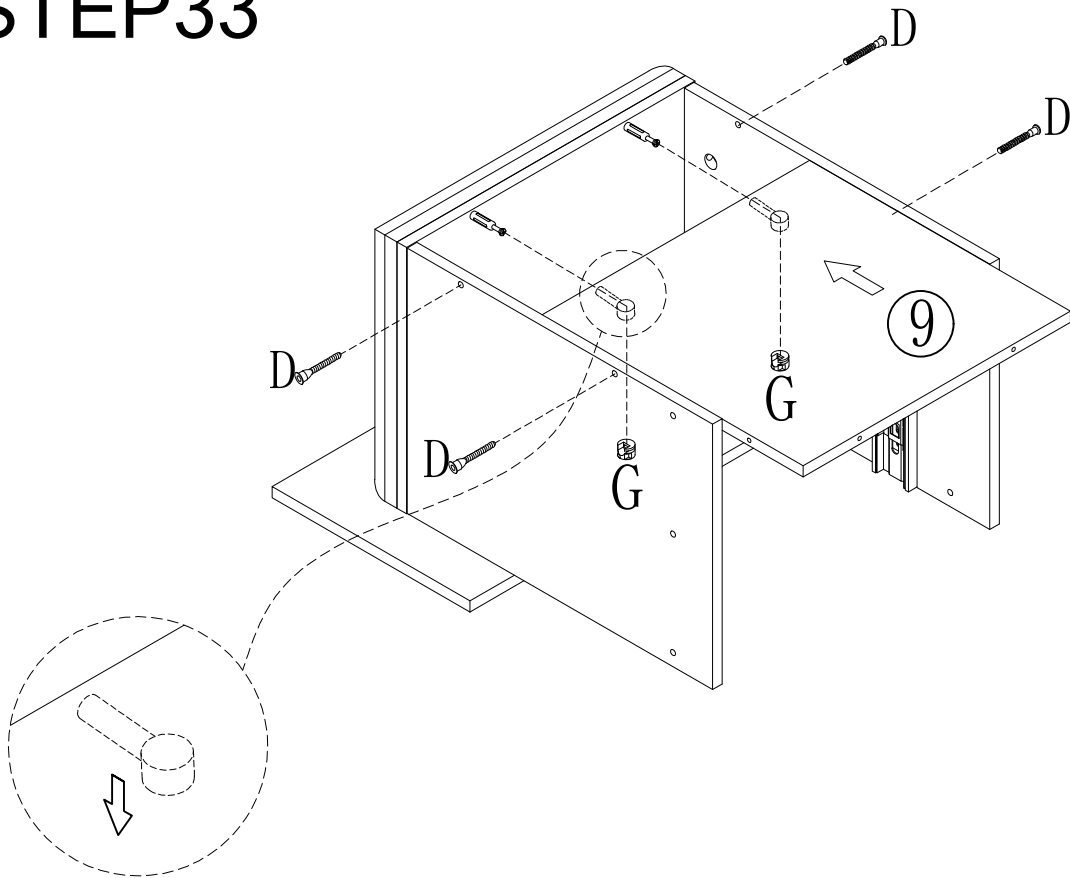
33  1PCS  
K  4PCS



# ASSEMBLY INSTRUCTION

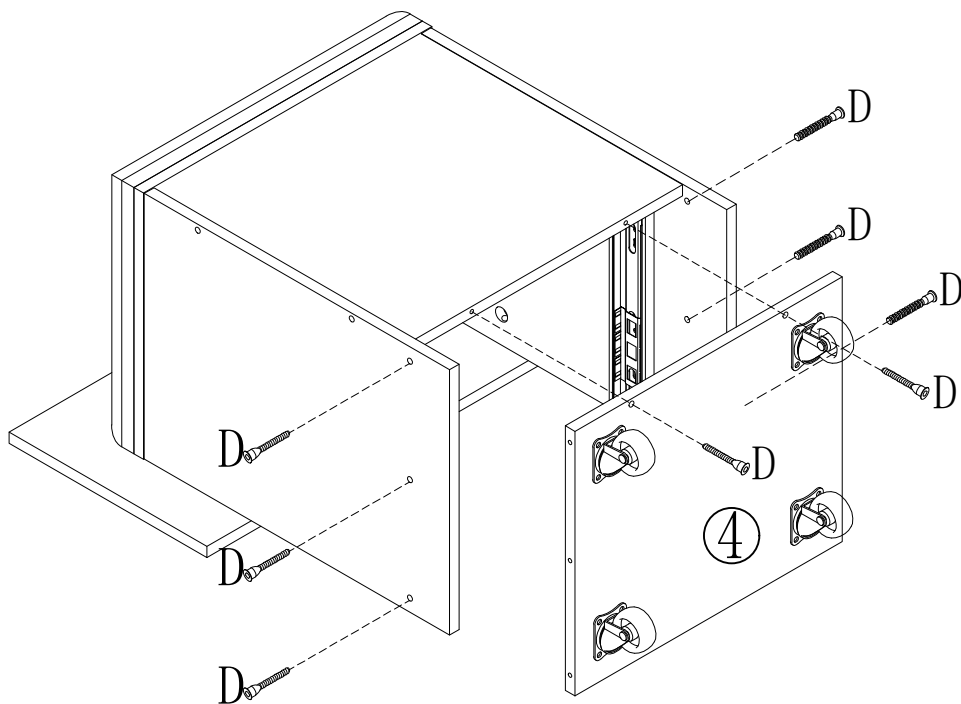
## STEP33

9		1PCS
D		4PCS
G		2PCS




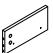



## STEP34

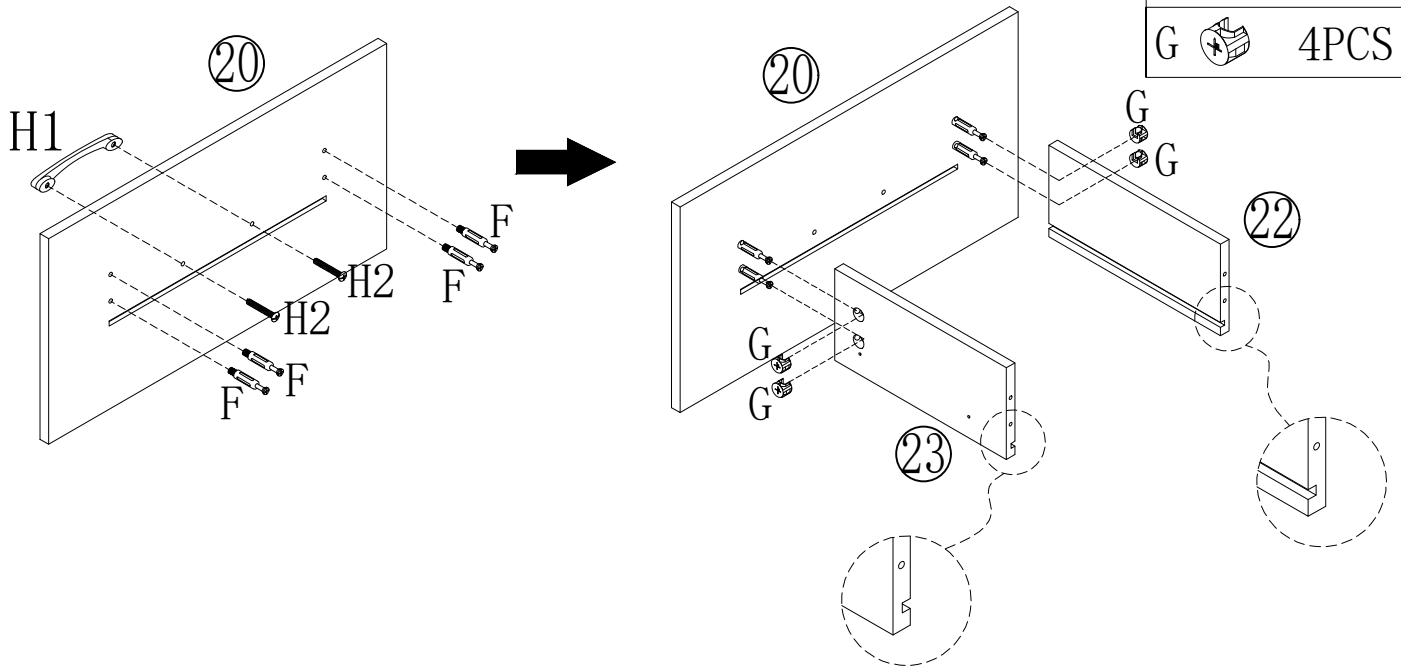
D		8PCS
---	---	------



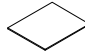
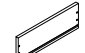

# ASSEMBLY INSTRUCTION

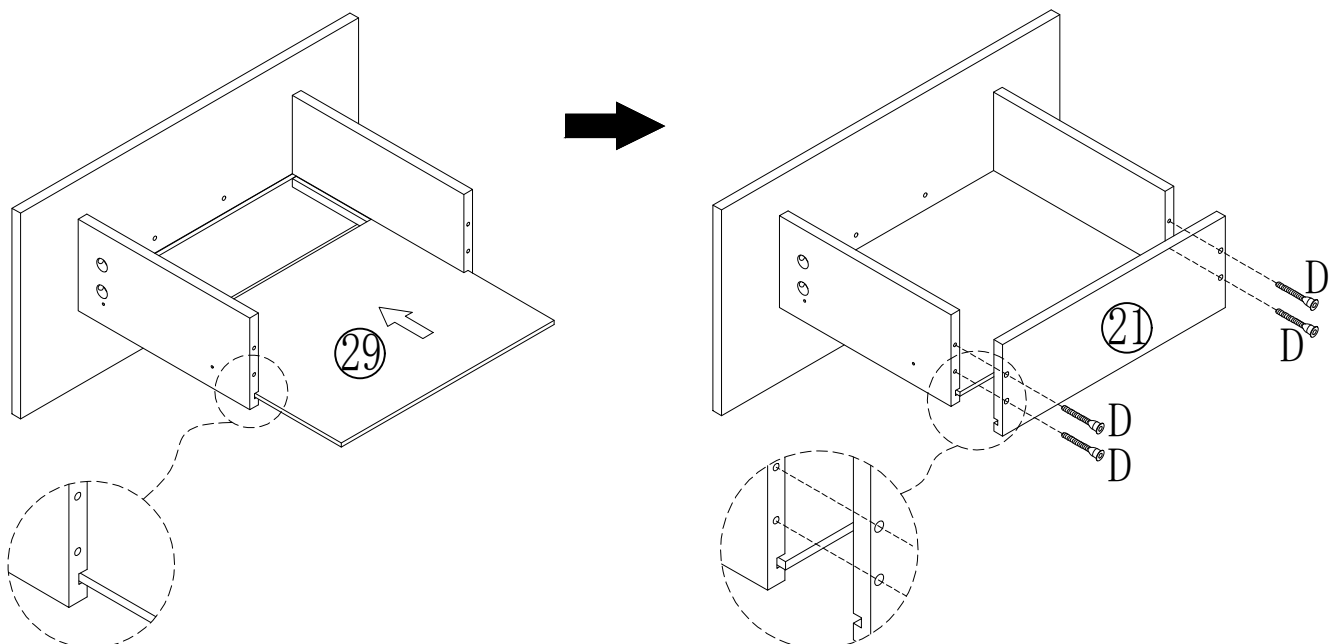
## STEP35

22		1PCS
23		1PCS
H		1PCS
F		4PCS
G		4PCS




## STEP36

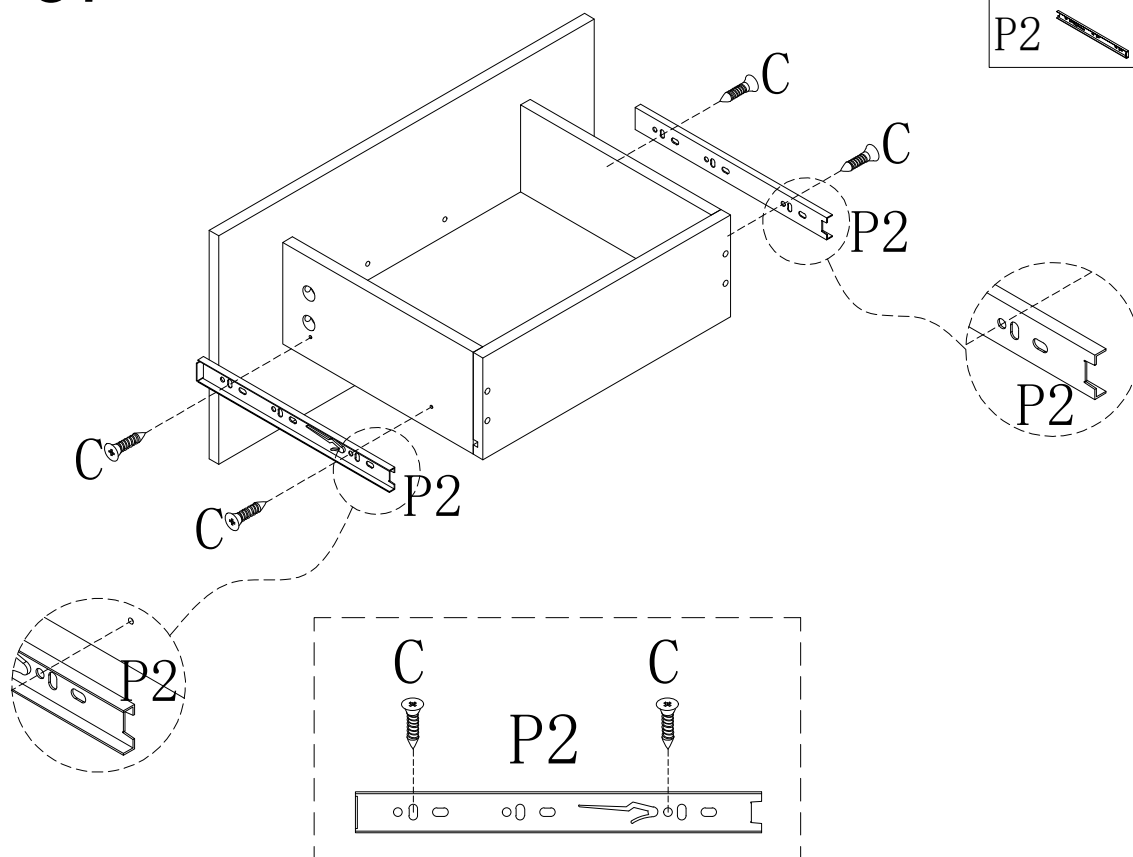
29		1PCS
21		1PCS
D		4PCS



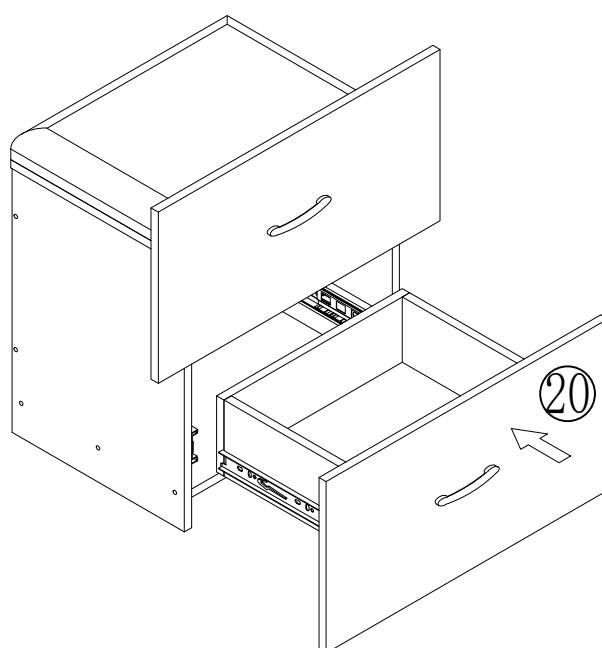
# ASSEMBLY INSTRUCTION

## STEP37

C		4PCS
P2		2PCS



## STEP38



# ASSEMBLY INSTRUCTION

## STEP 39

