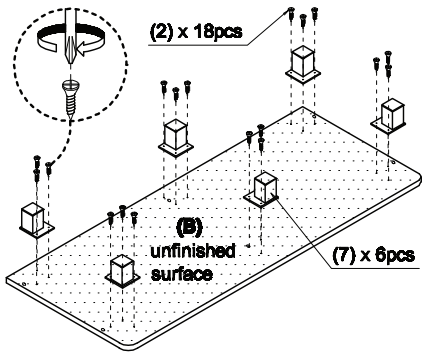


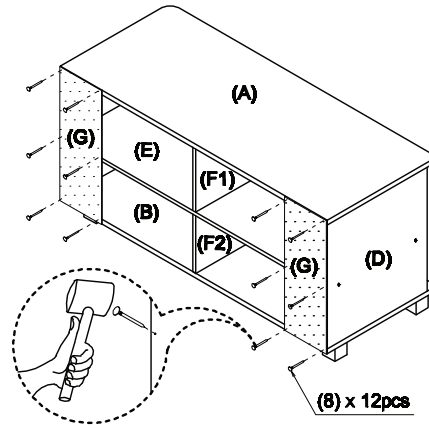
STEP 4

Install Square Leg(7) to Panel (B) using Screw(2).



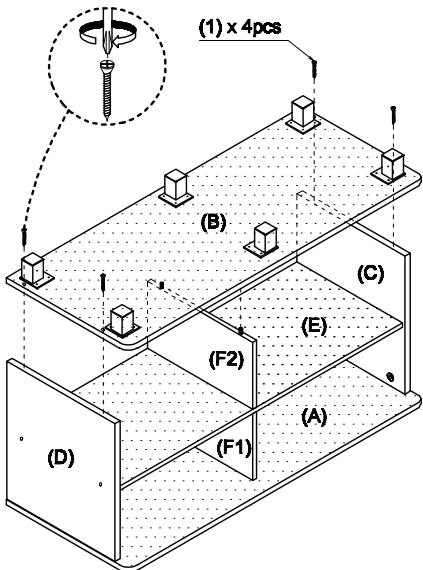
STEP 6

Upright the unit and fix Panel (G) to the back of assembled unit using Power Pin(8).



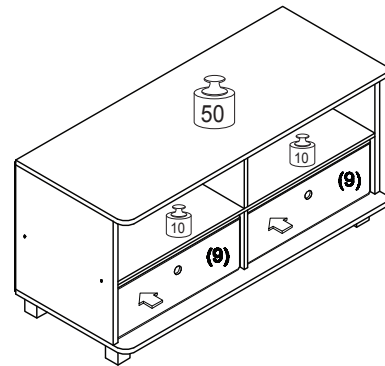
STEP 5

Attach Panel (B) to assembled unit using Screw(1).



STEP 7

Unfold Bin(9) and slide into the unit.



*Unit in Pound(lbs)

WARNING:

>This unit has been designed to support the maximum loads shown. Exceeding these load limits could cause sagging, instability, product collapse, and/or serious injury.

>DO NOT allow children to climb on unit.

>Put heavier items on lower shelves.

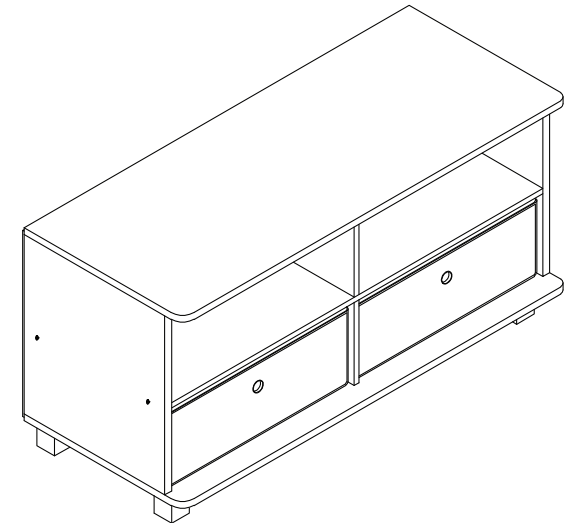
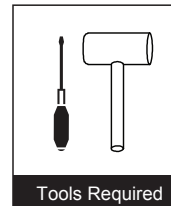
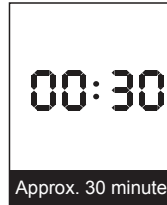


Assembly Instruction

Furinno Entertainment Center
w/2 Bin Drawers

MODEL : 11156

DIMENSION : 37.8"(W) x 19"(H) x 15.6"(D)



Customer Service

Tel/Fax: 281.500.9372










Toll Free: 773.299.8111 (Mon - Fri 9am - 5pm)






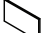

Email: support@furinno.com

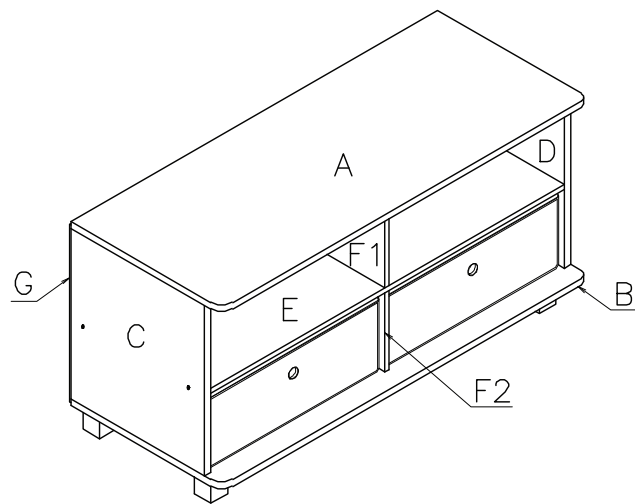
www.furinno.com

Find us on
f Facebook

Pinterest

No	Hardware List	Qty
1	Long Screw 	8pcs
2	Short Screw 	18pcs
3	Long Plastic Dowel 	2pcs
4	Short Plastic Dowel 	8pcs
5	Cam-Lock Nut 	4pcs
6	Cam-Lock Screw 	4pcs
7	Square Leg 	6pcs
8	Power Pin 	12pcs
9	Non-Wooven Bin 	2pcs

No	Parts List	Qty
A	Top Panel 	1pcs
B	Bottom Panel 	1pcs
C	Left Side Panel 	1pcs
D	Right Side Panel 	1pcs
E	Shelf Panel 	1pcs
F	Center Panel (F1) (F2) 	2pcs
G	Back Panel 	2pcs



USEFUL HINTS BEFORE YOU START:

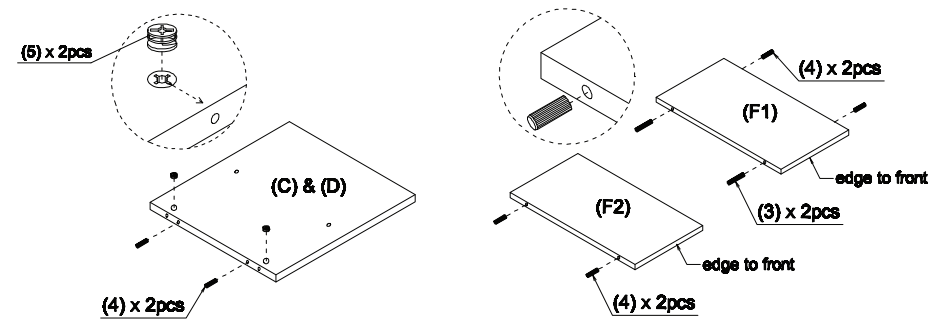
1. Read each step carefully before starting.
2. It is important that each step is performed in correct order to avoid difficulties.
3. Identify, sort and count the parts before assembly.
4. Assemble your furniture on packaging cardboard to prevent scratch or damage.
5. Clean the product with mild cleanser using soft damped cloth. Do not use harsh or abrasive cleanser.
6. Using incompatible hardware might cause damage to product.

STEP 1

1.1 Insert Dowel (3) & (4) to Panel (C) (D) (F1) & (F2).

1.2 Insert Cam-Lock Nut (5) into Panel (C) & (D).

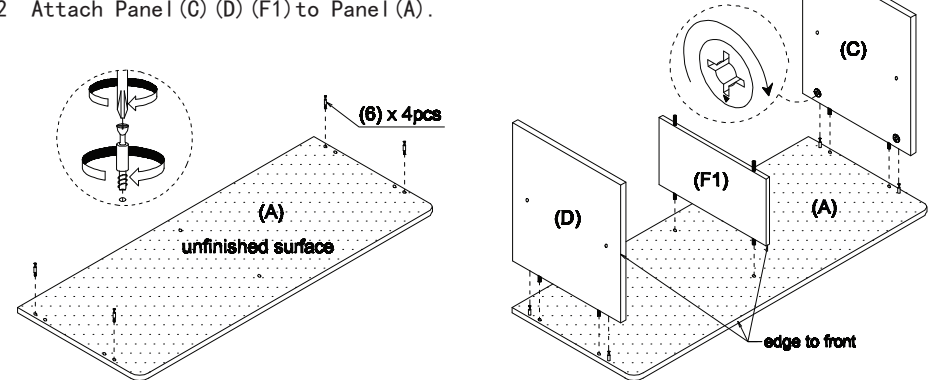
Note: Arrow on Cam-Lock Nut (5) should be pointing outward.



STEP 2

2.1 Screw Cam-Lock Screw (6) into the pre-drilled holes on Panel (A).

2.2 Attach Panel (C) (D) (F1) to Panel (A).



STEP 3

3.1 Attach Panel (E) to Panel (C) & (D) using Screw (1).

3.2 Attach Panel (F2) to Panel (E).

