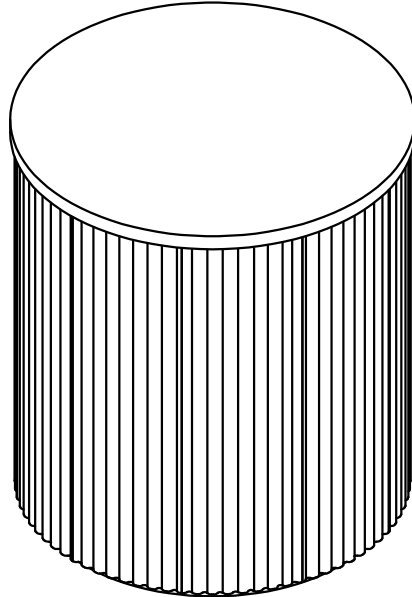


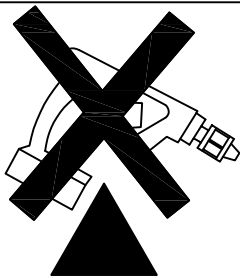
# ASSEMBLY INSTRUCTION

## Round End Table 18"

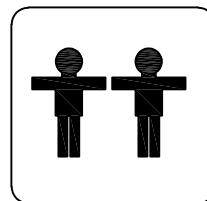


### REPLACEMENT PARTS

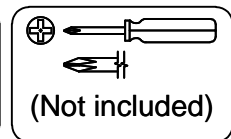
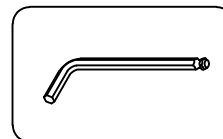
Please do not contact the company purchased from as we can help you faster.



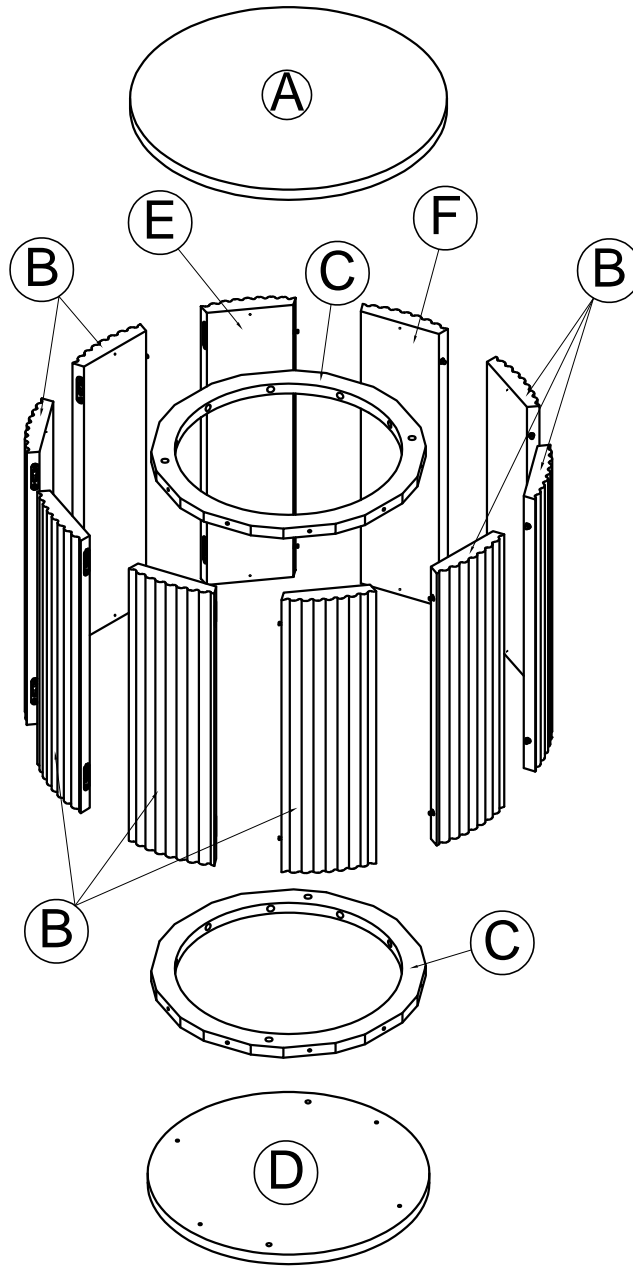
- . Use of power tool to assemble this product will invalidate any claim and damage this product making it unsafe !!!
- . Please assemble on a clean soft surface to avoid damage.




### Tools Required




# Part list - Amos Round End Table 18"

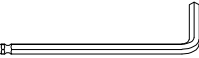


**Identifying the hardware**-Identify the hardware using the illustrations below

①  02  
M6 x 30mm

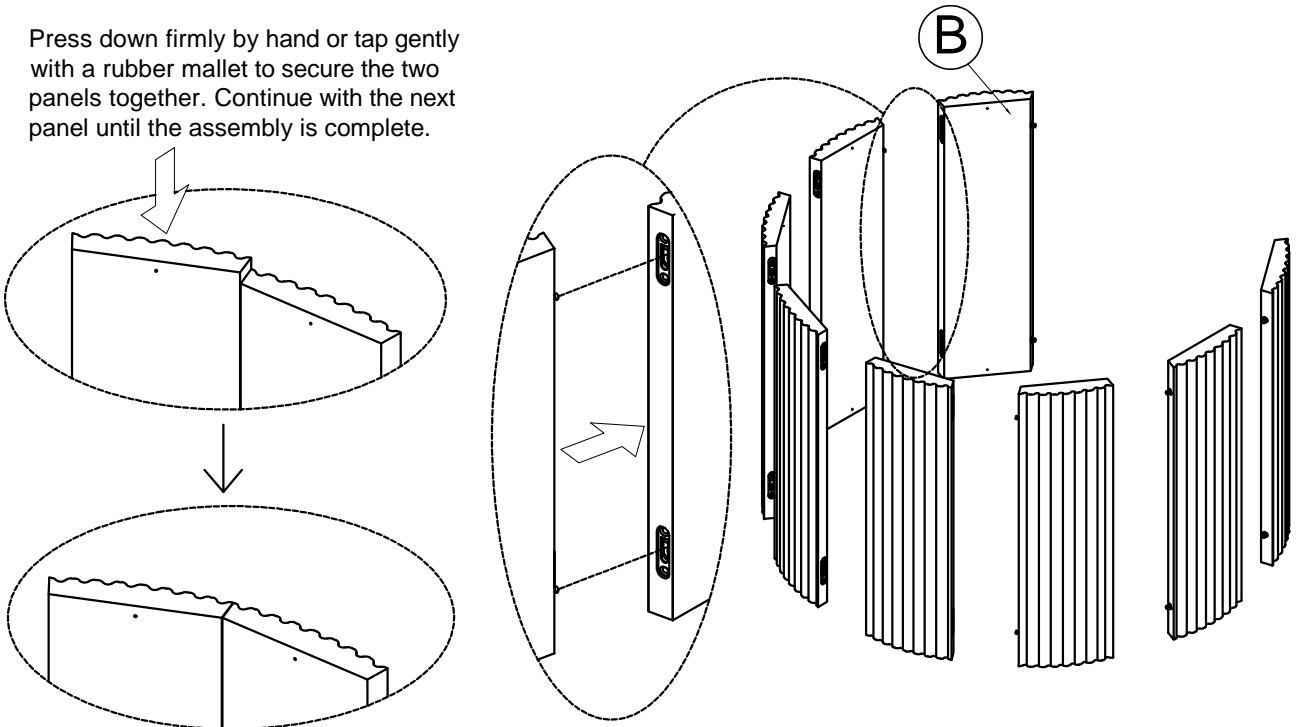
②  24  
Ø4x30mm

③  04  
50x20x2mm

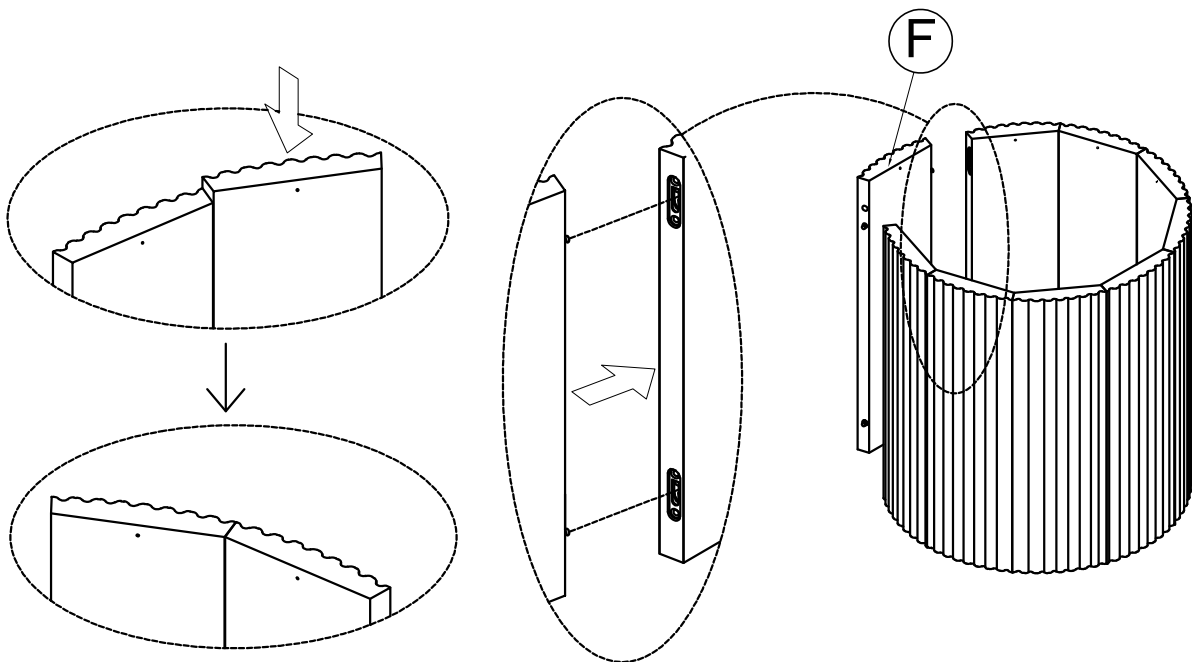
④  01  
M4

## STEP 1

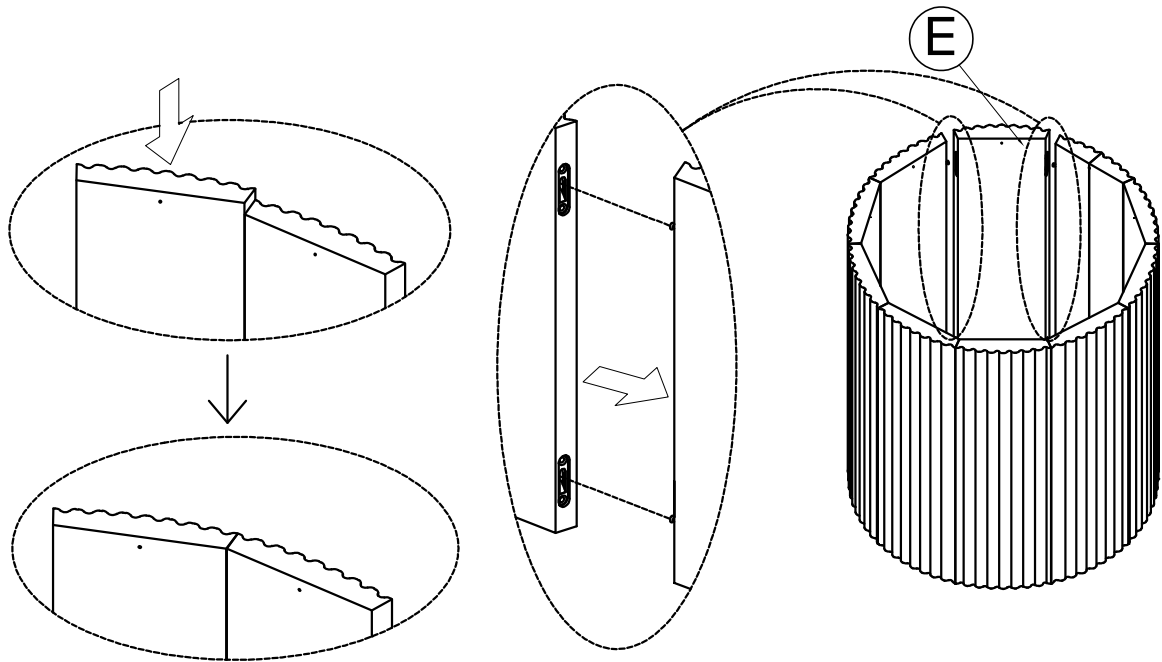
Press down firmly by hand or tap gently with a rubber mallet to secure the two panels together. Continue with the next panel until the assembly is complete.



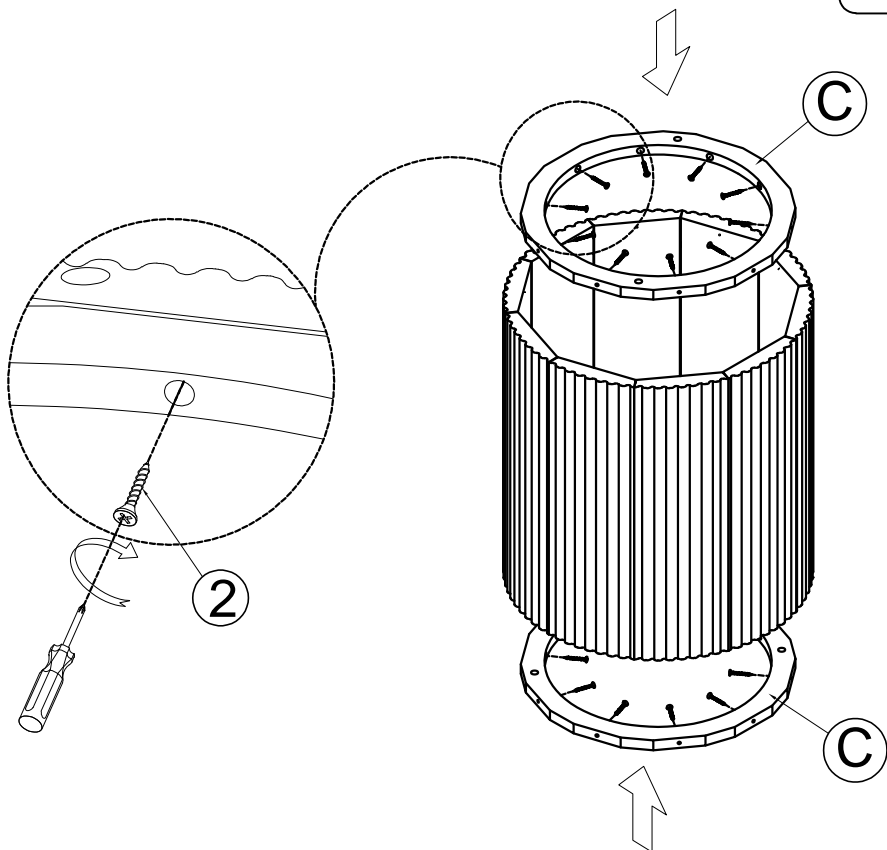
## STEP 2




### STEP 3




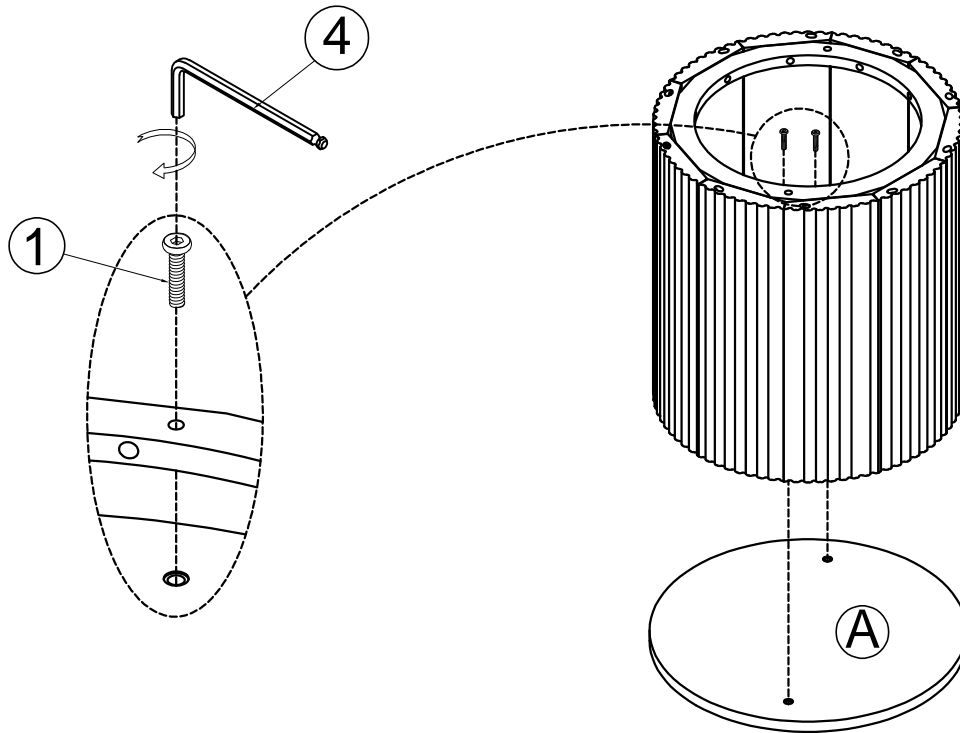
### STEP 4



# STEP 5

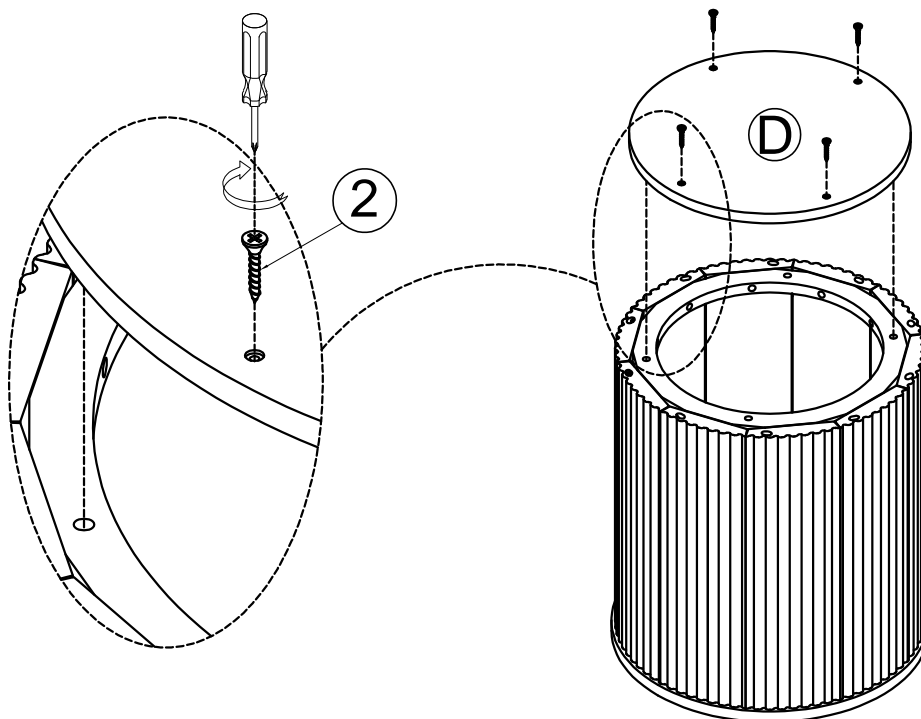
①  02  
M6 x 30mm

④  01  
M4




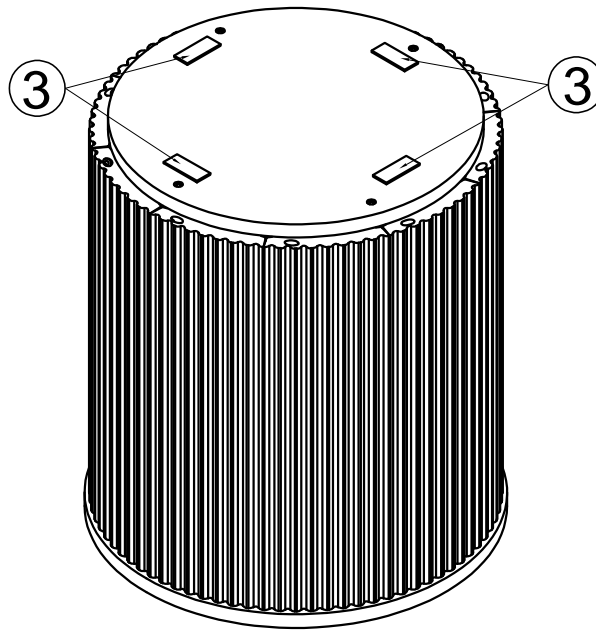
# STEP 6

②  04  
Ø4x30mm



STEP 7

③  04  
50x20x2mm



---

Complete

