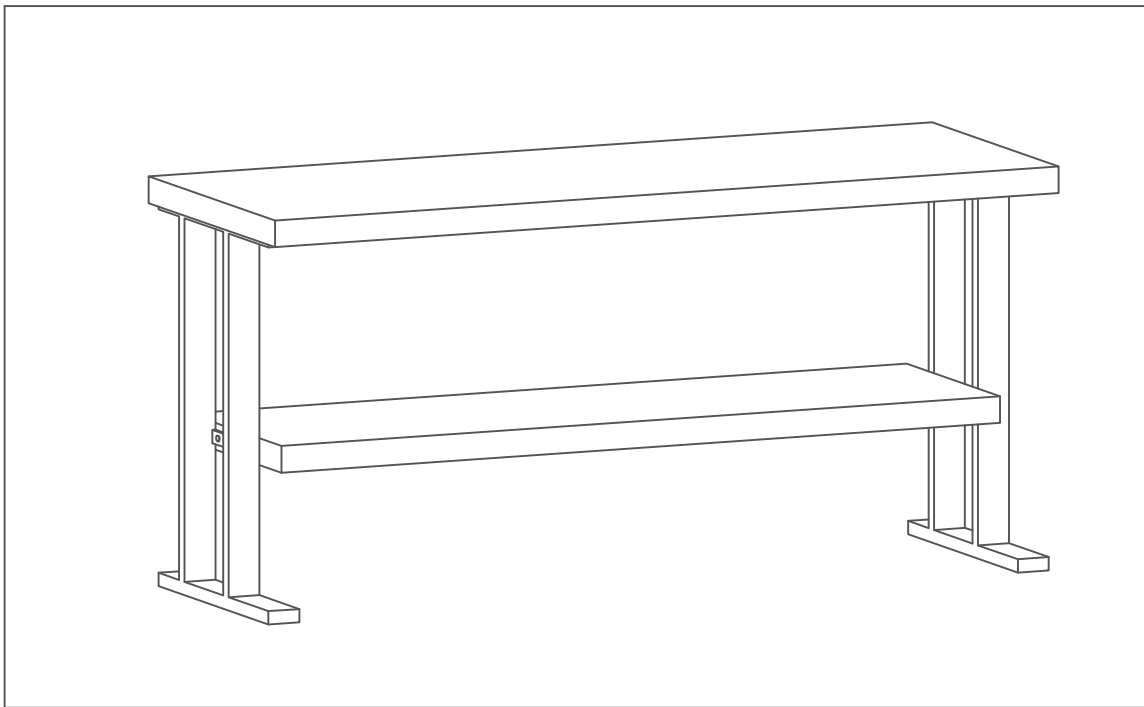
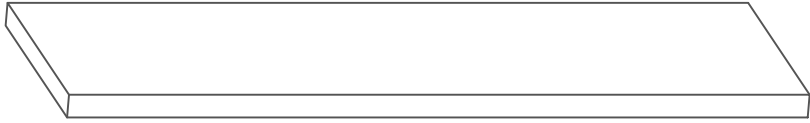

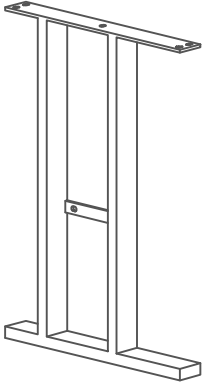
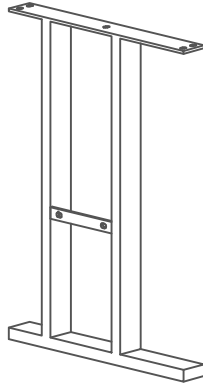



# Assembly Instructions




# Parts List

lable	Picture	Qty
A		1
B		1
C-L	 <span style="float: right;">(Left)</span>	1
C-R	 <span style="float: right;">(Right)</span>	1

# Hardware List

lable	Picture	Description	Size	Qty
H-1		Bolt	M6x15 mm	14

# Tool List

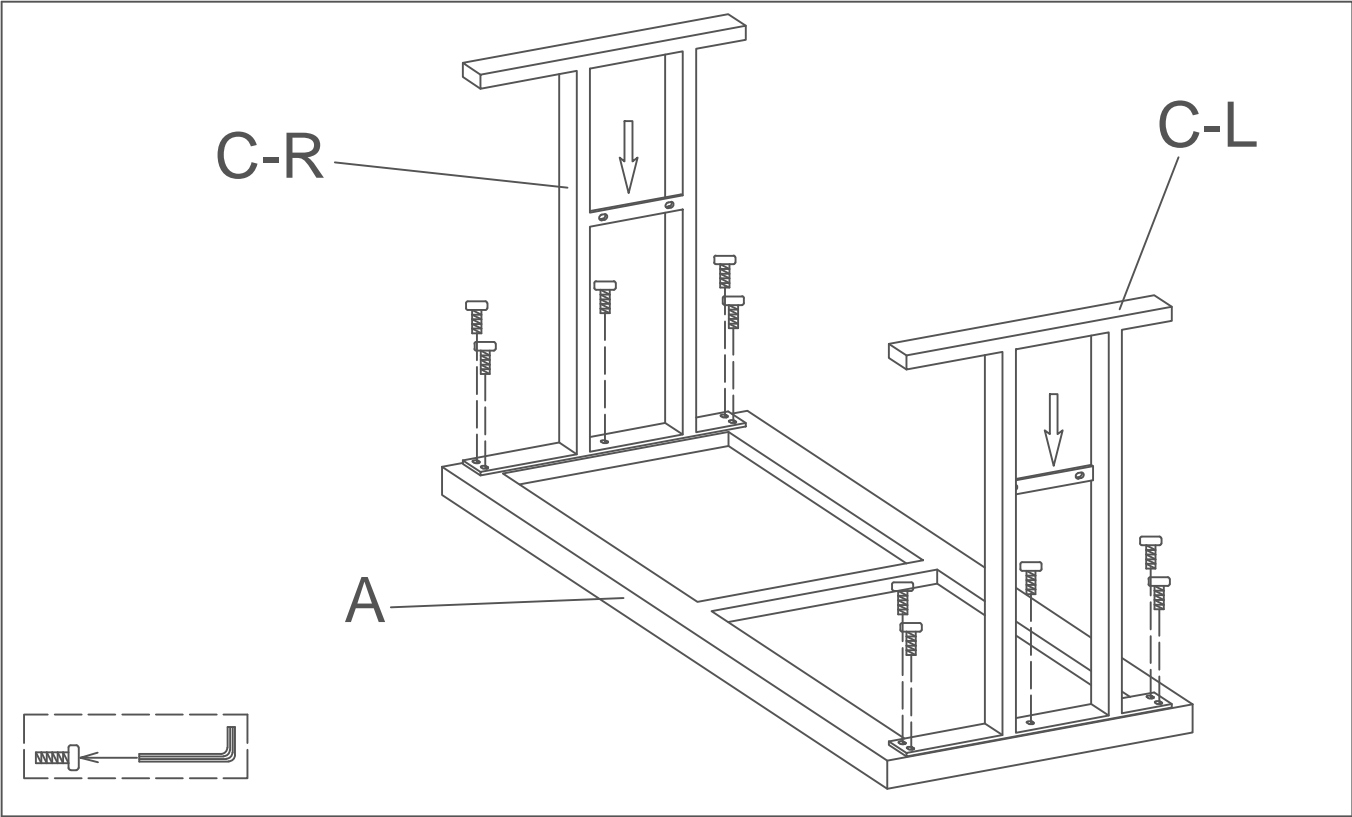
lable	Picture	Description	Size	Qty
T-1		Allen Key	φ4 mm	1

# Assembly Steps

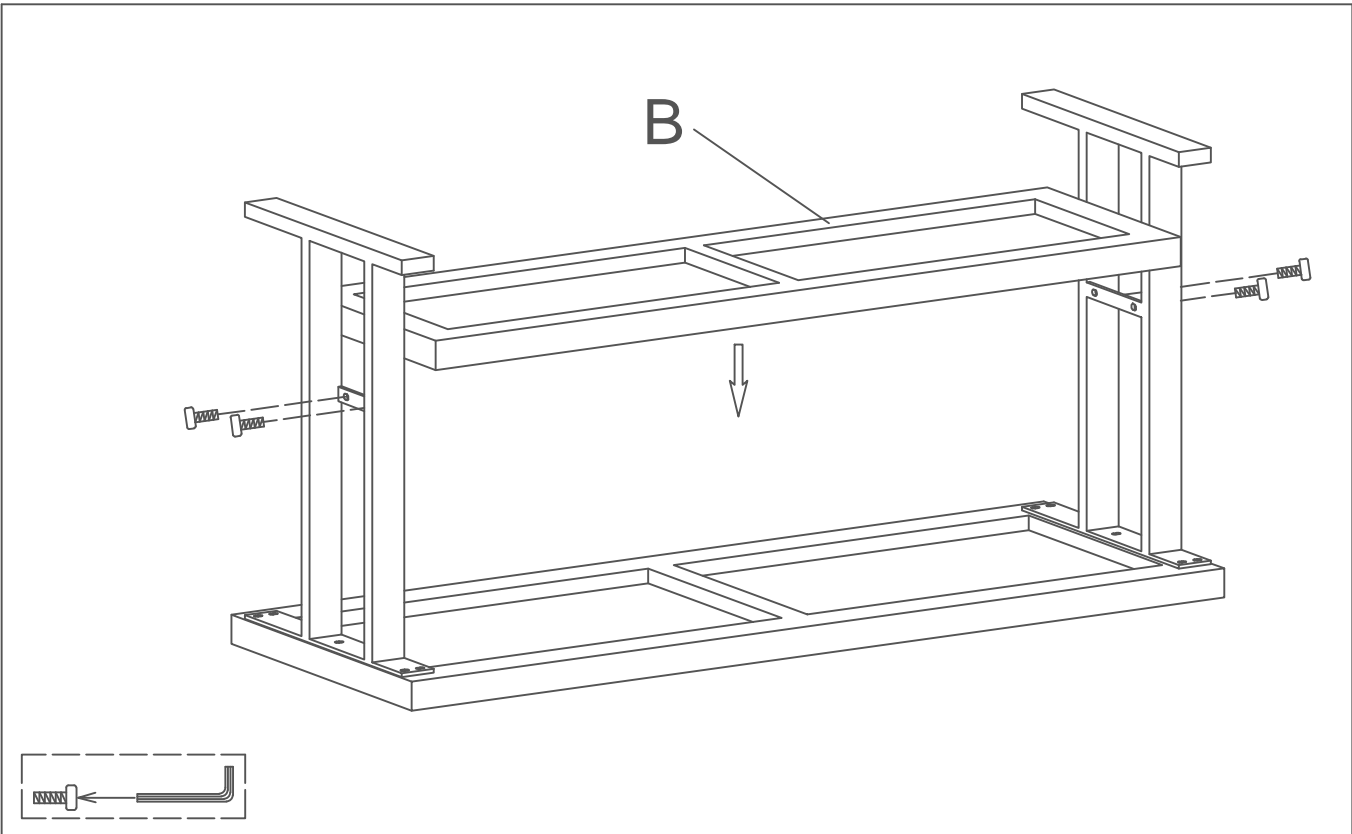
ATTENTION:

DO NOT COMPLETELY TIGHTEN ANY SCREWS UNTIL ALL PARTS ARE IN PLACE

## Step 1



## Step 2



# Step 3

---

