

Chair

Assembly Instructions
Instrucciones De Asamblea
Instructions d'Assemblée

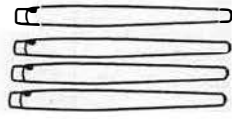
PARTS



A



B



x4

C



x4+1
M6*20mm

D



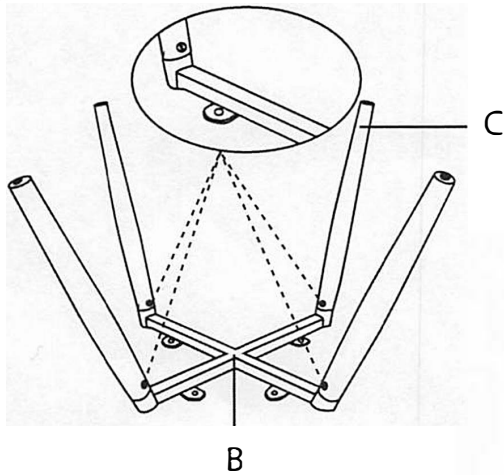
x4+1
M6*16mm

E

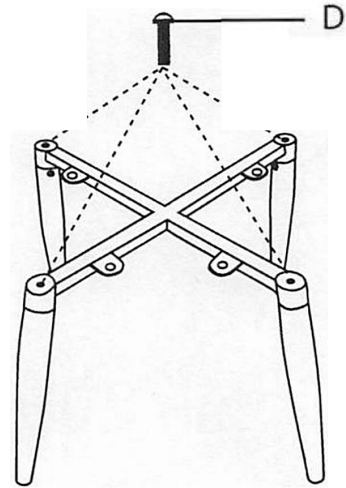


F

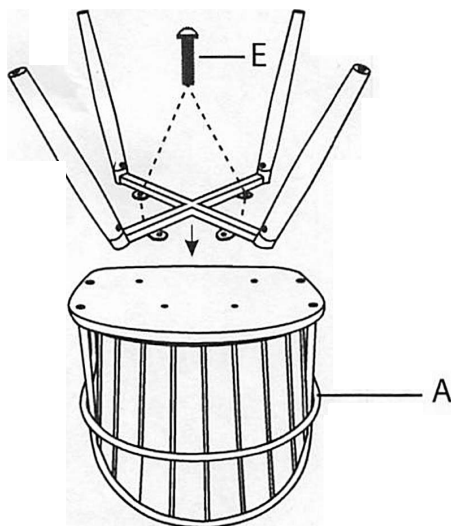
1



2



3



4

