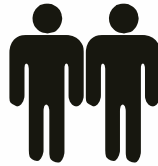


Assembly Instruction

2-DRAWER CONSOLE TABLE

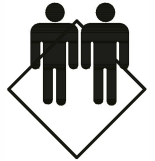
60 min

APPROXIMATE ASSEMBLY TIME



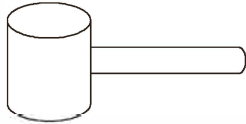
2 PEOPLE ASSEMBLY

FLOOR AREA
3M X 3M



REQUIRED ASSEMBLY SPACE

REQUIRED ASSEMBLY TOOLS



RUBBER HAMMER (NOT INCLUDED)



SCREWDRIVER (NOT INCLUDED)

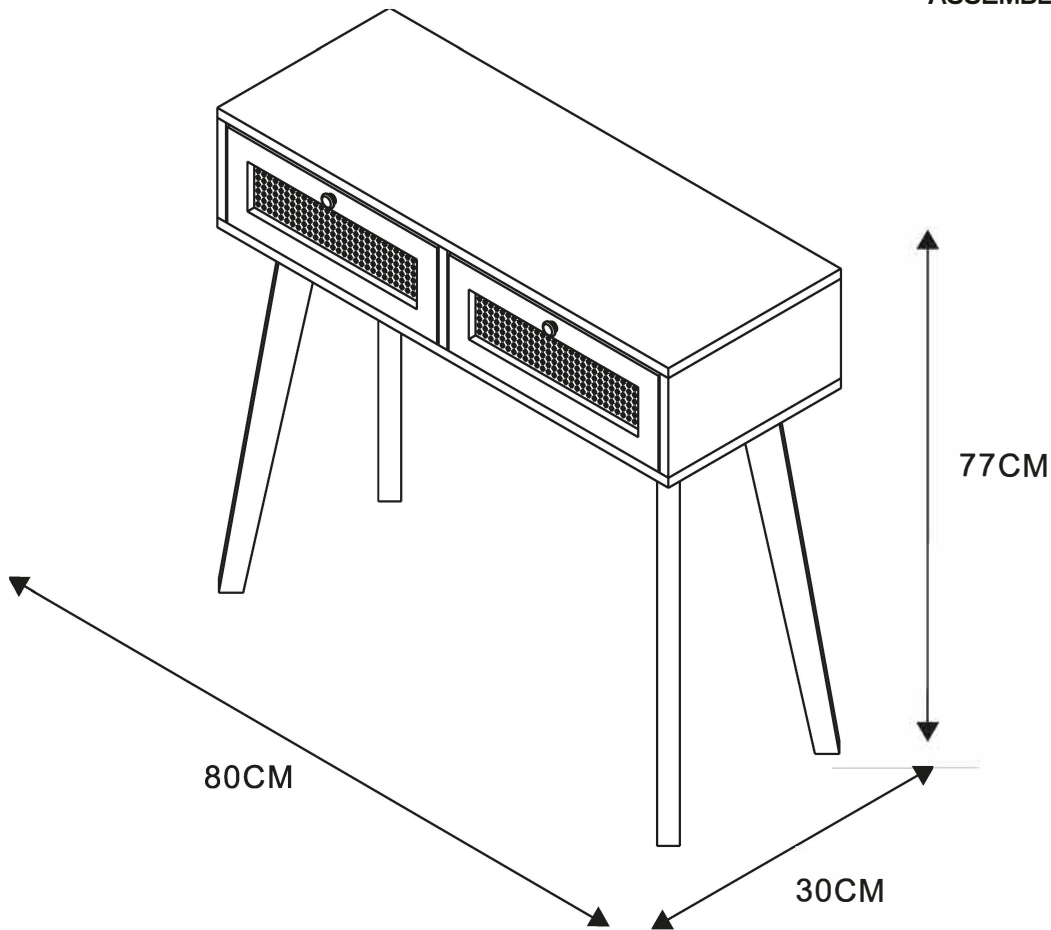


POZI SCREWDRIVER (NOT INCLUDED)



TAPE MEASURE (NOT INCLUDED)

ASSEMBLED DIMENSIONS



1 - 11

Made in China

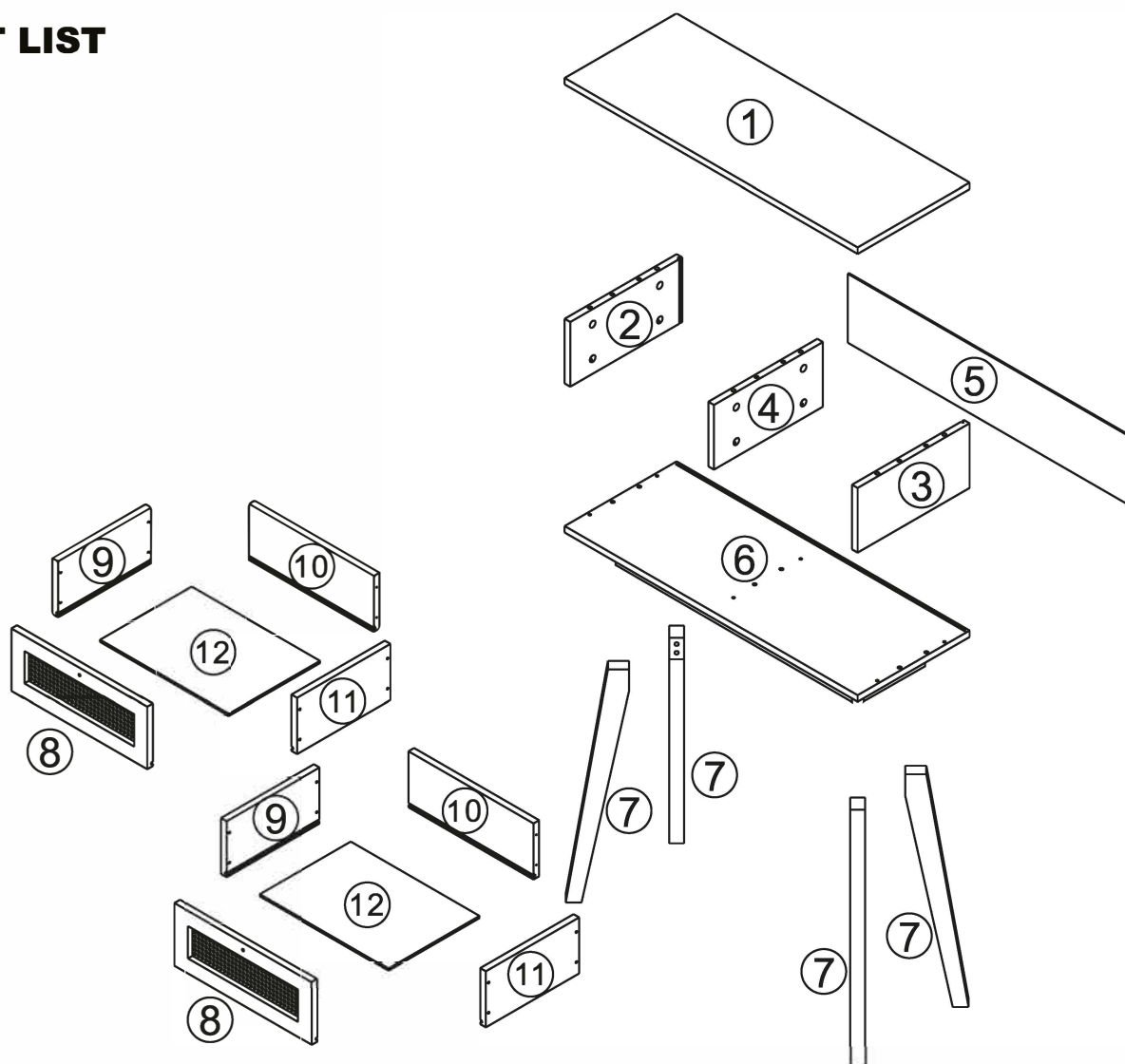
Max. Loading: 15kg

2-DRAWER CONSOLE TABLE

Assembly Instruction

NO.	PART LIST	QTY	NO.	PART LIST	QTY
①	TOP PANEL	1	⑦	LEGS	4
②	LEFT SIDE PANEL	1	⑧	DRAWER FRONT PANEL	2
③	RIGHT SIDE PANEL	1	⑨	DRAWER LEFT PANEL	2
④	CENTRAL PANEL	1	⑩	DRAWER BACK PANEL	2
⑤	BACK SIDE PANEL	1	⑪	DRAWER RIGHT PANEL	2
⑥	BOTTOM PANEL	1	⑫	DRAWER BOTTOM PANEL	2





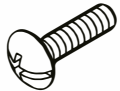


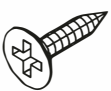






PART LIST



2-DRAWER CONSOLE TABLE

Assembly Instruction

HARDWARE LIST

A	x 12	B	x 12	C	x 16	D	x 8	E	x 2
				 3x20mm		 6x40mm		 4x23mm	
F	x 2	G	x 2	H	x 6	I	x 2	J	x 2
		 4x30mm		 3.5x12mm					
K	x 4	L	x 4	M	x 12	N	x 8		
				 8x30mm					

2-DRAWER CONSOLE TABLE

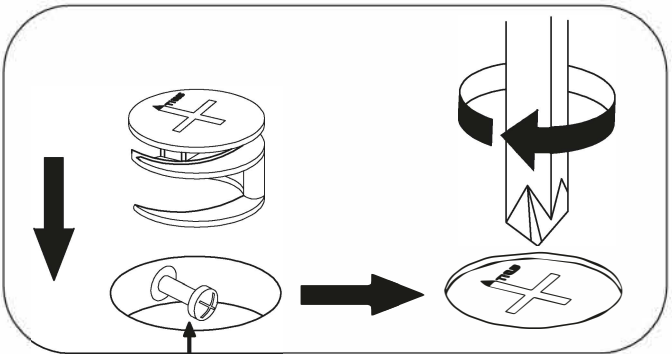
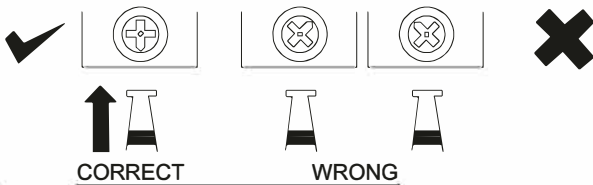
Assembly Instruction

SPECIAL TIPS FOR FITTING CAM-LOCKS AND QUICKFIT

CAM-LOCK



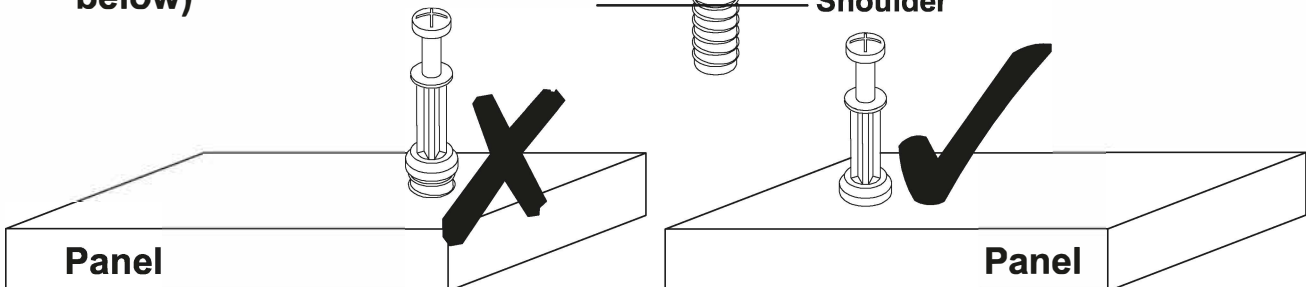
WHEN FITTING CAMLOCK
ENSURE STARTING POSITION IS CORRECT
BEFORE YOU INSERT CONNECTING QUICKFIT
TURN CLOCKWISE UNTIL SECURE



Quickfit head needs to be in centre

QUICKFIT

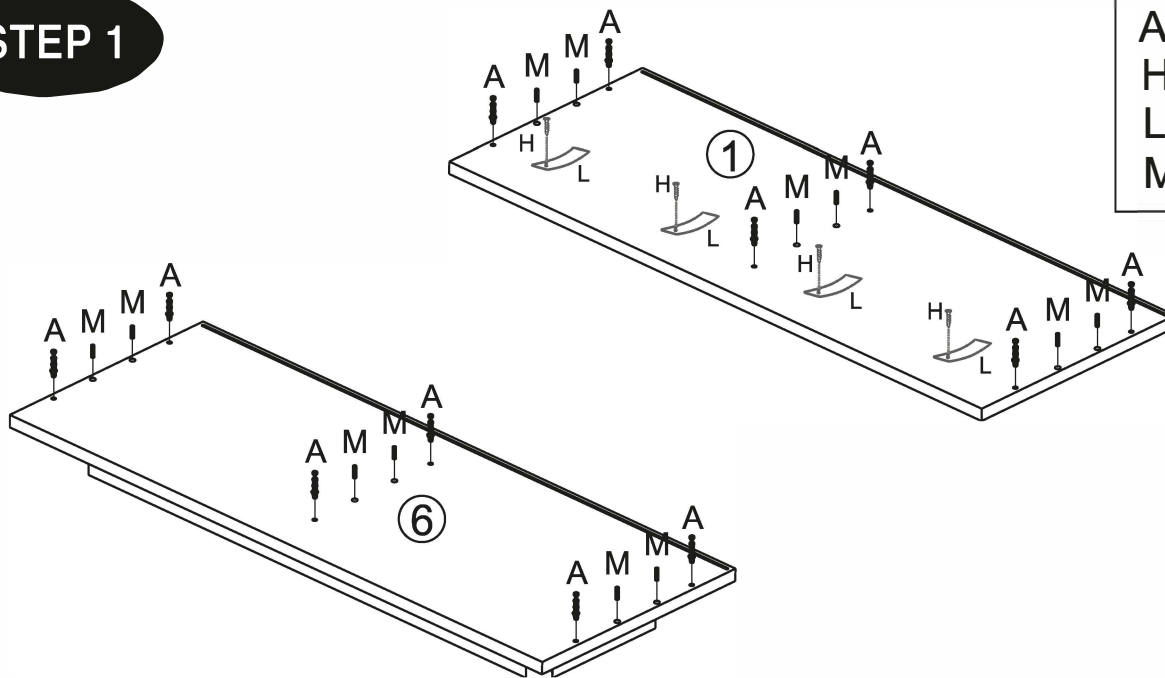
Tighten until shoulder is flush with panel. Do not overtighten or undertighten (see example below)



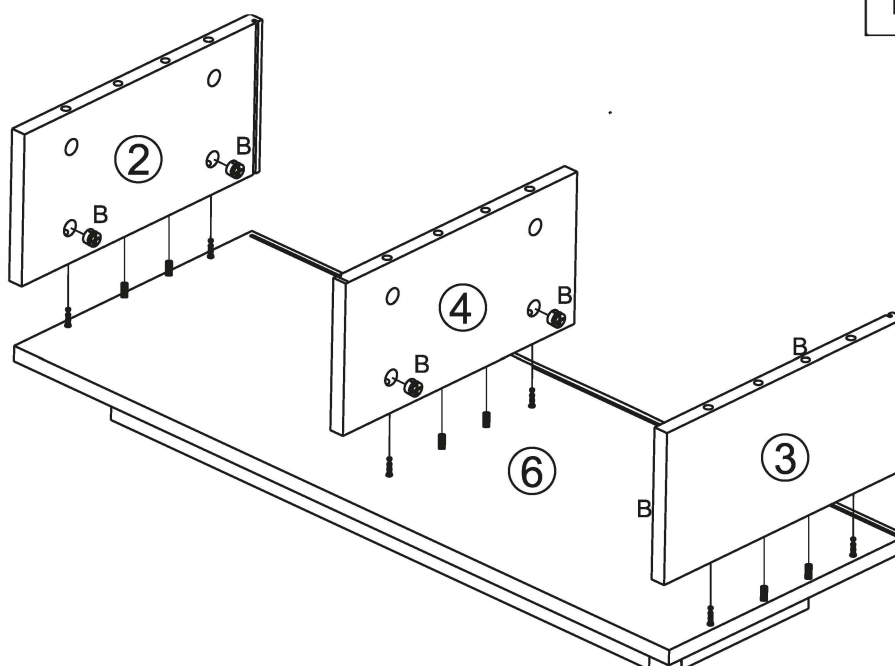
2-DRAWER CONSOLE TABLE

Assembly Instruction

STEP 1



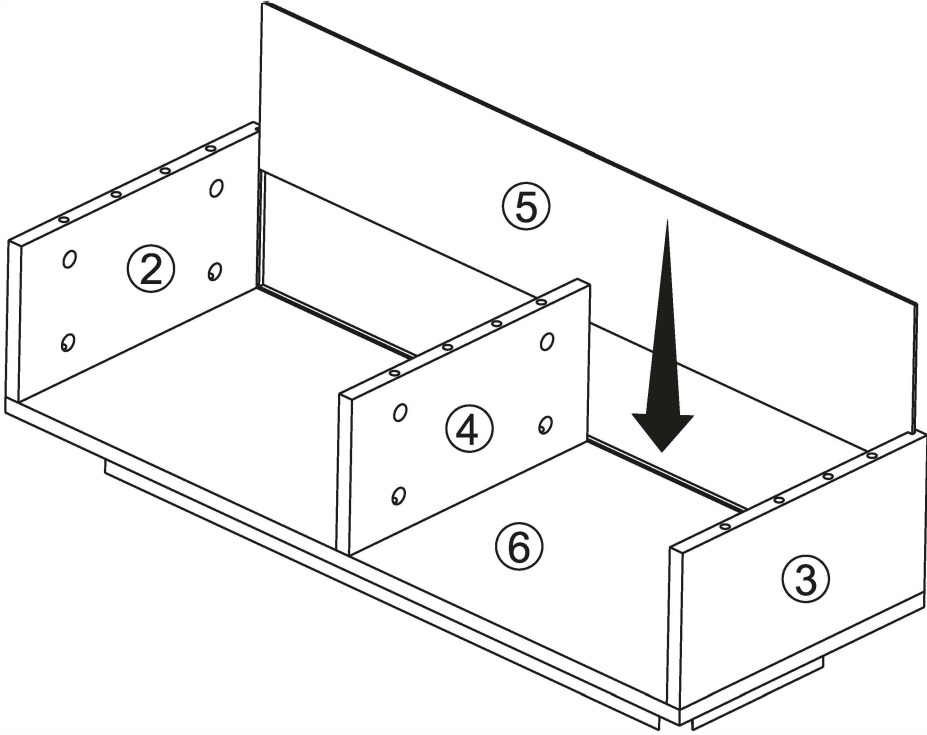
STEP 2



2-DRAWER CONSOLE TABLE

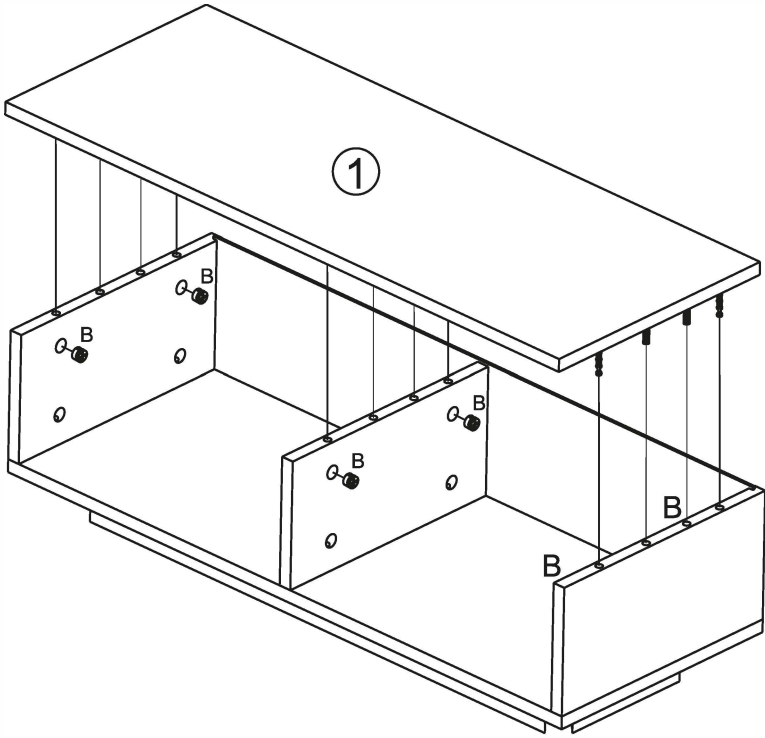
Assembly Instruction

STEP 3



STEP 4

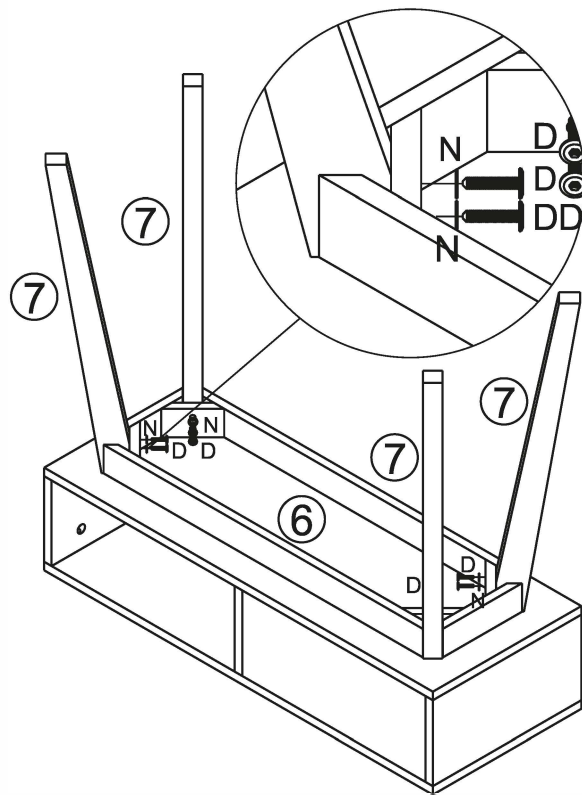
B x6



2-DRAWER CONSOLE TABLE

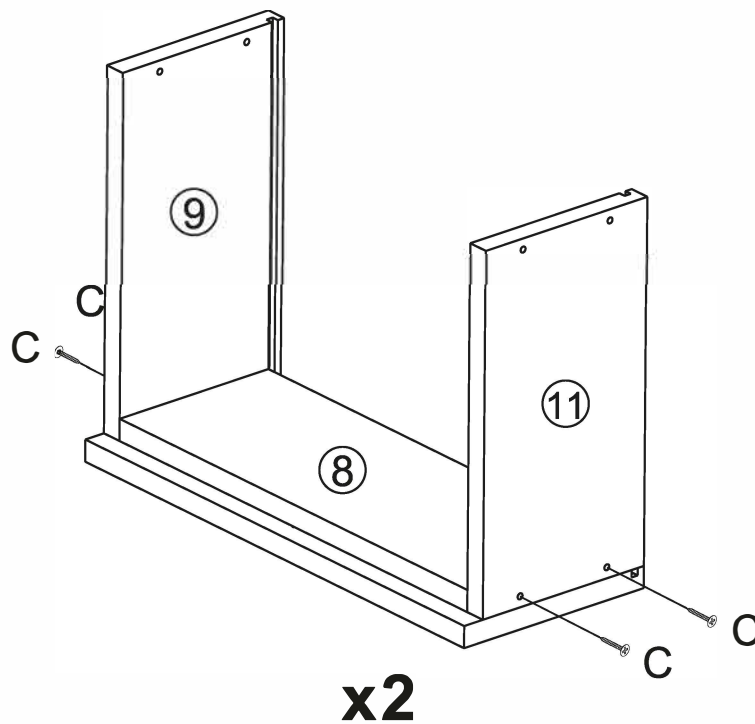
Assembly Instruction

STEP 5



D x8
N x8

STEP 6



C x8

Max. Loading: 15kg

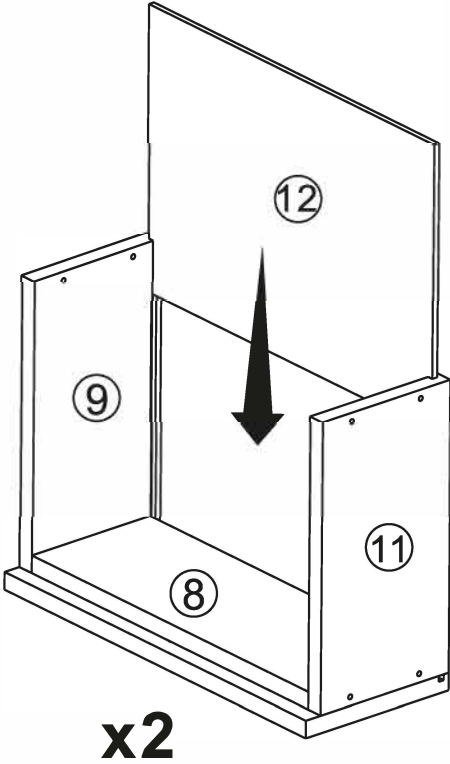
7 - 11

Made in China

2-DRAWER CONSOLE TABLE

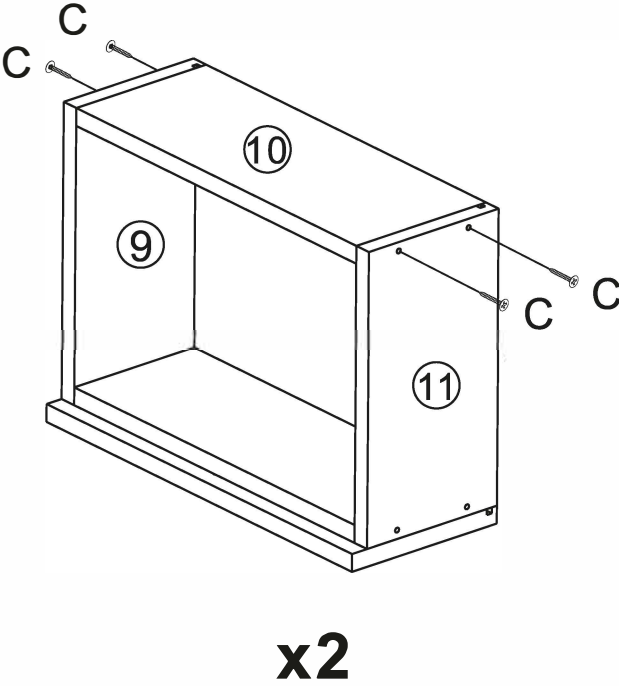
Assembly Instruction

STEP 7



STEP 8

C x8

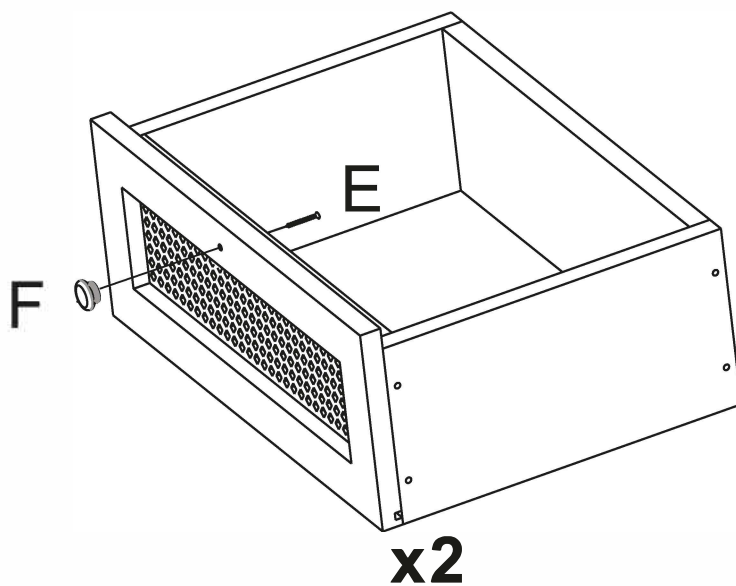


2-DRAWER CONSOLE TABLE

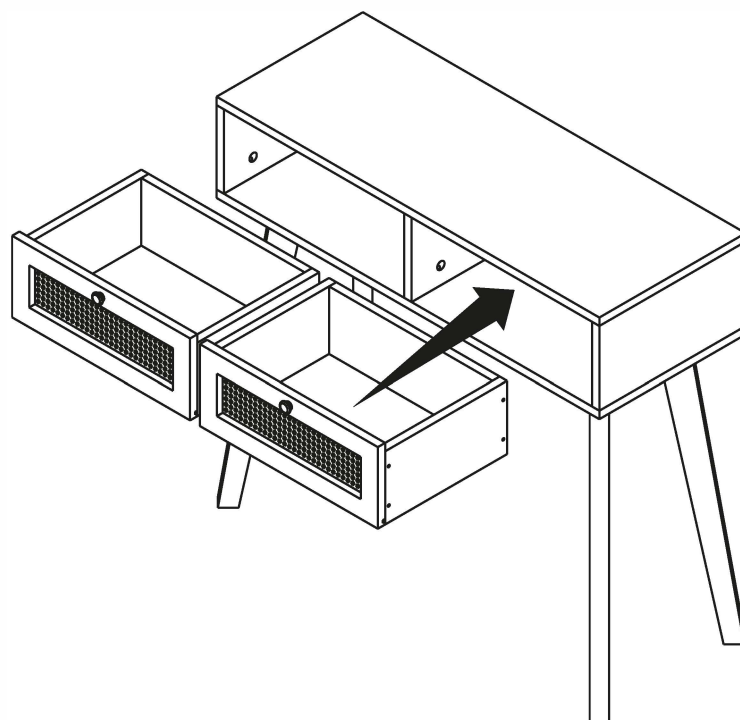
Assembly Instruction

STEP 9

E x2
F x2



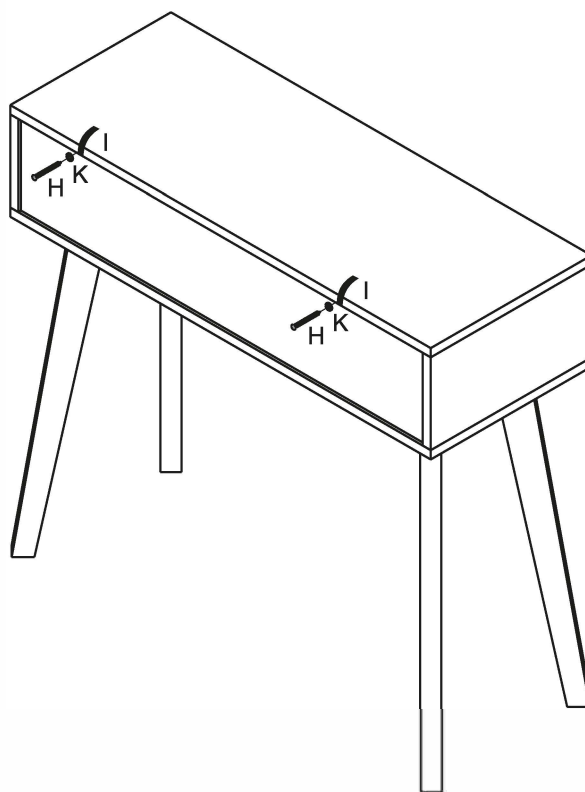
STEP 10



2-DRAWER CONSOLE TABLE

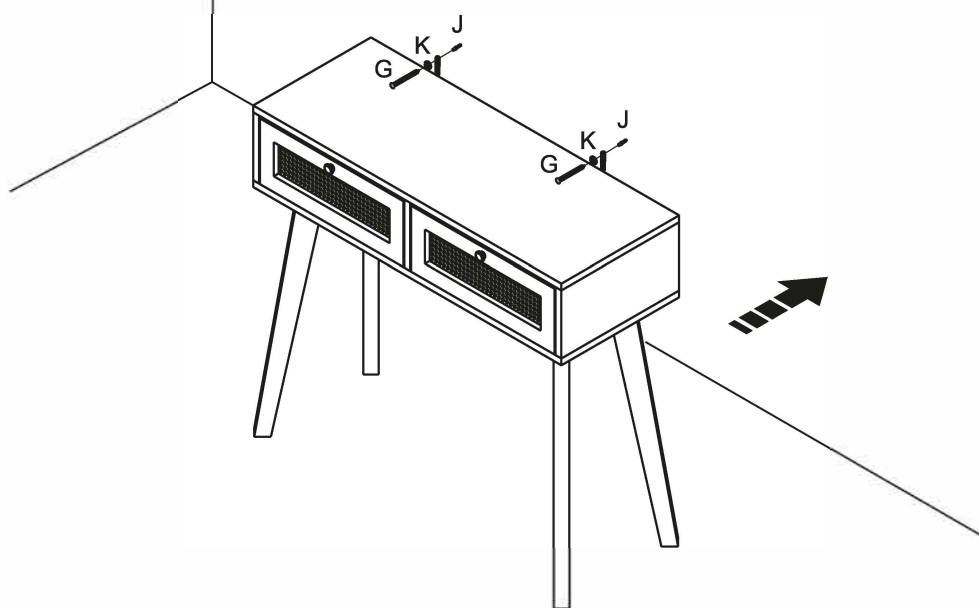
Assembly Instruction

STEP 11



H x2
K x2
I x2

STEP 12



G x2
K x2
J x2

Max. Loading: 15kg

10 - 11

Made in China

2-DRAWER CONSOLE TABLE

Assembly Instruction



SAFETY ADVICE AND CARE ADVICE

KEEP ALL THE SAFETY ADVICE AND INSTRUCTIONS IN A SAFE PLACE FOR FUTURE REFERENCE!

⚠️ WARNING! RISK OF LOSS OF LIFE OR ACCIDENT TO INFANTS AND CHILDREN!

Never leave children unsupervised with the packaging materials. Danger of suffocation.

⚠️ CAUTION! RISK OF INJURY!

Make sure that all parts are undamaged and assembled correctly.

Improper assembly carries a risk of injury.

Damaged parts may affect the safety and function of the product.

- Adult assembly required.
- Power tools are not recommended for this product.
- Make sure that this product is stable & used only on a solid & flat surface.
- Do not use this product unless all screws and fixings are secure firmly secured.
- Do not leave children unsupervised! The product is not a climbing frame or a toy!
- Do not stand, sit or lean on this product
- Do not use this product as a step ladder or as a chopping surface.
- Do not lift or move the product when it is loaded.
- Do not load more than a total of 15kg onto the unit, otherwise there is a risk of injury and/or damage to the product
- Distribute weight evenly across the product so that it cannot overturn.
- Do not place hot items such as coffee cups directly on the surface(s) unless adequately thick table mats are used.
- Please periodically check all fittings and re-tighten as necessary.
- For Indoor & Domestic use only.

Care instructions:

- Wipe clean with a dry cloth.
- Do not use scourers, abrasive or chemical solvents.
- Keep away from moisture and direct sunlight.
- Keep away from fire and inflammable objects.
- Store in a dry place.