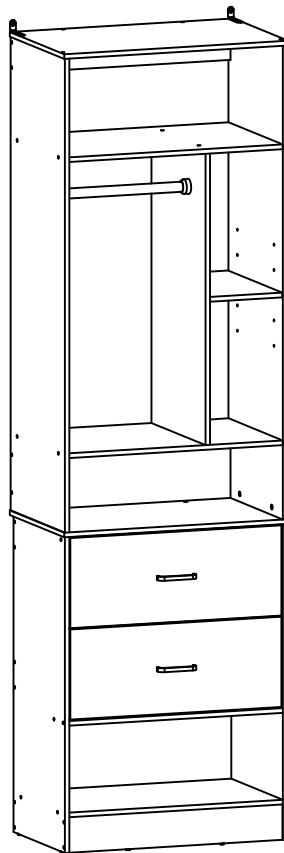


2FT Closet System with 2 Drawers

Assembly Instructions

BO-YCG2FT-2D_V1.0



Attention: Please ensure you have all parts before commencing assembly.
Please read all the instructions before commencing.

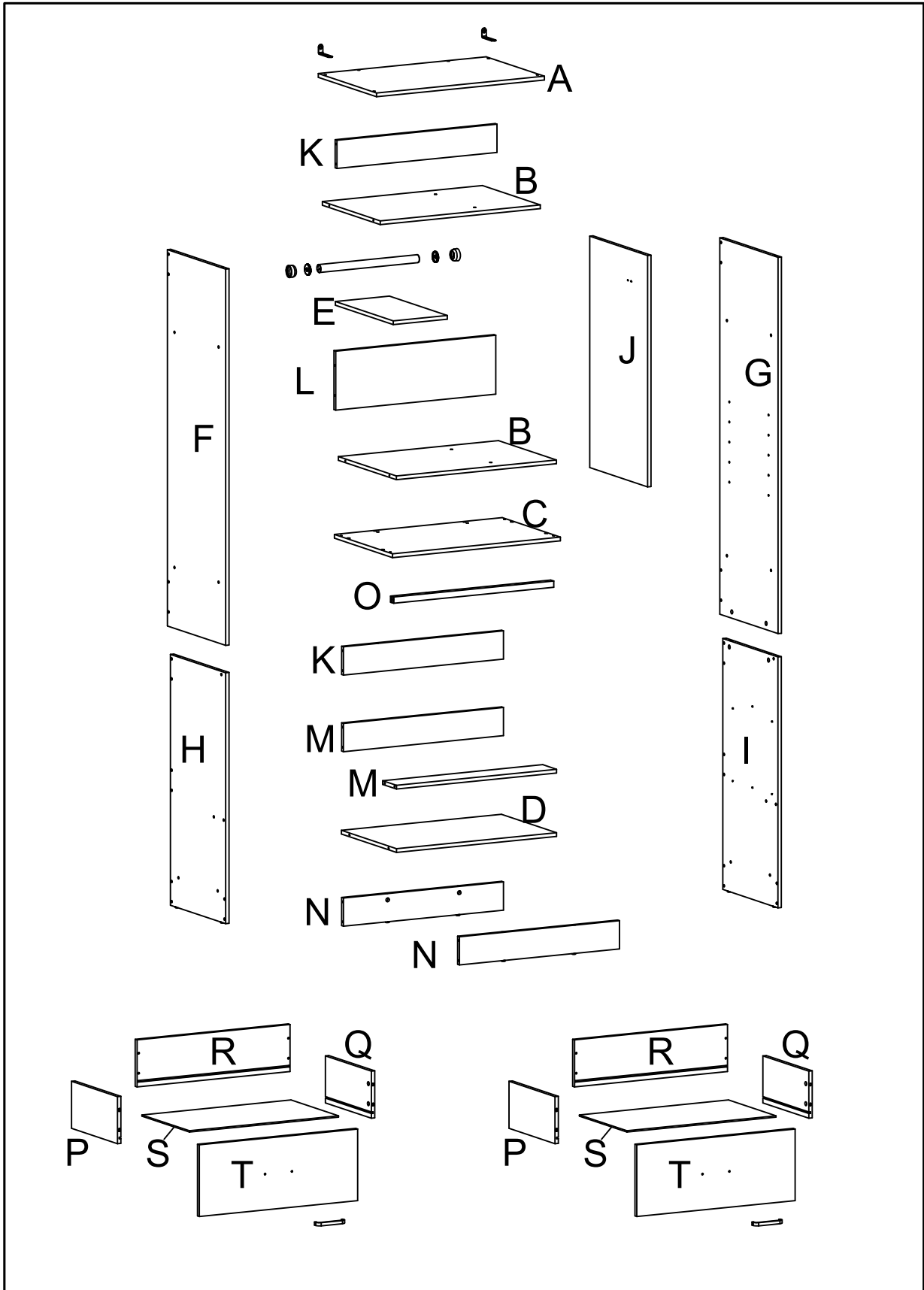
Have problems when installing or missing parts?

How to find us?









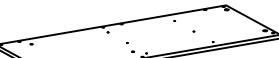


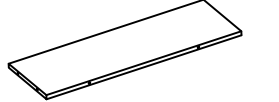

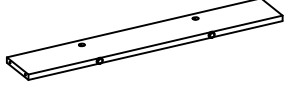


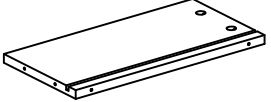


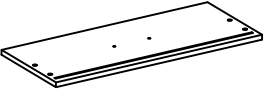


bettersp@hotmail.com




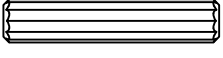

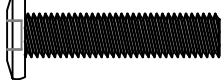




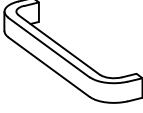
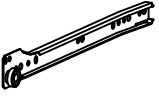
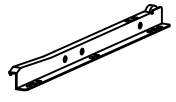
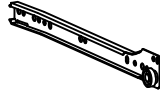
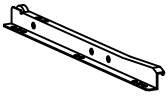

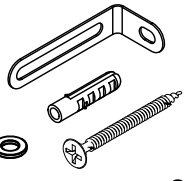
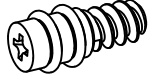
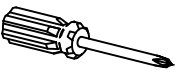

PART LIST



PART LIST

<p>A x 1pc</p> 	<p>B x 2pcs</p> 	<p>C x 1pc</p> 	<p>D x 1pc</p> 
<p>E x 1pc</p> 	<p>F x 1pc</p> 	<p>G x 1pc</p> 	<p>H x 1pc</p> 
<p>I x 1pc</p> 	<p>J x 1pc</p> 	<p>K x 2pcs</p> 	<p>L x 1pc</p> 
<p>M x 2pcs</p> 	<p>N x 2pcs</p> 	<p>O x 1pc</p> 	<p>P x 2pcs</p> 
<p>Q x 2pcs</p> 	<p>R x 2pcs</p> 	<p>S x 2pcs</p> 	<p>T x 2pcs</p> 
Empty space for additional parts			

HARDWARE LIST

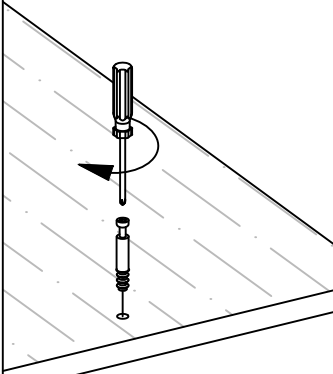
<p>①</p>  <p>M6x28 20 pcs</p>	<p>②</p>  <p>Ø12 20 pcs</p>	<p>③</p>  <p>M6x40 54 pcs</p>	<p>④</p>  <p>M4x15 4 pcs</p>
<p>⑤</p>  <p>M6x30 4 pcs</p>	<p>⑥</p>  <p>M3x12 24 pcs</p>	<p>⑦</p>  <p>M6x27 4 pcs</p>	<p>⑧</p>  <p>M4x12 4 pcs</p>
<p>⑨</p>  <p>Ø25x352 1 pc</p>	<p>⑩</p>  <p>2 pcs</p>	<p>⑪</p>  <p>2 pcs</p>	<p>⑫</p>  <p>2 pcs</p>
<p>⑬</p>  <p>300L 2 pcs</p>	<p>⑭</p>  <p>300L 2 pcs</p>	<p>⑮</p>  <p>300L 2 pcs</p>	<p>⑯</p>  <p>300L 2 pcs</p>
<p>⑰</p>  <p>M4x30 8 pcs</p>	<p>⑱</p>  <p>M4x40 2 pcs</p>	<p>⑲</p>  <p>Ø7x19 4 pcs</p>	<p>⑳</p>  <p>1 pc</p>
<p>㉑</p>  <p>M4 1 pc</p>			

Please count and verify all parts before assembly .

How to install Camlocks

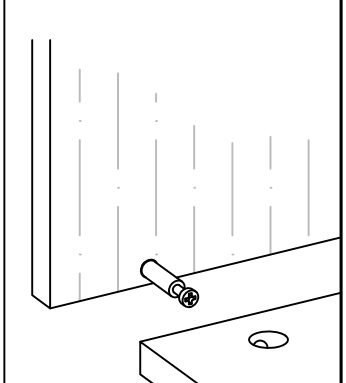
Connect the male camlock as directed in the assembly instructions with a screwdriver.

1 DO NOT OVER TIGHTEN



Put the male camlock into the entry hole.

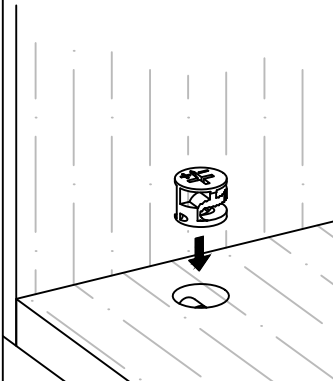
2



Insert the female camlock as shown in the instruction.

Note: ensure that the arrow on the top of the camlock points toward the entry hole for the male camlock.

3

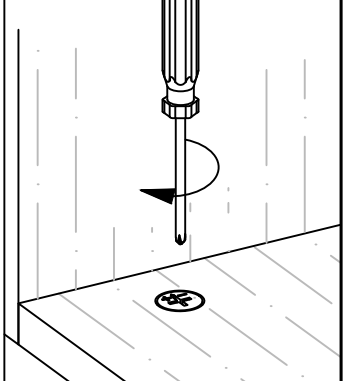


Screw the female camlock clockwise with a screwdriver.

You will feel a click when the camlock is locked in place.

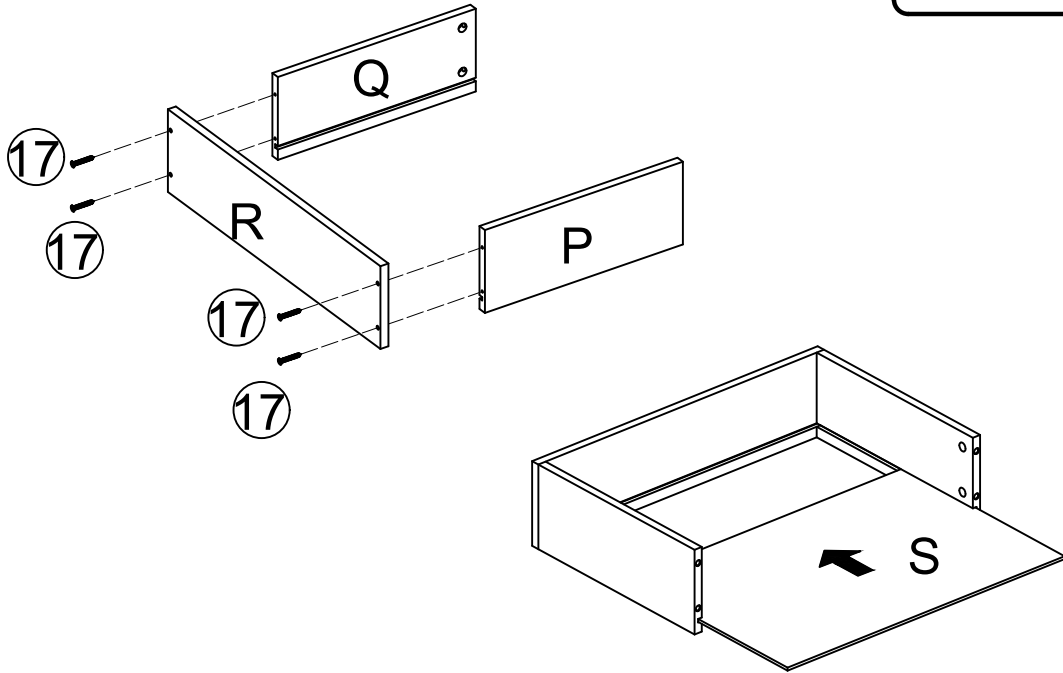
The camlock is now completed.

4



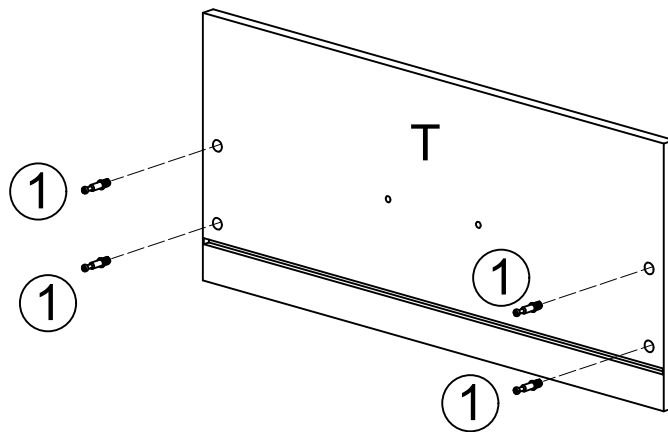
STEP 1

17  x4



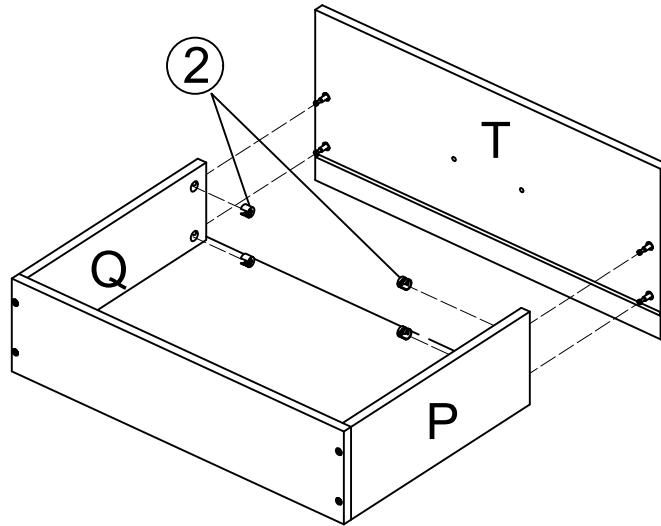
STEP 2

1  x4




STEP 3


②  x4

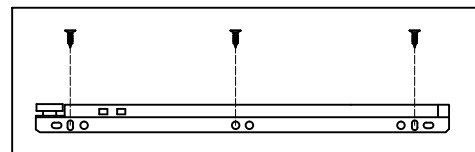
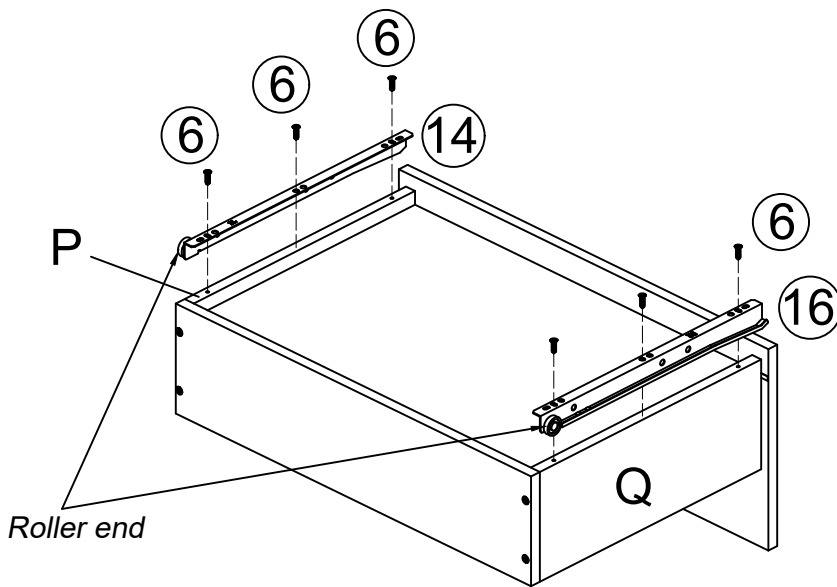


STEP 4

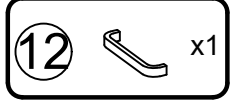
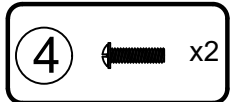
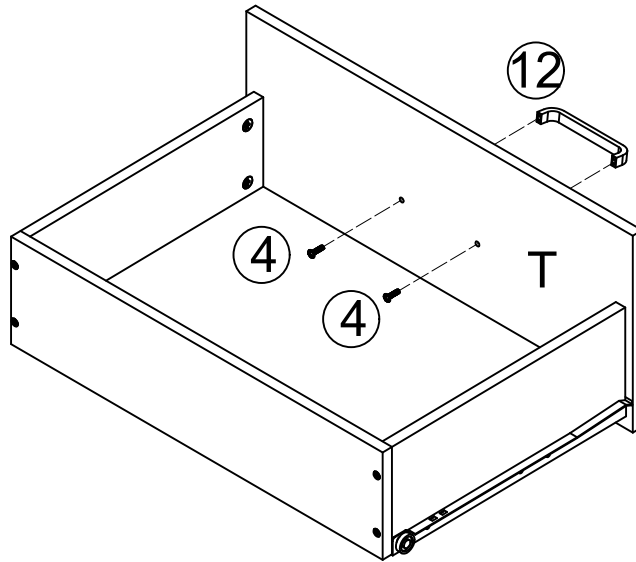
⑥  x6

⑭  x1

⑮  x1



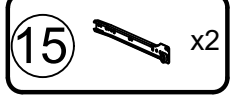
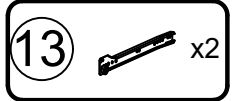
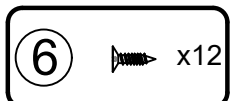
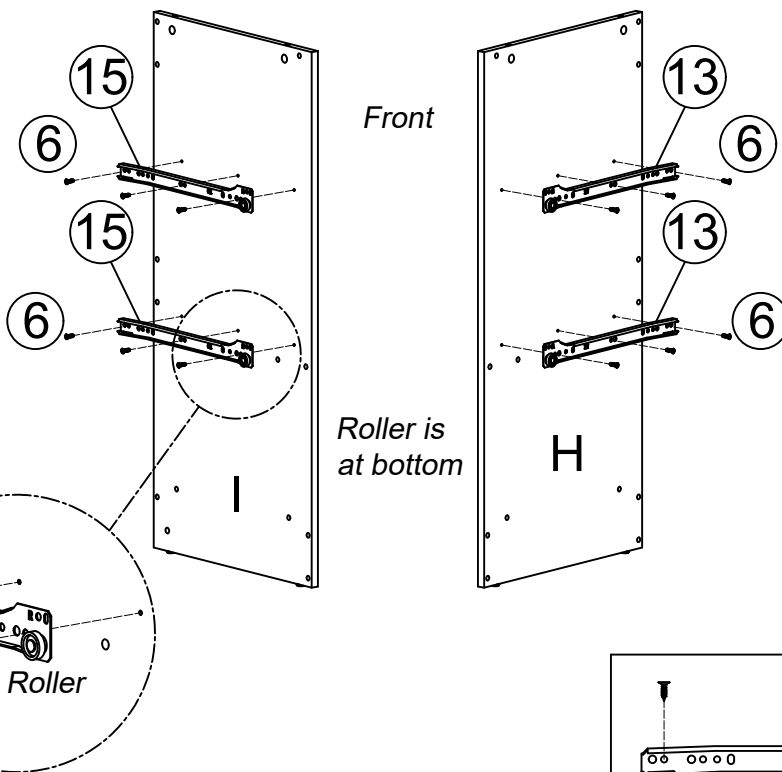
STEP 5



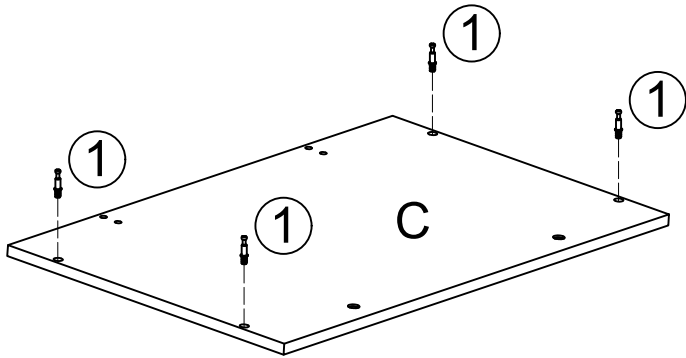
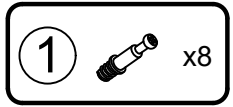
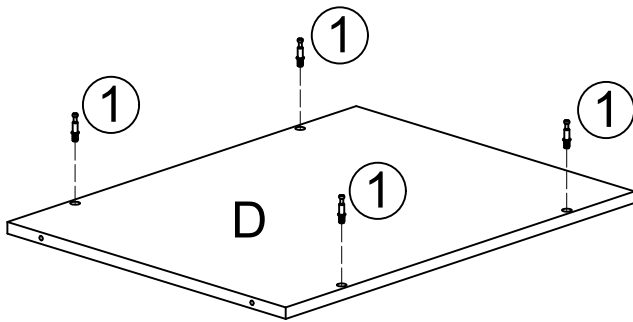
NOTICE:

The installation for all the two drawers is base on the five steps above.

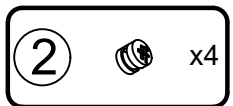
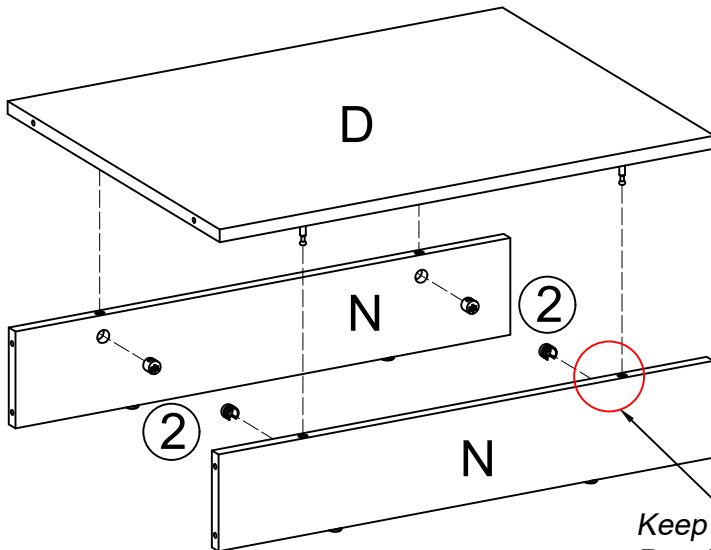
STEP 6



STEP 7



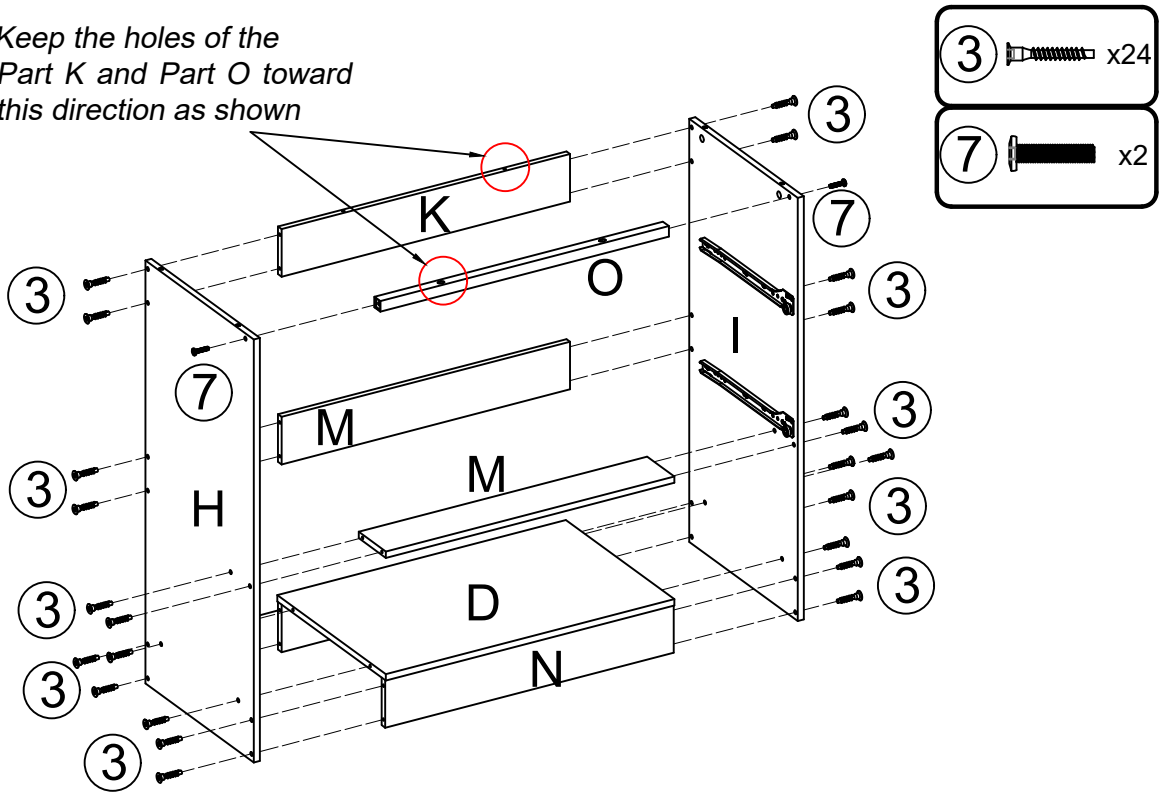
STEP 8



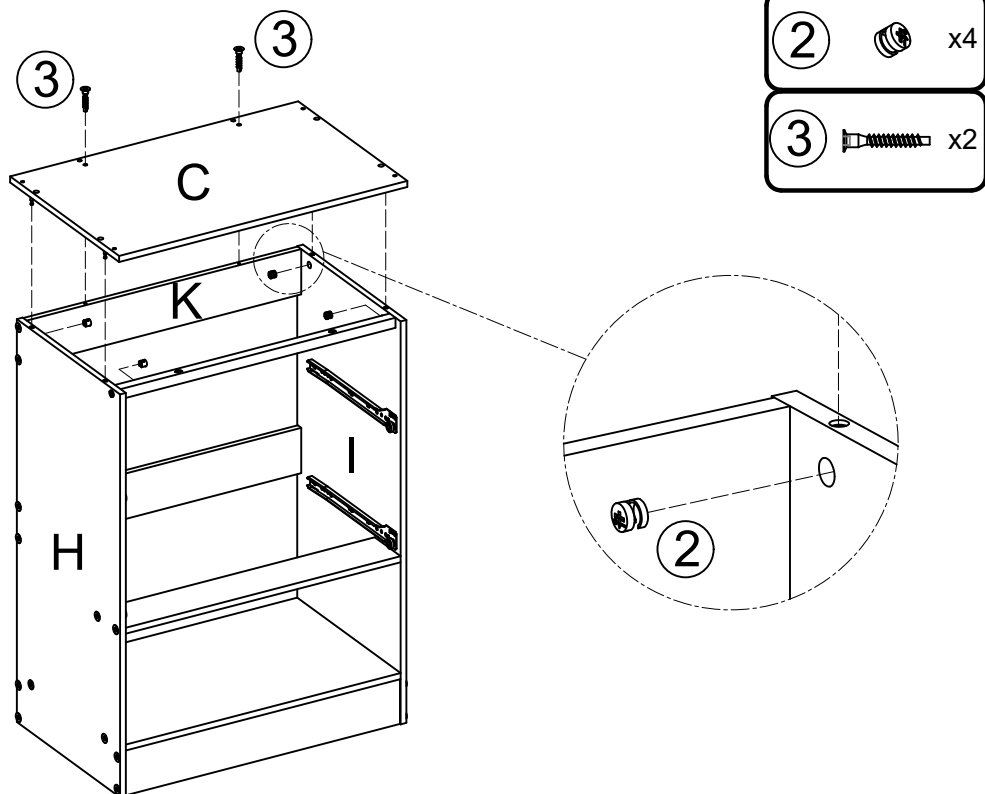
Keep the holes of the Part N toward this direction as shown

STEP 9

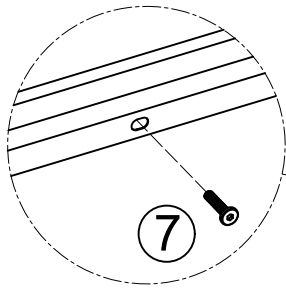
Keep the holes of the
Part K and Part O toward
this direction as shown



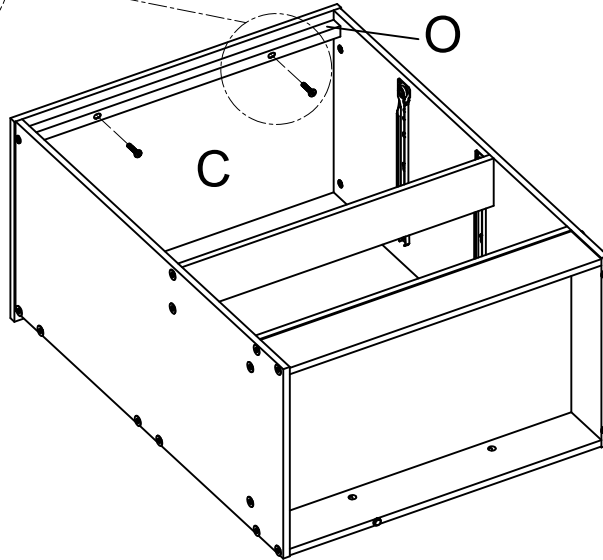
STEP 10



STEP 11



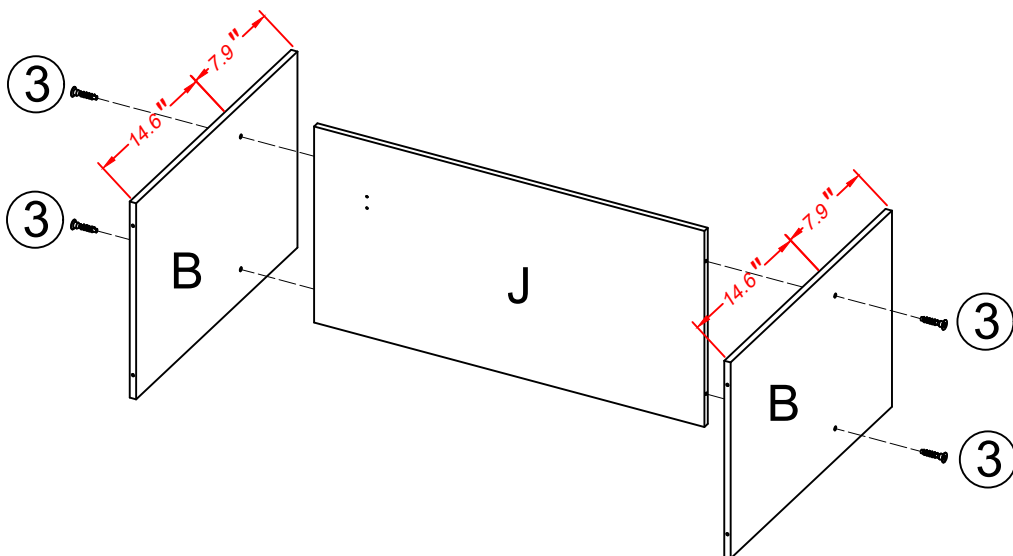
⑦  x2



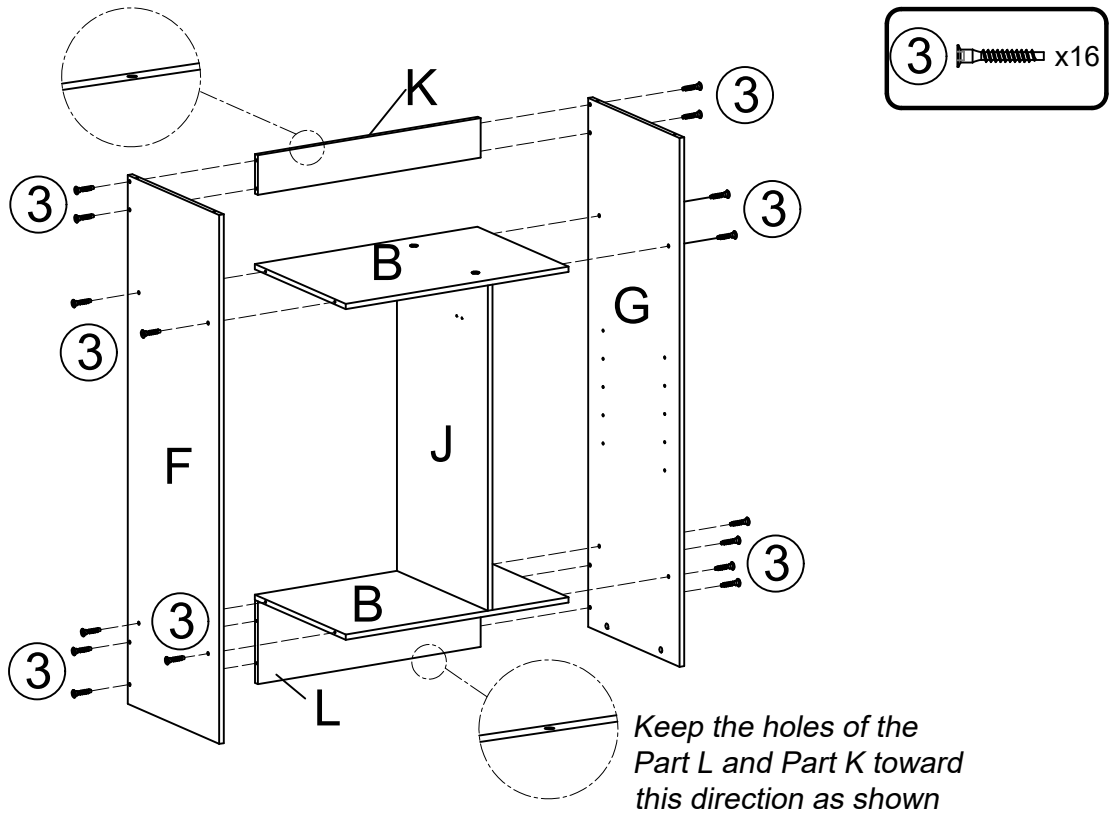
STEP 12

Keep the holes of the Part B and Part J toward this direction as shown

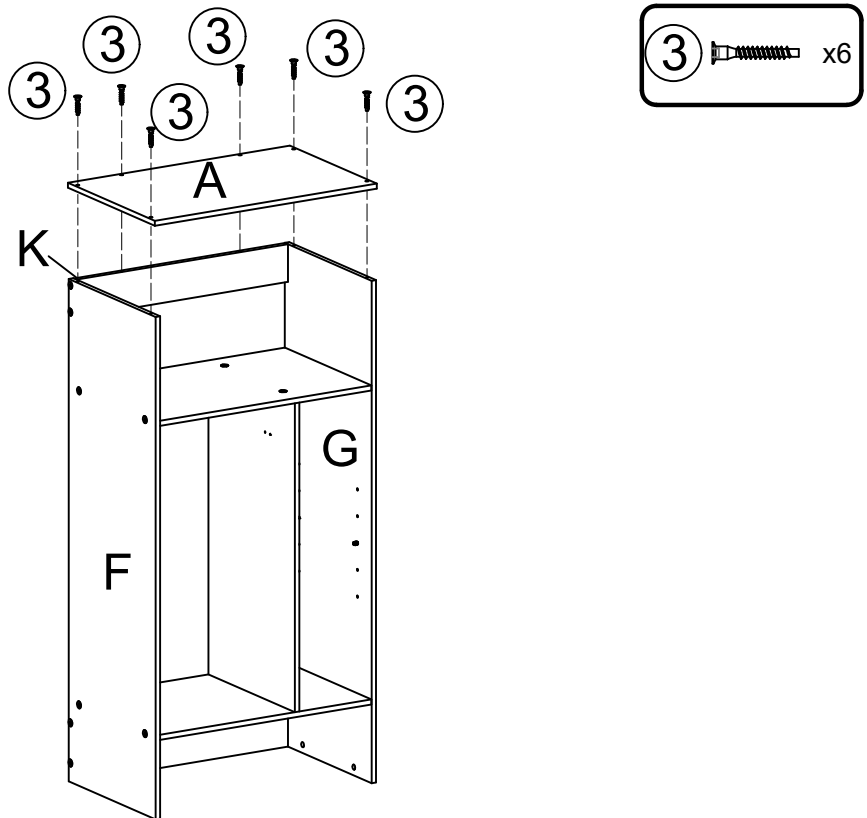
③  x4



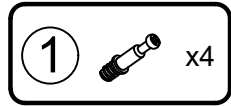
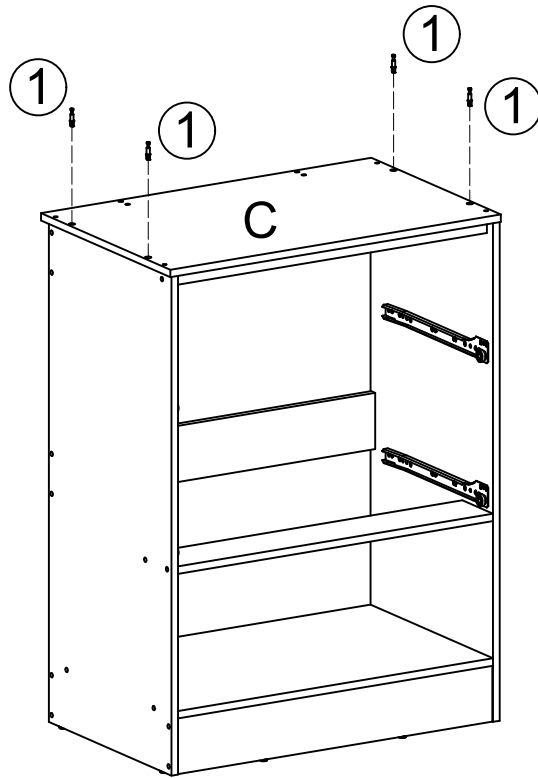
STEP 13



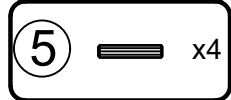
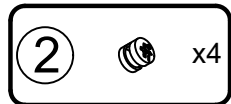
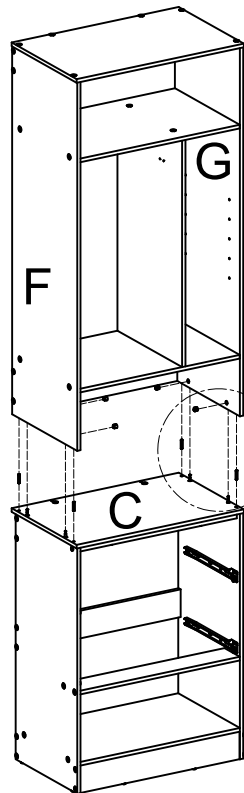
STEP 14



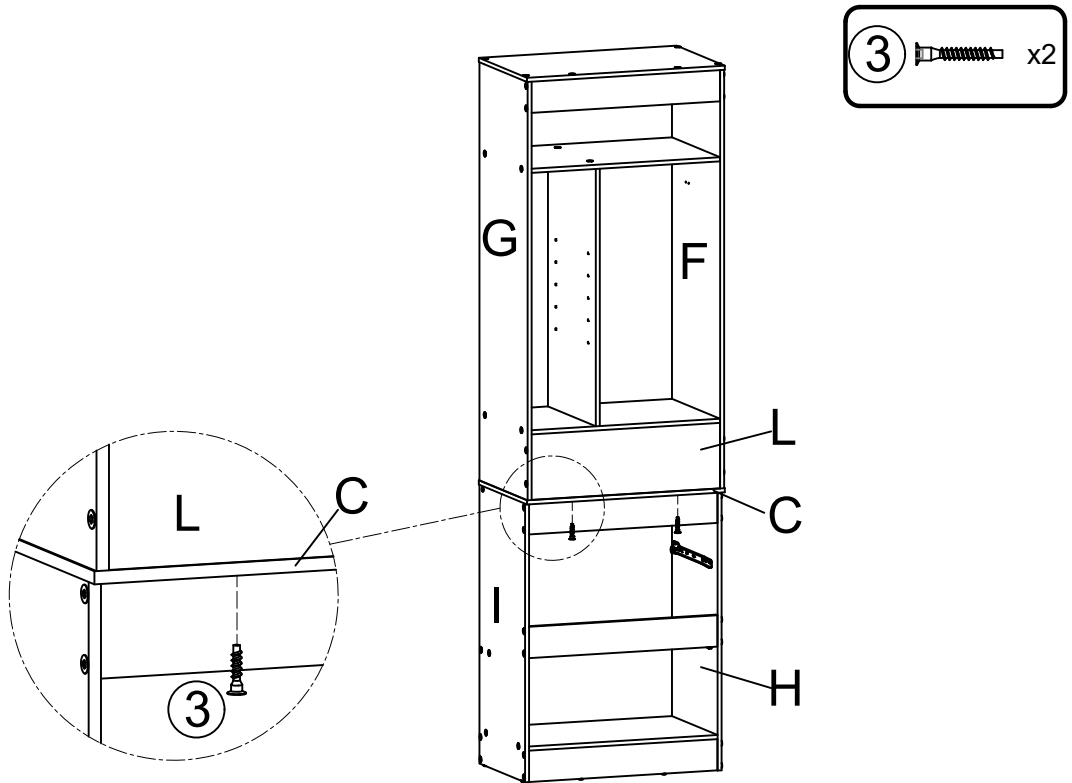
STEP 15



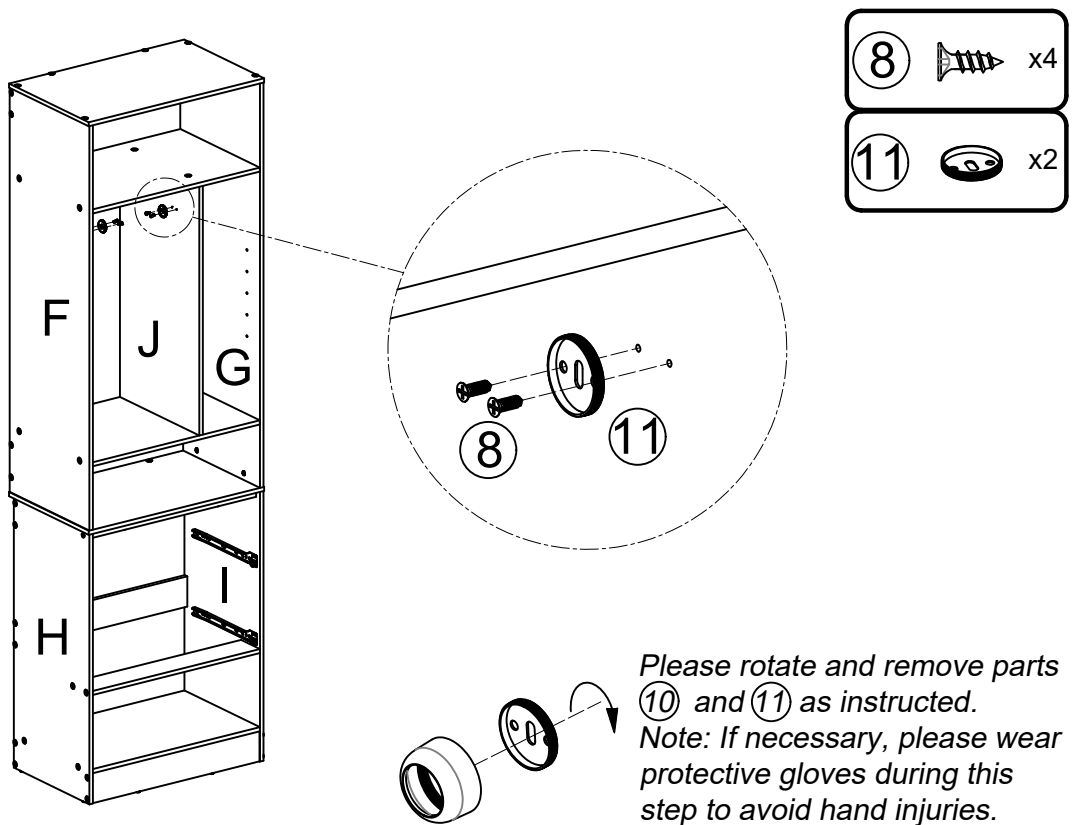
STEP 16



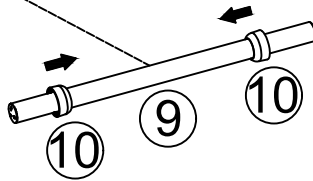
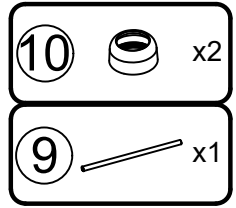
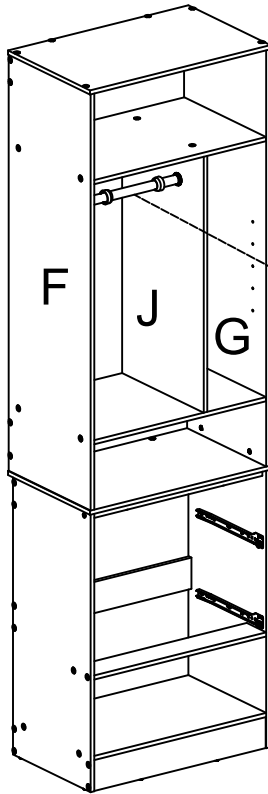
STEP 17



STEP 18

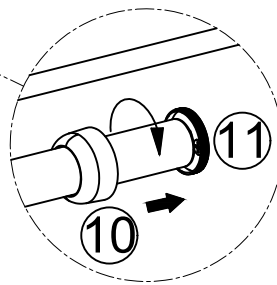
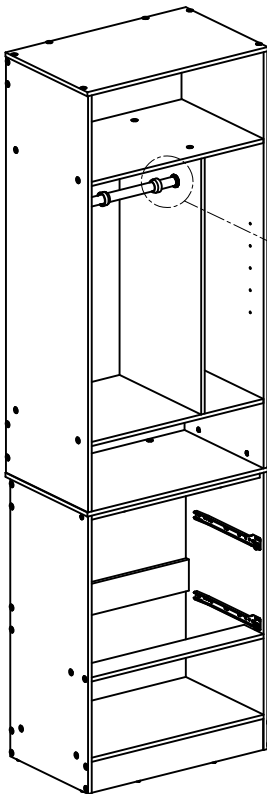


STEP 19

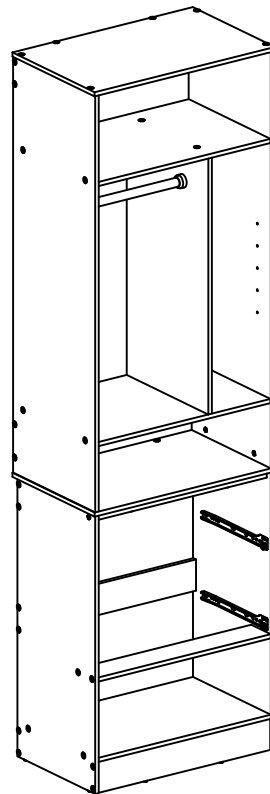


Please slide part ⑩ onto the rod part ⑨ with the threads facing outwards.

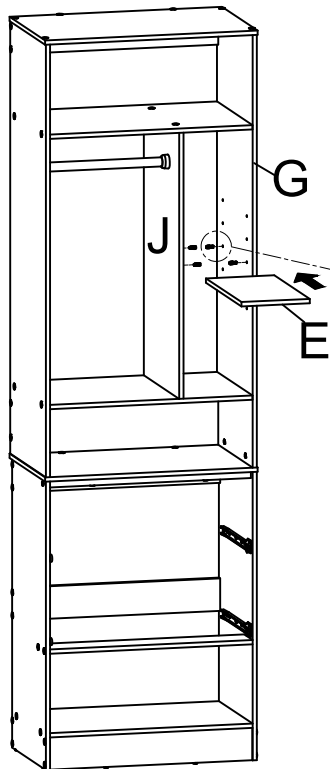
STEP 20



reinstall part ⑩ to part ⑪



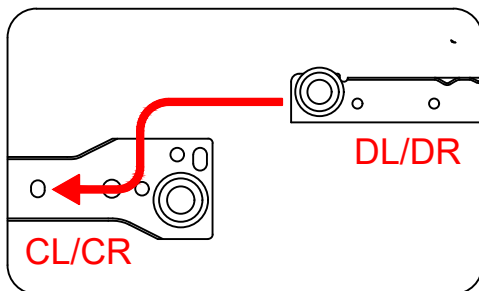
STEP 21



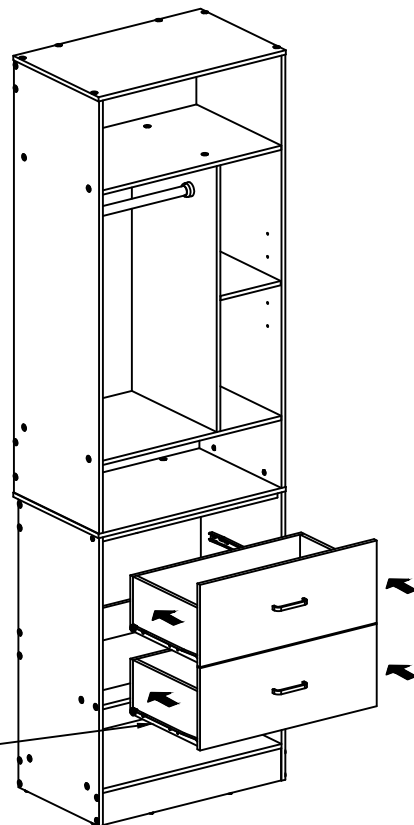
19  x4

There are 5 heights for the shelf to be adjusted as you need.

STEP 22

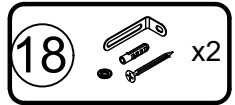


Please put the wheels align with the slots as the instruction shows, then slide into them



STEP 23

TIPPING RESTRAINT HARDWARE



Note: We have included two Tipping Restraint Hardware set for this Unit. When properly installed, this restraint can provide protection against the unexpected tipping of the Unit due to small tremors, bumps or climbing. We strongly recommend mounting this hardware to a wall stud and your Unit.

Note: You must install the Tipping Restraint Hardware with the unit in use to prevent any accidents or damage to the unit.

