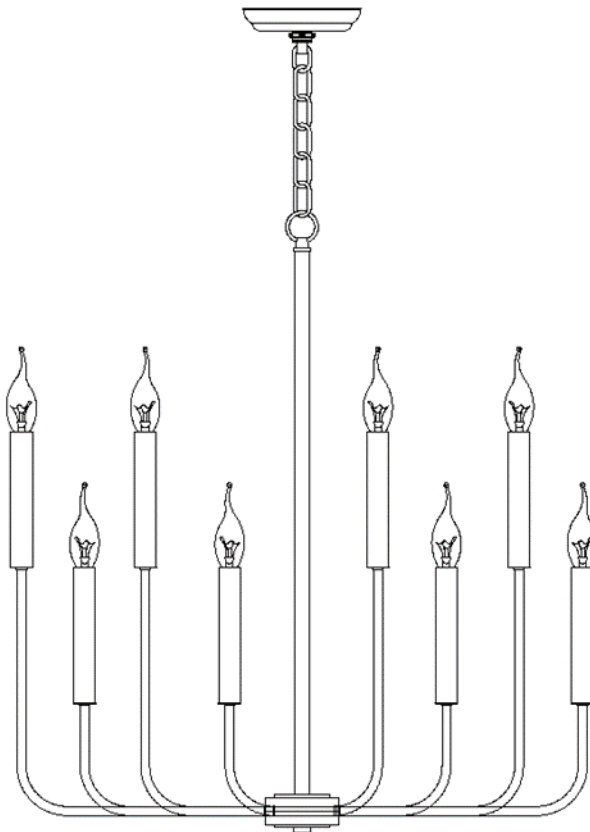

WARNING (To reduce the risk of fire, electric shock, or injury to persons):


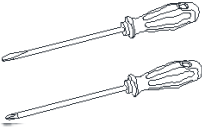




1. We suggest installation by a **licensed electrician**.
2. Please read the instruction carefully and save it as you may need it at later time.
3. Before you start, **NEVER** attempt any work without shutting off the electricity until the work is done. A). Go to the main fuse, or circuit breaker, box in your home. Place the main power switch in the **"OFF"** position. B). Place the wall switch in the **"OFF"** position.
4. Mounting surface should be clean, dry, flat, strong enough and 1/4" larger than the canopy on all side. Any gaps between the mounting surface and canopy exceeding 3/16" should be corrected as required.
5. Make sure that the ceiling or wall can stand the weight of the lamp before fixture.
6. Make sure the voltage you are using is **120V**. The maximum wattage is **40W** per bulb.
7. Keep the lamp away from acidic and basic objects in case of damaging the surface of the lamp.
8. When replacing bulb, you should turn off or unplug the lamp and you must wait until it is cool as bulbs get hot quickly.
9. The safety instructions appearing in this manual are not meant to cover all possible conditions that may occur. It must be understood that common sense, caution and care must be used with any electrical products.

IMAGE FOR FINISHED PRODUCT:



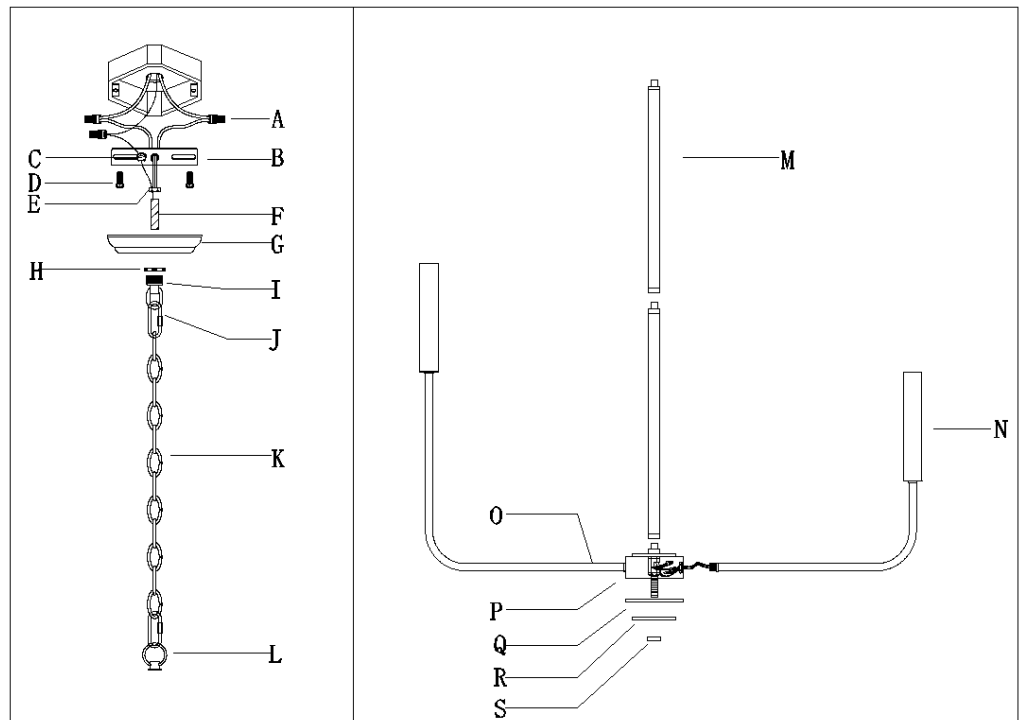
TOOLS REQUIRED (NOT INCLUDED):

Before doing assembly and installation please prepare the needed tools as below picture

					
Ladder	Screwdriver	Electrical tape	Wrench	Wire cutter/stripper	Chain plier

PARTS INCLUDING:

- (B) Single bar (1)
- (C) Green ground screw (1)
- (E) Hex nut (1)
- (F) Nipple (1)
- (G) Canopy (1)
- (H) Threaded ring (1)
- (I) Screw collar loop (1)
- (J) Quick link (2)
- (K) Chain (1)
- (L) Loop (1)
- (M) Tube (2)
- (N) Socket (8)
- (O) Arm (8)
- (P) Fixture body (1)
- (Q) Lid (1)
- (R) Bottom trim (1)
- (S) Finial (1)



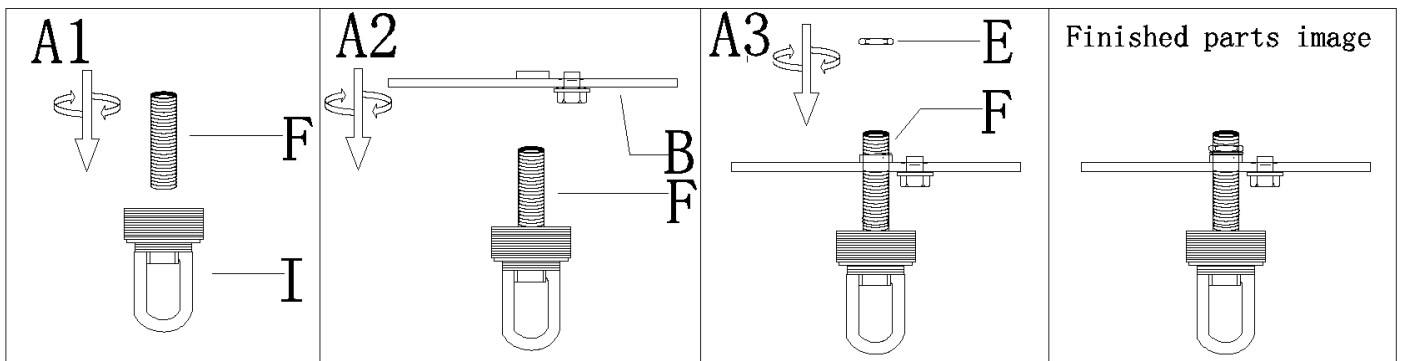
ACCESSORIES ENCLOSED:

- (A) Plastic wire connector (3)
- (D) Mounting screw (2)

ASSEMBLY & INSTALLATION INSTRUCTIONS:

1. Carefully remove the fixture from the carton and check that all parts and accessories are included as shown in the above illustration
2. Make assembly

1. If the group of parts are not already assembled:

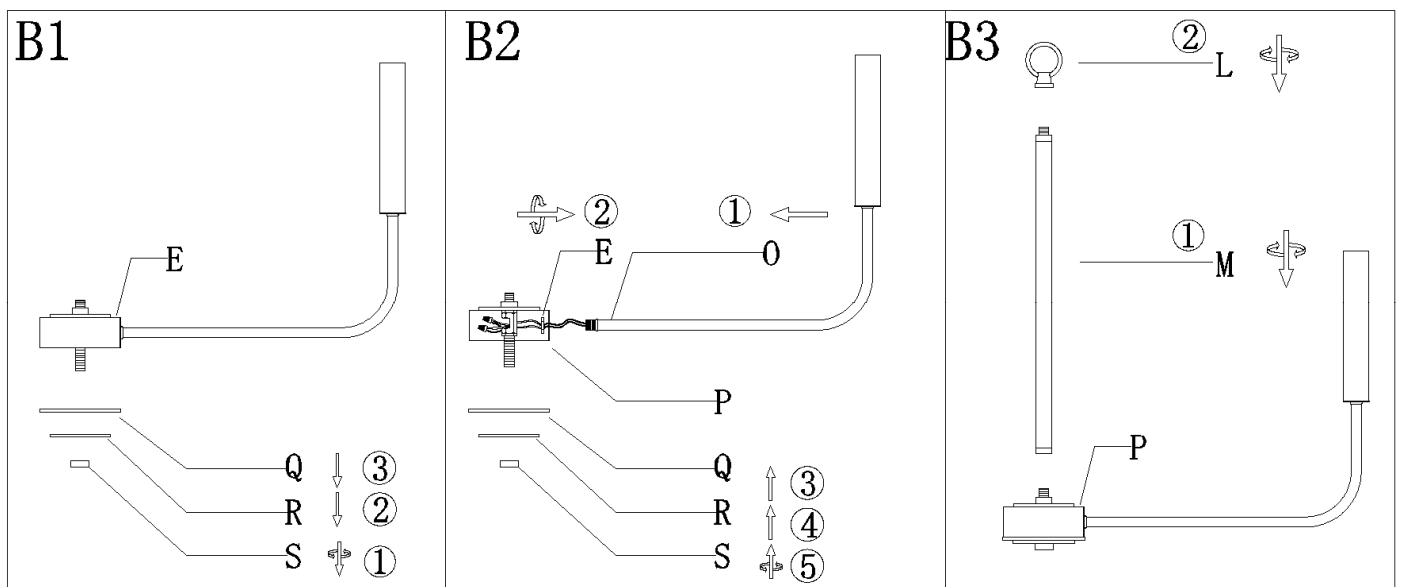


Step A1: Thread the nipple (F) into the screw collar loop (I) until snug

Step A2: Thread the another end of nipple (F) into single bar (B) then place hex nut (E) and washer (M) over the top of nipple (F).

Step A3: Tighten the hex nut (E) until tight. At this point, the side of single bar marked "GND" must face to the screw collar loop (I).

2. Make fixture assembly



Sept B1: Unscrew the finial (S) from fixture body (P) then remove the bottom trim (R) and lid (Q) from fixture body (E)

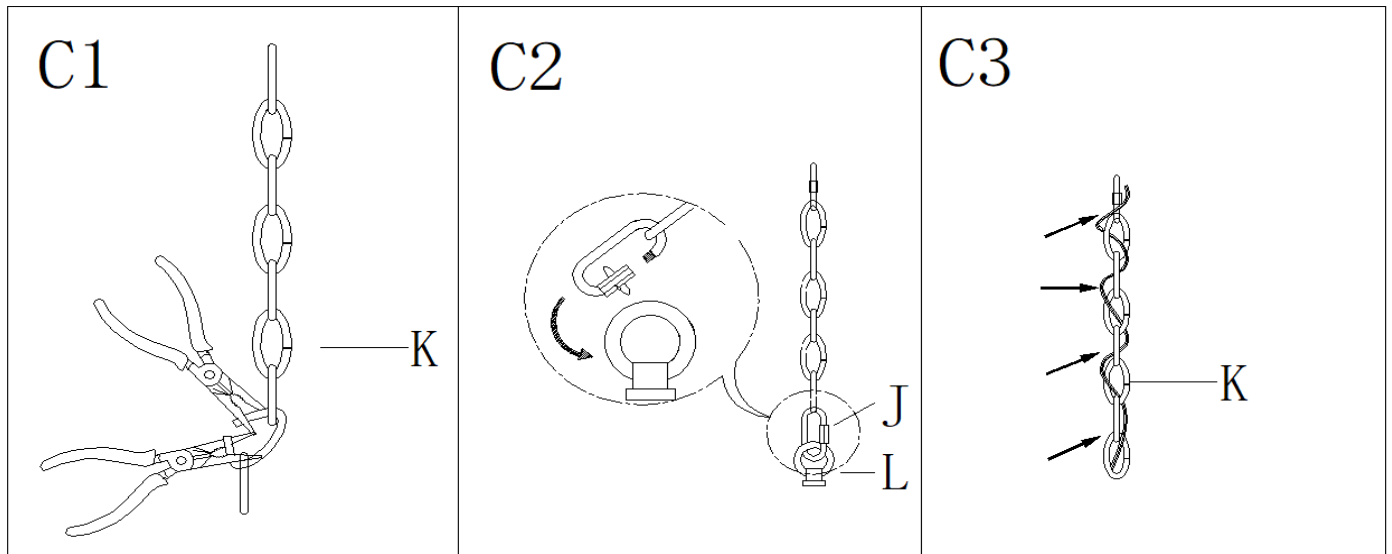
Sept B2: Carefully pull the wires and push the threaded ends of arm (O) into fixture body (P), slide washer over the threaded end of arms (O), then secure with the nut (E).

Position lid (Q) and bottom trim (R) over the nipple (F) in the center of fixture body (P), secure with the finial (S)

Step B3: carefully pass fixture wires through tubes (M)

Thread the tubes (M) onto the fixture body (P) until snug, then thread the loop (L) onto the tube (M).

3. Make pre-installation



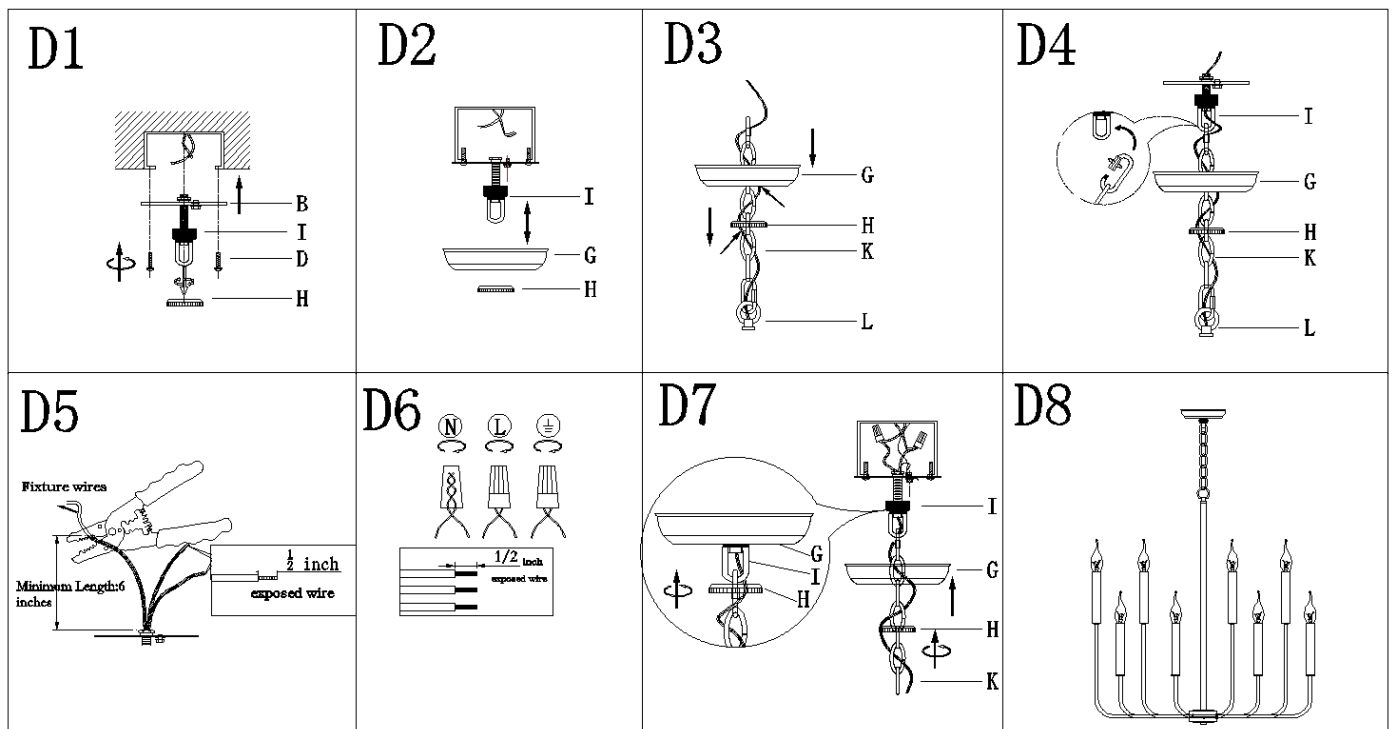
Step C1: By measuring, determine the correct number of links needed for proper hanging height. Using the chain pliers, disconnect and discard the remaining chain.

Step C2: Attach a quick link(J) to loop(L) on the top tube(M) and to connect the end of chain(K).

Step C3: Gently lace wires through chain (K),top trim(M),long chain (K)to the top of another quick link(J)

4. Turn off power

5. Make installation



Step D1: .Attach single bar (B) to outlet box with mounting screw (D). The side of single bar marked "GND" must face out
Unscrew threaded ring (H) from collar loop (I)

Step D2: Raise the canopy (G) through collar loop (I) and screw the collar loop (I) to a proper position by measuring.
Unscrew threaded ring (H) from collar loop (I) and remove the canopy (G).

Step D3: Slip threaded ring(H) over the chain(K)and wires,then do the same with the canopy(G)

Step D4: Open the quick link (J)then attach to the screw collar loop(I). Close the quick link(J).

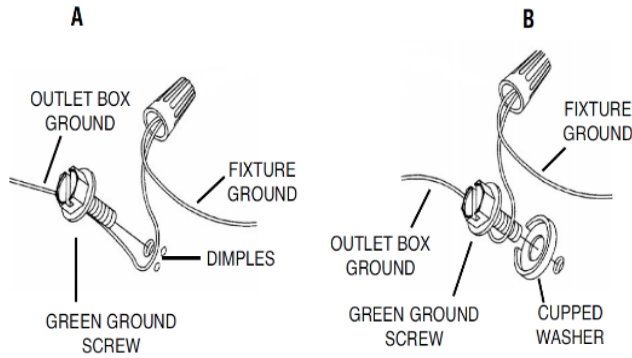
Pass the wires through screw collar loop(I) to the top of nipple(F)

Step D5: If needed, cut off the extra power cord length on the fixture 2 wire cord and bare ground wire so that they all are at least 6 inches (152.4 mm) long within the outlet box .

Step D6: Make wire connections

Connect wires as below wires connecting shown. **TAKE NOTE OF YOUR COLOR OF FIXTURE ,NEVER CONNECT WIRES TO GROUND WIRES**

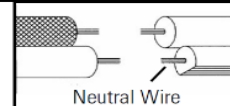
Connect ground wire according to below chart



Connect wires according to below chart

Connect Black or Red Supply Wire to:	Connect White Supply Wire to:
Black	White
*Parallel cord (round & smooth)	*Parallel cord (square & ridged)
Clear, Brown, Gold or Black without tracer	Clear, Brown, Gold or Black with tracer
Insulated wire (other than green) with copper conductor	Insulated wire (other than green) with silver conductor

*Note: When parallel wires (SPT I & SPT II) are used. The neutral wire is square shaped or ridged and the other wire will be round in shape or smooth (see illus.)



Twist plastic wire connector(A) until wires are tightly joined together,wrap each connector with approved electrical tape and carefully stuff all wires into the outlet box

Step D7:Raise canopy(G) to ceiling and secure canopy(G) in place by tightening threaded ring (H)onto collar loop(I)

Step D8: Install bulb (Not included. Please do not exceed the maximum capacity recommended on the socket.)

6. Check everything already is installed properly, then you could turn on the light.

CLEANING

To clean, wipe fixture with a soft cloth. Do not use abrasive materials such as scouring pads or powders, steel wool or abrasive paper.

ORDERING PARTS

Keep this sheet for future reference, and in case you need to order replacement parts. All parts for this fixture can be ordered from place of purchase. Be sure to use exact wording from illustration when ordering parts.