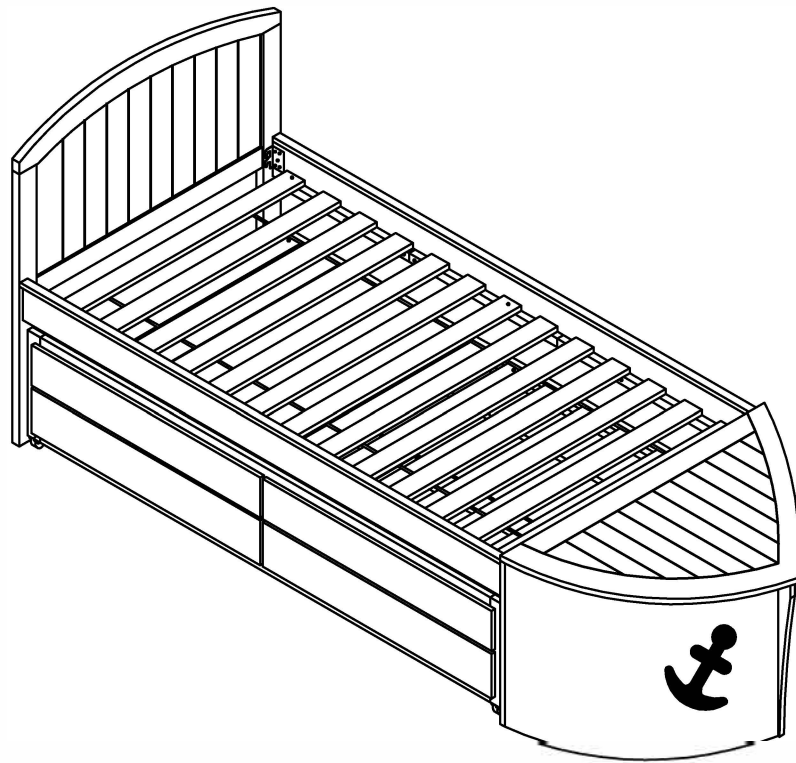


Assembly Instructions



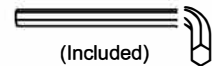
ASSEMBLY RATING

The Assembly Rating is a 5-point system that shows the degree of effort needed in assembling a specific product (with 1 being easy and 5 being difficult). For some products, two persons are recommended.

EASY  DIFFICULT

Tools Required For Assembly:

Allen Wrench



(Included)

Phillips Screwdriver



(Not Included)

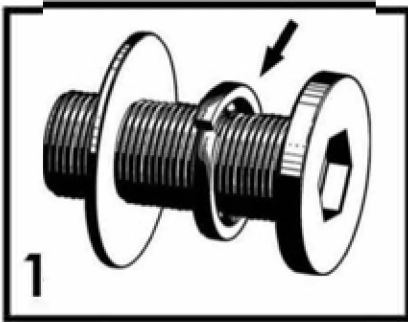


2 PERSONS RECOMMENDED

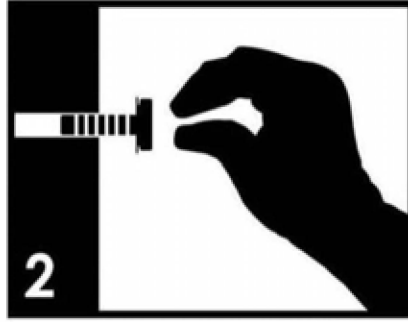
ASSEMBLY & CARE ADVICE

FOR YOUR FURNITURE TO LAST, CORRECT ASSEMBLY AND PROPER MAINTENANCE ARE NECESSARY. PLEASE FOLLOW THE INFORMATION PROVIDED BELOW TO FULLY ENJOY YOUR FURNITURE.

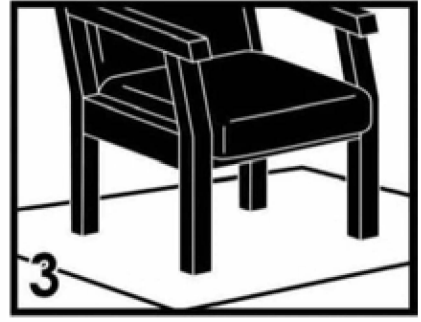
BASIC ASSEMBLY TECHNIQUES



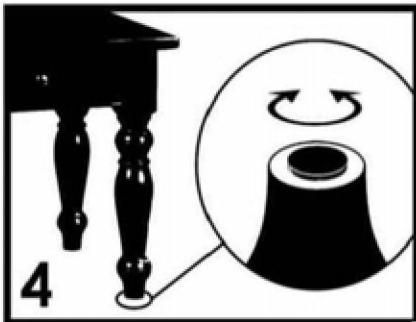
When lock or spring washer is used in an assembly, please make sure the lock or spring washer is placed between the larger flat washer and the head of the screw or bolt.



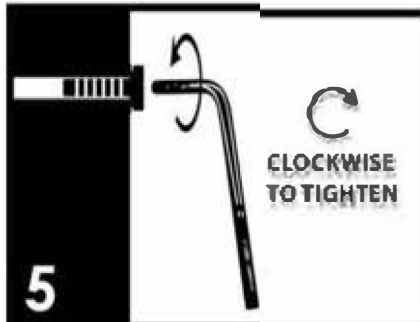
Position each part correctly and insert screws or bolts into their respective holes by hand tighten or using the proper hand tool. Only tighten when step is completed or when instructed to do so.



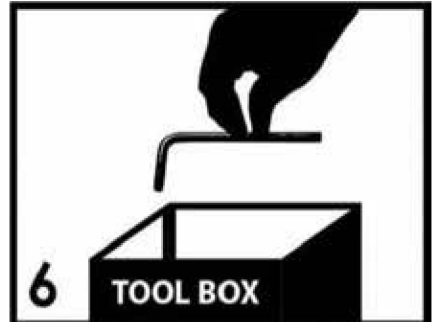
Use cardboard or carpet area when assembling furniture to prevent scratches. Make sure the furniture rests on a flat and level surface with each leg evenly touching the floor.



Some furniture comes with height adjustment knobs underneath each leg. To lower or to raise each leg, you need to turn clockwise or counterclockwise, respectively.



Make sure all parts are properly aligned, then use the appropriate hand tool to completely tighten the bolts or screws. Do not use power tools and do not overtighten.



Save the instructions and store the Allen wrench or any supplied tool for later maintenance. After two weeks, check and tighten any loose hardware and repeat again every six months thereafter.

IT IS THE USER'S RESPONSIBILITY TO MAINTAIN THE FURNITURE. THE HARDWARE MAY LOOSEN OVER TIME AND MAY CAUSE THE FURNITURE TO BE WOBBLY AND UNABLE TO SUPPORT ITS INTENDED WEIGHT CAPACITY. THIS MAY LEAD TO COLLAPSE AND MAY CAUSE SERIOUS INJURY.



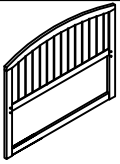
FAILURE TO FOLLOW THE GUIDELINES ABOVE MAY RESULT IN INJURY AND/OR PROPERTY DAMAGE.



Before you begin, please read Page 2 of "Assembly and Care Advice".

And remember, do not tighten until each step is completed or instructed.

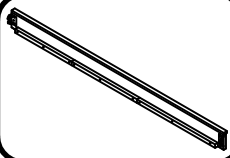
Parts List



#1 x 1pc
Headboard



#7 x 2pcs
Crossbar



#2 x 2pcs
Side Rails



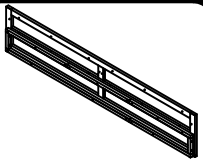
#8 x 2pcs
Front Drawer Panel



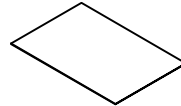
#3 x 1pc
Footboard



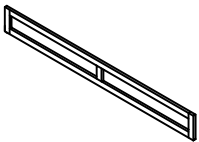
#9 x 4pcs
Side Drawer Panel (L&R)



#4 x 1pc
Front Trundle



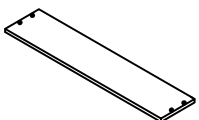
#10 x 2pcs
Bottom Drawer Panel



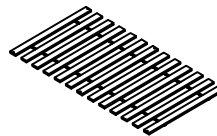
#5 x 1pc
Back Trundle



#11 x 2pcs
Back Drawer Panel



#6 x 2pcs
Side Trundle



#12 x 2set
Twin Kit Slat (13pcs)



Before you begin, please read Page 2 of "Assembly and Care Advice".

And remember, do not tighten until each step is completed or instructed.

Hardware List



#A x 8pcs
Bolt Ø1/4" x 1-3/8"



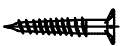
#B x 8pcs
Bolt Ø1/4" x 1"



#C x 12pcs
Flat Washer Ø1/4"



#D x 4pcs
Hex Nuts



#E x 16pcs
Screw #3/16" x 1-3/16"



#F x 16pcs
Screw #3/16" x 1"



#G x 8pcs
Screw #3/16" x 3/4"



#H x 2pcs
Screw #2/16" x 9/16"



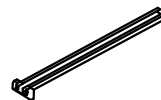
#I x 4pcs
Screw #2/16" x 1/2"



#J x 8pcs
Wood Dowel Ø1/4"x1-3/16"



#K x 4pcs
Wheel



#L x 2pcs
Scroll Bar

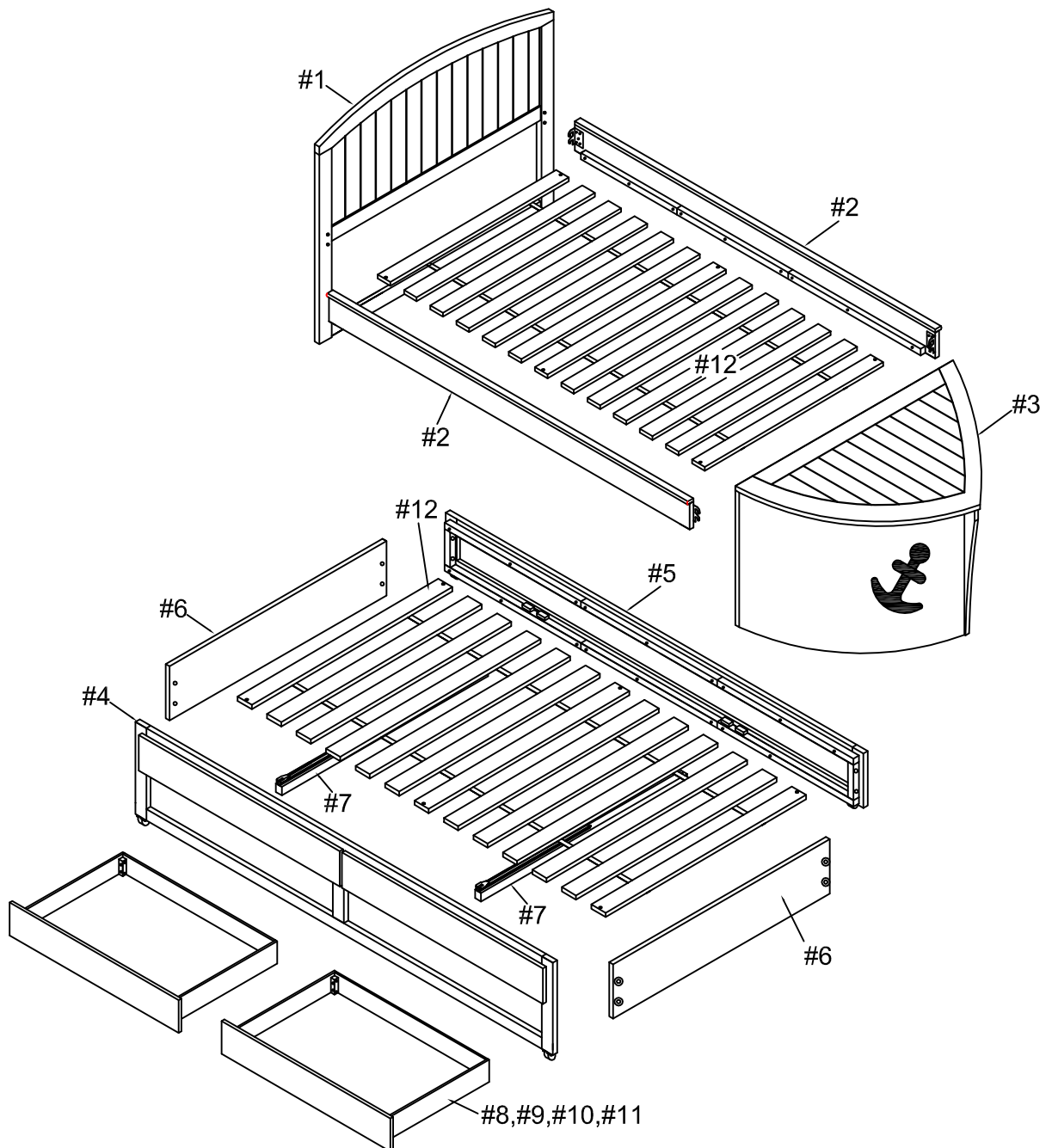


#M x 1pc
Allen Wrench 4mm



Before you begin, please read Page 2 of "Assembly and Care Advice".

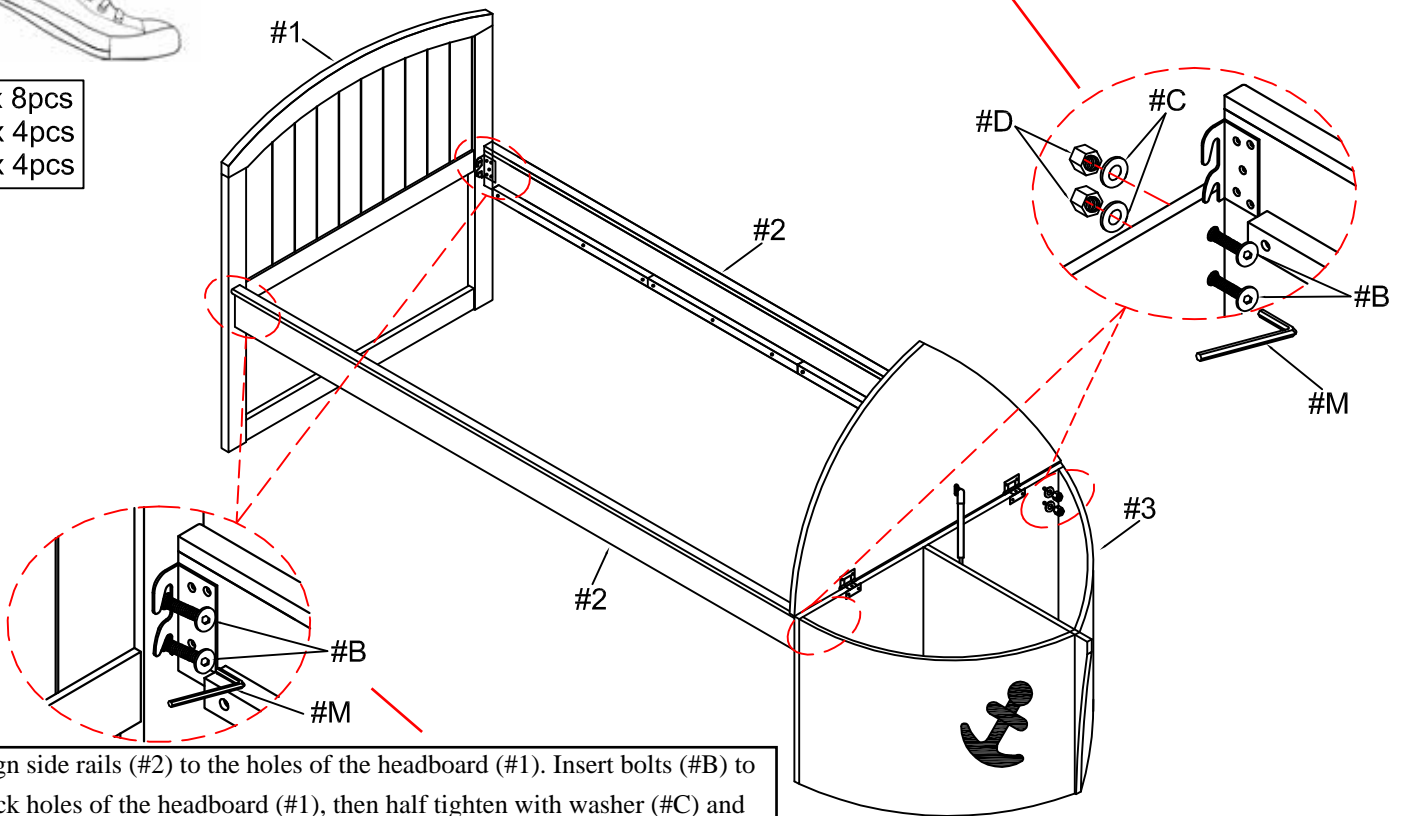
And remember, do not tighten until each step is completed or instructed.





1) Align side rails (#2) to the holes of the footboard (#3). Insert bolts (#B) to the back holes of the footboard (#3), then half tighten with washer (#C) and nuts (#D) through the interior of the footboard (#3). Hook side rails (#2) to the bolts (#B), then fully tighten.

#B x 8pcs
#C x 4pcs
#D x 4pcs

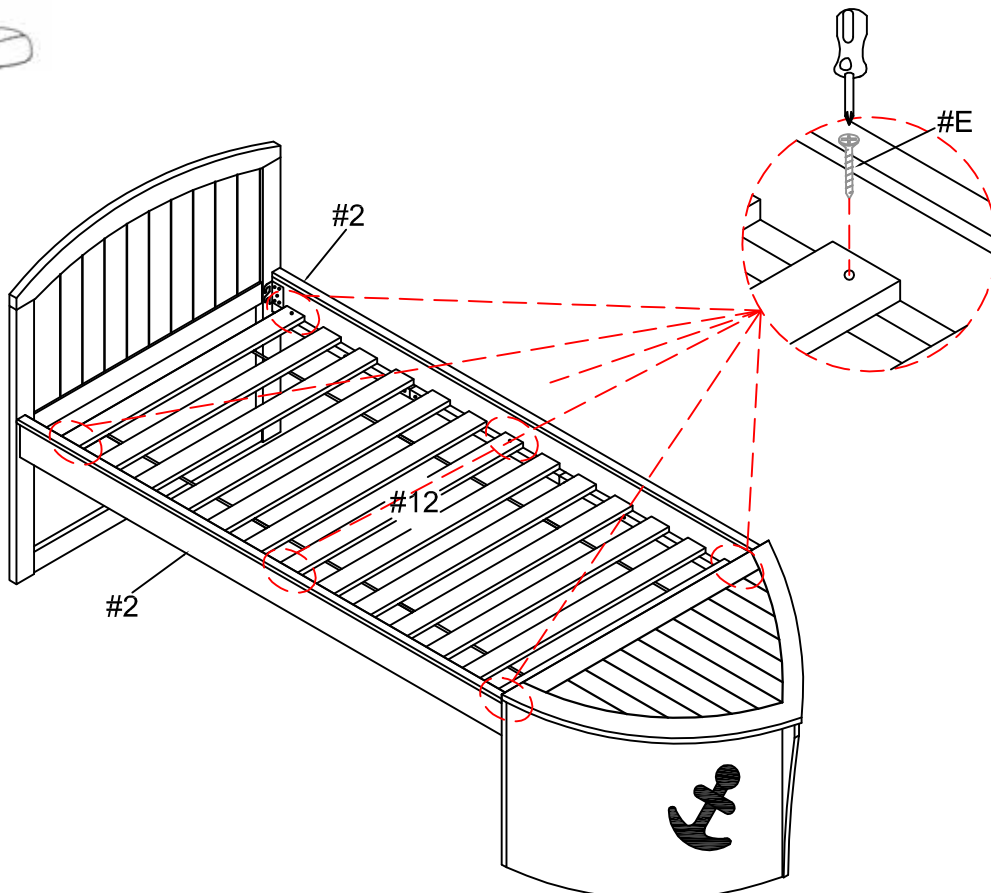


2) Align side rails (#2) to the holes of the headboard (#1). Insert bolts (#B) to the back holes of the headboard (#1), then half tighten with washer (#C) and nuts (#D) through the other side of the headboard (#1). Hook side rails (#2) to the bolts (#B), then fully tighten.



Align twin kit slat (#12) to the side rails (#2). Secure with screws (#E).

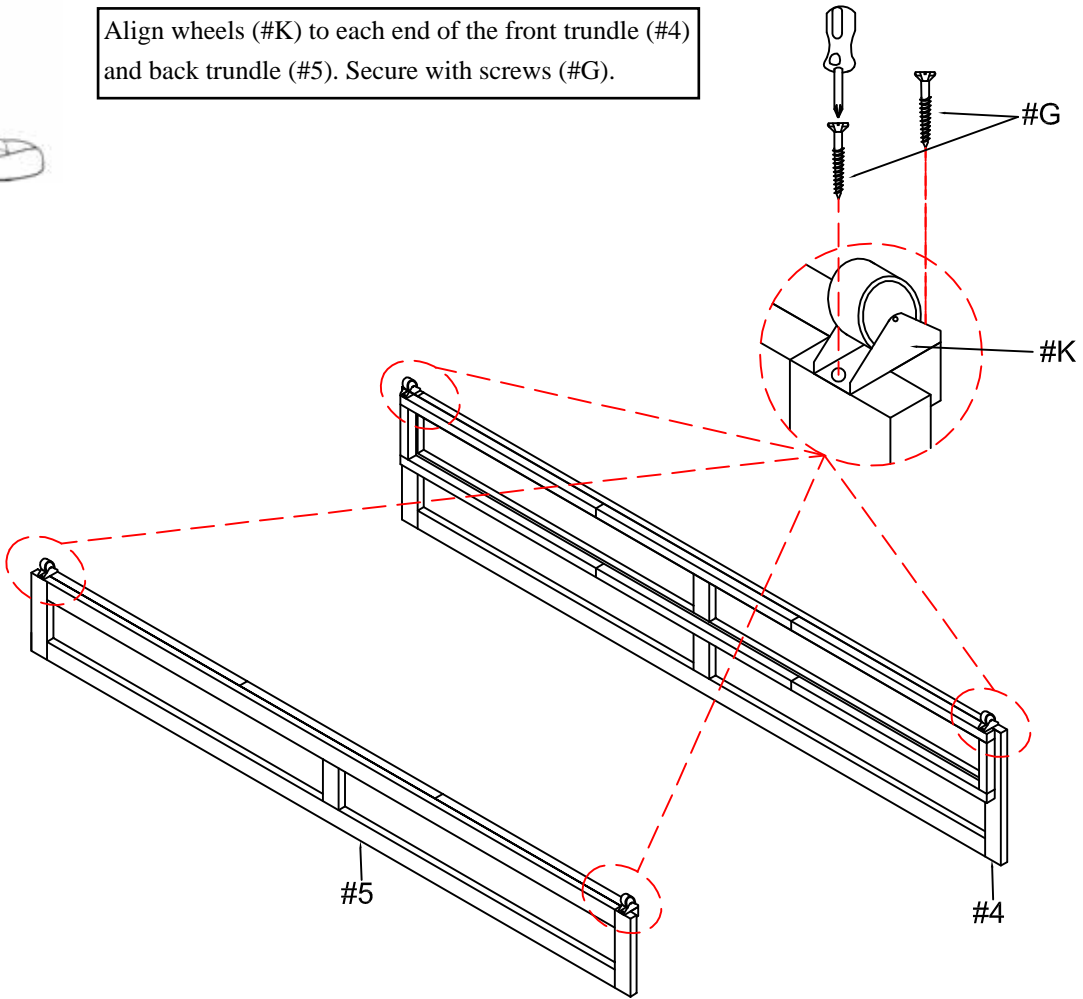
#E x 6pcs





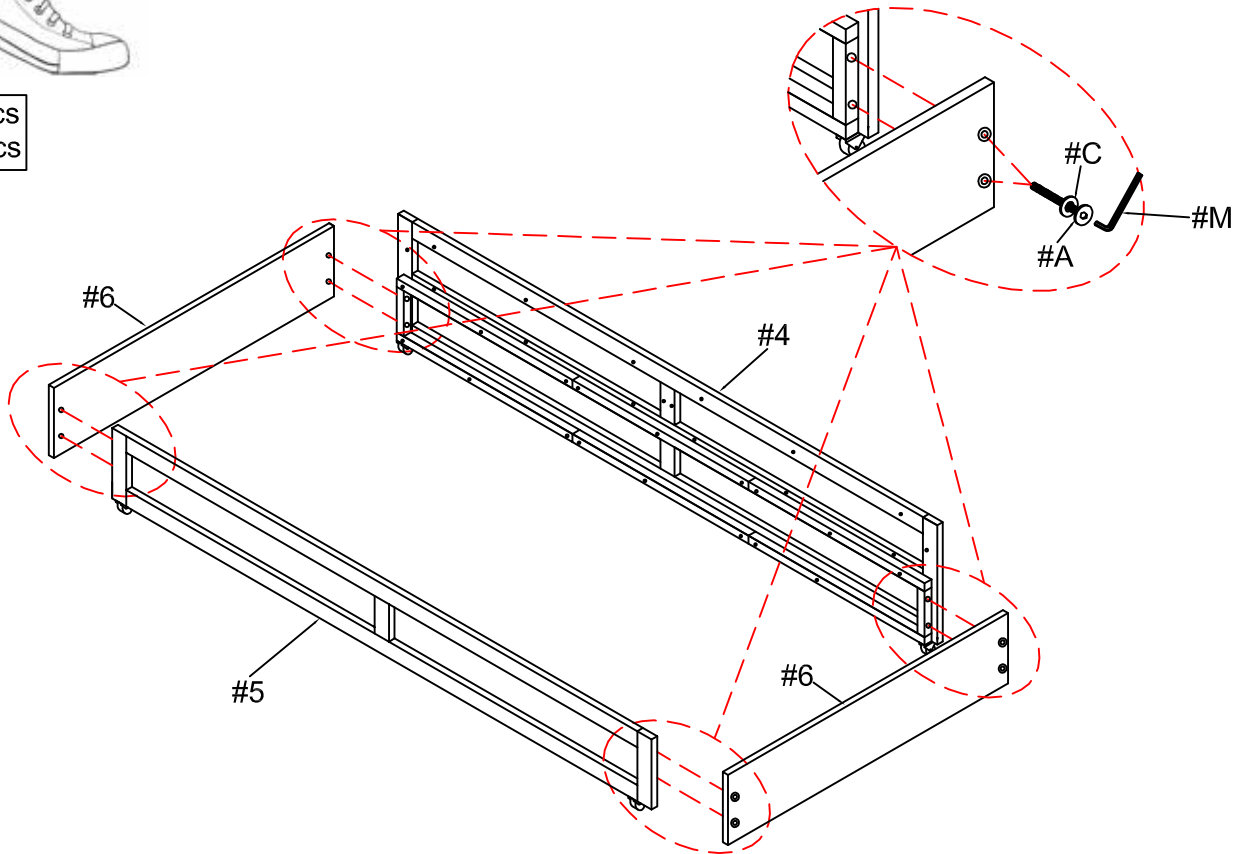
Align wheels (#K) to each end of the front trundle (#4) and back trundle (#5). Secure with screws (#G).

#G x 8pcs
#K x 4pcs



Prepare 8 bolts assembly by inserting washer (#C) onto bolts (#A). Align side trundles (#6) to the holes of the front (#4) and back trundle (#5). Secure with bolts (#A).

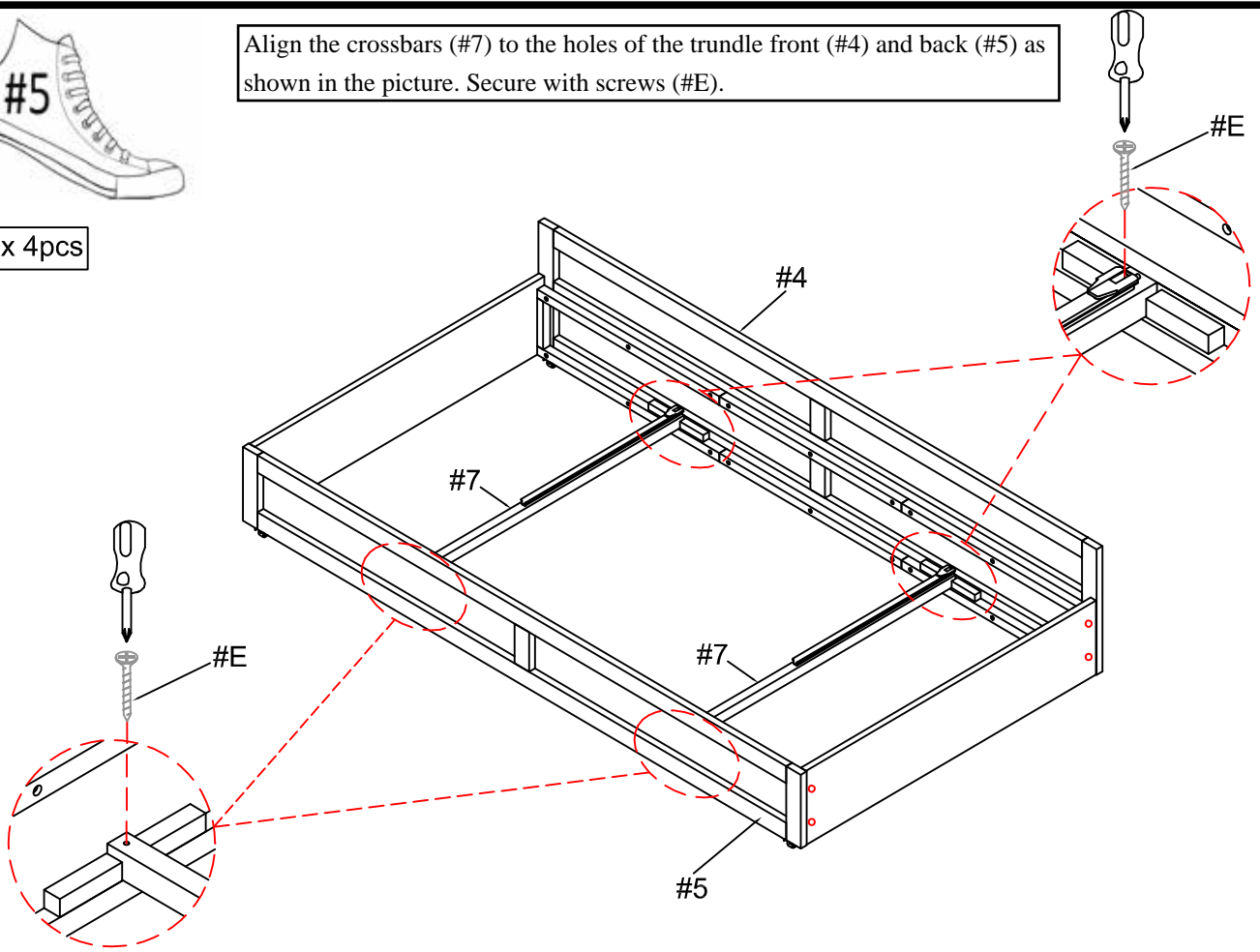
#A x 8pcs
#C x 8pcs





Align the crossbars (#7) to the holes of the trundle front (#4) and back (#5) as shown in the picture. Secure with screws (#E).

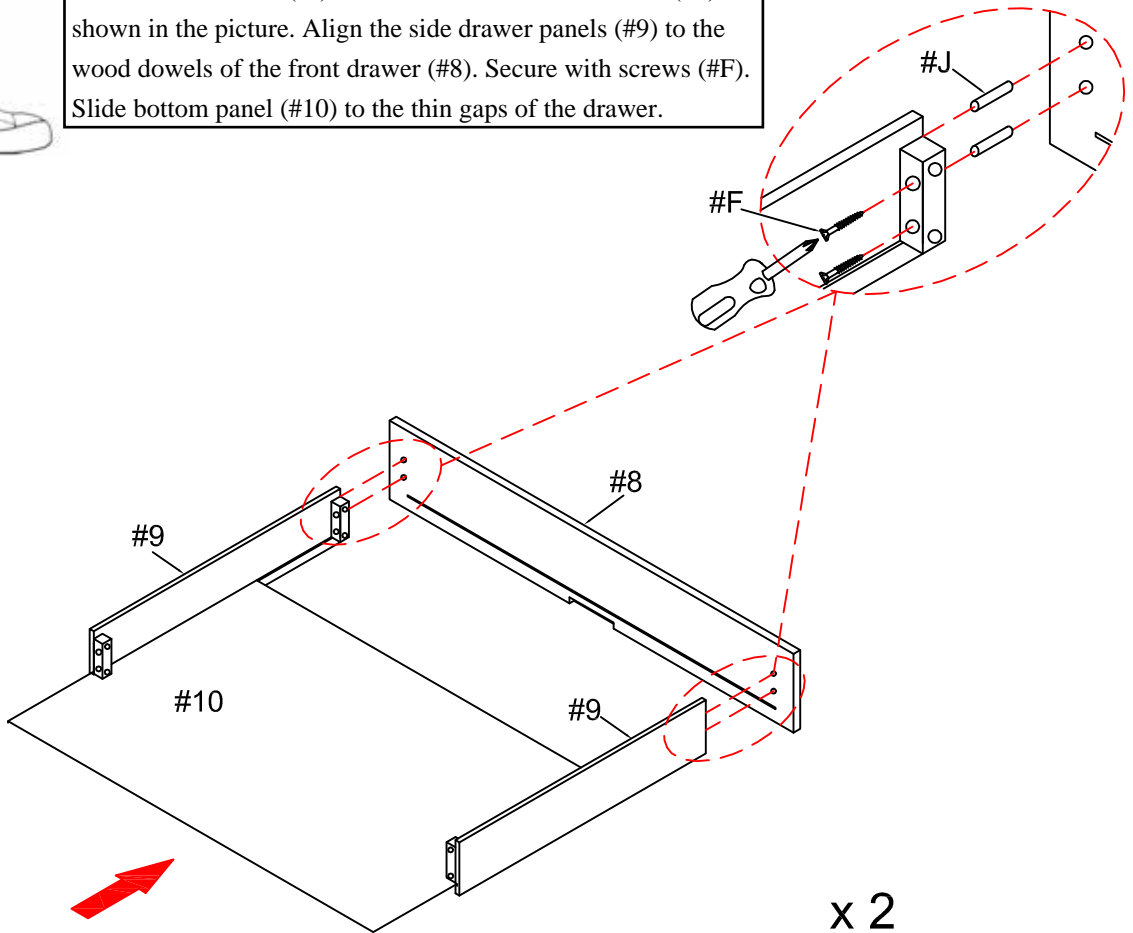
#E x 4pcs



Insert wood dowels (#J) to the holes of the front drawer (#8) as shown in the picture. Align the side drawer panels (#9) to the wood dowels of the front drawer (#8). Secure with screws (#F). Slide bottom panel (#10) to the thin gaps of the drawer.

#F x 4pcs

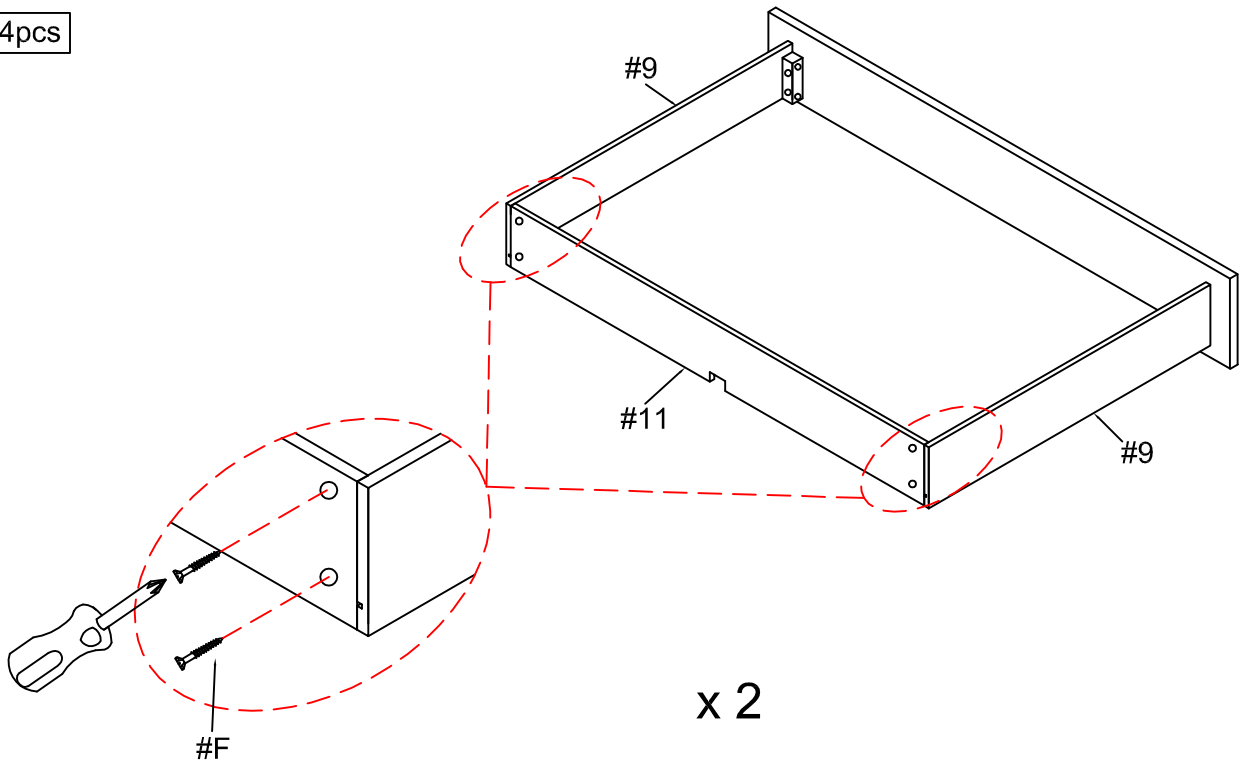
#J x 4pcs





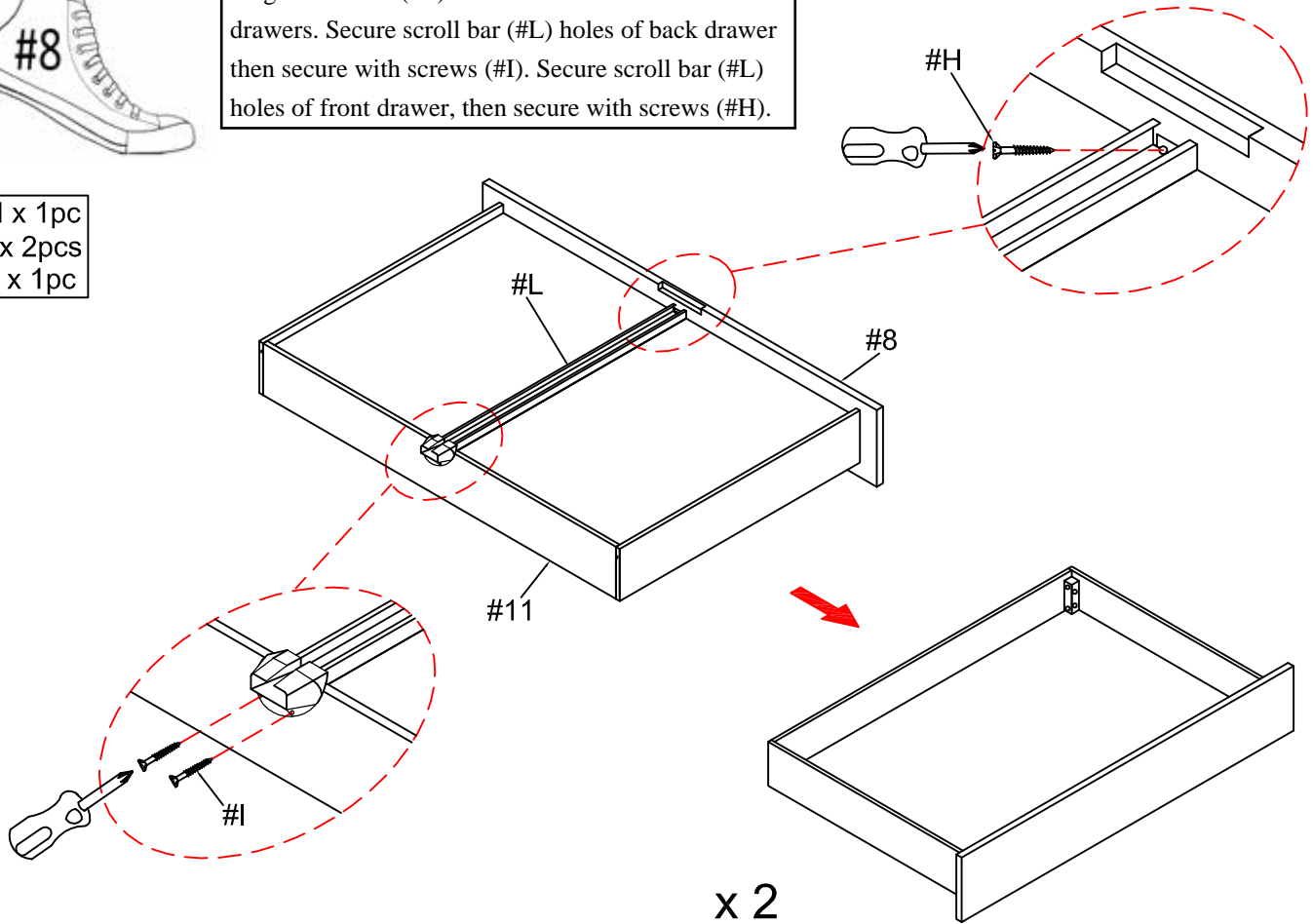
Align back drawer (#11) to the holes of the side drawer (#9). Secure with screws (#F).

#F x 4pcs



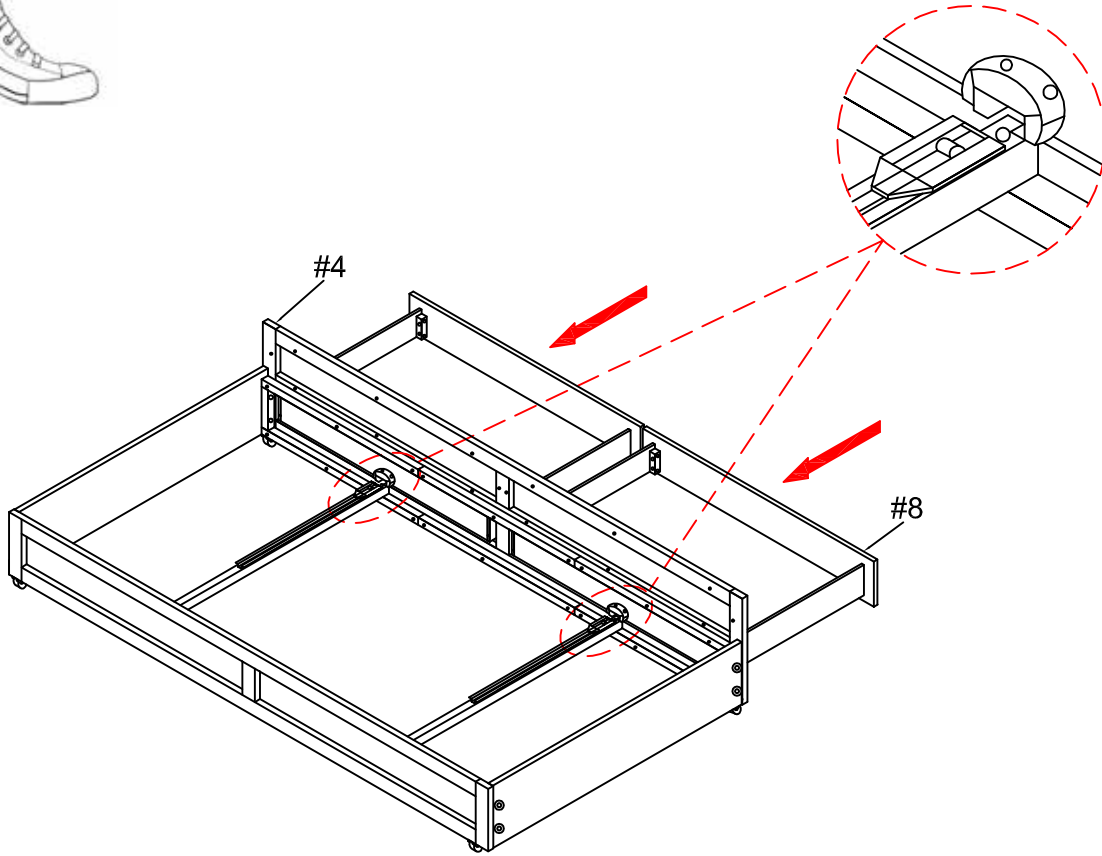
Align scroll bar (#L) to the holes on the bottom of the drawers. Secure scroll bar (#L) holes of back drawer then secure with screws (#I). Secure scroll bar (#L) holes of front drawer, then secure with screws (#H).

#H x 1pc
#I x 2pcs
#L x 1pc



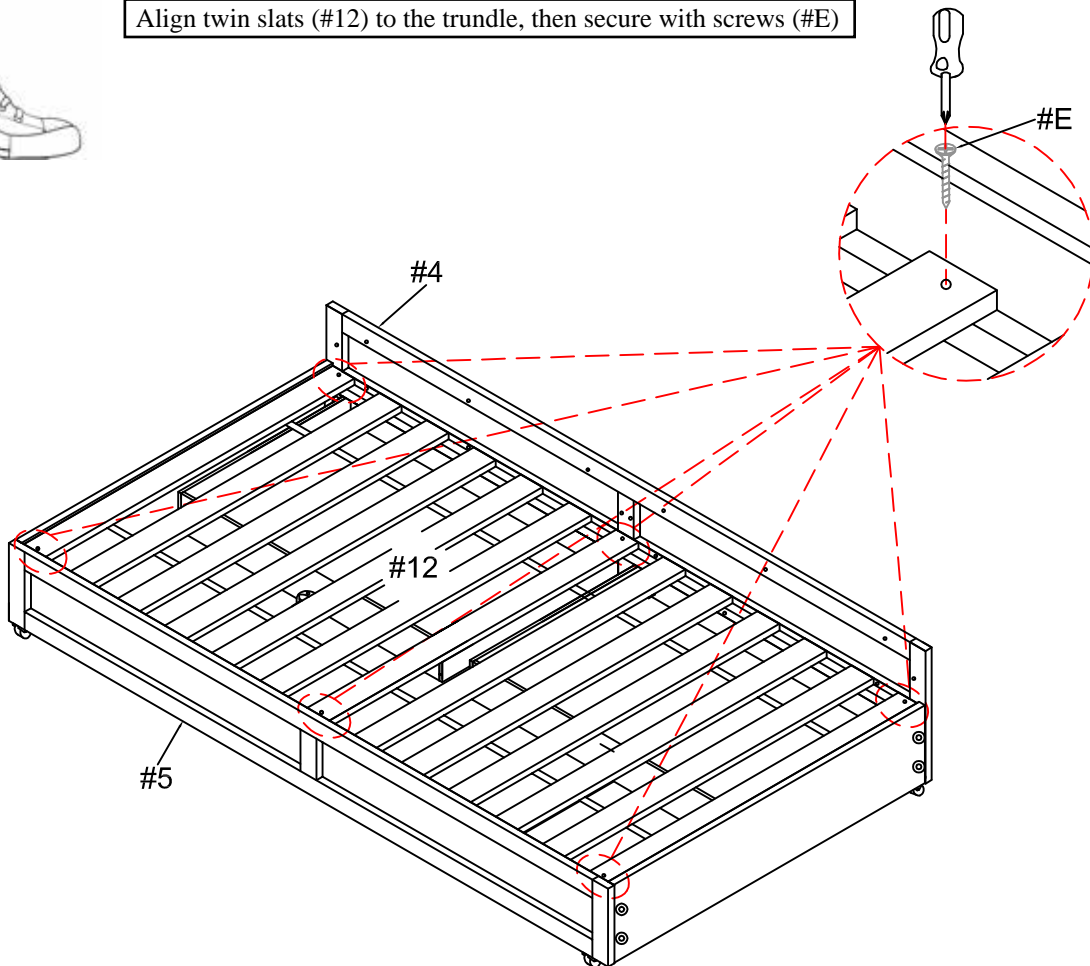


Slide the bottom scroll bar (#L) through the crossbars (#7) of the trundle. Make sure it is in place.



Align twin slats (#12) to the trundle, then secure with screws (#E)

#E x 6pcs





Insert trundle to the bottom of the bed.

