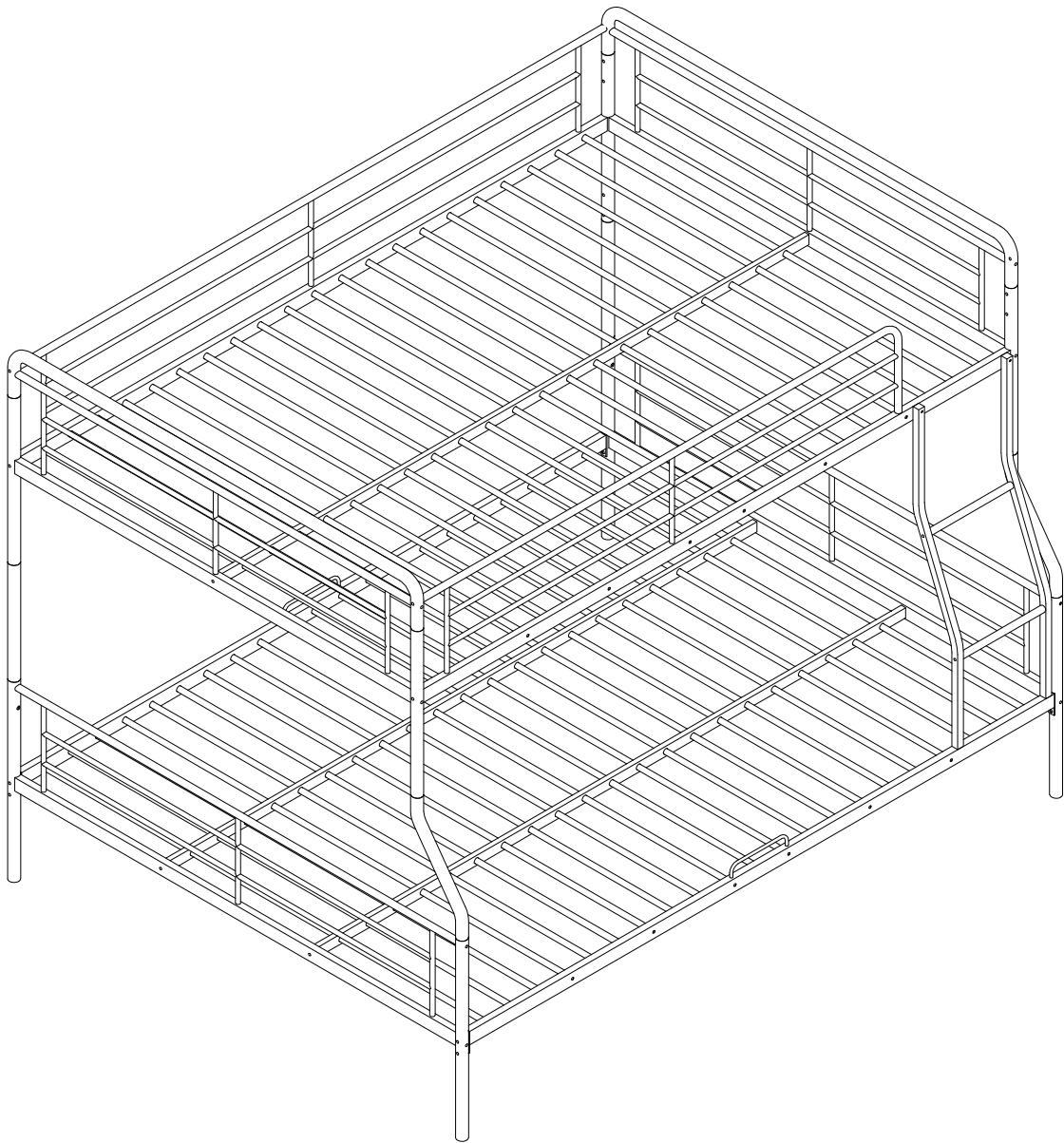
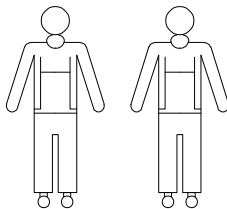


# ASSEMBLY INSTRUCTION



Minimum no. 2 of people  
recommended to assemble  
this product: Approx.  
assembly time: 60 mins





## SAFETY WARNING



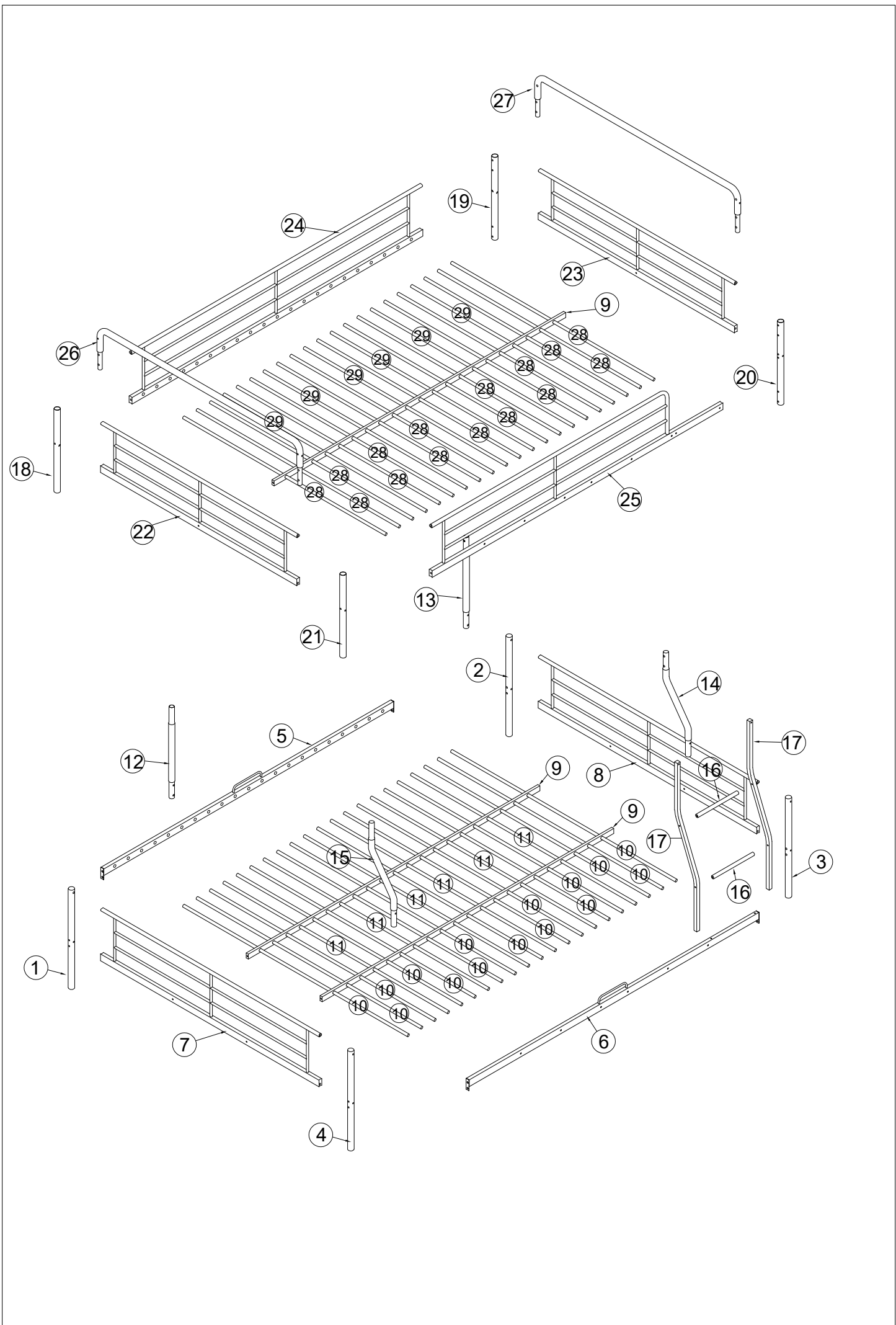
**1. This bed is designed for use only mattress(es) meeting the following specifications on the upper bunk**

| <b>Bed type</b>                 | <b>Length</b>   | <b>Width</b> | <b>Thickness</b> |
|---------------------------------|-----------------|--------------|------------------|
| <b>Full extra long Standard</b> | <b>79"- 80"</b> | <b>53.5"</b> | <b>6" Max</b>    |





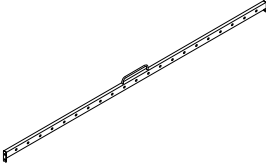
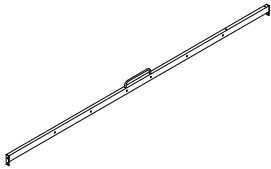
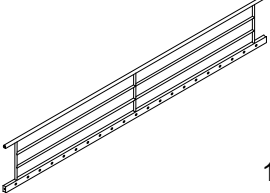
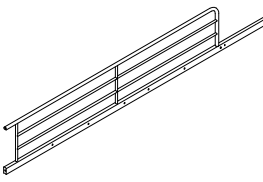
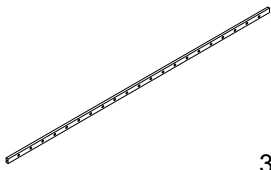
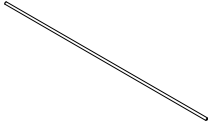
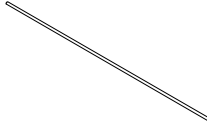









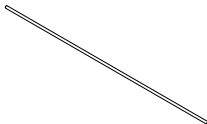
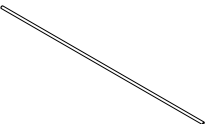
**Lower bunk**

| <b>Bed type</b>                  | <b>Length</b>   | <b>Width</b> | <b>Thickness</b> |
|----------------------------------|-----------------|--------------|------------------|
| <b>Queen extra long Standard</b> | <b>79"- 80"</b> | <b>59.5"</b> | <b>8"</b>        |

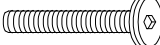
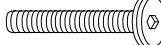
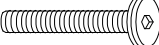
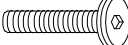


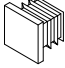
- 2. Replacement parts, including additional guardrails, maybe obtained from any for our dealers.**
- 3. Follow the information on the warnings appearing on the upper bunk bed end structure and on the carton. Do not remove warning label from bed.**
- 4. Always use the recommended size mattresses or mattress supports, or both, to help prevent the likelihood of entrapment or falls.**
- 5. Surface of mattress must be at least 5" (127mm) below the upper edge of guardrails .**
- 6. Do not allow children under 6 years of age to use the upper bunk.**
- 7. Periodically check and ensure that the guardrail , ladder , and other components are in their proper position , free from damage , and that all connectors are tight .**
- 8. Do not allow horseplay on or under the bed and prohibit Jumping on the bed .**
- 9. Always use the ladder for entering and leaving the upper bunk .**
- 10. Do not use substitute part . Contact the manufacturer or dealer for replacement part .**
- 11. Use of a night light may provide added safety precaution for a child using the upper bunk .**
- 12. Always use guardrails on both long sides of upper bunk . if the bunk bed will be placed next to the wall , the guardrail that runs the full length of the bed should be placed against the wall to prevent entrapment between the bed and wall .**
- 13. The use of water or sleep flotation mattresses is prohibited .**
- 14. STRANGULATION HAZARD - Never attach or hang items to any part of the bunk bed that are not designed for use with the bed ; for example , but not limited to , hook , belts and Jump ropes .**
- 15. Keep these instruction for future reference .**
- 16. Prohibit more than one person on upper bunk**
- 17. We recommend assembling your bunk bed on the shipping carton to protect your floor or carpet**
- 18. Be certain all staples are out the box before beginning assembly on the shipping carton .**



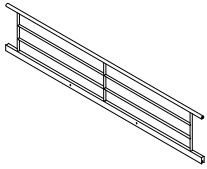
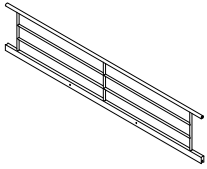

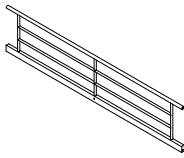
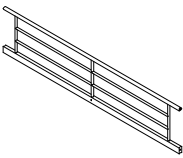
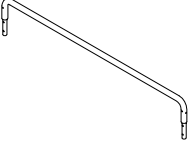
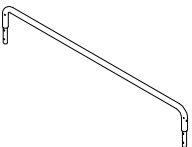
# PART LIST

|    |   |       |    |   |      |    |   |       |
|----|---|-------|----|---|------|----|---|-------|
| 1  |    | 1PC   | 2  |    | 1PC  | 3  |    | 1PC   |
| 4  |    | 1PC   | 5  |    | 1PC  | 6  |    | 1PC   |
| 24 |    | 1PC   | 25 |    | 1PC  | 9  |    | 3PCS  |
| 10 |    | 15PCS | 11 |    | 6PCS | 12 |    | 1PC   |
| 13 |   | 1PC   | 14 |   | 1PC  | 15 |   | 1PC   |
| 16 |  | 2PCS  | 18 |  | 1PC  | 19 |  | 1PC   |
| 20 |  | 1PC   | 21 |  | 1PC  | 28 |  | 15PCS |
| 29 |  | 6PCS  |    |   |      |    |   |       |

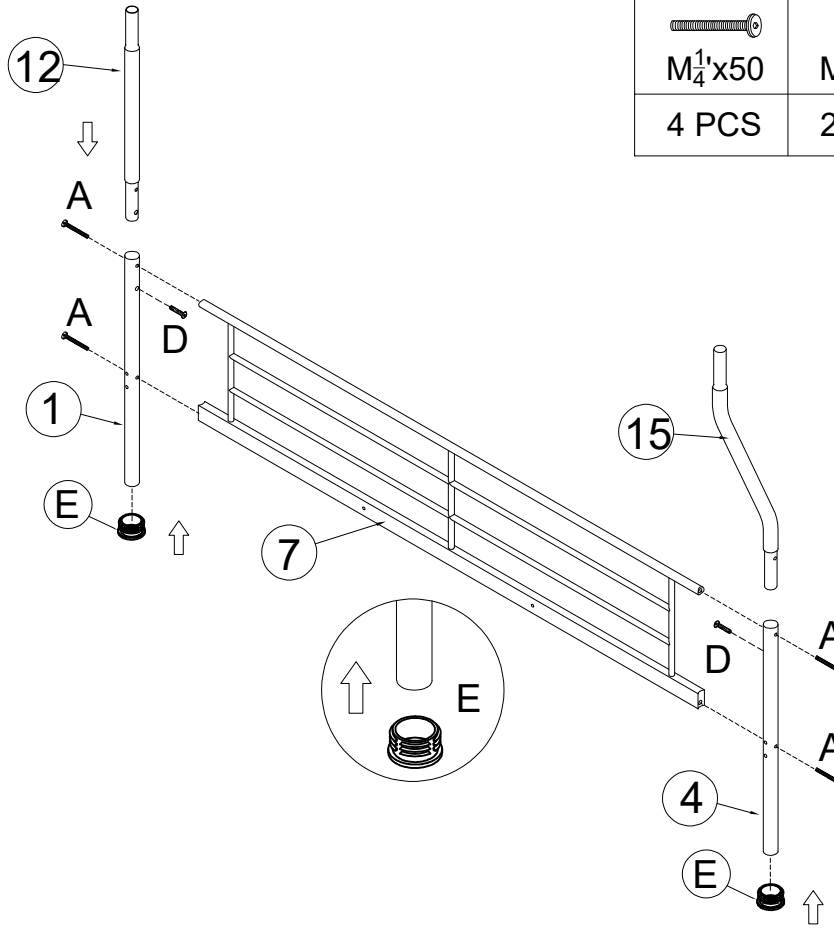
# HARDWARE LIST




|          |   |                                |          |   |                               |          |   |                                |          |   |                                |          |   |                 |
|----------|---|--------------------------------|----------|---|-------------------------------|----------|---|--------------------------------|----------|---|--------------------------------|----------|---|-----------------|
| <b>A</b> |  | 30 PCS<br>M $\frac{1}{4}$ "X50 | <b>B</b> |  | 4 PCS<br>M $\frac{1}{4}$ "X40 | <b>C</b> |  | 12 PCS<br>M $\frac{1}{4}$ "X35 | <b>D</b> |  | 44 PCS<br>M $\frac{1}{4}$ "X15 | <b>E</b> |  | 12PCS<br>Ø32x20 |
| <b>F</b> |  | 1PC<br>M4X23X57                | <b>G</b> |  | 2 PCS<br>#20x20x13            |          |   |                                |          |   |                                |          |   |                 |

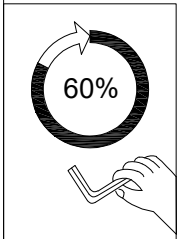
# PART LIST

|  |  |   |
|--|--|---|
| 7<br><br>1PC  | 8<br><br>1PC  | 17<br><br>2PCS |
| 22<br><br>1PC | 23<br><br>1PC | 26<br><br>1PC  |
| 27<br><br>1PC |  |   |
|  |  |   |
|  |  |   |
|  |  |   |
|  |  |   |
|  |  |   |

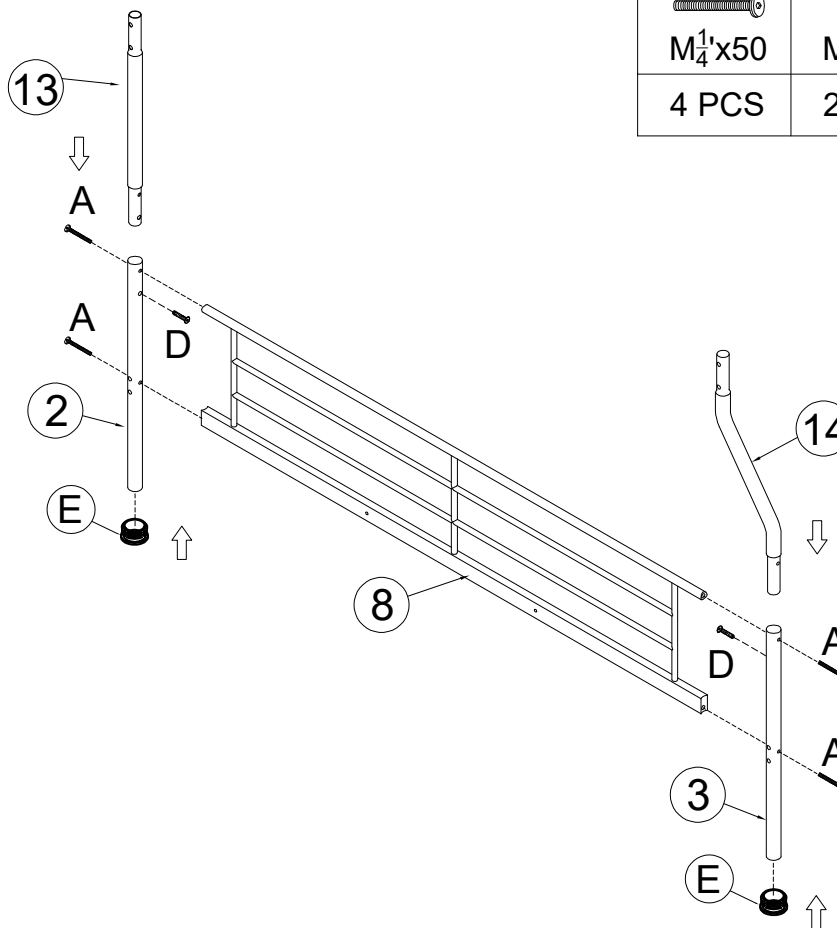
STEP 1






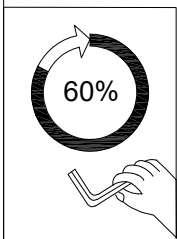
| A   | D   | E   |
|---|---|---|
| <br>M $\frac{1}{4}$ "x50 | <br>M $\frac{1}{4}$ "x15 | <br>Ø32x16 |
| 4 PCS   | 2 PCS   | 2PCS  |




STEP 2

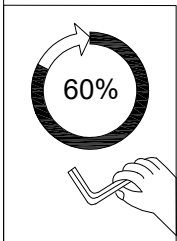
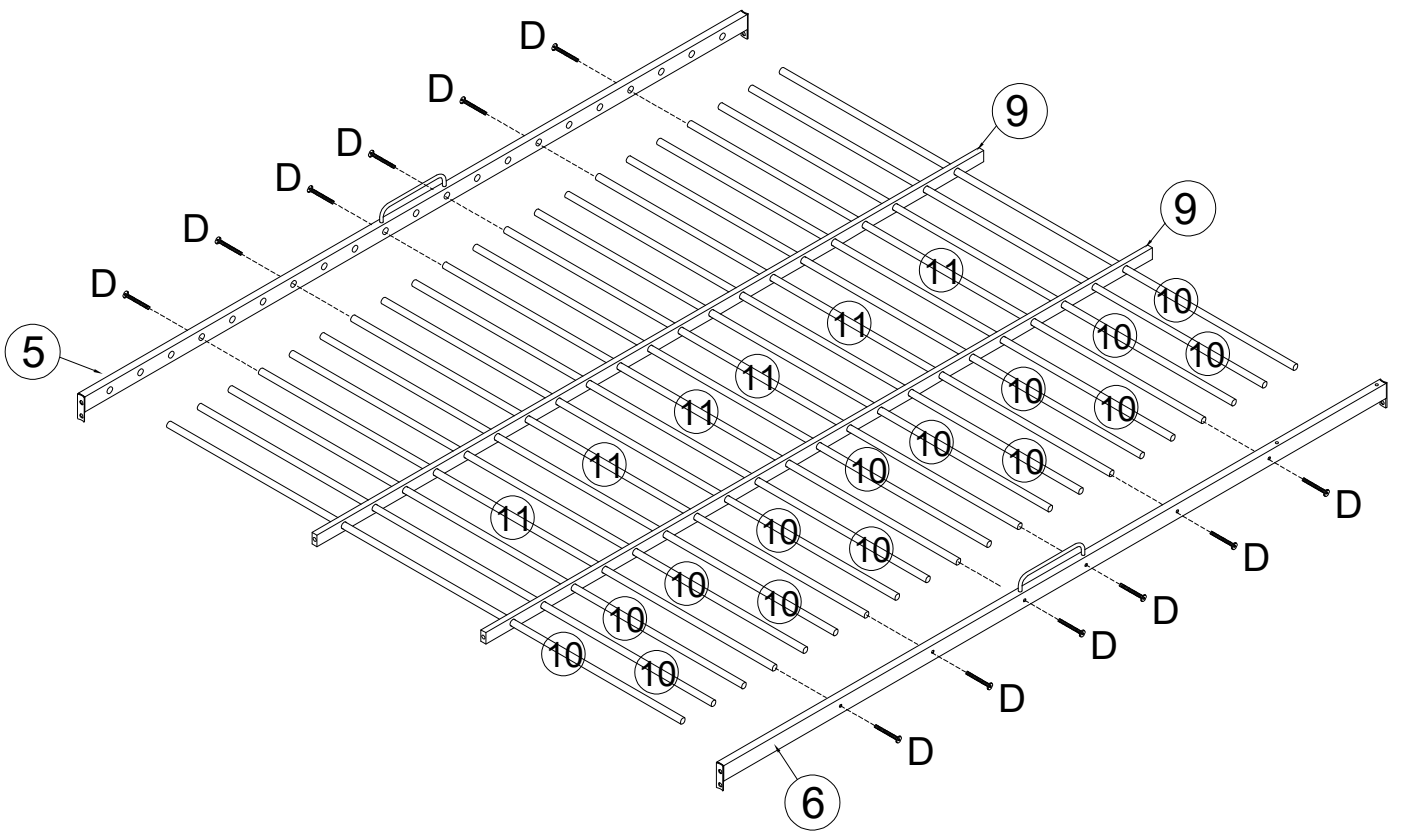


| A   | D   | E   |
|---|---|---|
| <br>M $\frac{1}{4}$ "x50 | <br>M $\frac{1}{4}$ "x15 | <br>Ø32x16 |
| 4 PCS   | 2 PCS   | 2PCS  |






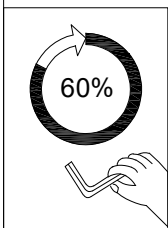
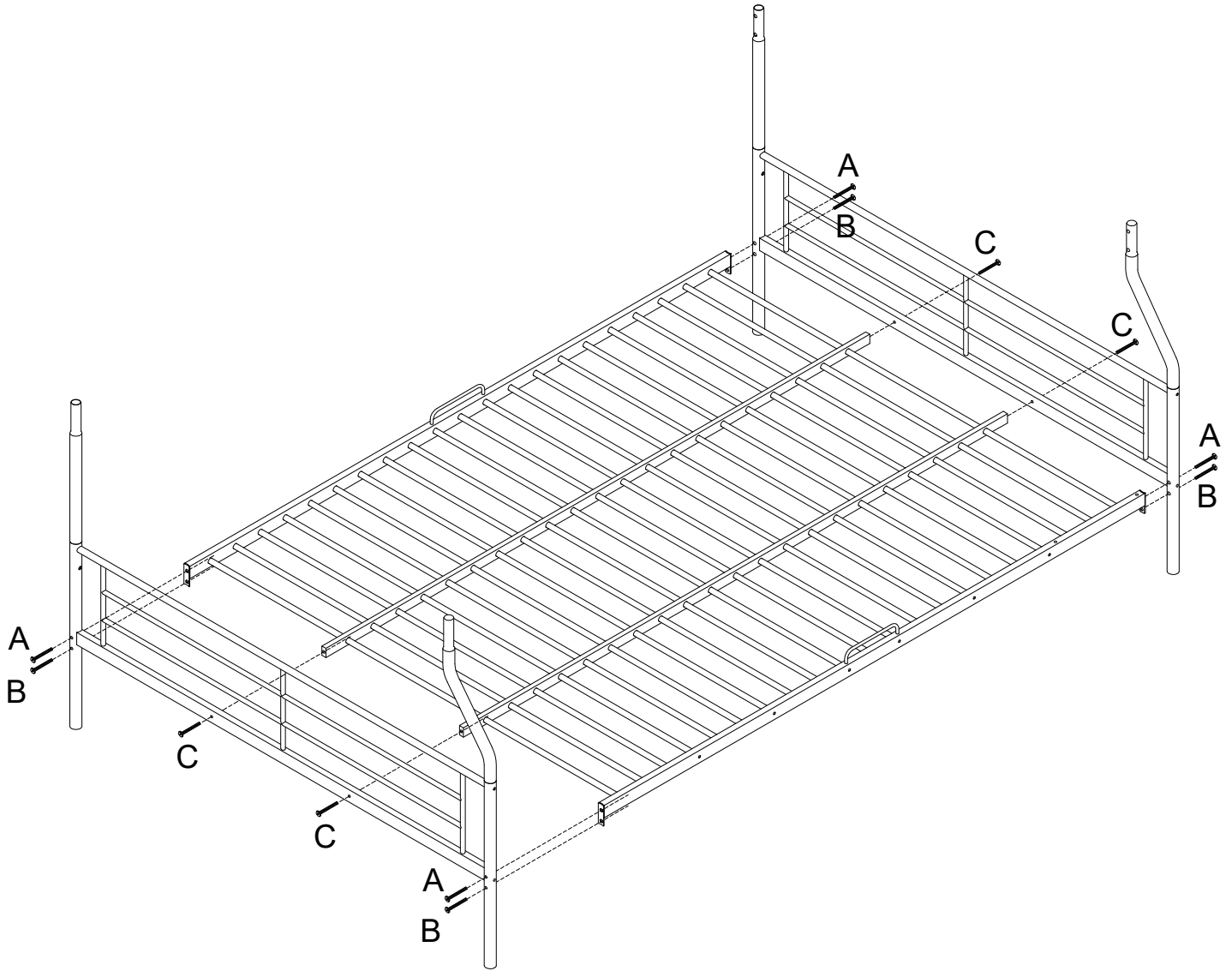
# STEP 3

|  |
|--|
| D  |
|  M $\frac{1}{4}$ "x15 |
| 12 PCS   |





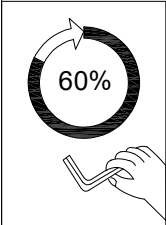
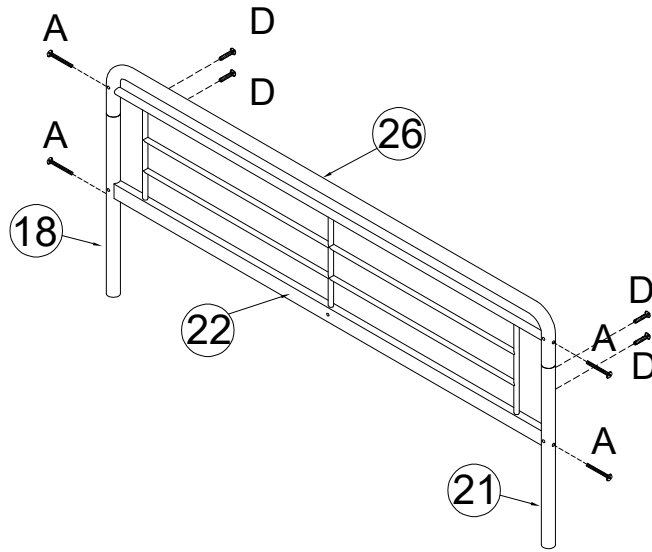
# STEP 4

| A   | B   | C   |
|---|---|---|
| <br>M $\frac{1}{4}$ "x50 | <br>M $\frac{1}{4}$ "x40 | <br>M $\frac{1}{4}$ "x35 |
| 4 PCS   | 4 PCS   | 4 PCS   |





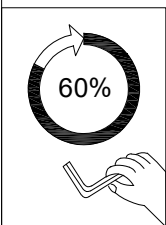
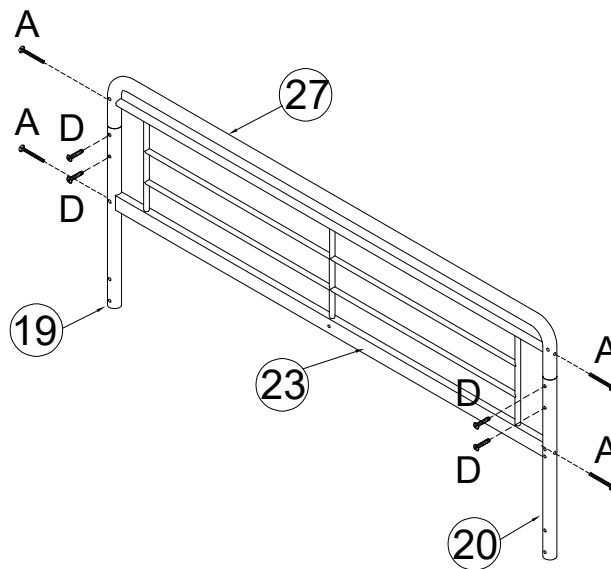
# STEP 5

| A  | D  |
|--|--|
|  M $\frac{1}{4}$ "x50 |  M $\frac{1}{4}$ "x15 |
| 4 PCS  | 4 PCS  |



# STEP 6

| A  | D  |
|--|--|
|  M $\frac{1}{4}$ "x50 |  M $\frac{1}{4}$ "x15 |
| 4 PCS  | 4 PCS  |

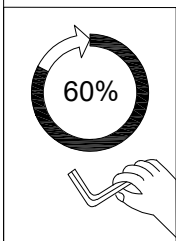
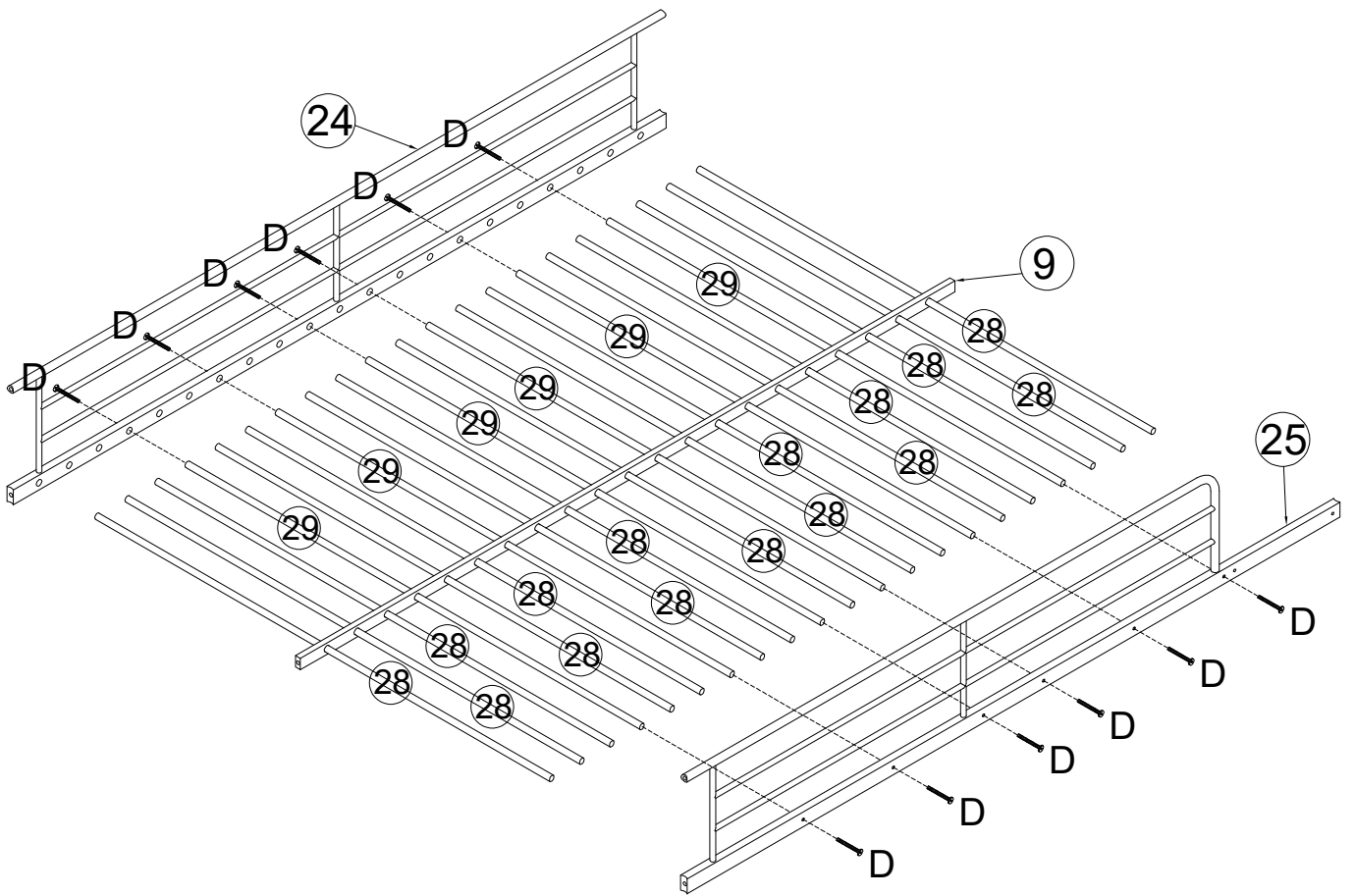


# STEP 7



D

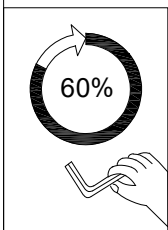
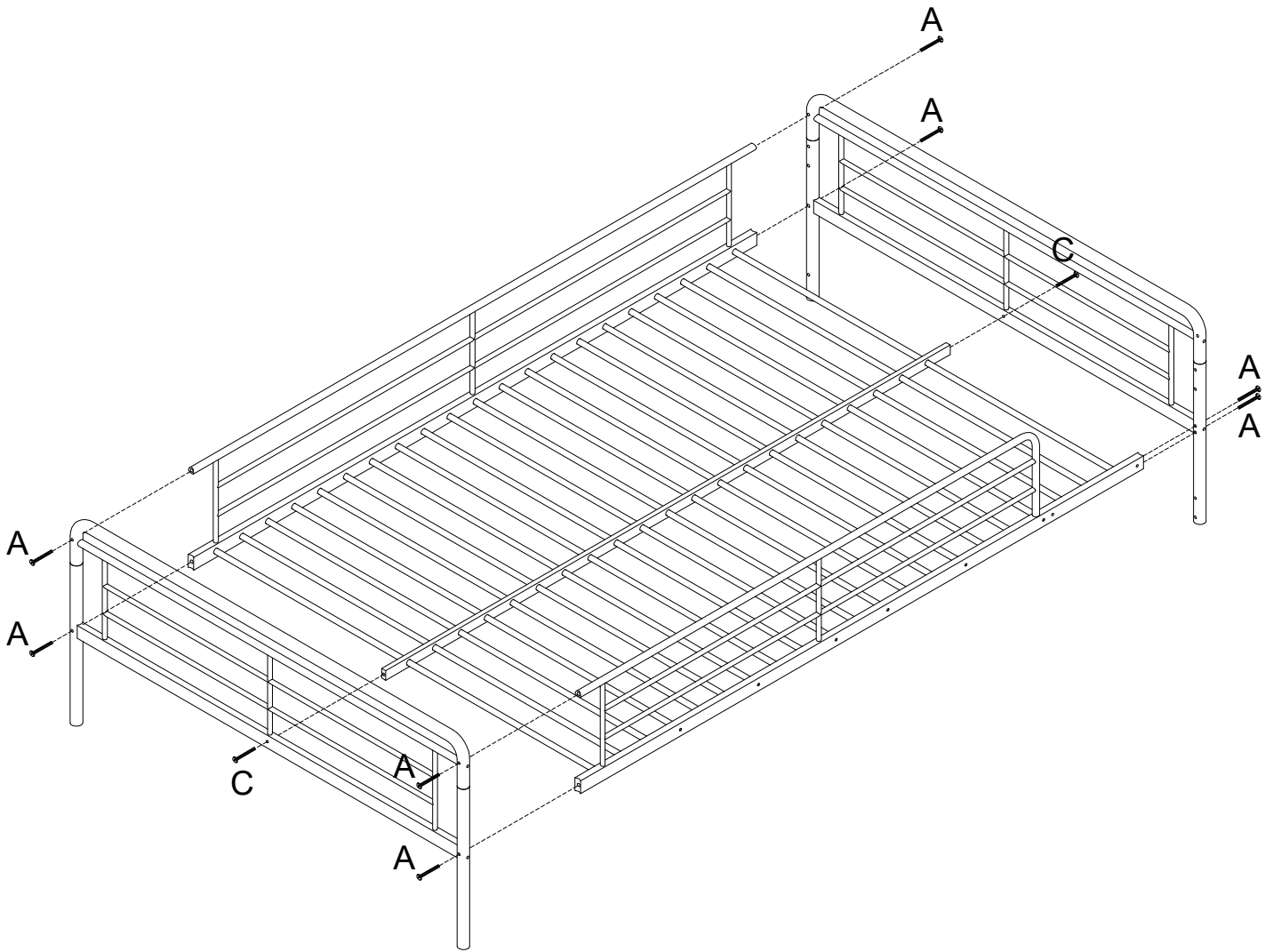
M $\frac{1}{4}$ 'x15

12 PCS




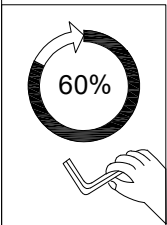
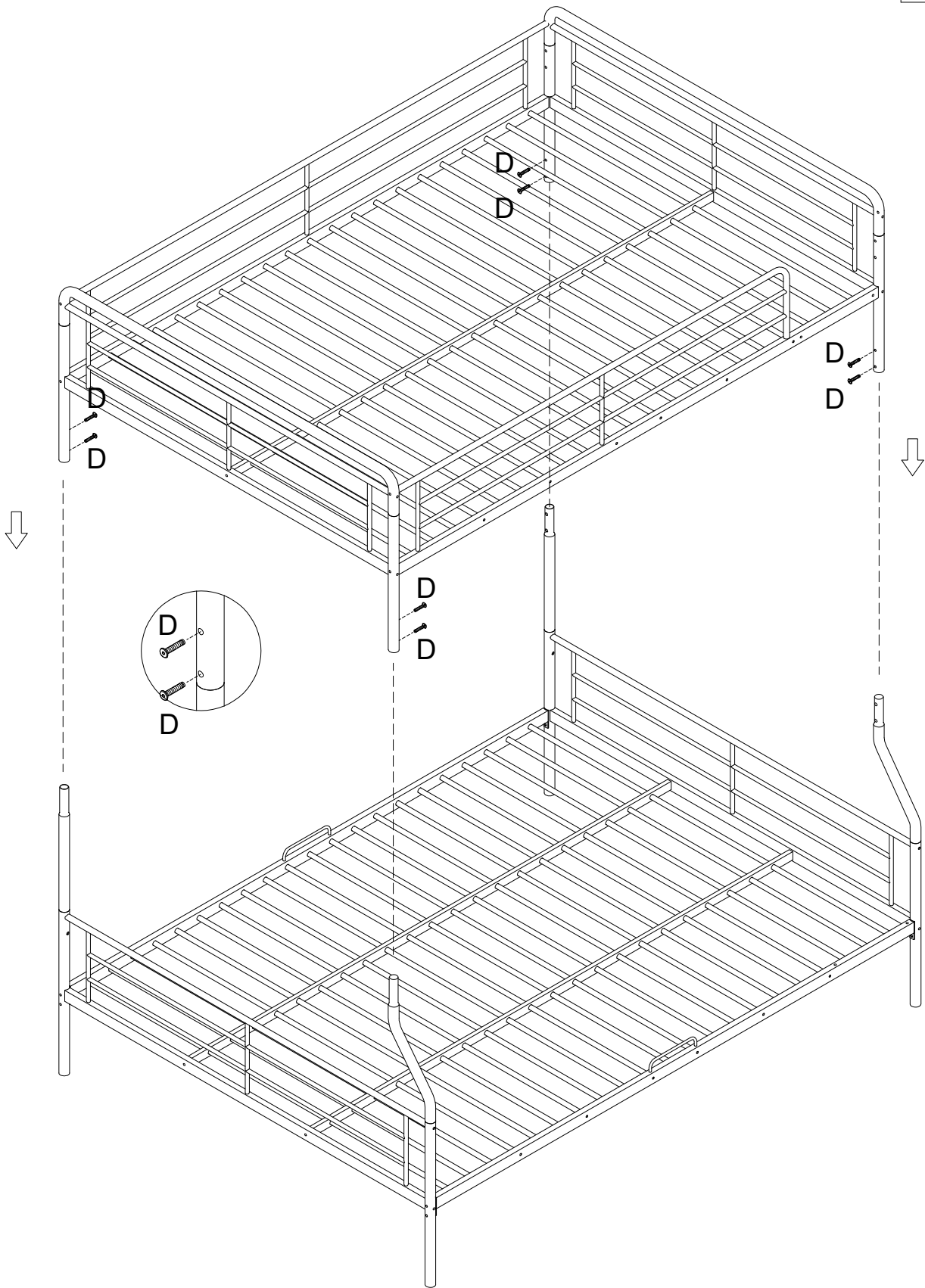
STEP 8

| A   | C   |
|---|---|
| <br>M $\frac{1}{4}$ 'x50 | <br>M $\frac{1}{4}$ 'x35 |
| 8 PCS   | 2 PCS   |





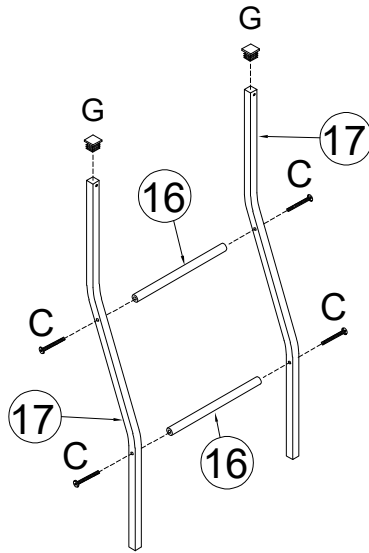
STEP 9

|  |
|--|
| D  |
|  M $\frac{1}{4}$ "x15 |
| 8 PCS  |





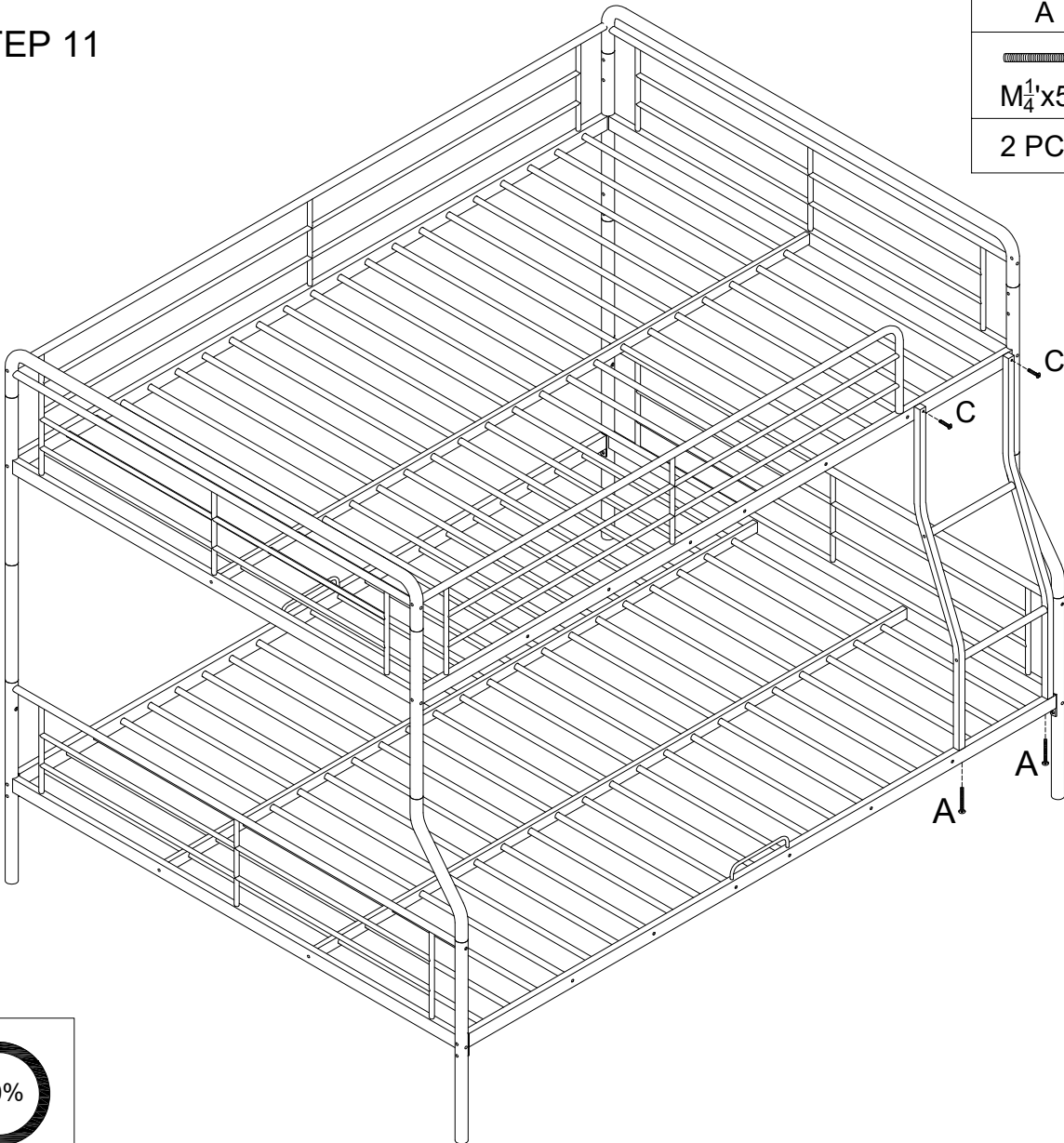
# STEP 10

|   |  |
|---|--|
| G   | C  |
|  #20x20x13 |  M $\frac{1}{4}$ 'x35 |
| 2 PCS   | 4 PCS  |



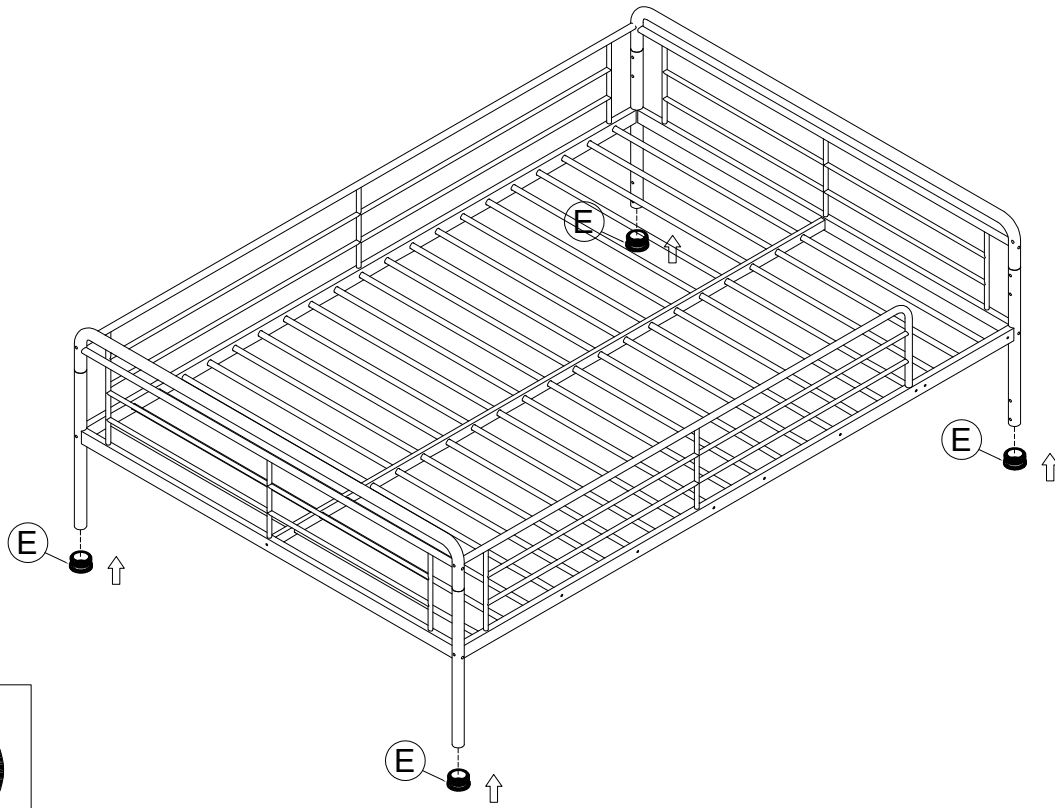
# STEP 11

|  |  |
|--|--|
| A  | C  |
|  M $\frac{1}{4}$ 'x50 |  M $\frac{1}{4}$ 'x35 |
| 2 PCS  | 2 PCS  |



STEP 12

BED 2



E

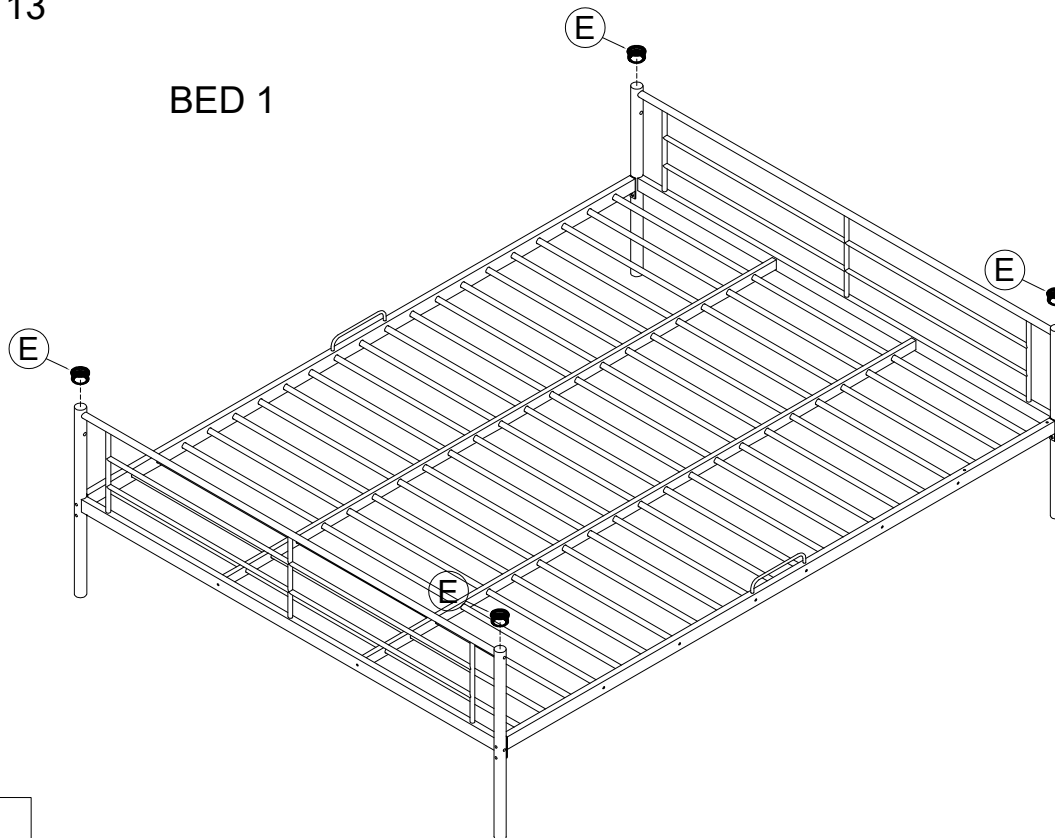
Ø32x16

4PCS



STEP 13

BED 1



E

Ø32x16

4PCS



STEP 14

