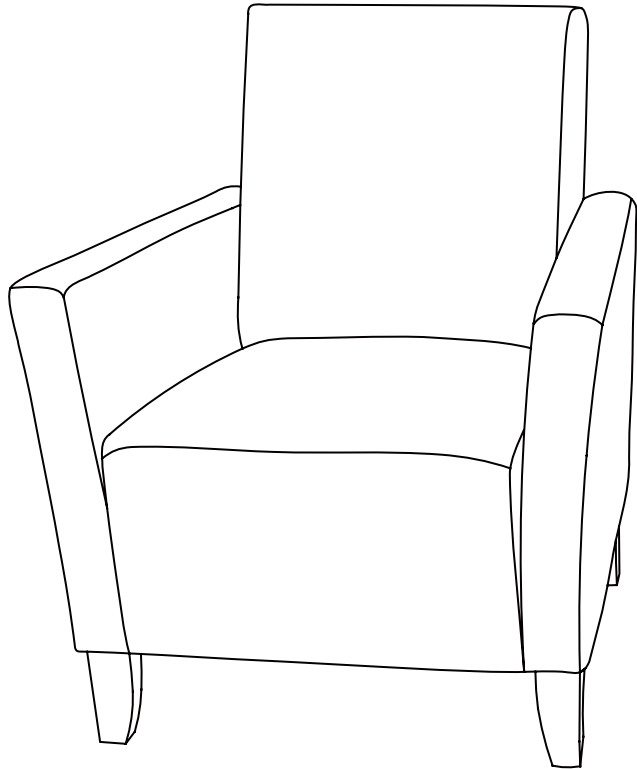
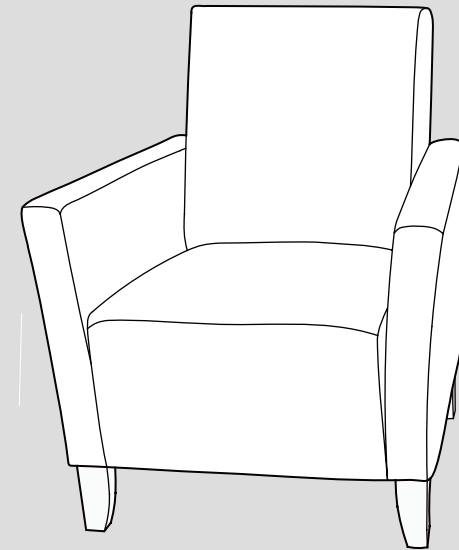


Model: _____
Lot No: _____
Date of Purchased: _____



Accent Chair



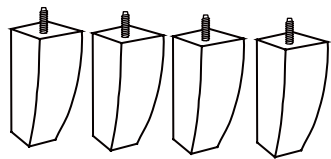
ADULT ASSEMBLY REQUIRED

If you are missing any parts or have any questions regarding assembly, do not return this item to the retailers store. Please call our toll- free customer service number and have this assembly manual open to the parts list ready to provide the model name, and part name or number.



WARNING: This product may contain small components, please ensure they are kept away from small children.

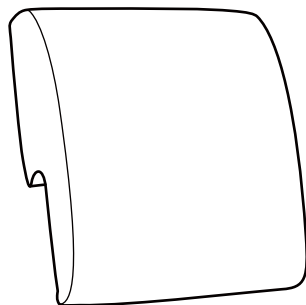
Parts and Hardware



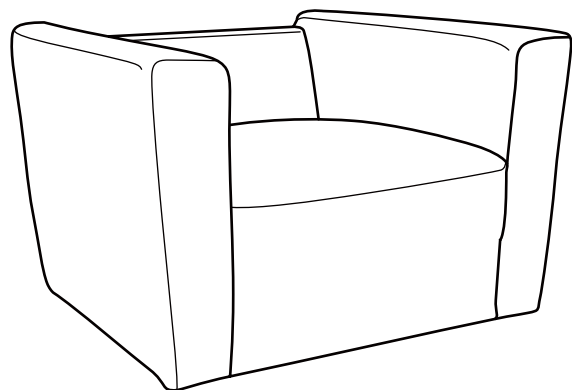
Leg



plastic Washer



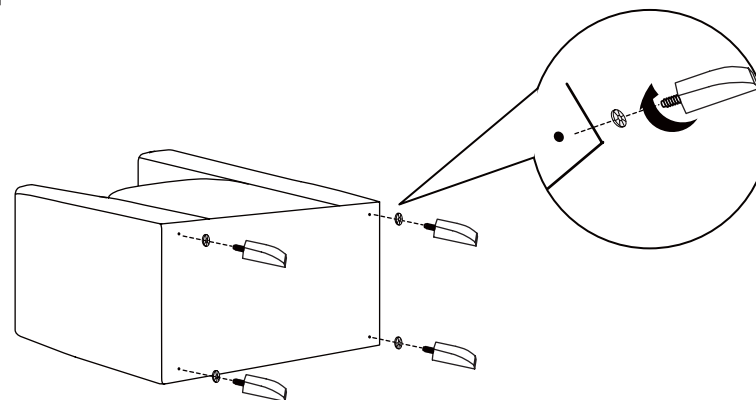
Backrest



Chair Body

Assembling the Slice

- 1** Carefully unpack and place chair body unit on a clean flat surface to show the base.
- 2** Secure all four legs into pre-drilled holes on the base by hand. Please avoid overtightening.



- 3** Finally, fully slot backrest into the back of seat cushion, ensuring it does not move backward or forward.

