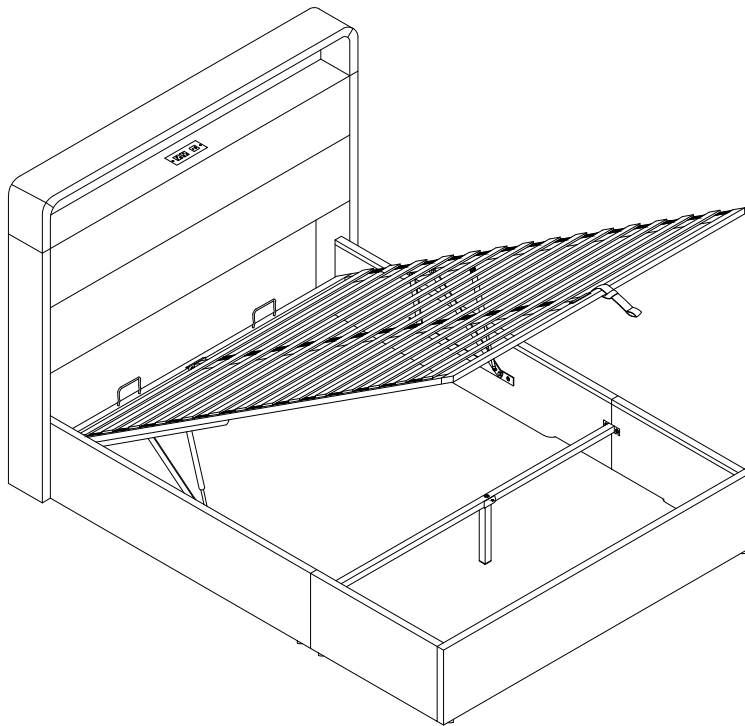


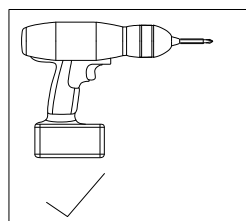
ASSEMBLY INSTRUCTION



ITEM NUMBER: BHL008

IMPORTANT NOTE

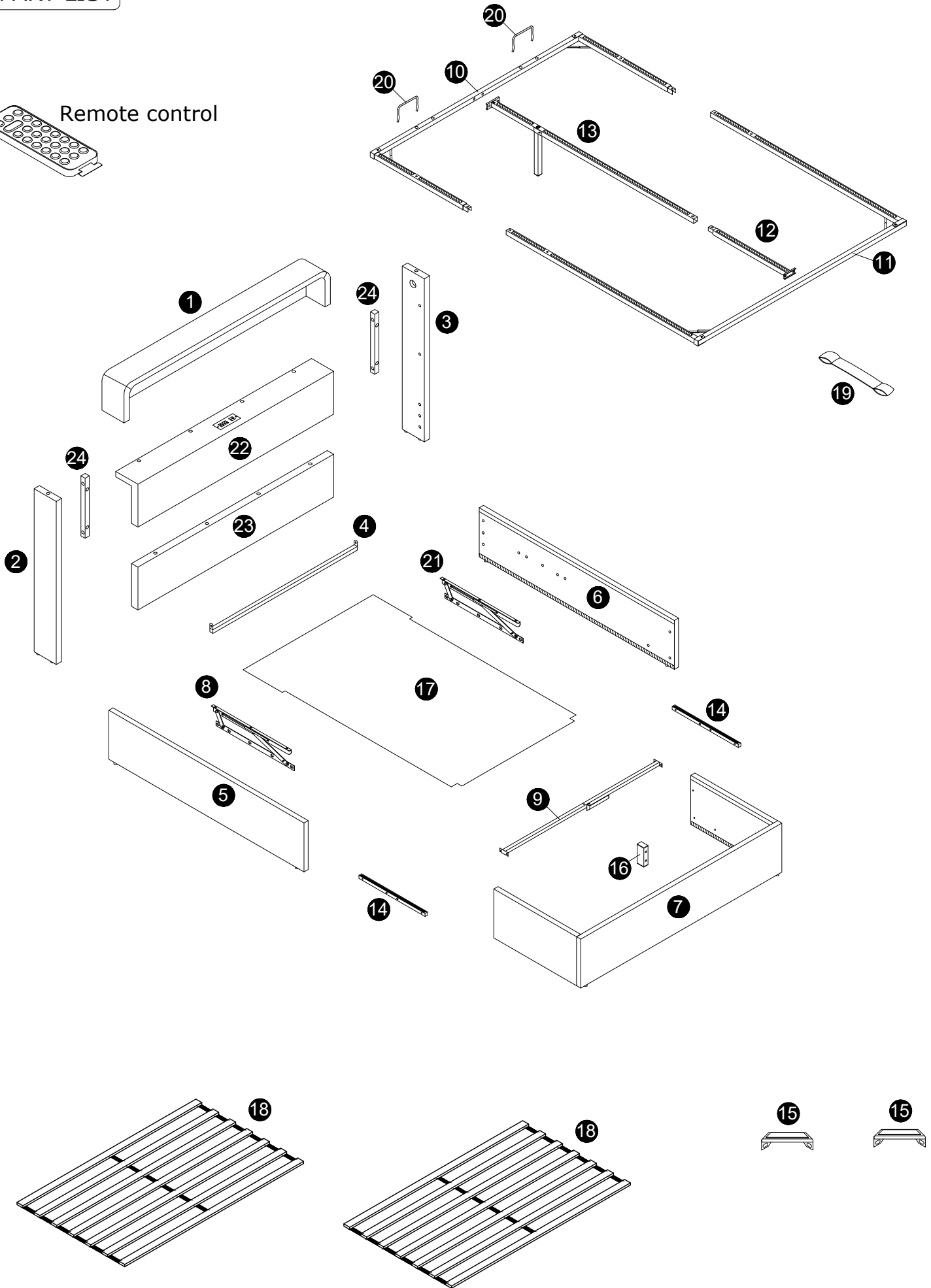
1. FOR THE PROTECTION OF YOUR FURNITURE, PLACE ALL PARTS ON A CLEAN AND SMOOTH SURFACE TO PREVENT ANY DAMAGE.
2. DO NOT USE POWER TOOLS TO ASSEMBLE THE BED.
3. PLEASE PERIODICALLY CHECK ALL FITTINGS AND RE-TIGHTEN AS NECESSARY.
4. DO NOT USE THE BED UNLESS ALL BOLTS AND SCREWS ARE FIRMLY SECURED.
5. NEED PARTS OR ASSISTANCE? EMAIL US.
6. YOU CAN ASSEMBLE IT WITH OUR PACKAGING TOOLS OR WITH A.



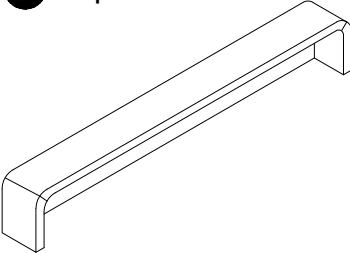

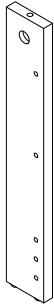
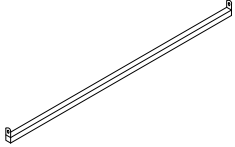
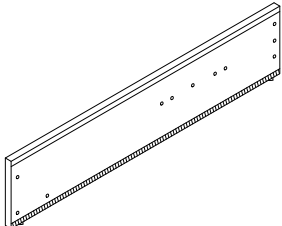
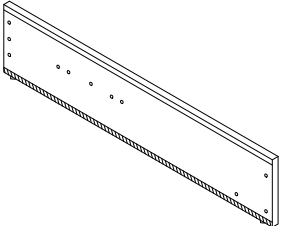
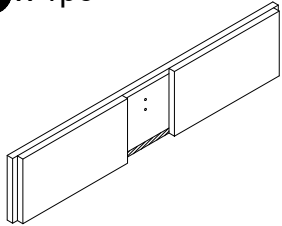
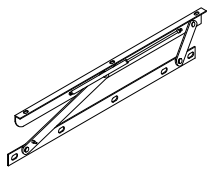
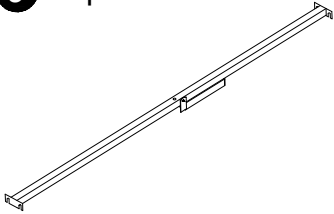
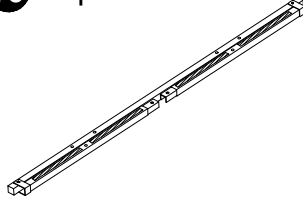
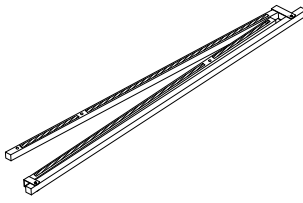
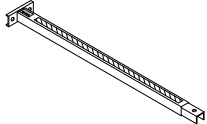
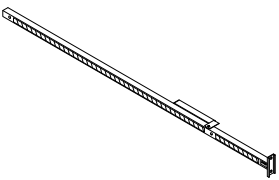
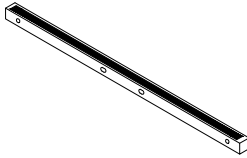


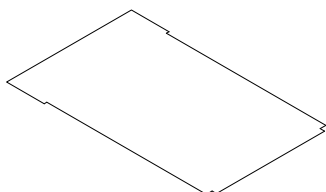
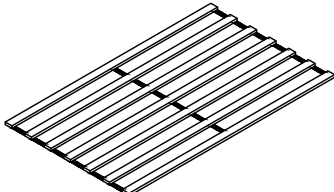
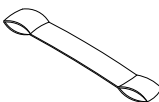

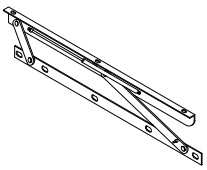
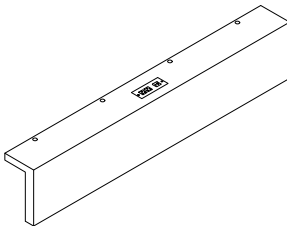
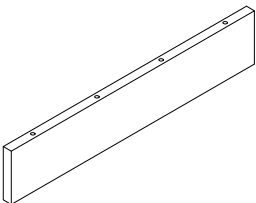


PART LIST




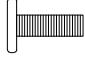





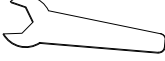

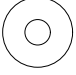
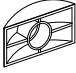

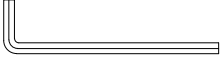
Remote control



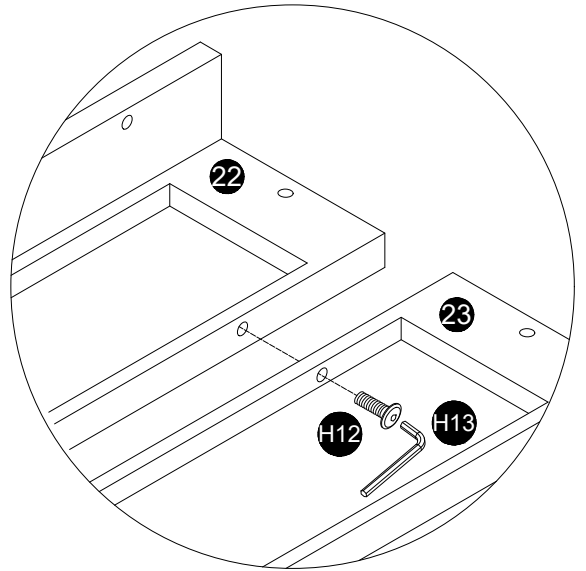
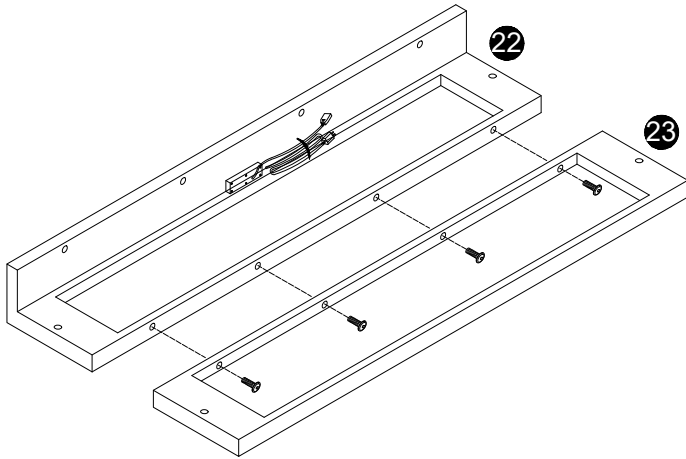
PART LIST

<p>1 x 1pc</p> 	<p>2 x 1pc</p> 	<p>3 x 1pc</p> 	<p>4 x 1pc</p> 	
<p>5 x 1pc</p> 	<p>6 x 1pc</p> 	<p>7 x 1pc</p> 	<p>8 x 1pc</p> 	
<p>9 x 1pc</p> 	<p>10 x 1pc</p> 	<p>11 x 1pc</p> 	<p>12 x 1pc</p> 	
<p>13 x 1pc</p> 	<p>14 x 2pcs</p> 	<p>15 x 2pcs</p> 	<p>16 x 1pc</p> 	
<p>17 x 1pc</p> 	<p>18 x 2pcs</p> 	<p>19 x 1pc</p> 	<p>20 x 2pcs</p> 	
<p>21 x 1pc</p> 	<p>22 x 1pc</p> 	<p>23 x 1pc</p> 	<p>24 x 2pcs</p> 	<p>Remote control</p> 

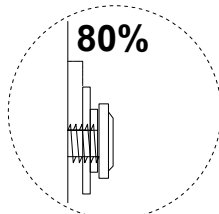
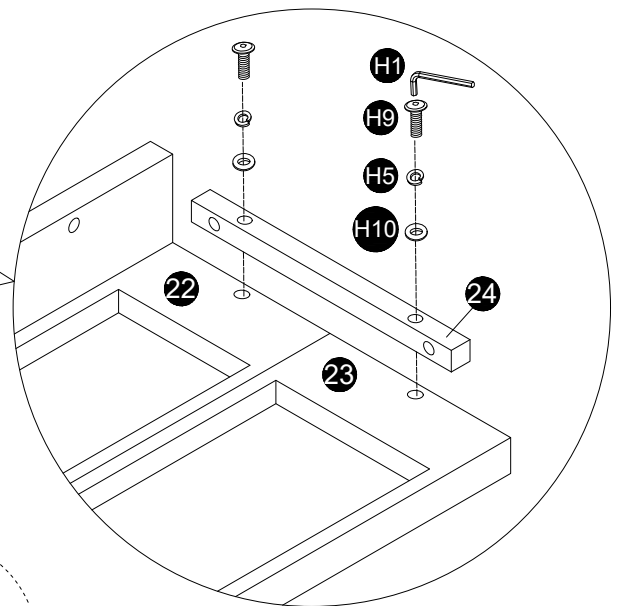
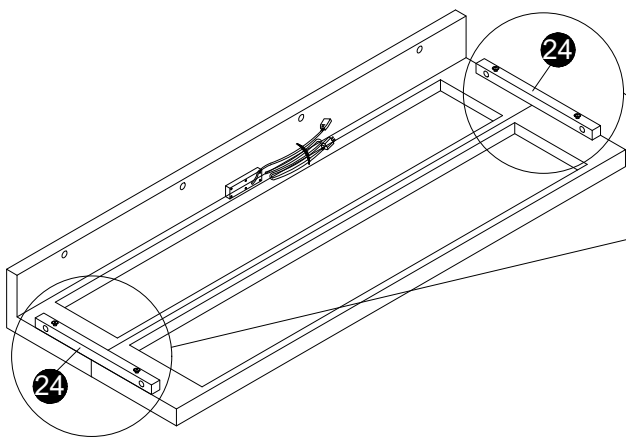
HARDWARE LIST

 H1 M5 x 1pc	 H2 M8x25mm x 23pcs	 H3 M8x35mm x8pcs	 H4 M8x60mm x 6pcs
 H5 M8 x 16pcs	 H6 M8x90mm x 2pcs	 H7 M8 x 8pcs	 H8 M14 x 1pc
 H9 M8x50mm x 18pcs	 H10 M8x22mm x 26pcs	 H11 x 2pcs	 H12 M6x40mm x8pcs
			 H13 M4 x 1pc

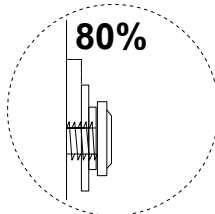
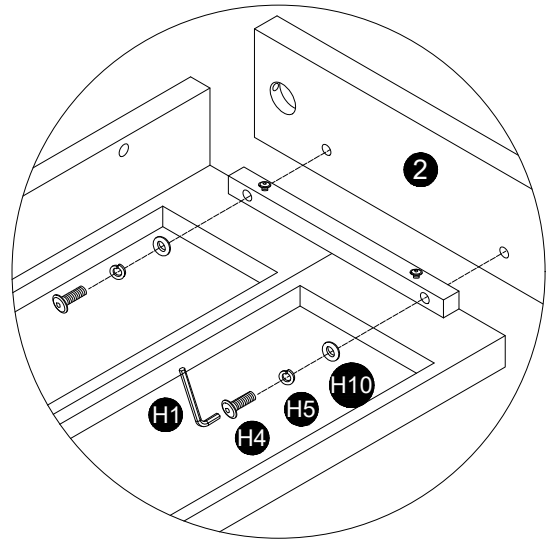
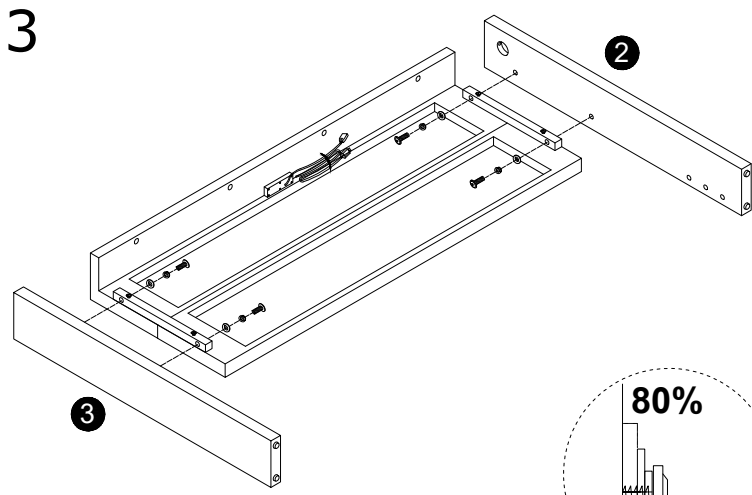
1



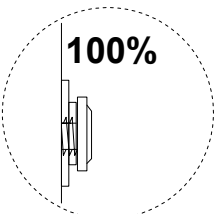
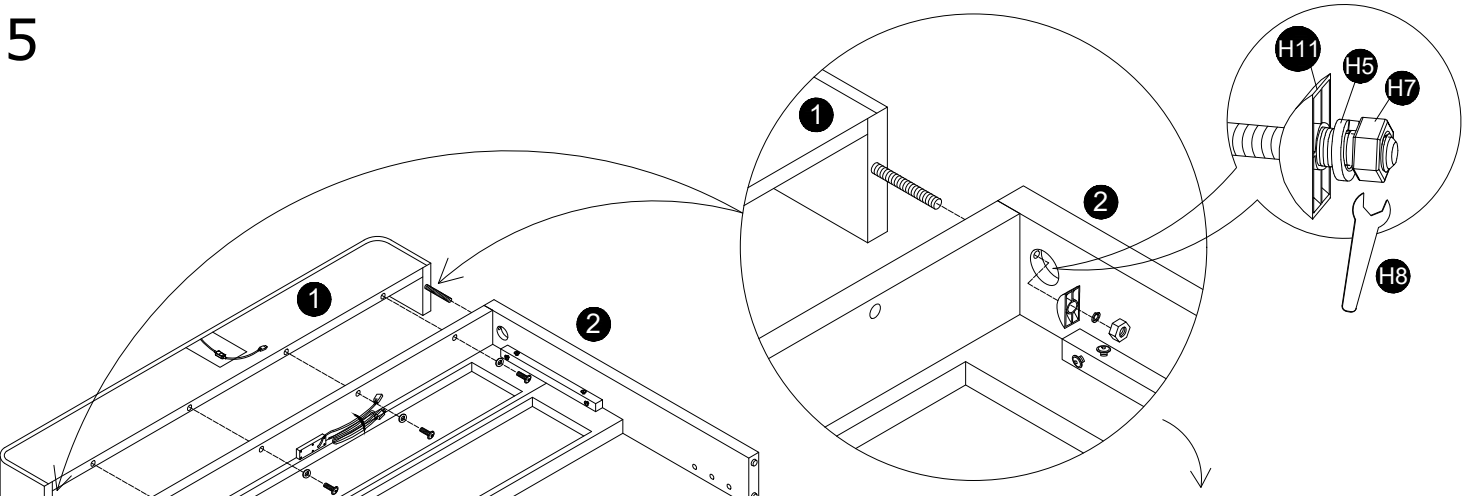
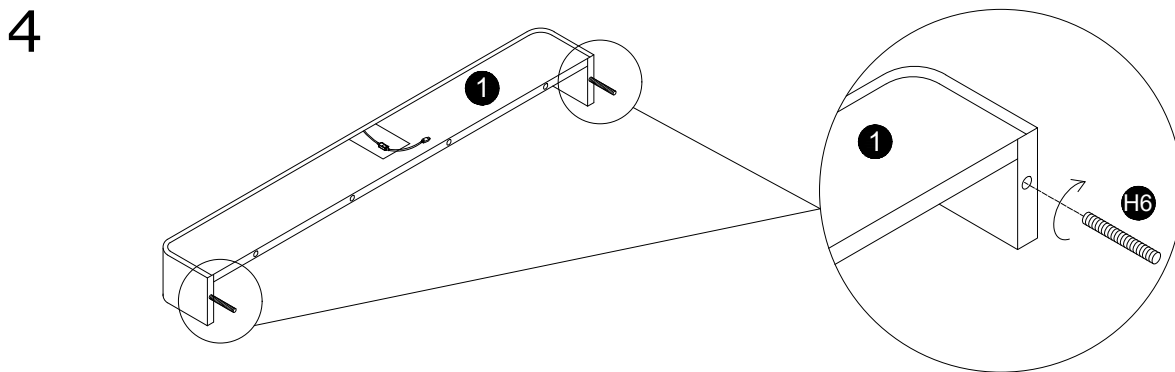
2



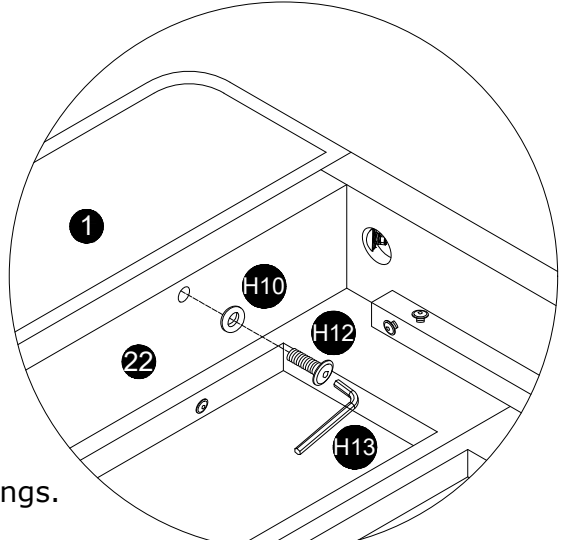
Do not fully tighten fixings!



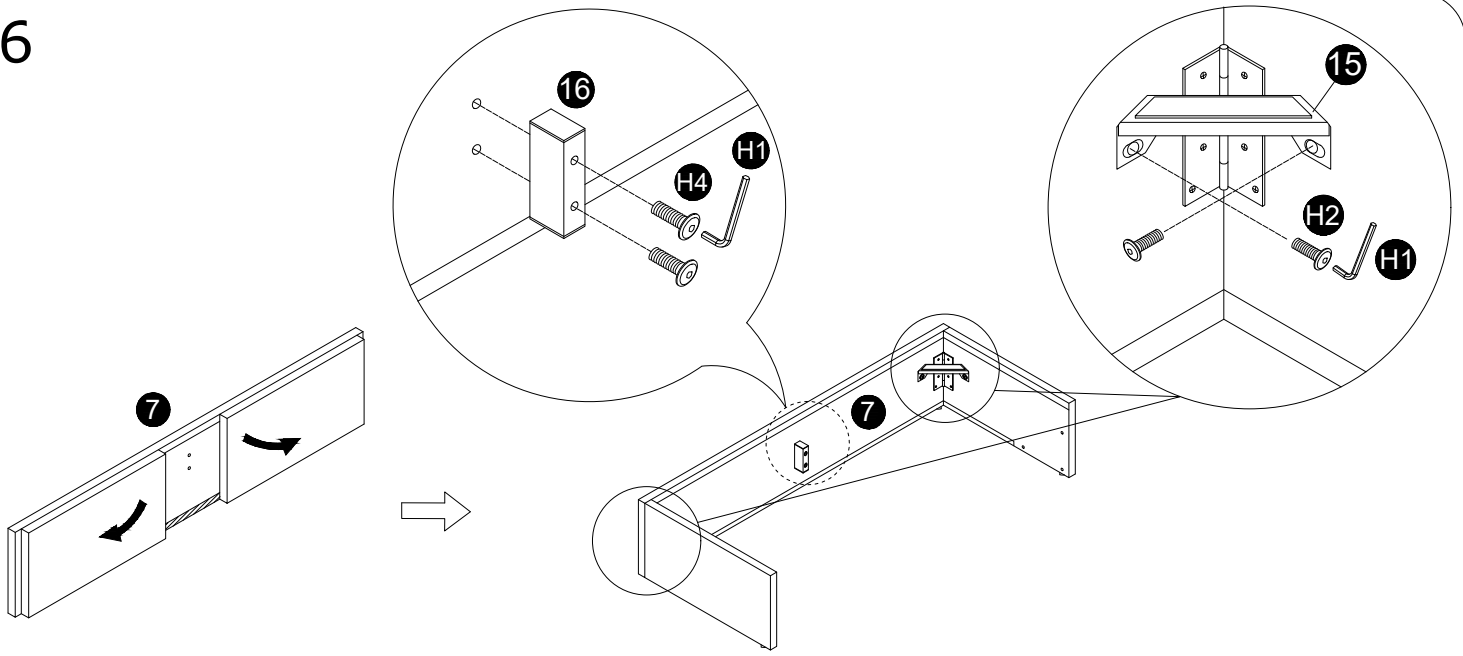
Do not fully tighten fixings!



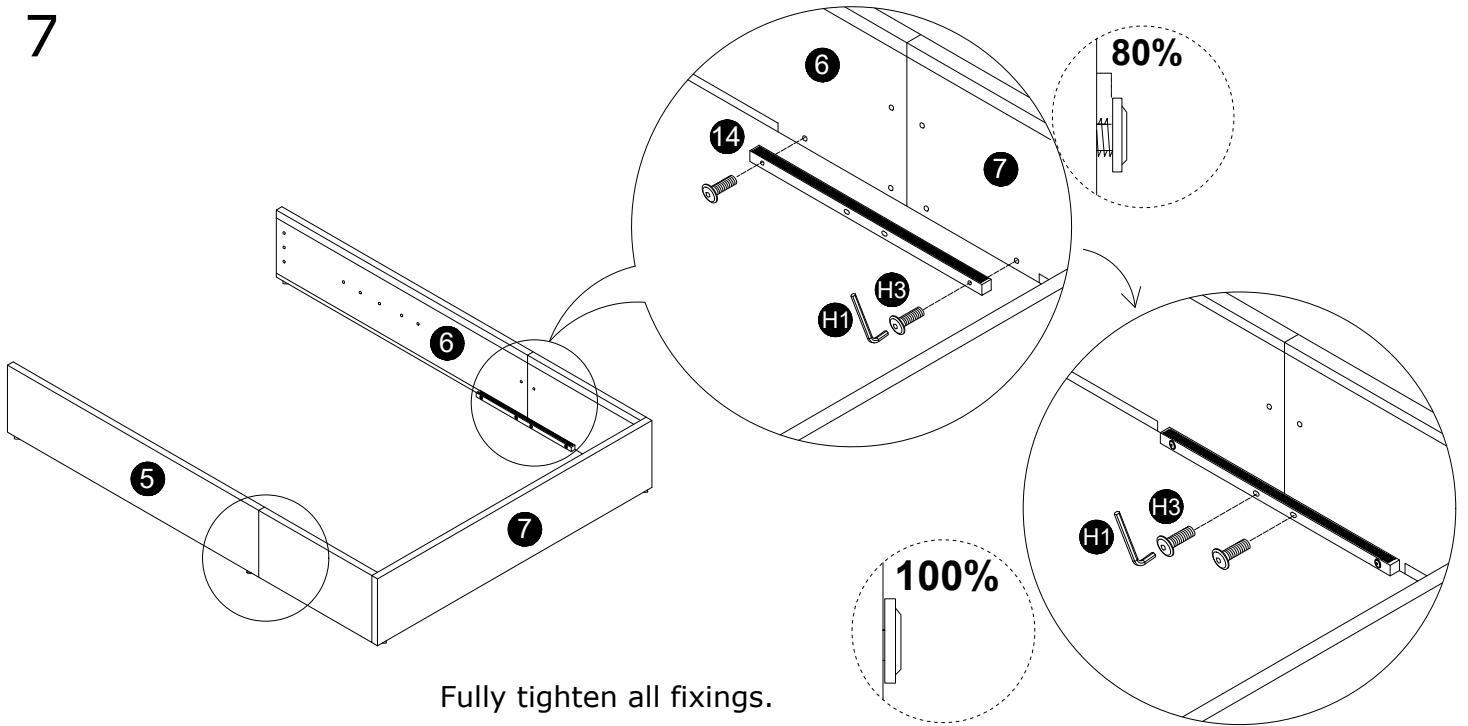
After assembly is completed,
Fully tighten step 2 and step 3 all fixings.



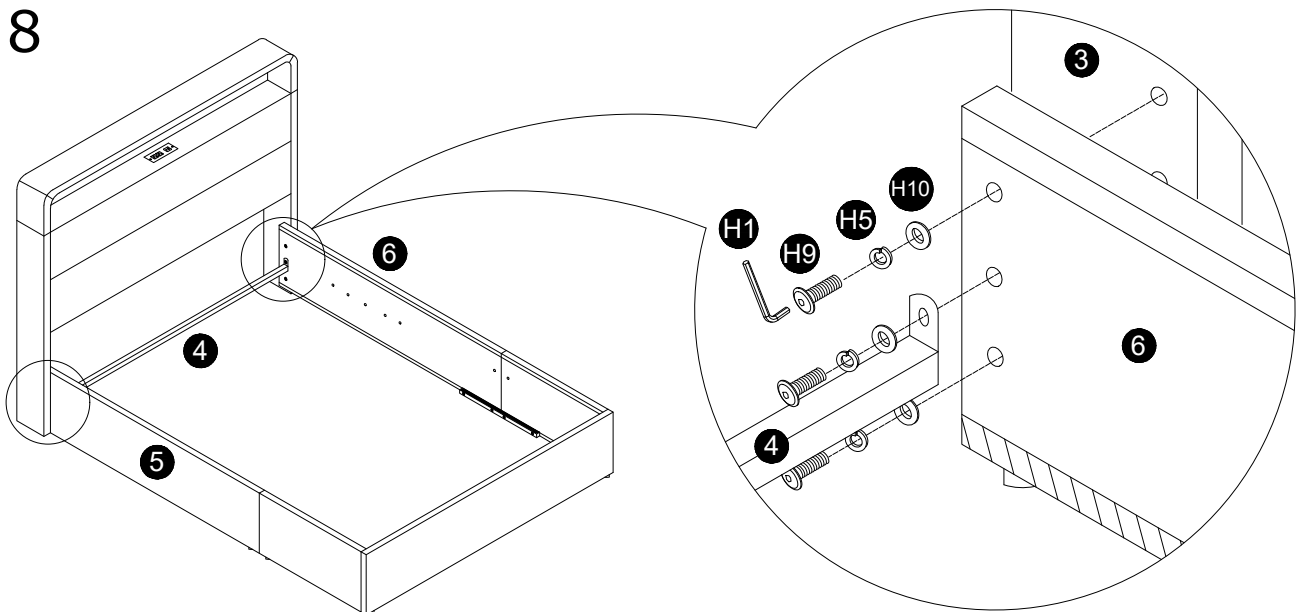
6



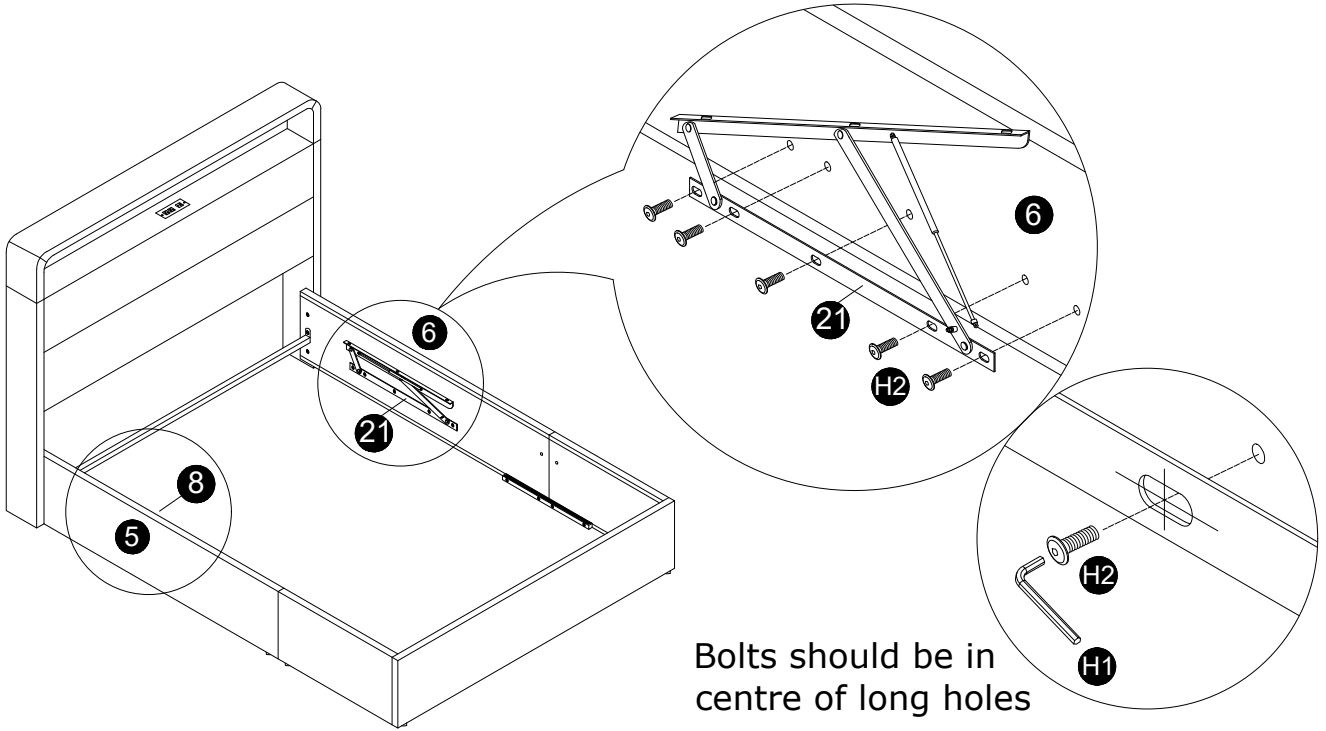
7



8

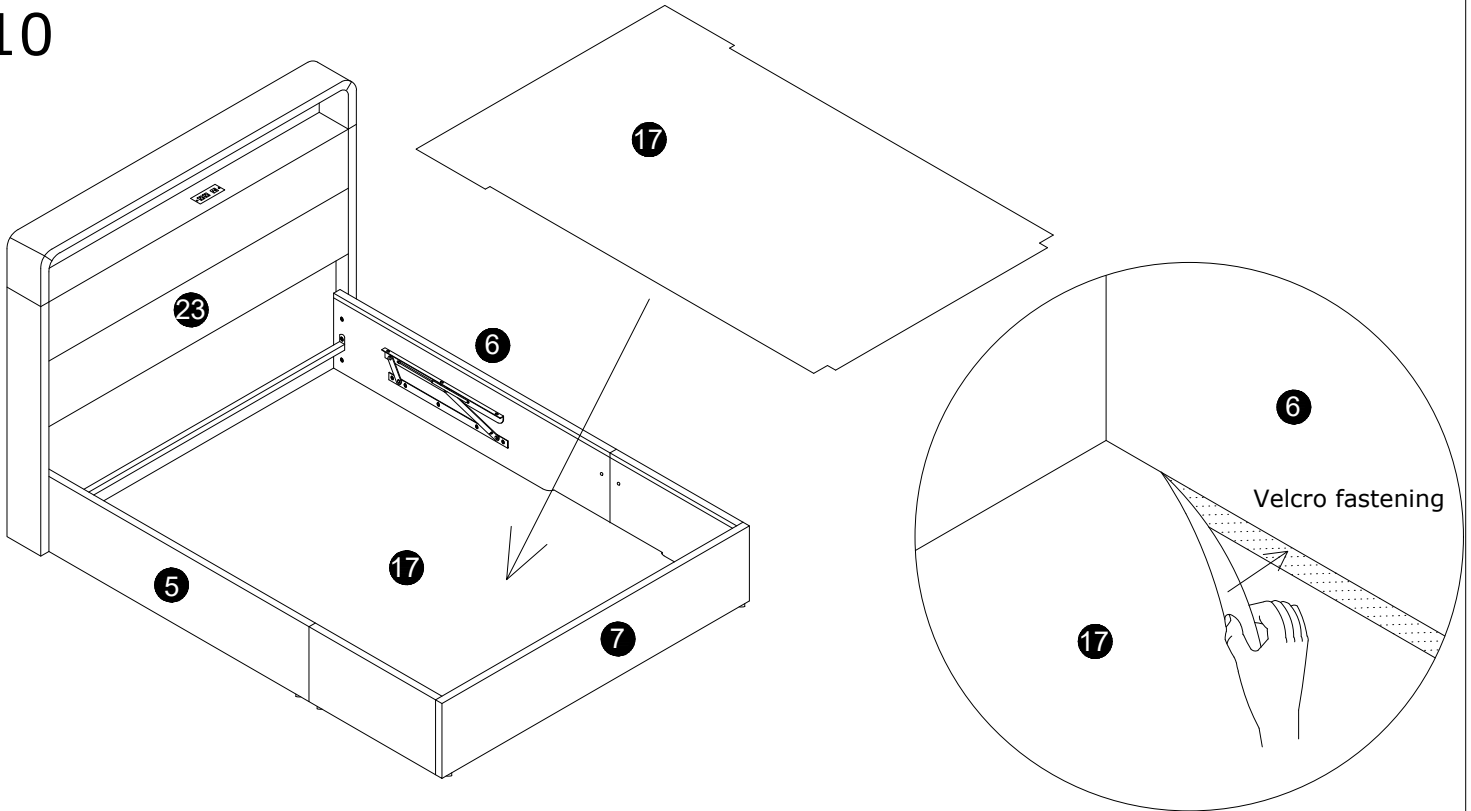


9

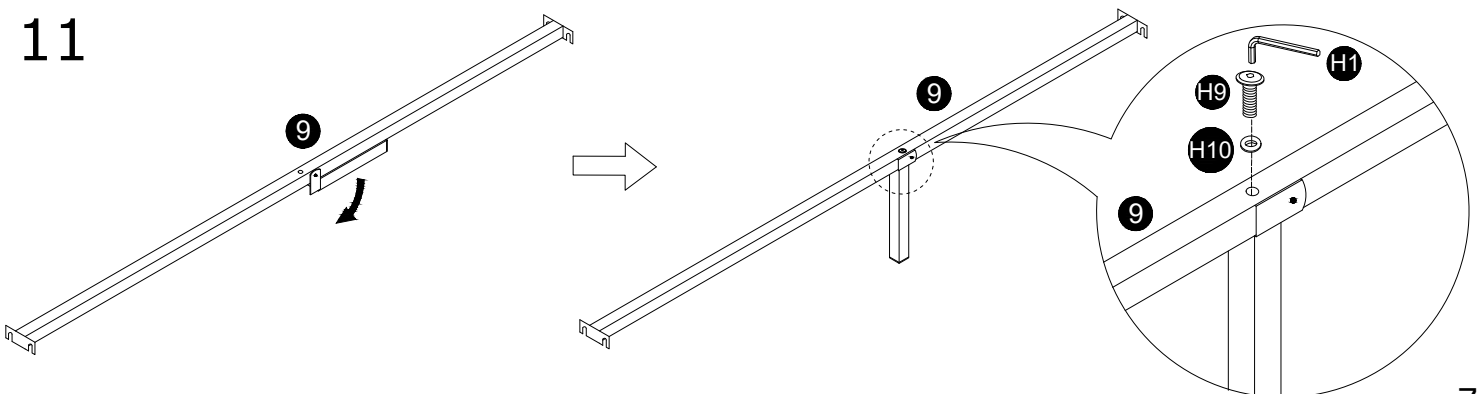


Bolts should be in centre of long holes

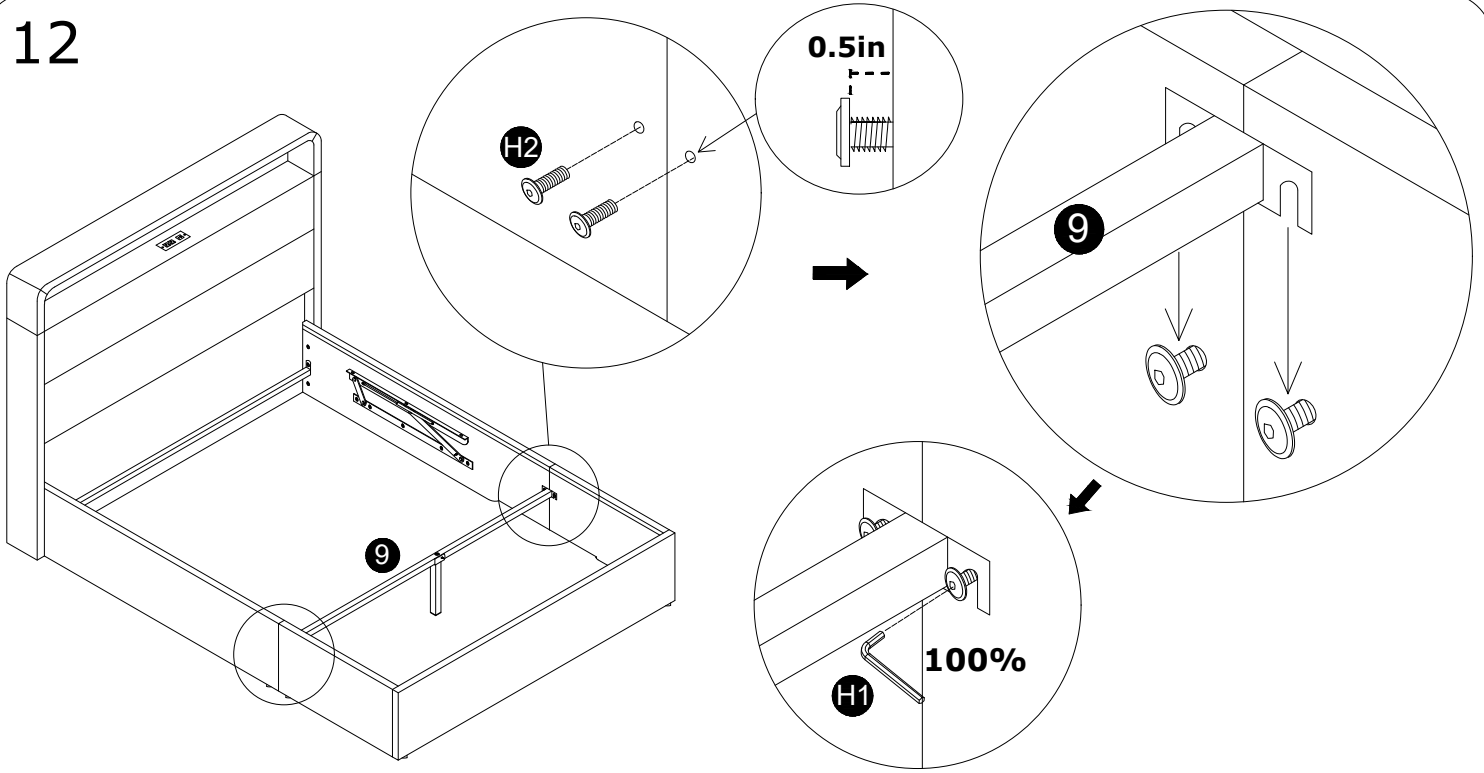
10



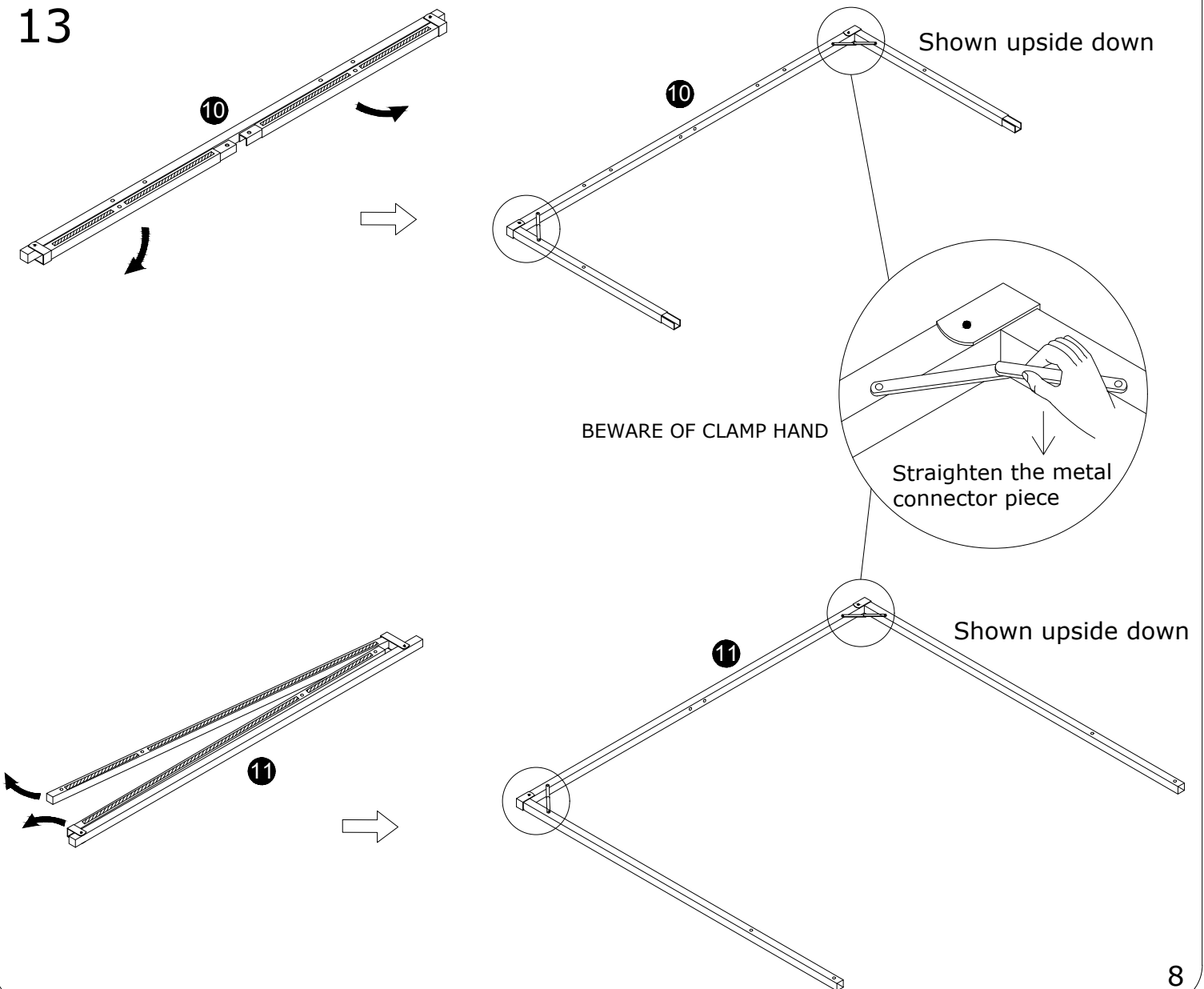
11



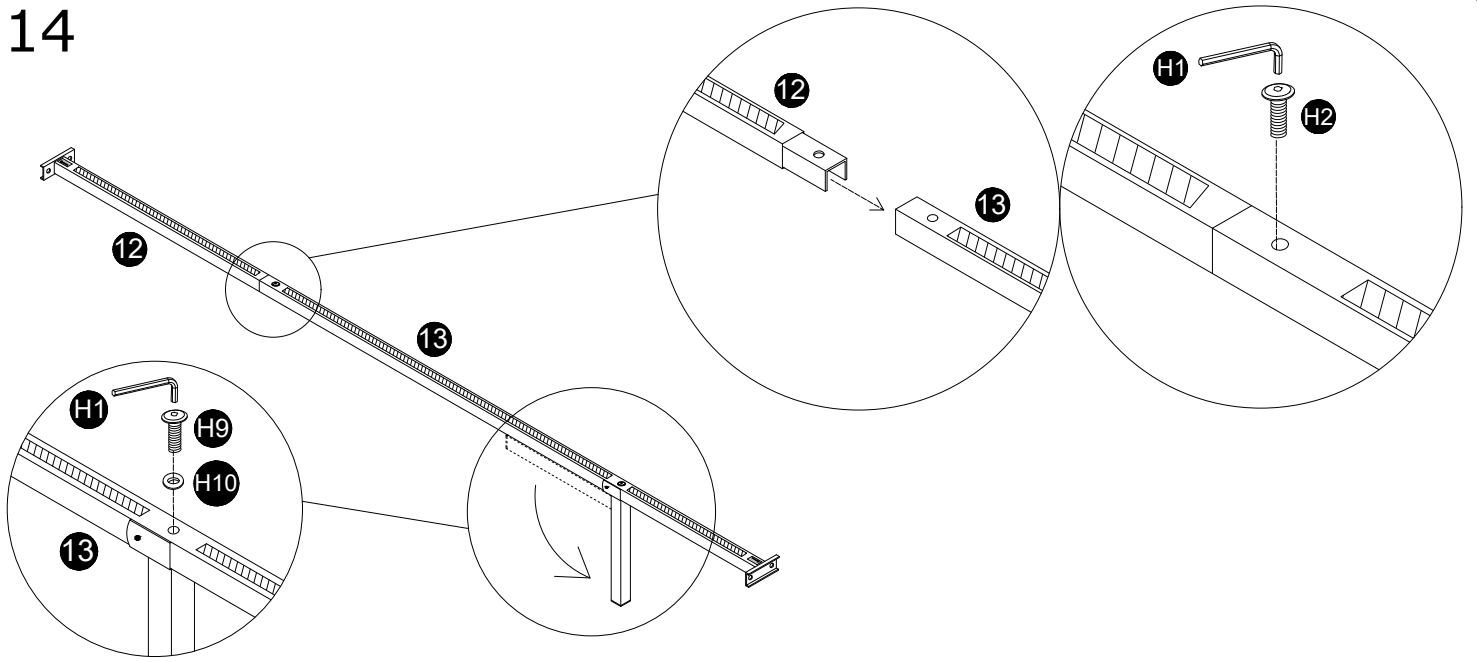
12



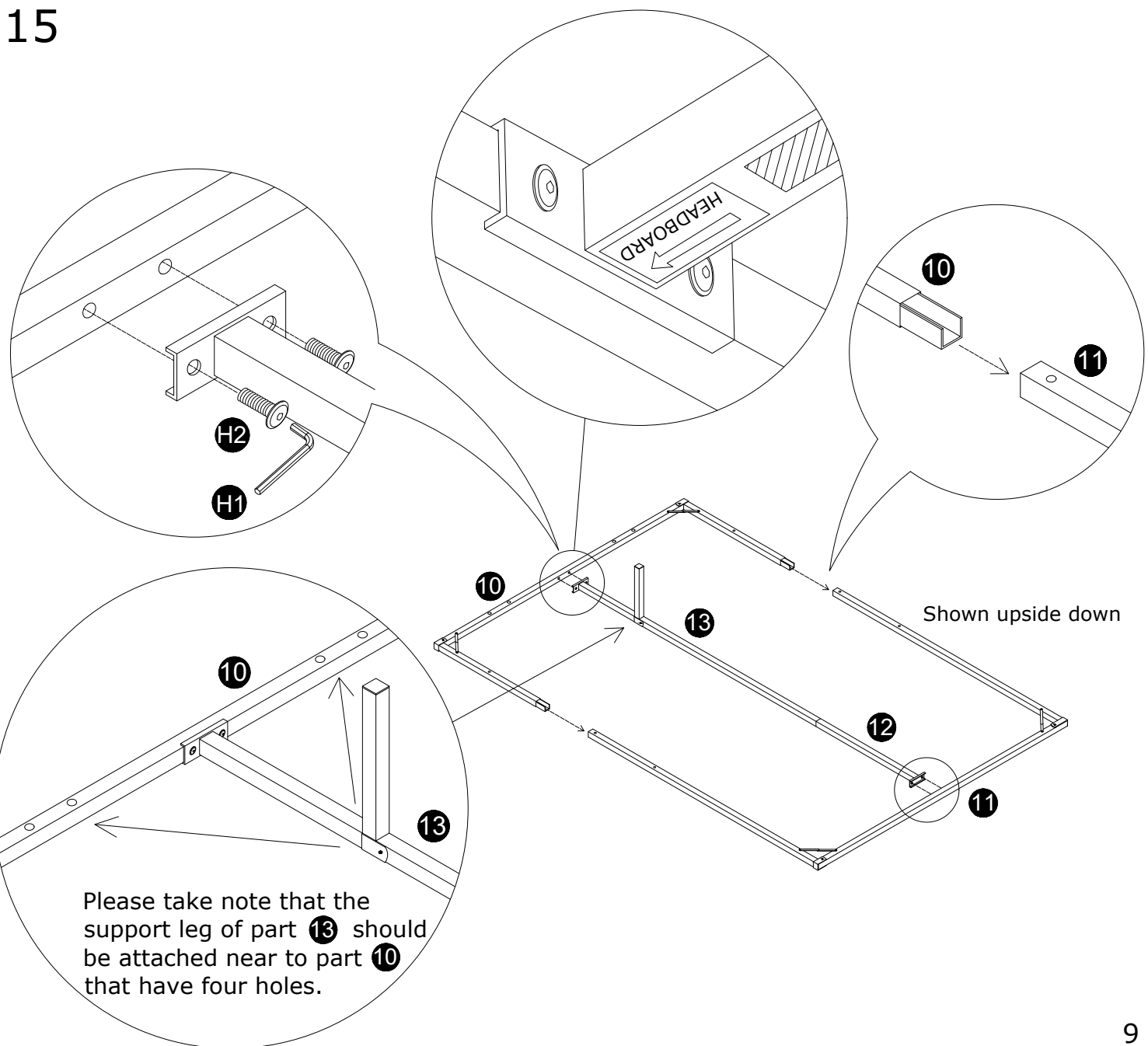
13



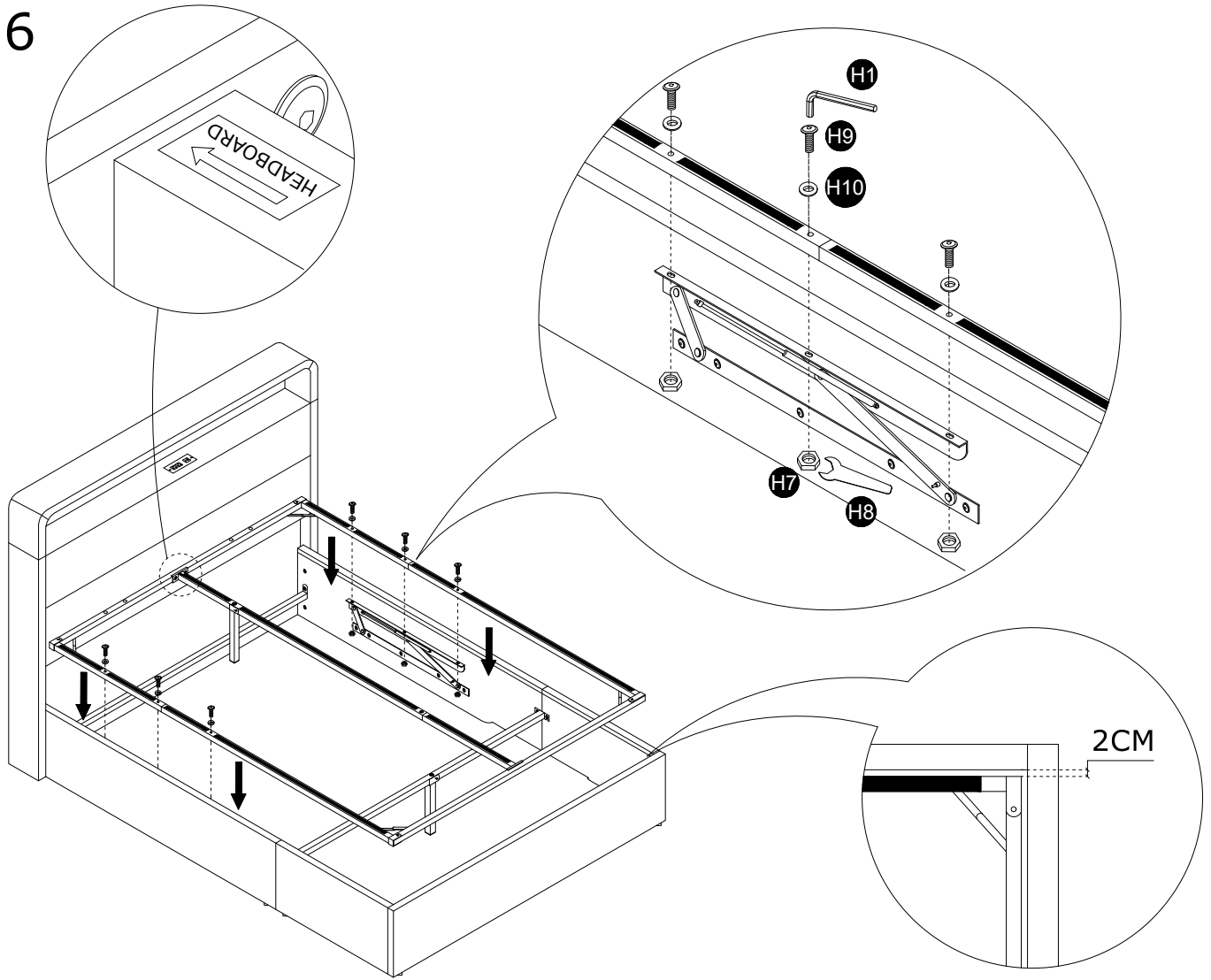
14



15

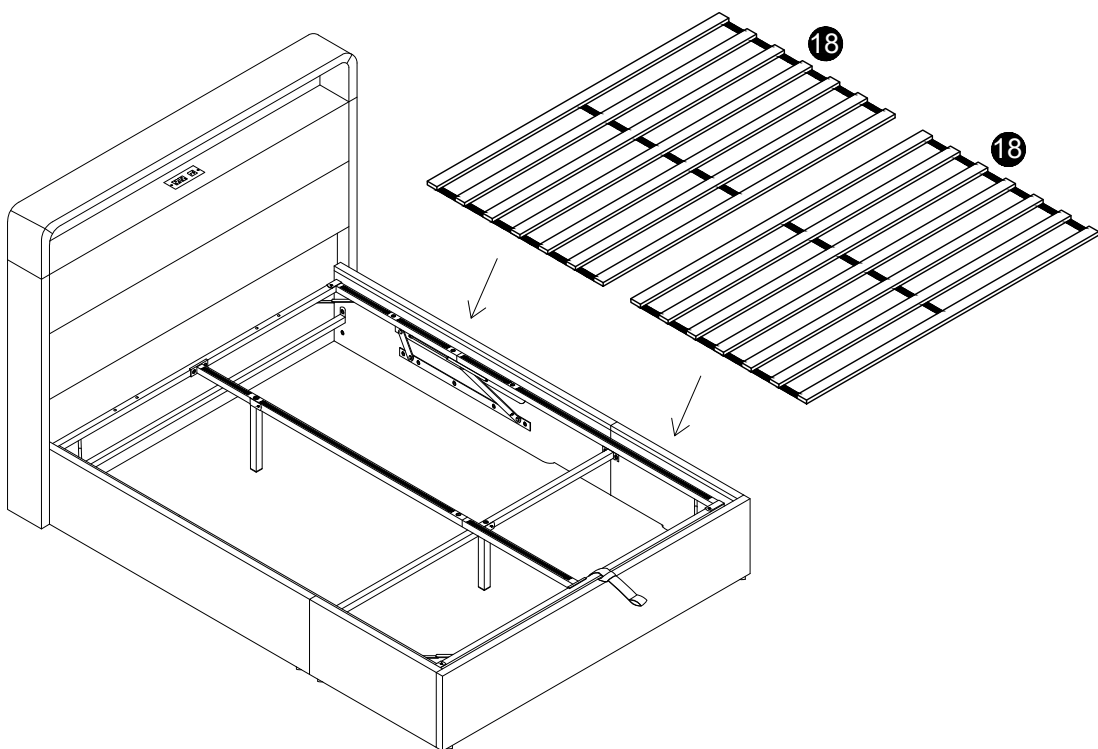


16

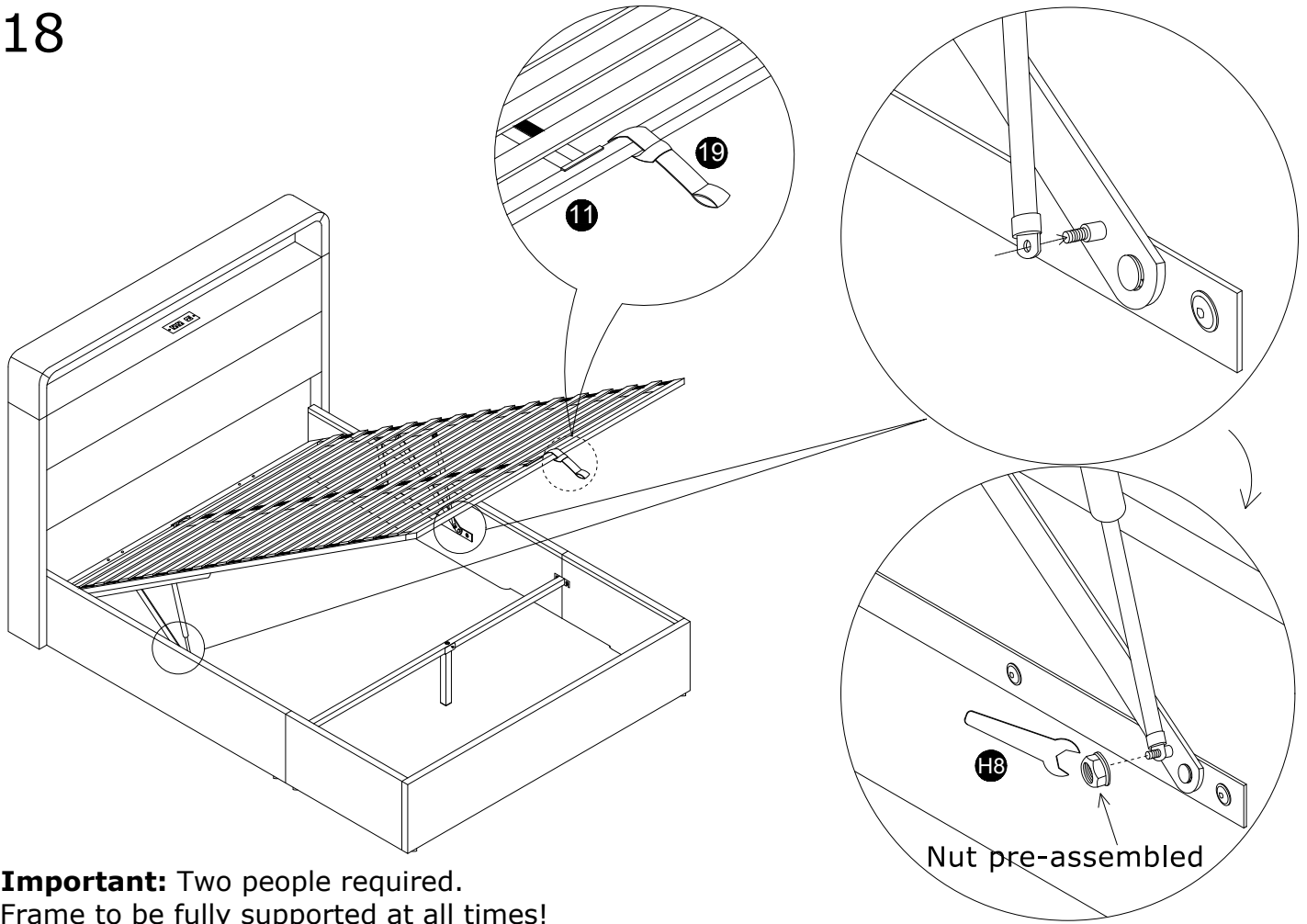


**Beware of risk of entrapment
from folding hinges!**

17

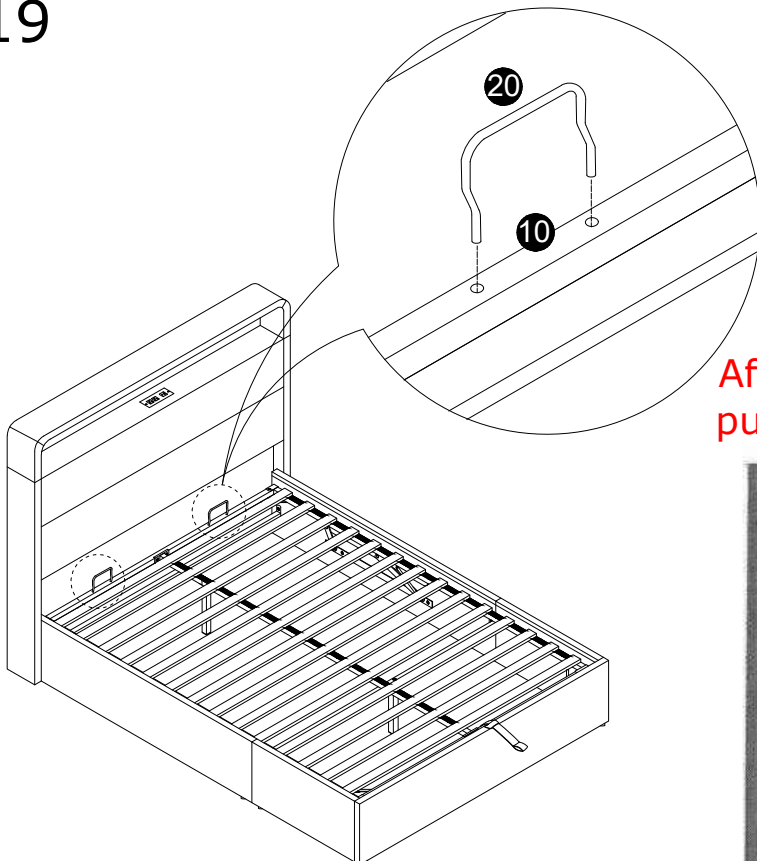


18

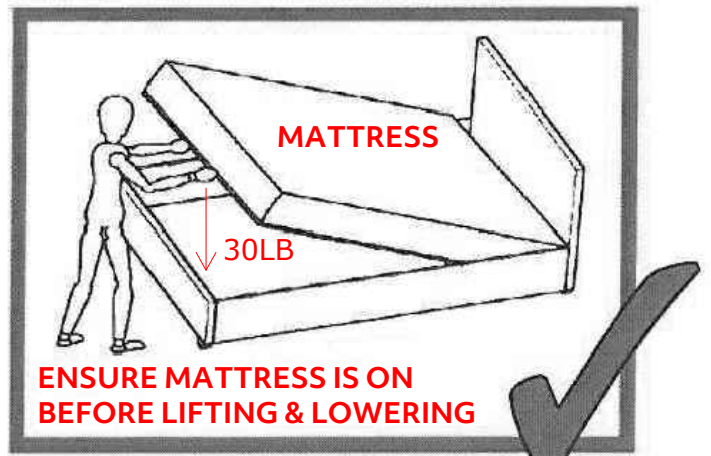


Important: Two people required.
Frame to be fully supported at all times!

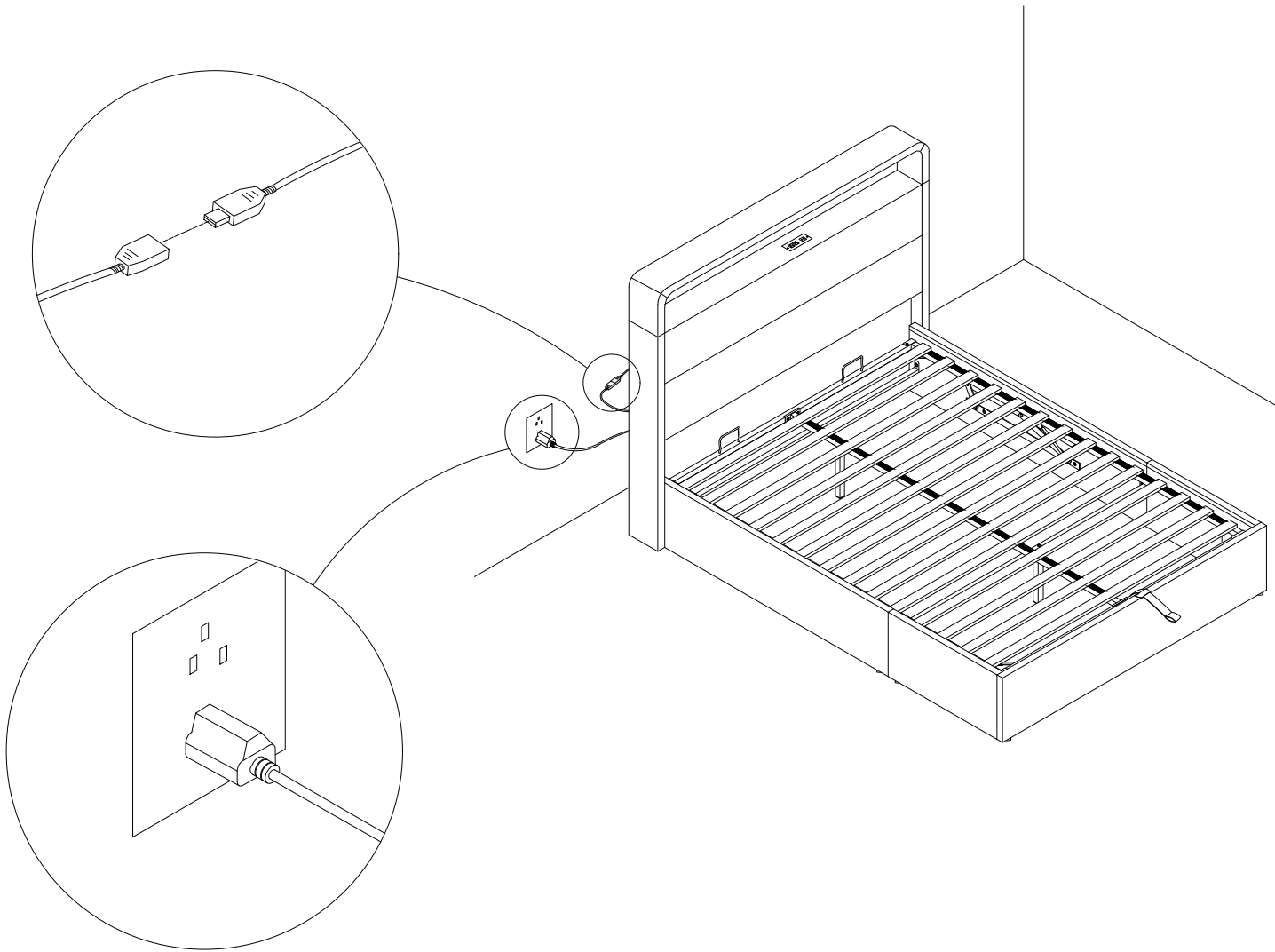
19



After placing the mattress on frame,
push down the frame with 30lbs force.



20



21

