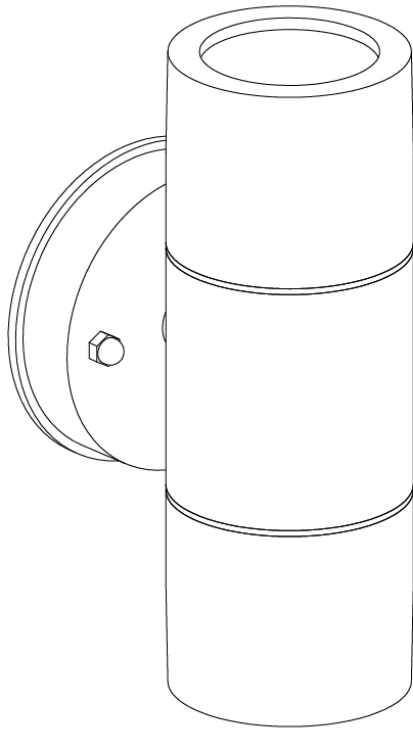


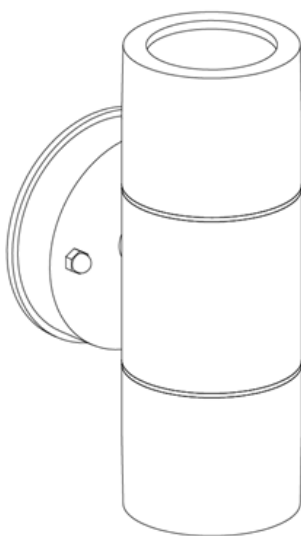
Steel Outdoor Up/Down Wall Light



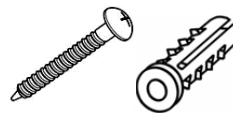
IMPORTANT

PLEASE READ THE INSTRUCTIONS BEFORE SET UP AND INSTALLATION

COMPONENT PARTS AND FITTINGS



Wall Light x1



Screw & Wall Plug x 2
(Included in pack)

Suggested Tools:



Screwdriver



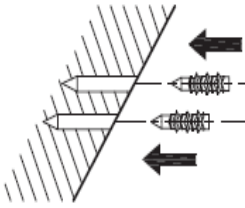
Pliers



Drill

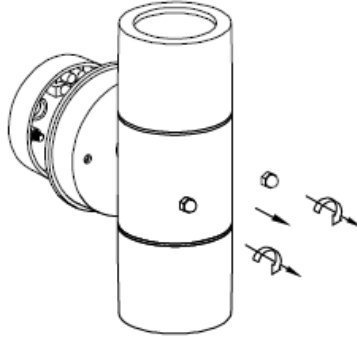
Steel Outdoor Up/Down Wall Light

DIA.1



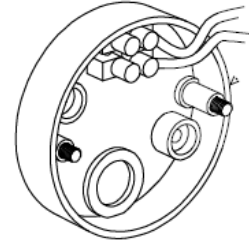
DIA.1 Mark the positions of the fixing holes onto the walls surface ensuring that they align to the mounting holes on the wall light. Drill holes on the marked positions with a 5mm drill bit.

DIA.2



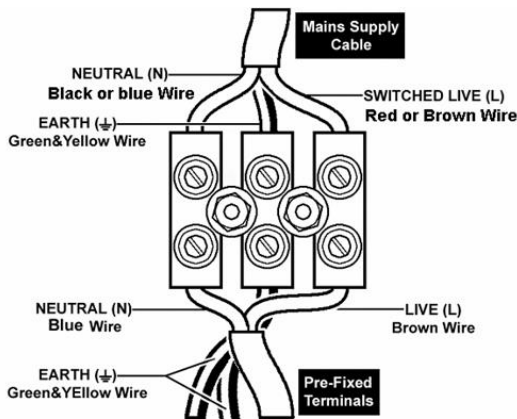
DIA.2 Remove the backplate light by unscrewing the 2 hex nuts

DIA.3



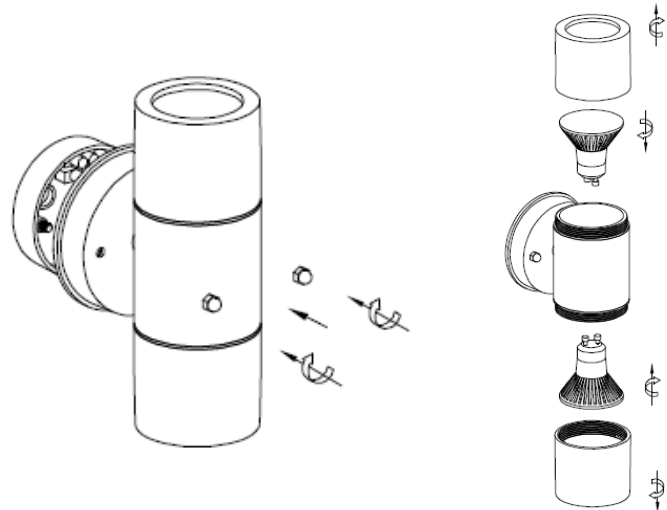
DIA.3 Mount the backplate in place (using the screws provided) taking care not to damage any of the supply wires or any sunken pipes.

DIA.4



DIA.4 Make the electrical connections in accordance with the diagram above. Fix the backplate to the fixing bracket with the side screws provided, taking care not to trap any supply wires

DIA.5



DIA.5 Refit the light to the backplate and secure with the 2 hex nuts, remove the cylinders, insert the bulbs (not supplied), refer to the wattage label for the type and wattage, do not exceed the wattage indicated on the label, refit the cylinders

IMPORTANT:

- Mains Voltage: 230/240V – 50Hz
- This lamp is Class I and requires an earth connection.

USER ADVICE

- Keep all packaging until after a successful installation and retain instructions for future use
- The design of the lamp may vary slightly from the illustration

LOCATION:

- Outdoor and Indoor Use
- Ensure the lamp is in a location where the power cable will not cause an accident

INSTALLATION:

- Fit the bulb (do not exceed the wattage stated on the product).

SAFETY:

- Before inserting or replacing bulbs make sure that the light is switched off and has cooled down.