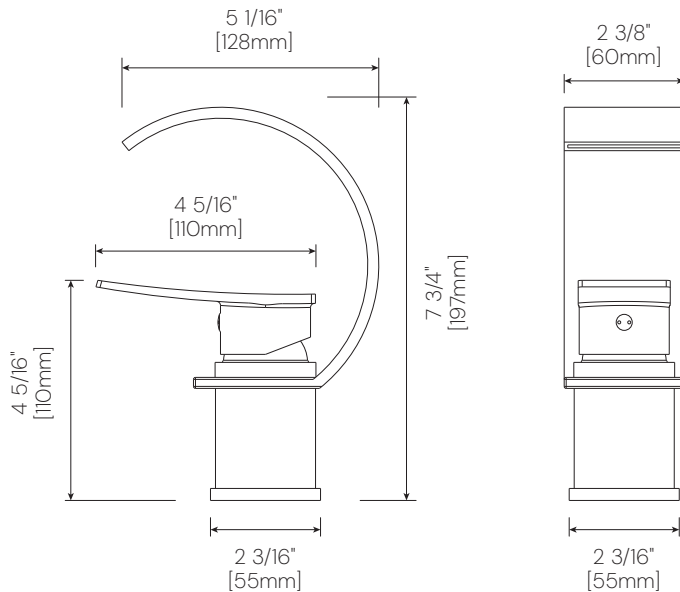


# BATHROOM SINK FAUCET

C50.BA01

**CRANACH**  
BATH & KITCHEN



## FEATURES

- All Metal Construction  
Durable metal build, superior strength and long-lasting reliability.
- Easy Wipe Clean  
Chemical-free cleaning, effortless maintenance on frequently touched areas.

## SPECIFICATION

- Inlet: G 1/2" female connection
- Finish Availability: Polished Chrome/Matte Black/Brushed Nickel/Brushed Gold

## FLOW

- 1.2 GPM @ 60 PSI MAX

## WARRANTY

- Parts and Finish: Limited lifetime warranty for residential, or 10 years for commercial purchasers and multi-family (apartments and condominiums) residential, in each case from the date of purchase.

## STANDARDS

- ASME A112.18.1/CSA B125.1

*Cranach reserves the right to make changes in specifications and materials and to change or discontinue models both without notice or obligation. Dimensions are only for reference only.*