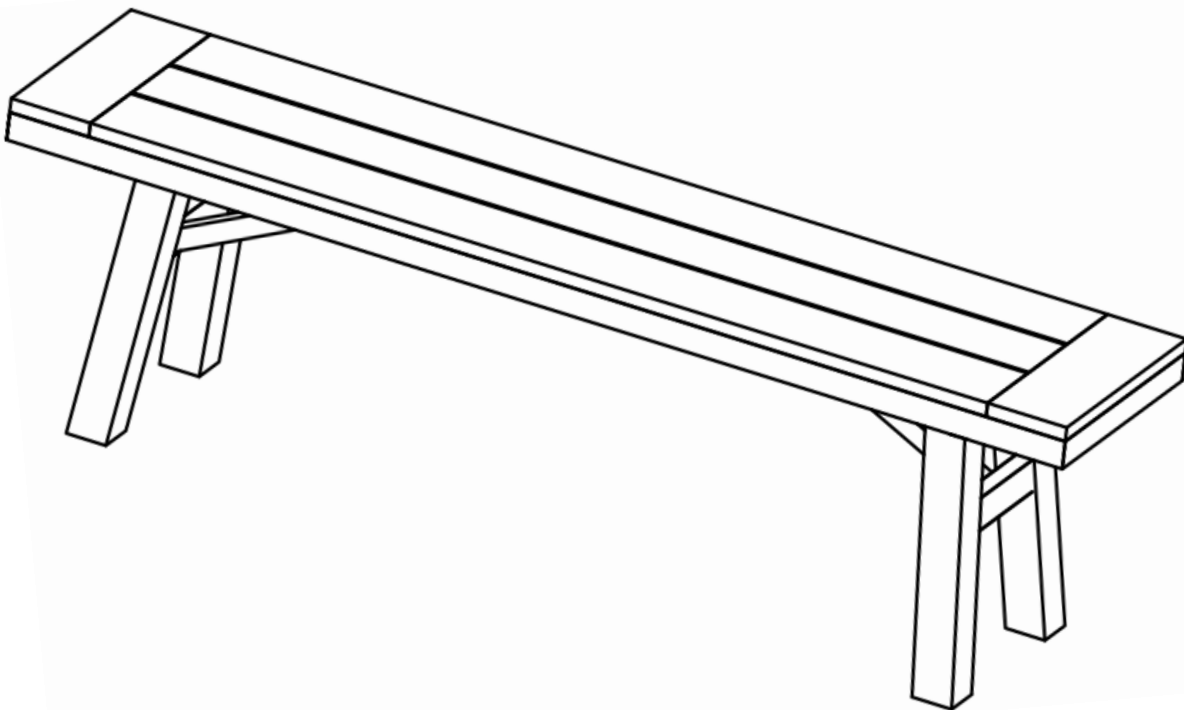


Assembly Instructions

Caution : You must read this before you proceed

BENCH

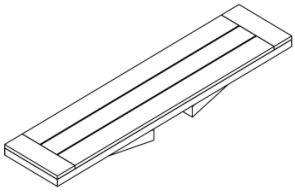
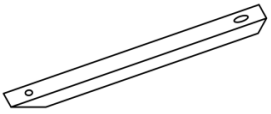


CAUTION : This Bench is NOT a TOY.





Keep your child / children at bay during the assembly process.

For moving the Bench and to prevent damage to the Chair, two adults may be needed to execute this action.

Parts List

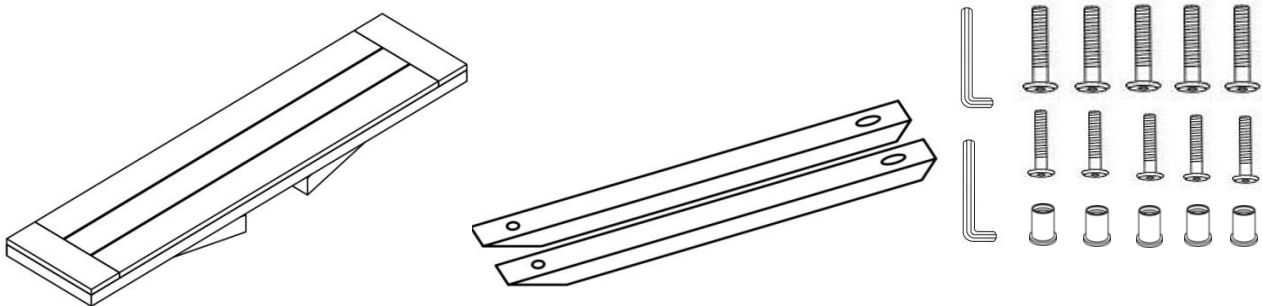
Label	Picture	Description	QTY
A		Bench seat with legs	1
B		Leg Support Bar	2

Hardware

Label	Picture	Description	QTY
①		Long Bolt (M6x45mm)	5
②		Short Bolt (M6x30mm)	5
③		Allen Key	2
④		Sleeve Nut (6x13mm)	5

Assembly Preparation

Before Beginning Assembly:



- Read instructions, cover to cover-



- Have 2 adults on hand for assembly-



- Do not assemble on flooring or carpet-



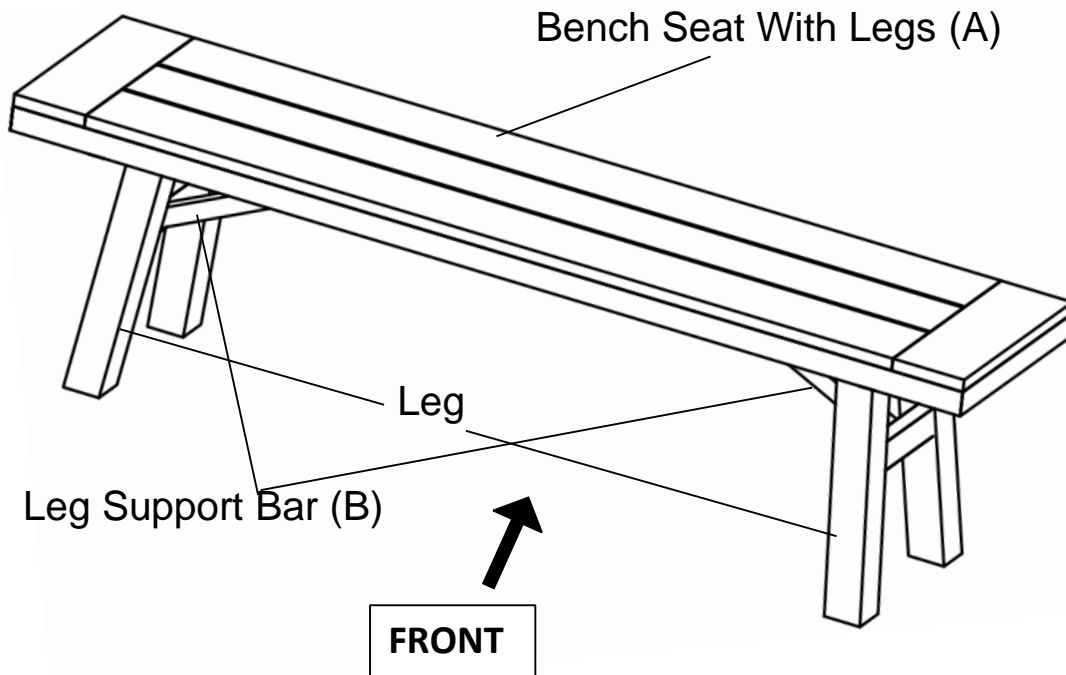
- Assemble on a clean non-marring surface (packing foam)-



- Save all packaging until finished-

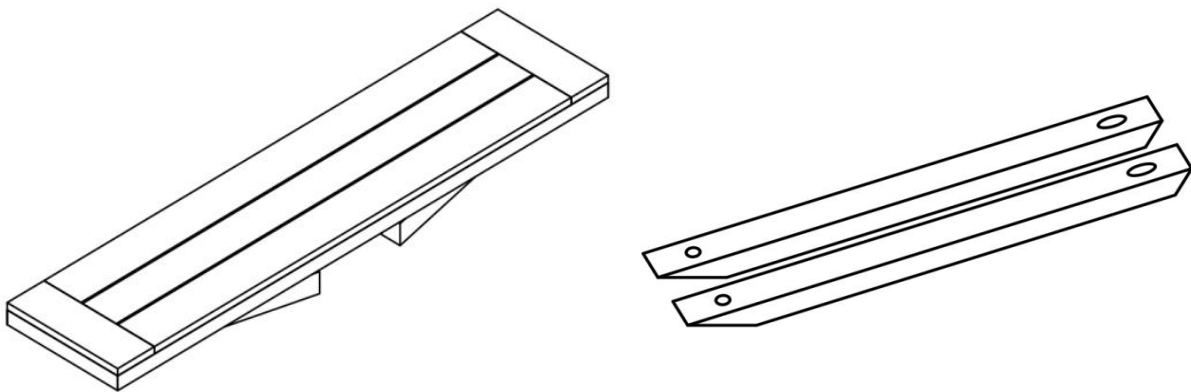
Assembly Steps

OVERVIEW



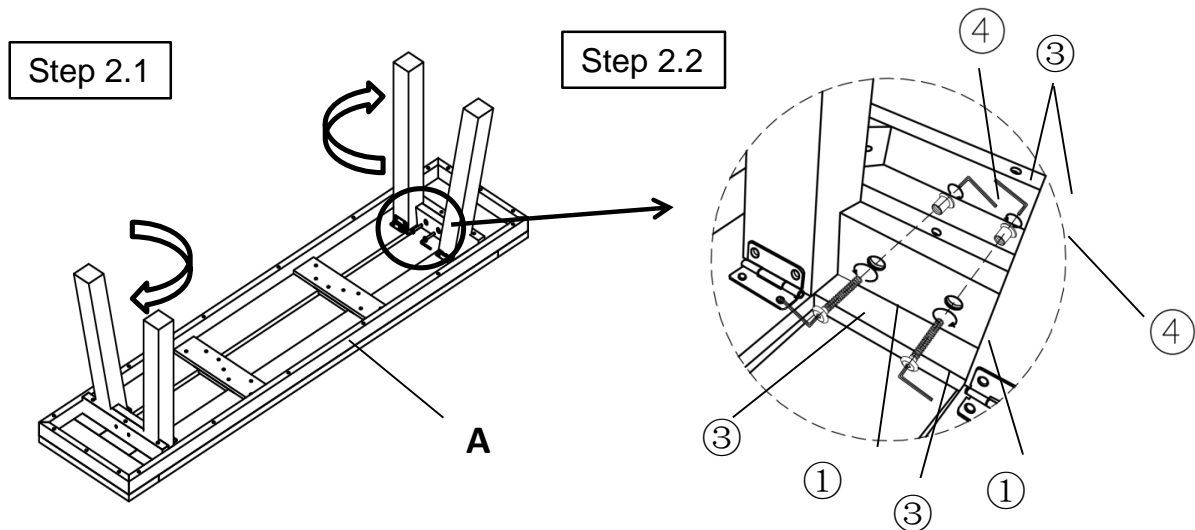
This Bench has multiple parts and may require up to some 30 minutes to assemble. To give you an overview of the Bench parts, the above picture is to help you put the various parts into perspective. Please read through the instructions below to familiarise yourself with the parts and steps before assembly.

Step 1



Unpack and place all parts on a clean, non-marring surface.

Step 2



Place the Bench (A) facedown, onto a clean, soft surface to avoid any scratches or damage to the product.

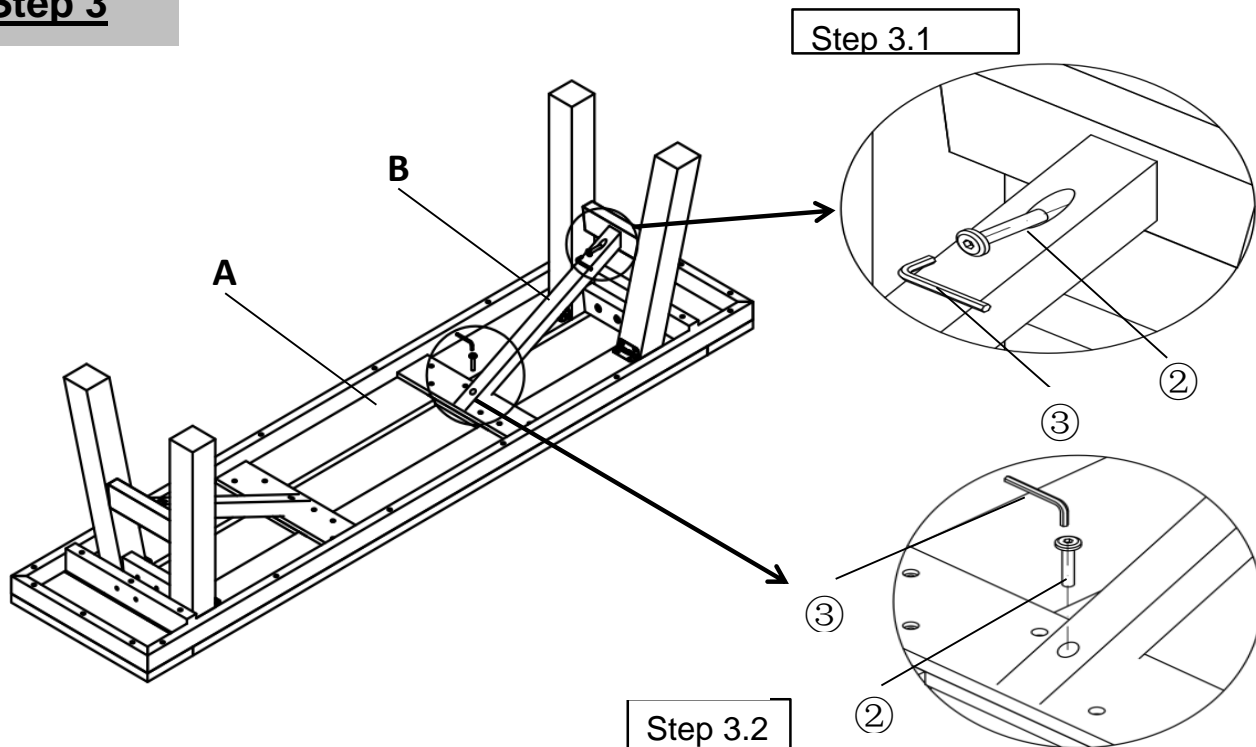
2.1) Lift legs upwards and outwards until the braces are flush with the base of the Bench, as shown in the above picture.

2.2) Insert 2 Long Bolts(①) and Sleeve Nut (④) through the mounting position of the Leg using the Allen Key(③)

Only loosely tighten the Bolts.

Repeat the same process with the other Leg.

Step 3



Position Leg Support Bar(B) as shown in picture above.

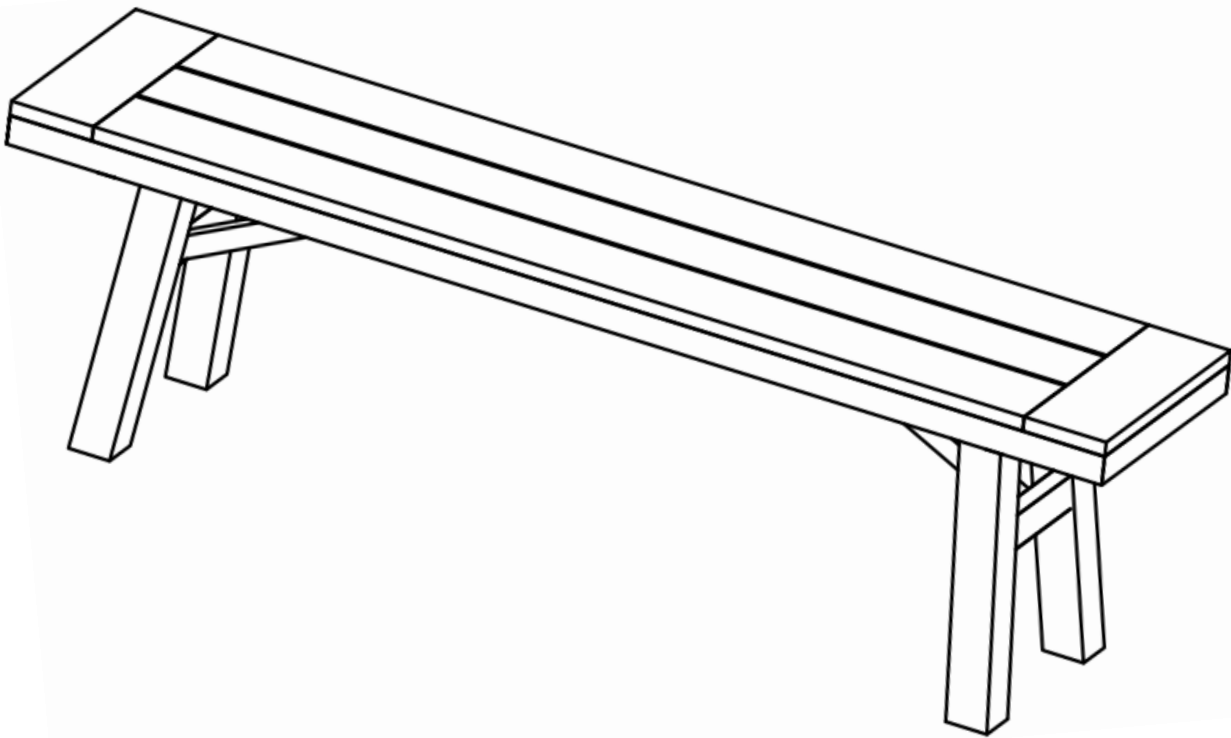
3.1) Secure Leg Support Bar(B) to Leg Connector using Short Bolt(②) with Allen Key(③).

3.2) Secure Leg Support Bar(B) to Bench(A) using Short Bolt(②) with Allen Key(③).

Only loosely tighten the Bolts.

Repeat the same process with the other Leg Support Bar(B).

Step 4



Stand the Bench right side up.










Gently, sit into to the Bench. This would help to align all parts at all joints and to protect wobble issue.

Then get off the Bench, in a sequential manner, tighten all Bolts until fully locked into position.

Your Bench is ready for use.

This Bench can only be used on a flat, level surface.

Care & Maintenance

- ⊘  ● Do not put hot items directly on furniture surface
 - ⊘  ● Do not clean furniture with harsh cleansers or polish.
 - ✓  ● To obtain the longest lifespan of your outdoor products, minimizing exposure to direct sunlight is recommended.
 - ⊘  ● Children should not climb or jump on the furniture.
 - ⊘  ● Do not write on furniture without a padded barrier to protect the surface.
 - ✓  ● To obtain the longest lifespan of your outdoor products, avoid extended and lengthy exposure to rain, snow, and direct sunshine. Whenever possible cover the product and /or place under patio or awnings.
 - ⊘  ● Not for commercial use. For residential use only .
 - ⊘  ● Stains may be removed with mild soap solution and damp cloth.
-
- ✓  ● Dust and pick-up spills using a clean, non-colored, lint-free cloth .