

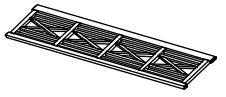
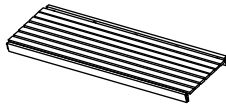
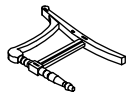
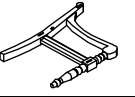

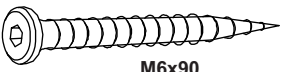

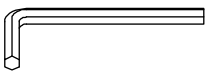
## CARE AND MAINTENANCE

Store outdoor furniture indoors or cover well when it is not in use. Dust regularly with small brush or vacuum. Spills should be taken care of immediately before they harden or stain with a slightly dampened sponge.

## NOTICE

Please make sure that you have all parts indicated before you begin assembly of this item.

### Part List and Hardware List

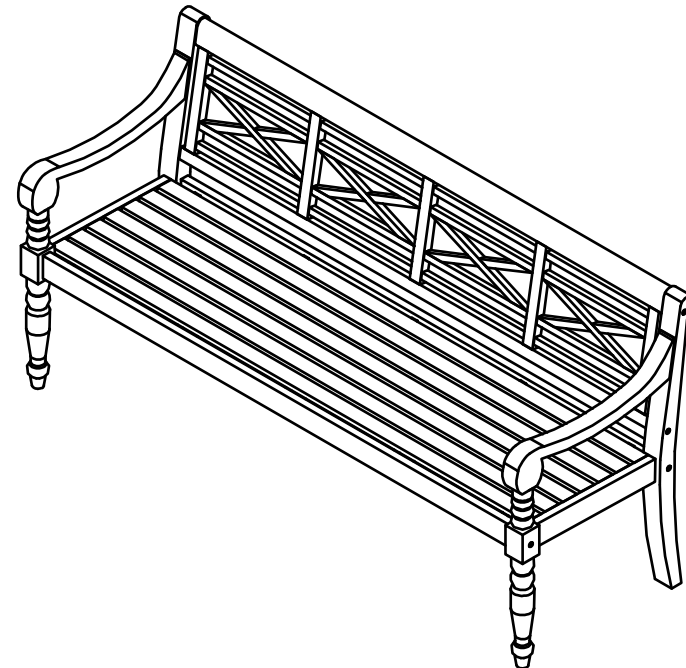
PIECE	DESCRIPTION	PICTURE	QUANTITY
A	Back		1 X
B	Seat		1 X
C	Right side		1 X
D	Left side		1 X
E 1	Allen Bolt	 M6x100	6 X
E 2	Allen Screw	 M6x90	2 X
E 3	Bolt	 M6x50	1 X
E 4	Allen Key		1 X

Product Dimension: 70.1"W x 24.41"D x 34.25"H

Weight capacity : 600 lbs.

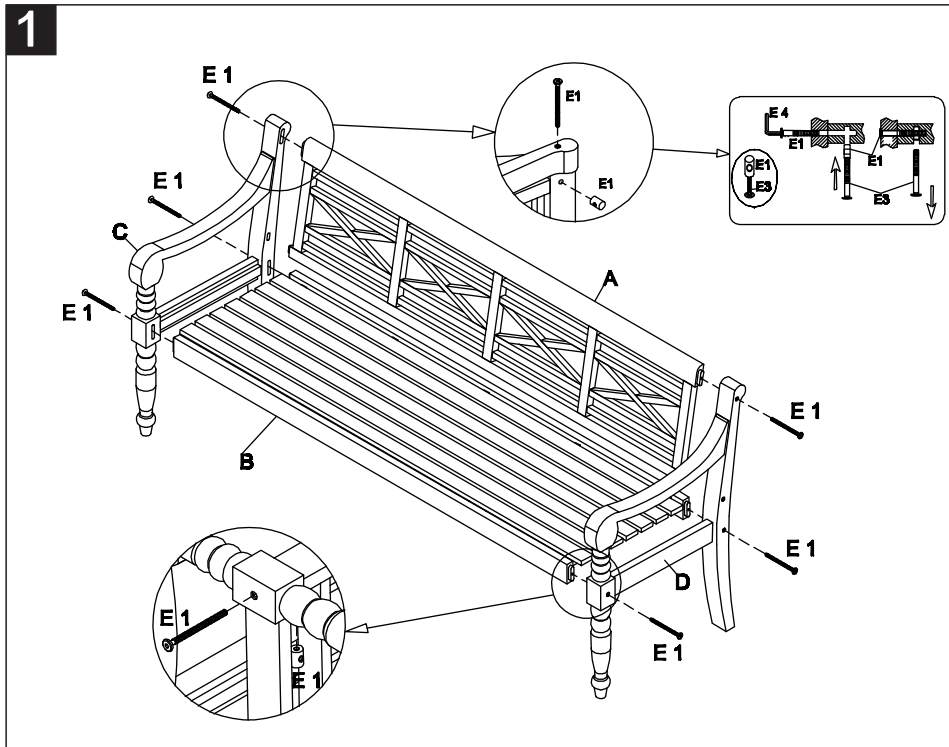
Warning : Do not stand on the bench

Warning : Do not torque bolts / screws

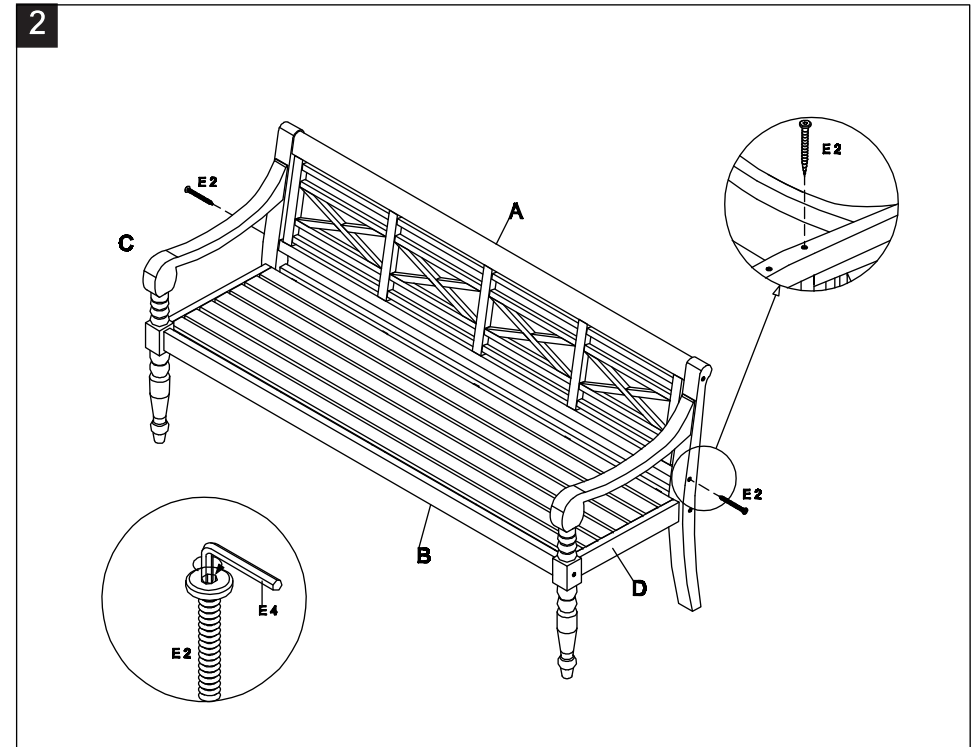


# PREPARATION

Before beginning the assembly of the product, make sure all parts are present. Compare the parts with the package contents list and hardware contents list. If any parts are missing or damaged, do not attempt to assemble the product. Tool required for assembly (included): Allen Key.



Step 1 : attach the left side (D) and right side (C) to the back (A) and seat (B) as shown on the picture. Then use the Allen bolt (E1) to tighten all sides by using the Allen Key (E4).



Step 2 : tighten the back (A) to the sides by using the Allen Screw (E2) by the Allen key (E4) as shown on the picture.