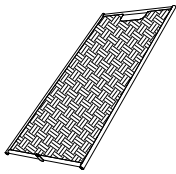
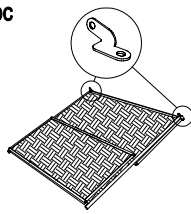
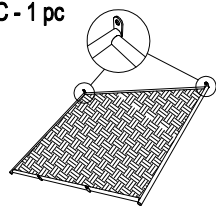
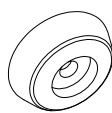
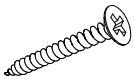
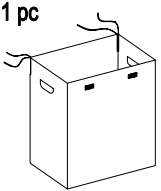
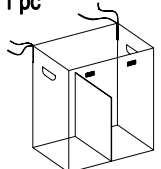
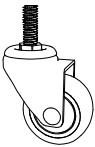
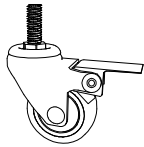
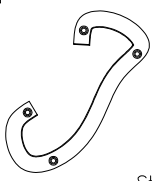

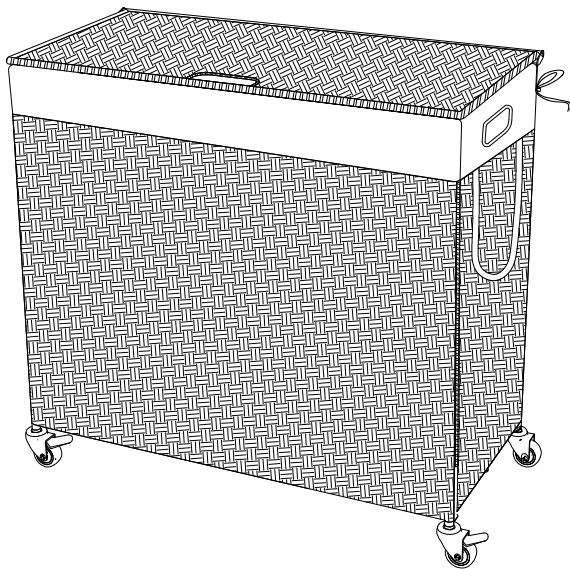


# I - PARTS AND HARDWARE

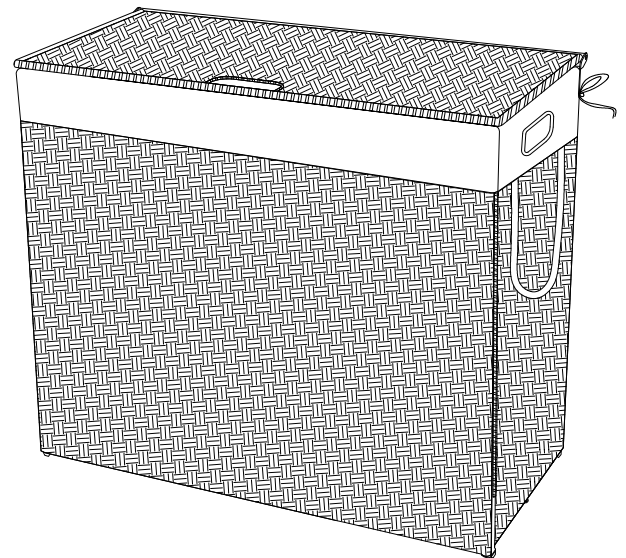
<p>A - 2 pcs</p> 	<p>B - 1 pc</p> 	<p>C - 1 pc</p> 	<p>D - 4 pcs</p>  <p>Foot button D17x7</p>	<p>E - 8 pcs</p>  <p>Screw M5x40</p>	<p>F - 1 pc</p>  <p>1 Compartment</p>
<p>G - 1 pc</p>  <p>2 Compartment</p>	<p>H - 2 pcs</p>  <p>Wheels D40x20 M8</p>	<p>I - 2 pcs</p>  <p>Lockable wheels D40x20 M8</p>	<p>K - 1 pc</p>  <p>Straps</p>	<p>L - 1 pc</p>  <p>Cle 13</p>	

- \* Please check you have all the parts listed below. Contact Beefurni if you have damaged or missing components.
- \* The screws quantities below are the correct amount to assemble this stool. In some cases more screws may be supplied than are required.
- \* PLEASE help us prepare A SCREWDRIVER to assemble.

## OPTIONAL WITH WHEELS

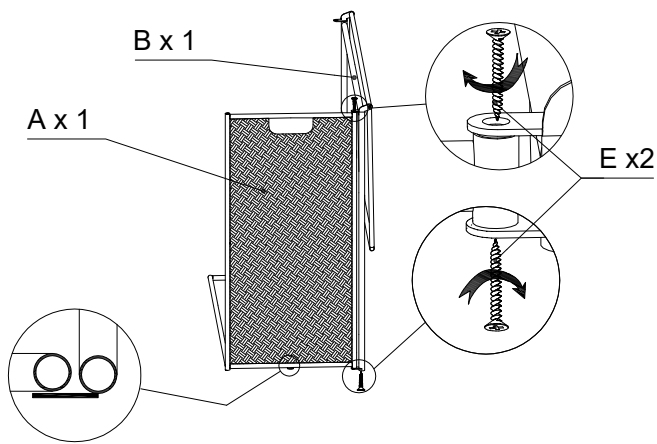


## OPTIONAL WITH FIXED FOOT BUTTON

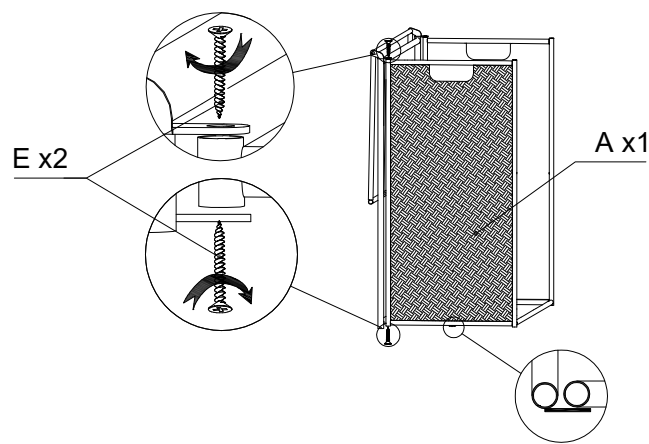


## II - PRODUCT ASSEMBLY: OPTIONAL WITH WHEELS

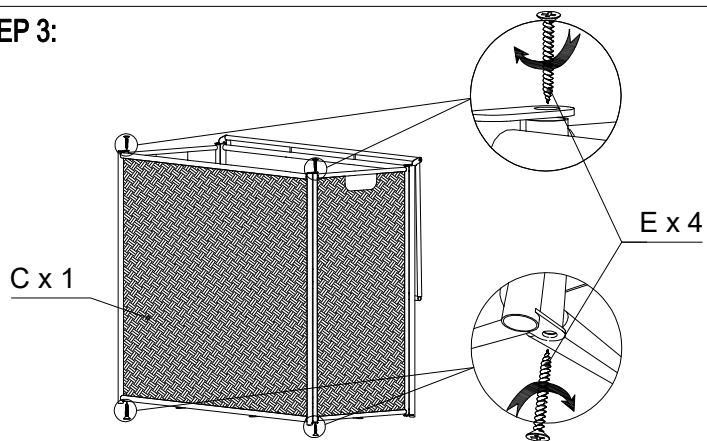
### STEP 1:



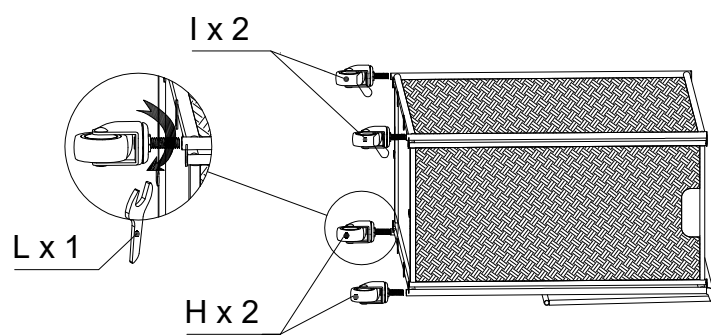
### STEP 2:



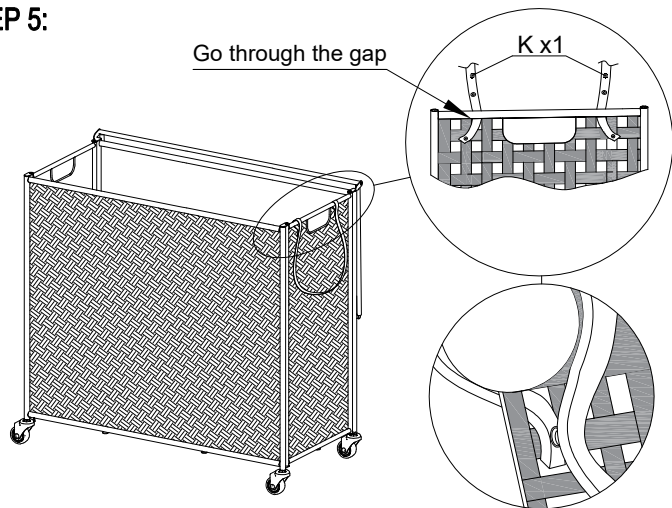
### STEP 3:



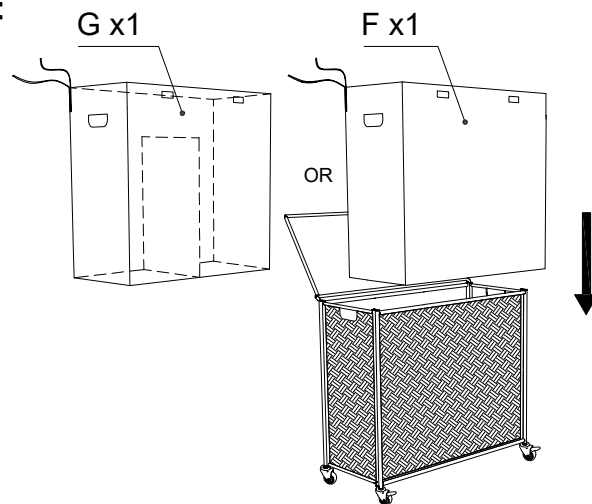
### STEP 4:



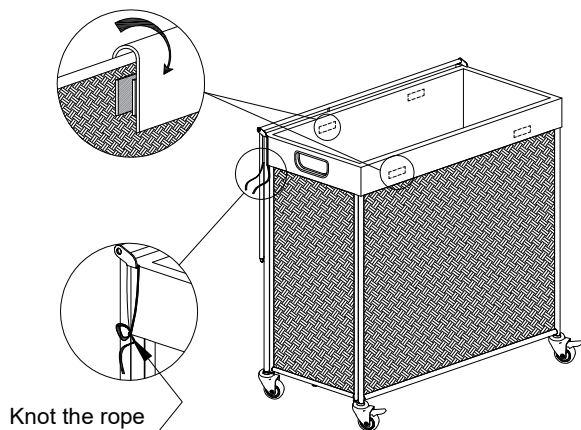
### STEP 5:



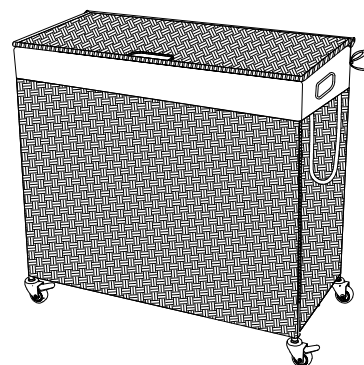
### STEP 6:



### STEP 7:

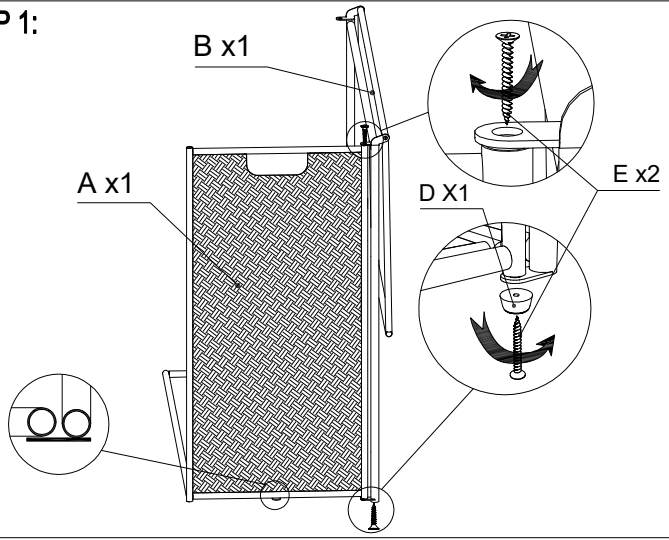


### STEP 8: FINISH

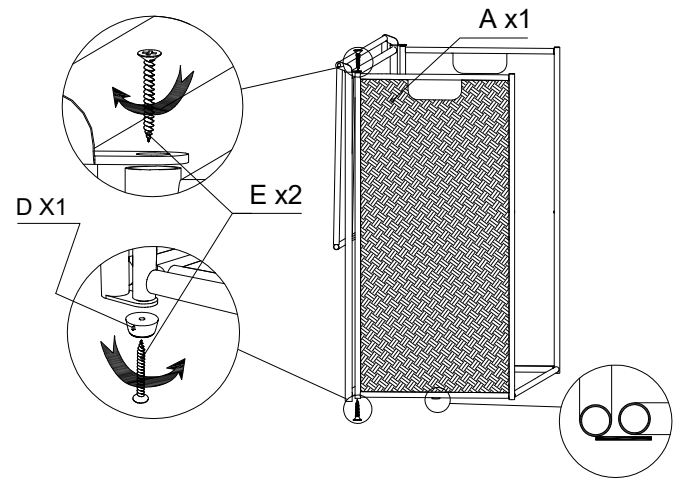


### III - PRODUCT ASSEMBLY: OPTIONAL WITH FIXED FOOT BUTTON

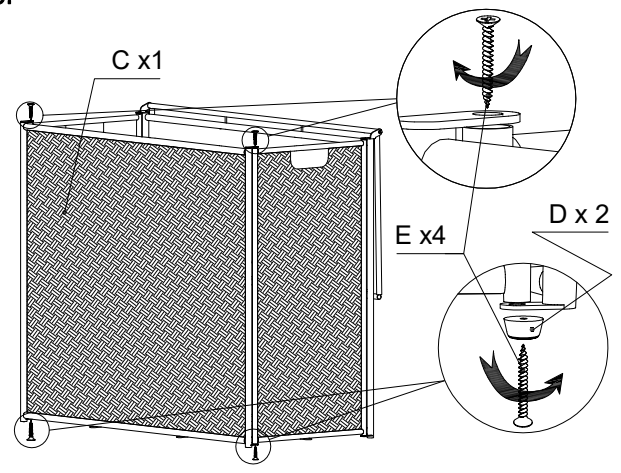
STEP 1:



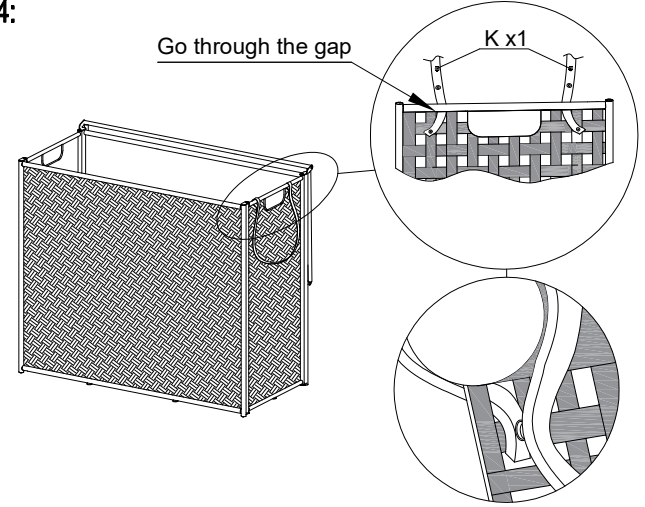
STEP 2:



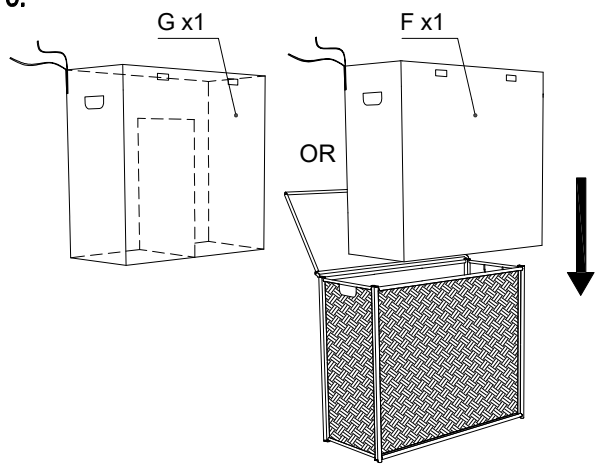
STEP 3:



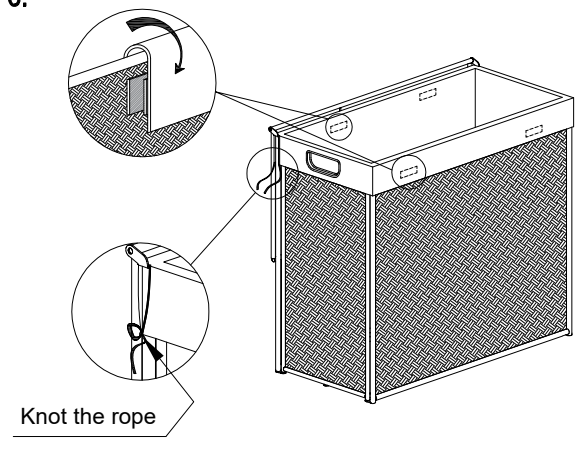
STEP 4:



STEP 5:



STEP 6:



STEP 7: FINISH

