

ASSEMBLY INSTRUCTIONS

ITEM #:WF300183AAE

Thank you for purchasing this quality product. Be sure to check all packing material carefully for small Hardware which may have come loose inside the carton during shipment. Identify and count all hardware and compare with the hardware list below

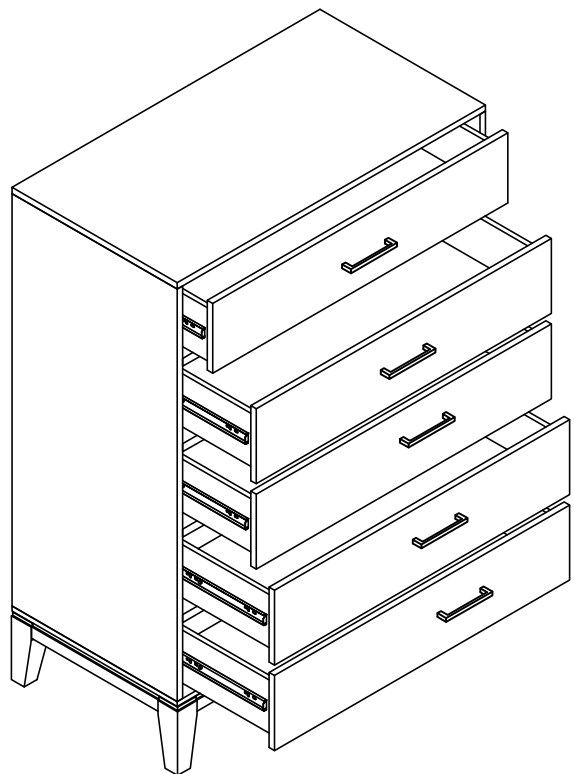
ASSEMBLY INSTRUCTION :

1. Remove hardware from box and sort by size.
2. Please check to see that all hardware and parts are present prior start of assembly.
3. Please follow attached instruction in the same sequence as numbered to assure fast and easy.

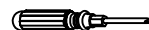


WARNING !

1. Don't attempt to repair or modify parts that are broken or defective. Please contact the store immediately.
2. This product is for home use only and not intended for commercial establishments.
3. Two persons are required for assembly.
4. Approximate assembly time: 1/2 hours
5. Component parts and fittings contained in the box.
Please sort out all parts before you begin to assemble the item.
This is to make sure you always use the correct part
6. It is **STRONGLY RECOMMENDED** that you **ANCHOR** this product.
Toppling furniture can cause serious injuries and death.
This product has not been fitted with an anchor strap.
To prevent your furniture from tipping forward it is strongly recommended that you securely attach this product to a wall or other solid surface, using the anchor straps provided and appropriate fixings.



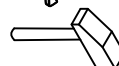
TOOLS NEEDED: Phillips Screwdriver



Wall Drill

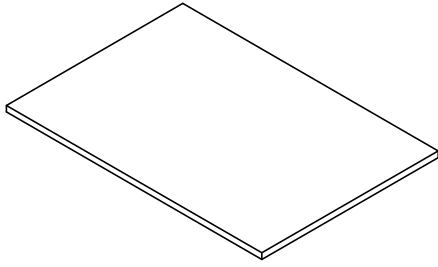


Hammer



ASSEMBLY INSTRUCTIONS

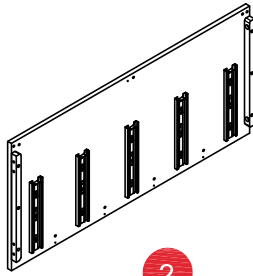
WF300183AAE



1

x1

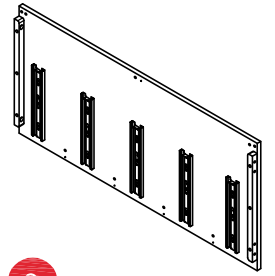
Top panel



2

x1

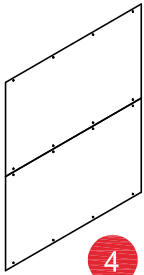
Left side panel



3

x1

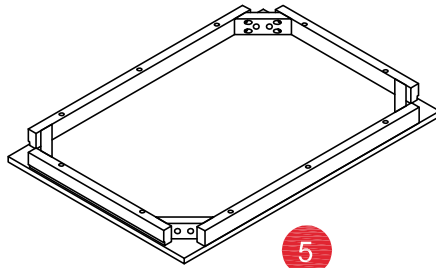
Right side panel



4

x1

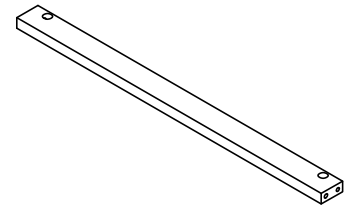
Back panel



5

x1

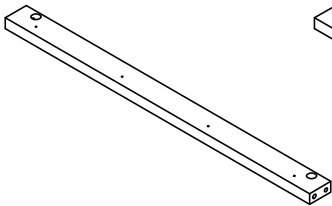
bottom panel



6

x4

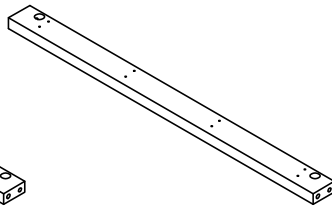
front panel



7

x2

rear panel 1



8

x1

rear panel 2



9

x2

front bottom panel



10L

x1

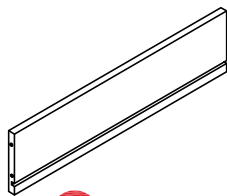
rear bottom panel



10R

x1

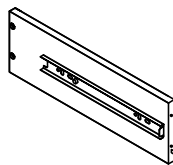
rear bottom panel



11

x5

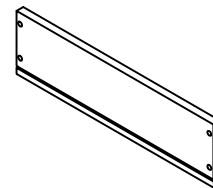
Drawer back panel



12

x5

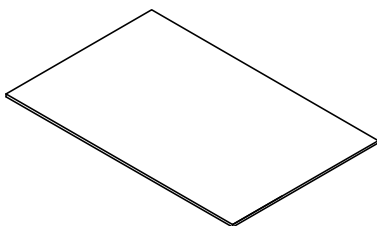
Drawer left side panel



13

x5

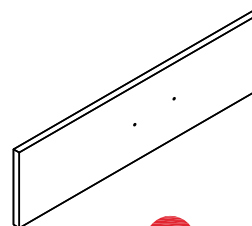
Drawer right side panel



14

x5

Drawer bottom panel



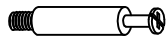
15

x5

Drawer front panel

ASSEMBLY INSTRUCTIONS

WF300183AAE



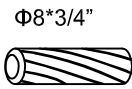
A

x34
Cam-bolts



B

x34
Cam-locks



$\Phi 8 \times 3/4$ "

C

x8
Dowels



$\Phi 8 \times 1-1/8$ "

D

x14
Dowels

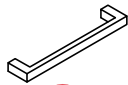
$5/32 \times 7/8$ "



E

x10
handle bolts

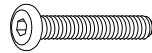
$5-3/4 \times 1 \times 1/4$ "



F

x5
Handles

$5/16 \times \Phi 8 \times 1-3/4$ "



G

x8
Bolts

$\text{Ø} 5/16 \times 22\text{mm}$



H

x8
Flat Washer

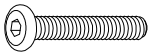
$\text{Ø} 5/16$ "



I

x8
Spring Washer

$1/4 \times \Phi 8 \times 3/4$ "



J

x8
Bolts

$\Phi 13 \times 1\text{mm}$



K

x8
Flat Washer

$\Phi 10 \times 1\text{mm}$



L

x8
Spring Washer

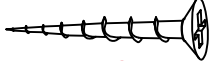
4mm



M

x1
Allen Key

$\Phi 8 \times 1$ "



N

x20
Screws

$\Phi 8 \times 5/8$ "



O

x16
Screws



P

x4
Hook



R

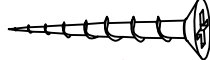
x4
Anchor



S

x2
Plastic tie

$\Phi 8 \times 1-1/4$ "



U

x4
Screws

$\Phi 8 \times 5/8$ "



V

x4
Screws

$1/4 \times 20$



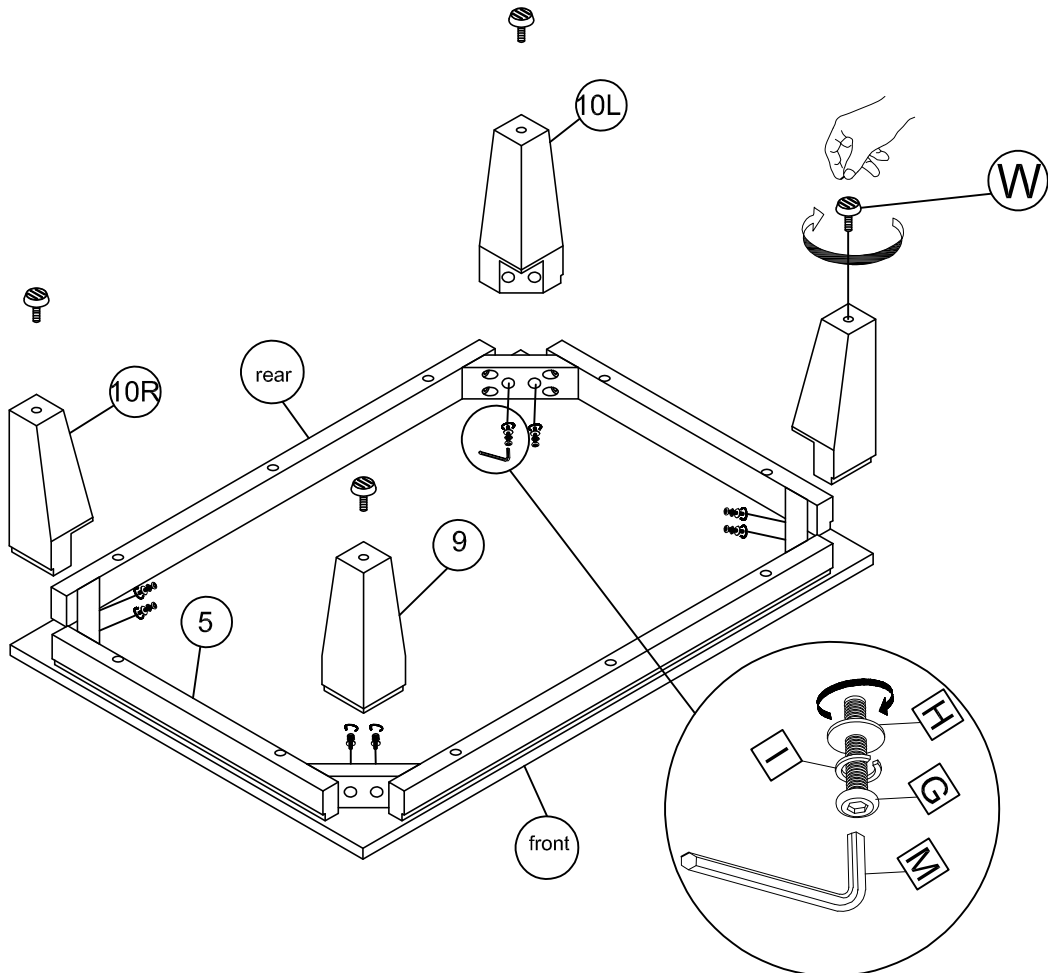
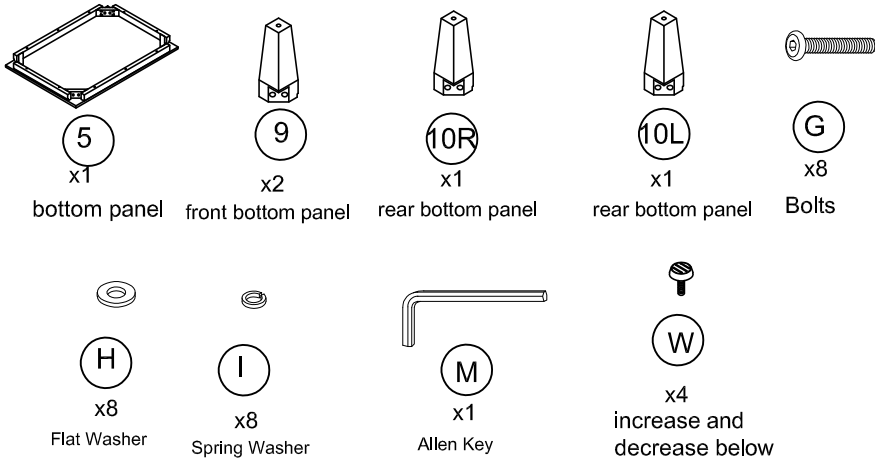
W

x4
increase and decrease below

ASSEMBLY INSTRUCTIONS

WF300183AAE

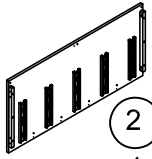
STEP 1



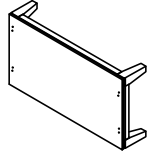
ASSEMBLY INSTRUCTIONS

WF300183AAE

STEP 2



x1
Left side panel



(A)

x7
Cam-bolts



(C)

x2
Dowels



(J)

x2
Bolts



(K)

x2
Flat Washer



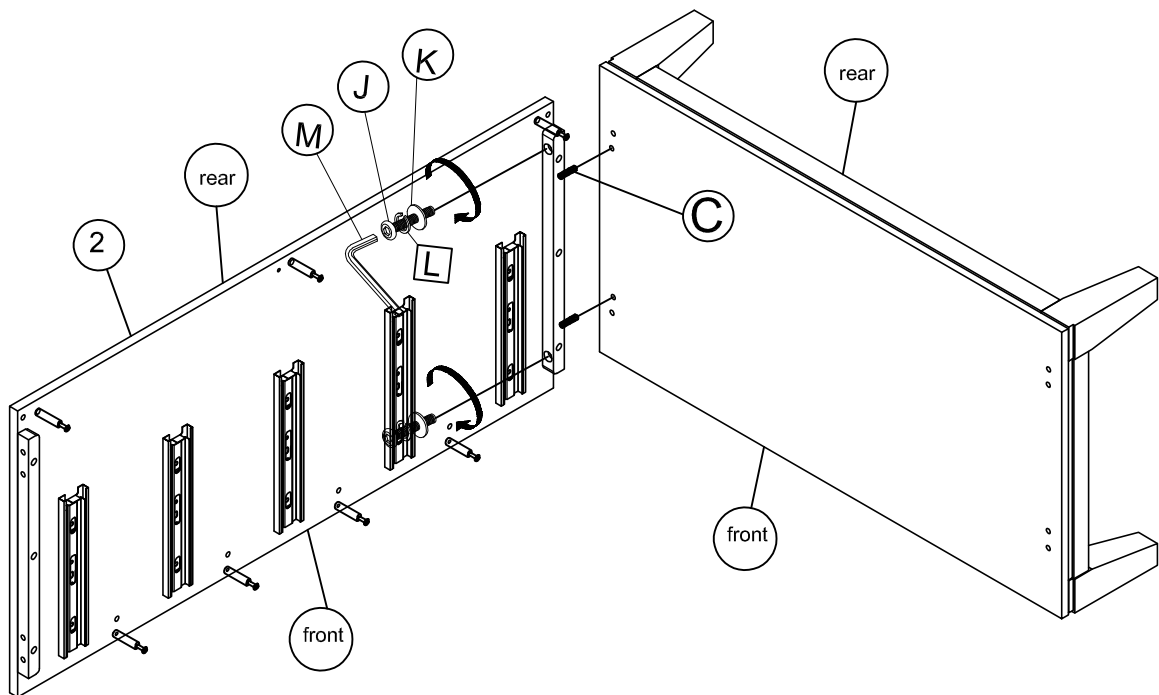
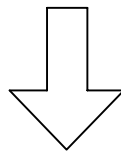
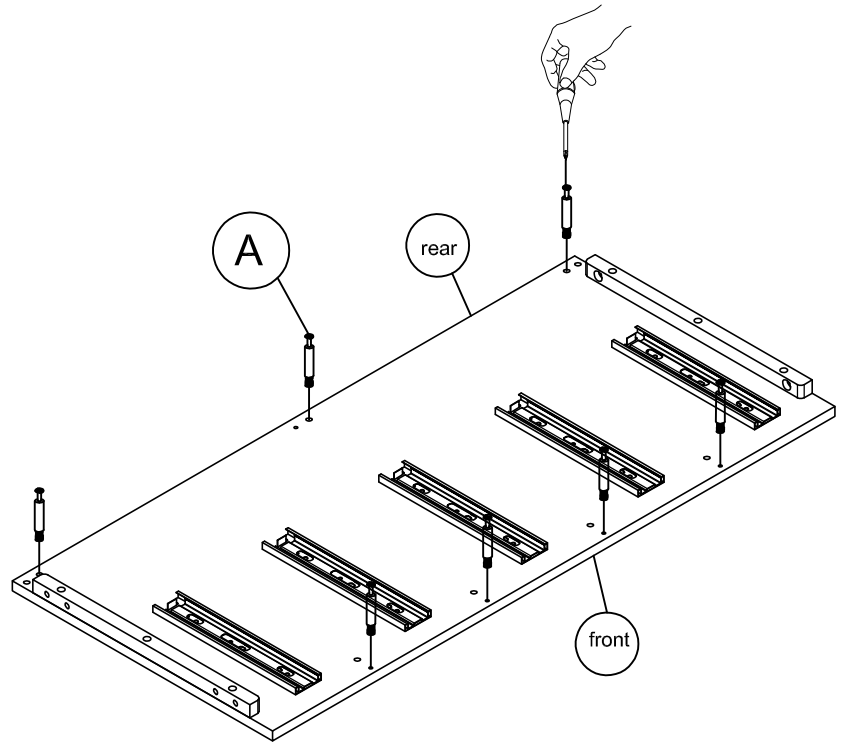
(L)

x2
Spring Washer



(M)

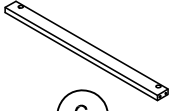
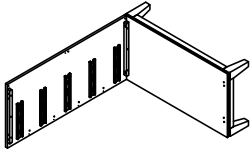
x1
Allen Key



ASSEMBLY INSTRUCTIONS

WF300183AAE

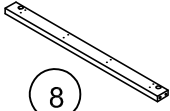
STEP 3



6
x4
front panel



7
x2
rear panel 1



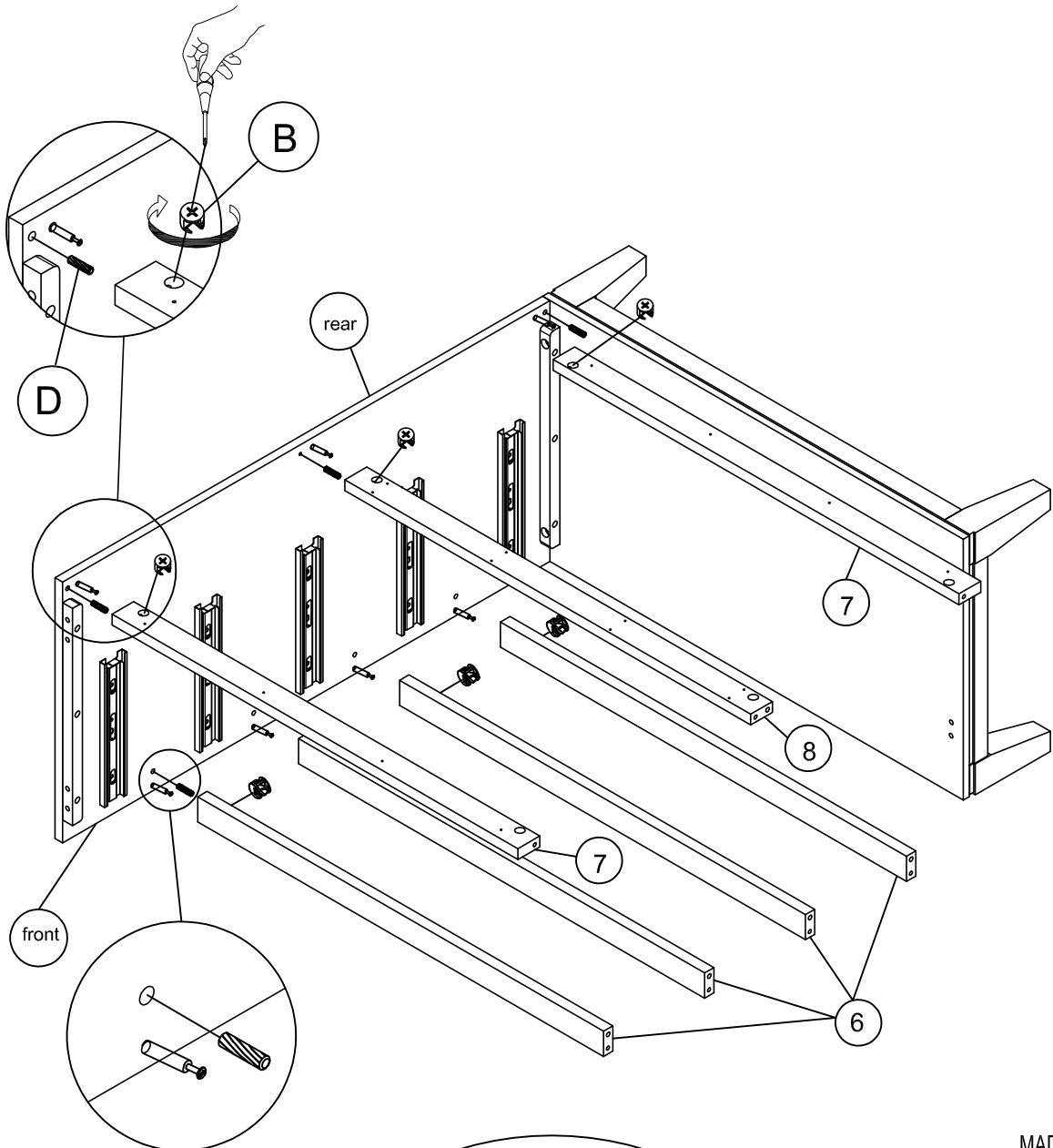
8
x1
rear panel 2



B
x7
Cam-locks



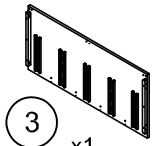
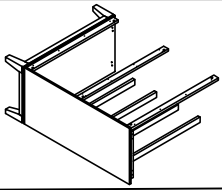
D
x7
Dowels



ASSEMBLY INSTRUCTIONS

WF300183AAE

STEP 4



3 x1
Right side panel



A

x7

Cam-bolts



B

x7

Cam-locks



C

x2

Dowels



D

x7

Dowels



J

x2

Bolts



K

x2

Flat Washer



L

x2

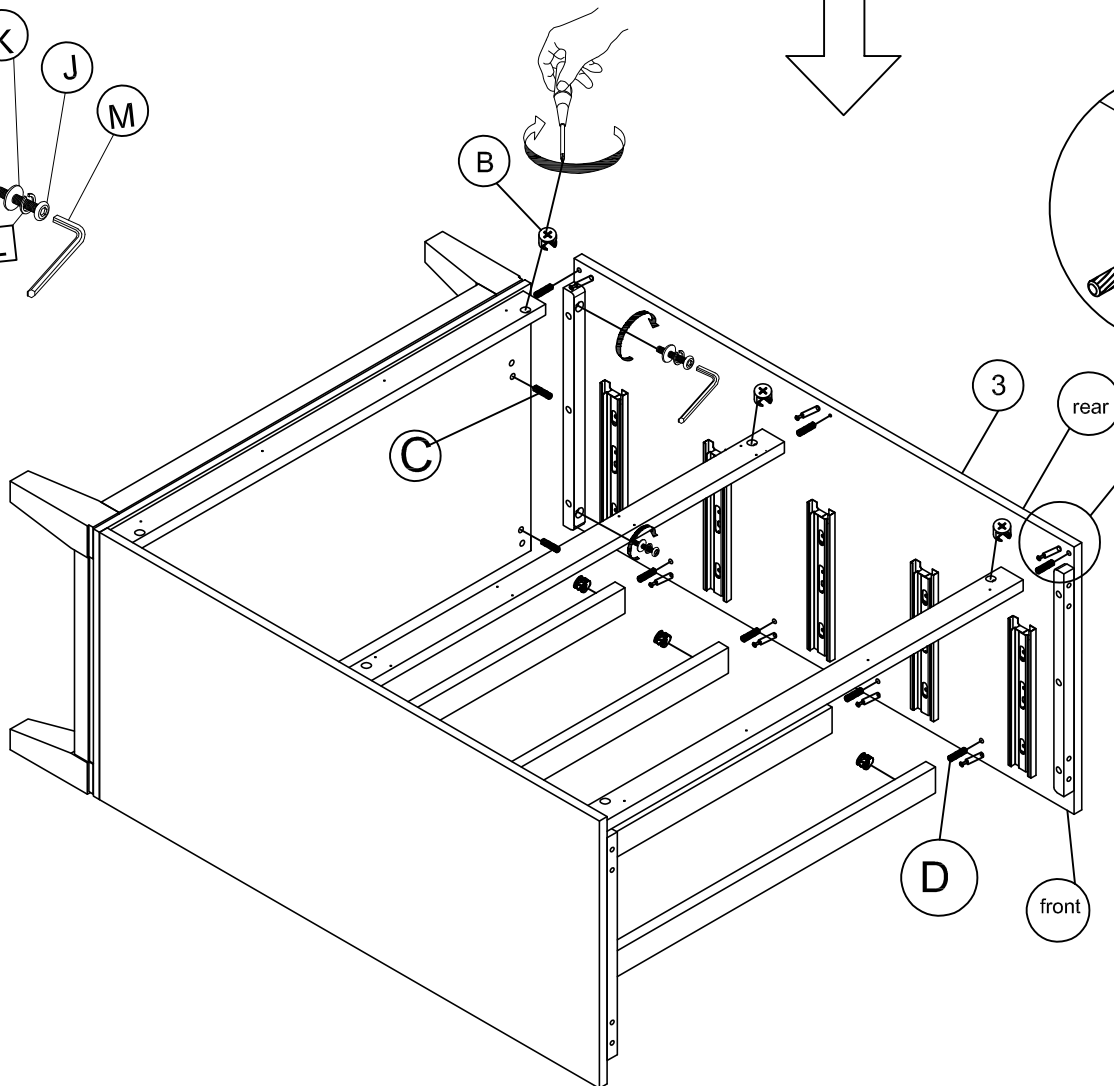
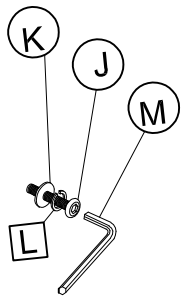
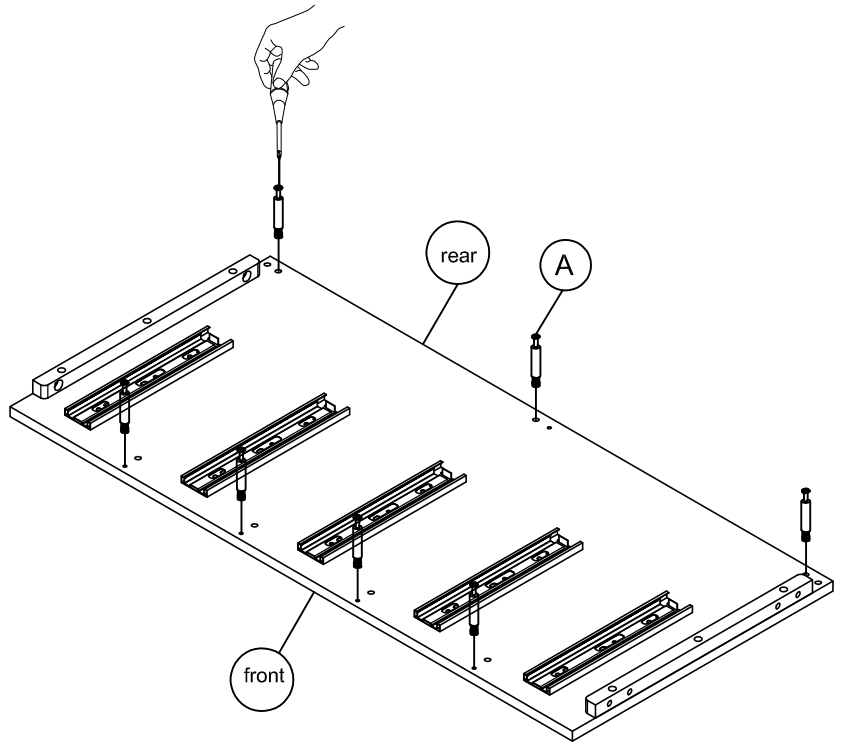
Spring Washer



M

x1

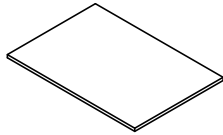
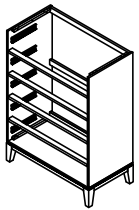
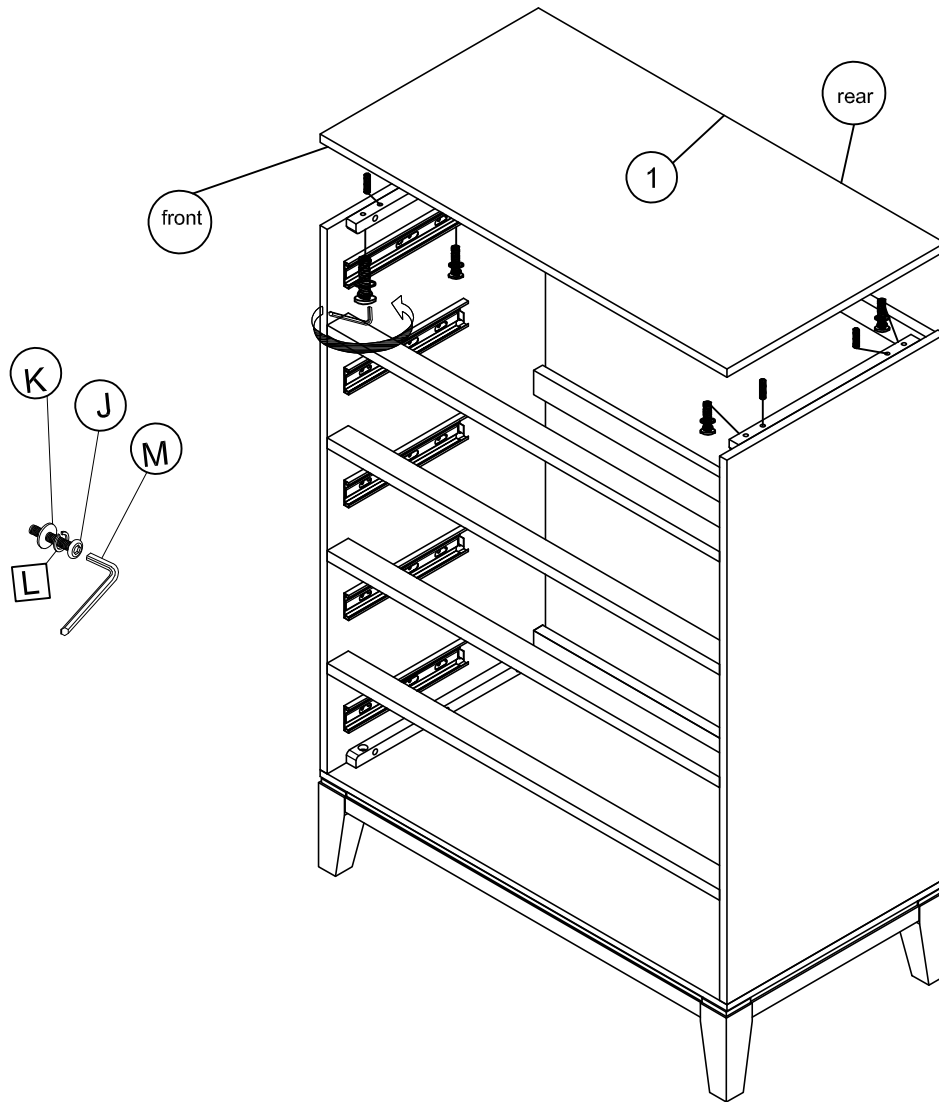
Allen Key



ASSEMBLY INSTRUCTIONS

WF300183AAE

STEP 5



1
x1
Top panel



C
x4
Dowels



J
x4
Bolts



K
x4
Flat Washer



L
x4
Spring Washer

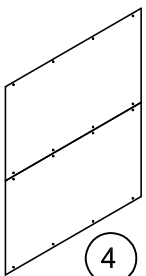
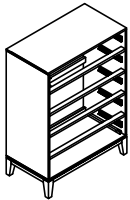
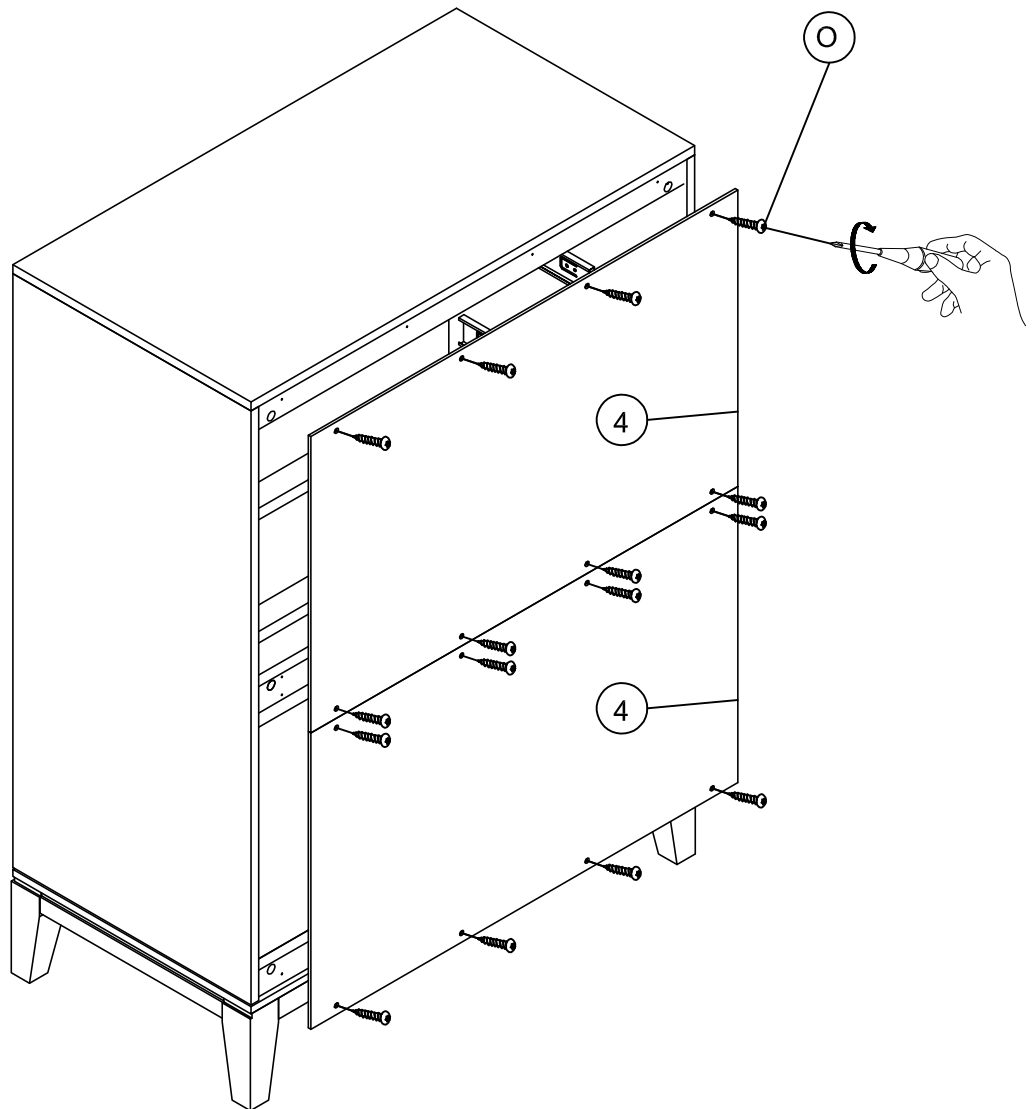


M
x1
Allen Key

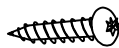
ASSEMBLY INSTRUCTIONS

WF300183AAE

STEP 6



x1
Back panel

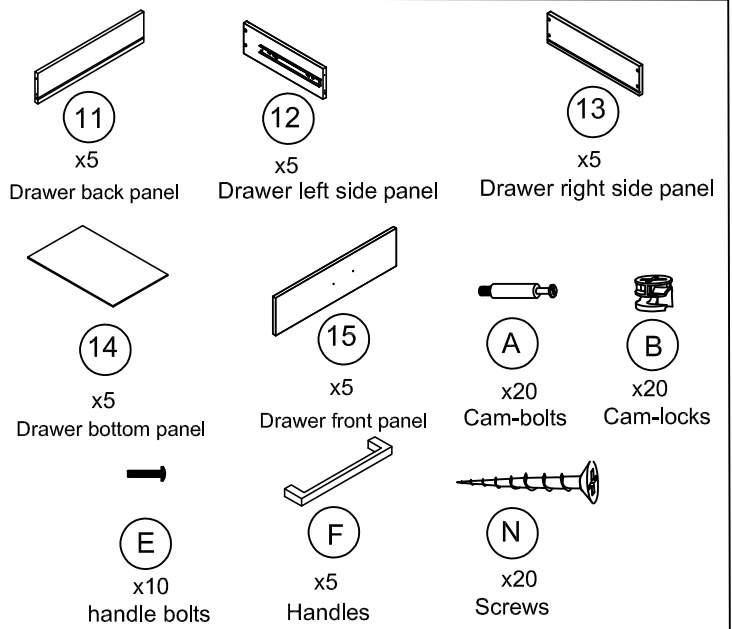
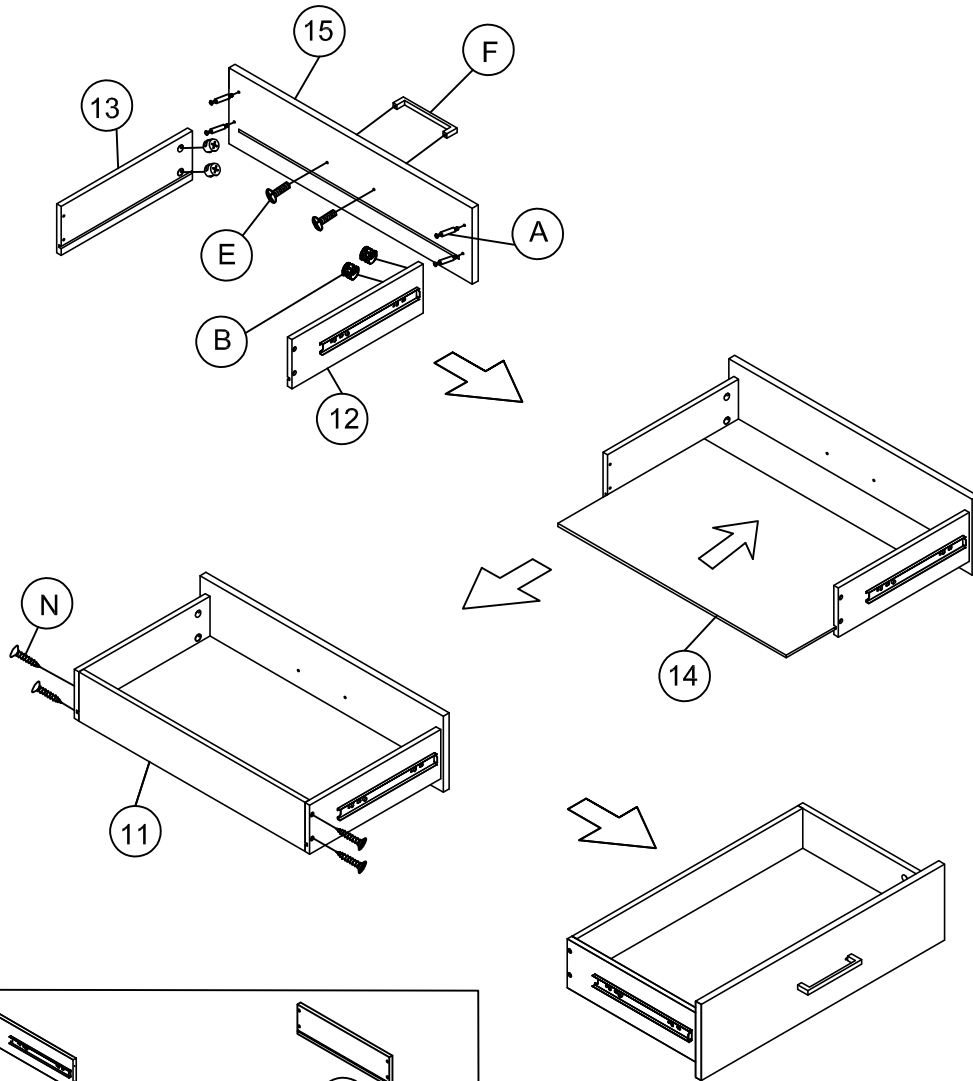


x16
Screws

ASSEMBLY INSTRUCTIONS

WF300183AAE

STEP 7

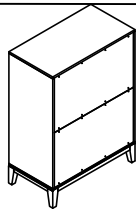
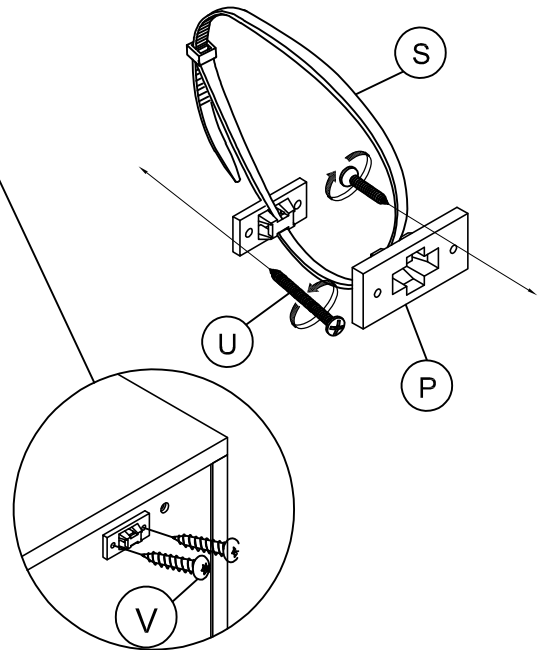
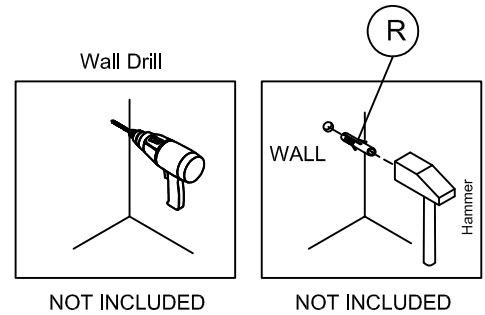
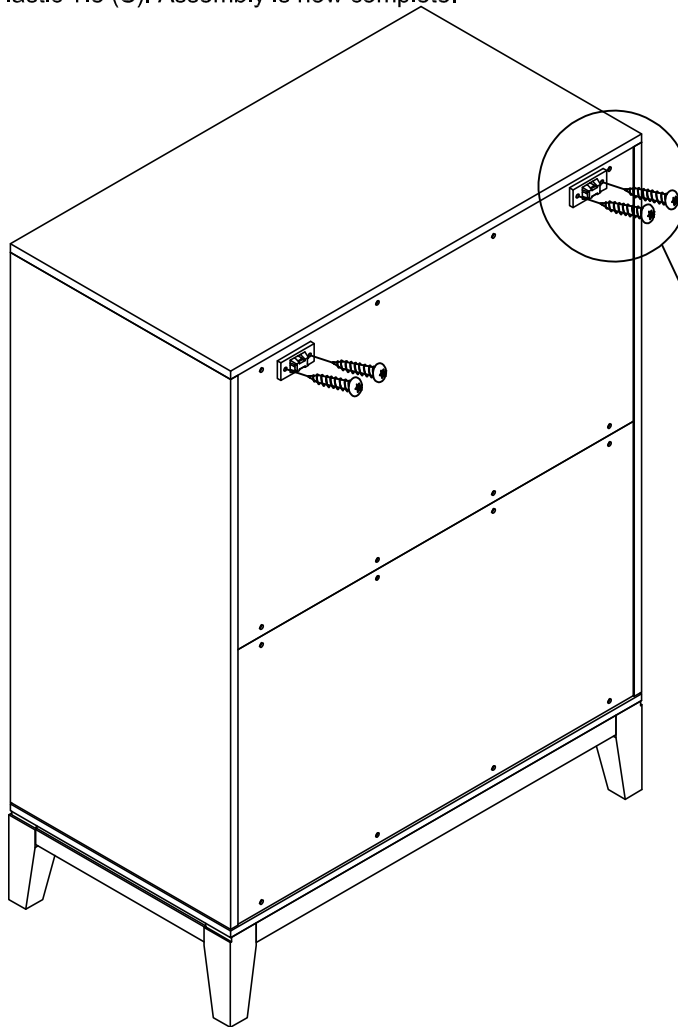


ASSEMBLY INSTRUCTIONS

WF300183AAE

STEP 8

Place the Cabinet in the desired location against the wall. Mark the position of the attached Hooks on the wall and remove the Cabinet. Using one of the remaining Hooks (P) as a template, Place the Hook (P) under the marks on the wall and mark the two hole positions. Drill the holes for the Anchors (R) and insert the Anchors (R) into the wall. Attach the remaining Hooks (P) to the Anchors (P) with Screw (U). Fully tighten the screws. Return the Cabinet to the selected position and connect the Hooks (P) together with Plastic Tie (S). Assembly is now complete.



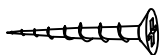
(P)
x4
Hook



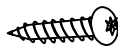
(R)
x4
Anchor



(S)
x2
Plastic tie



(U)
x4
Screws



(V)
x4
Screws

