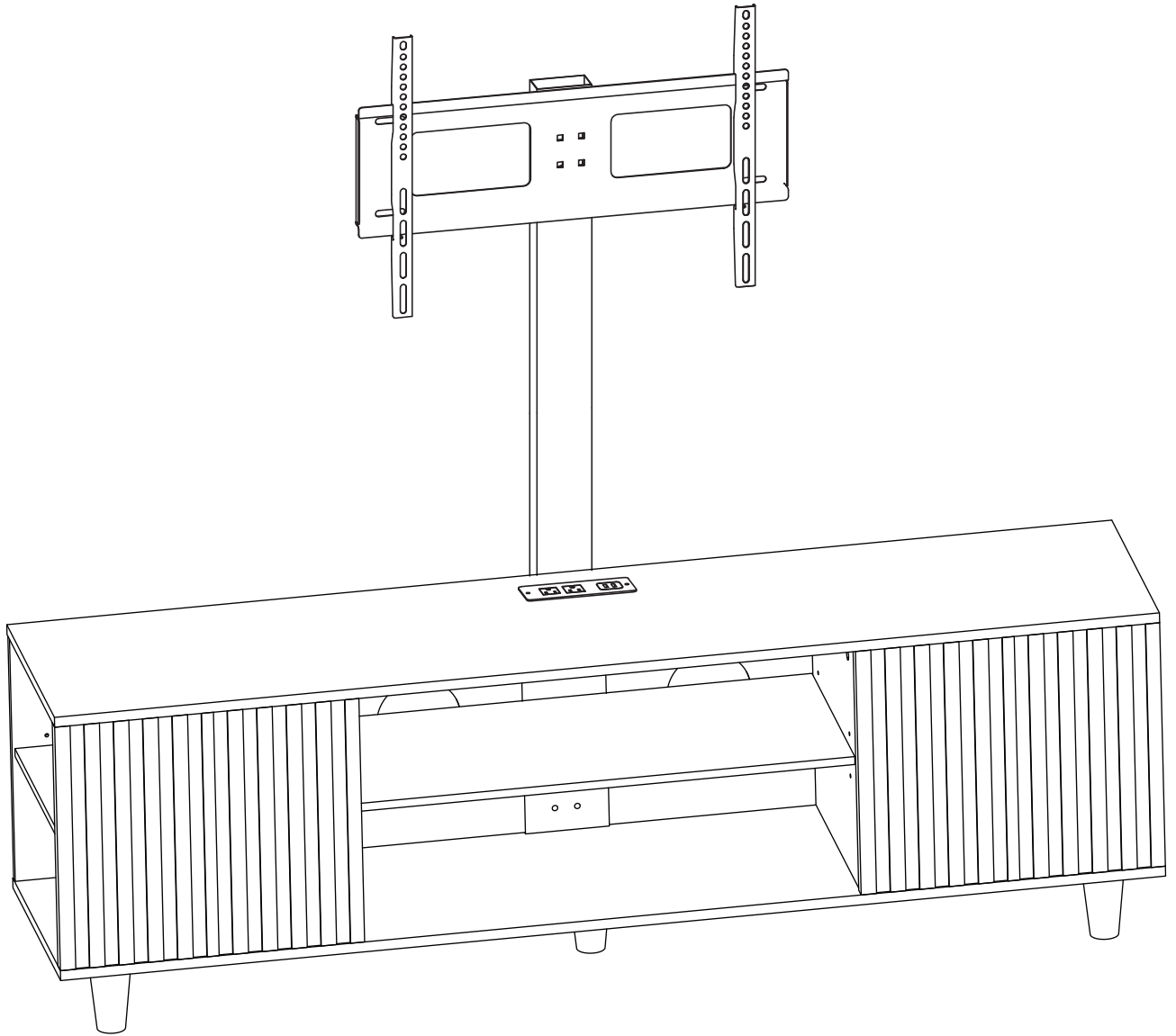
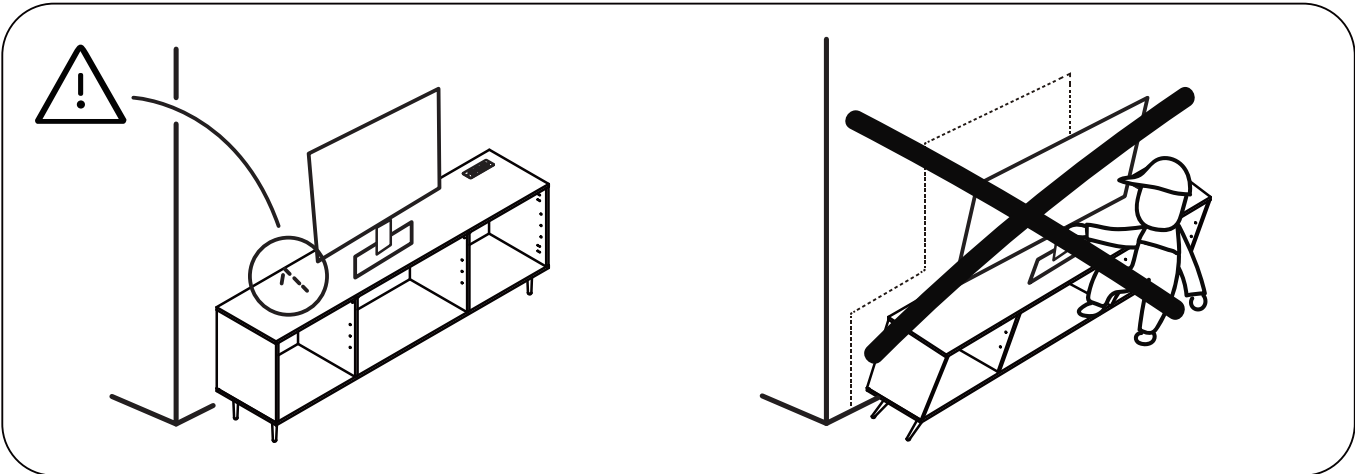
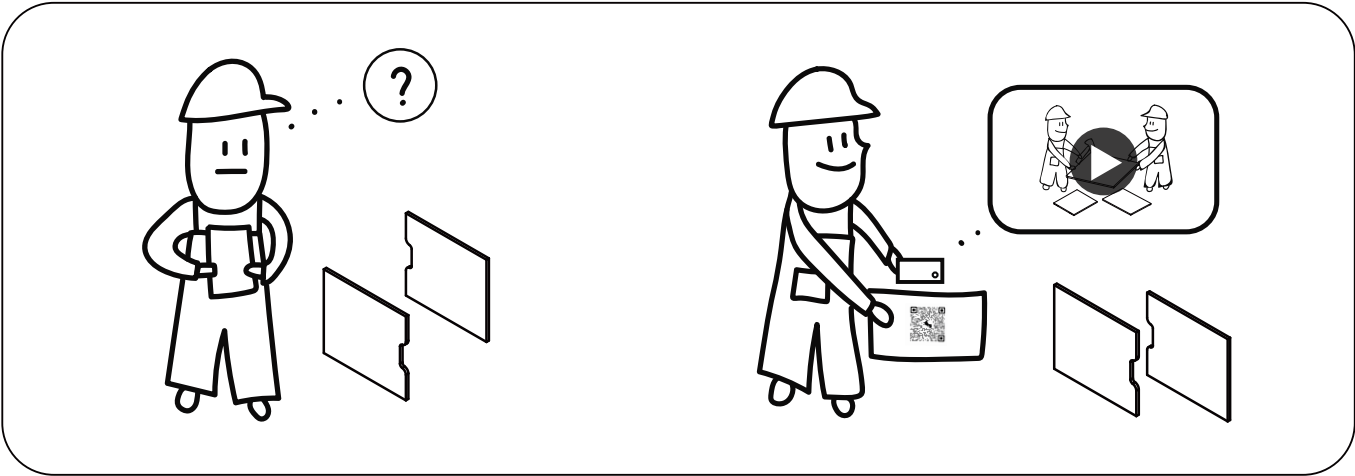
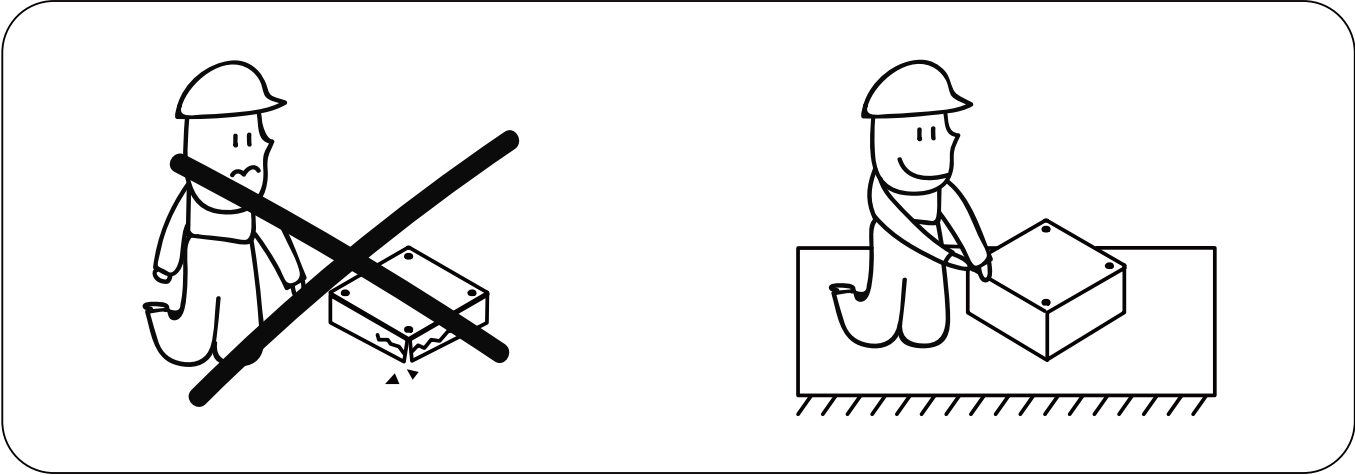
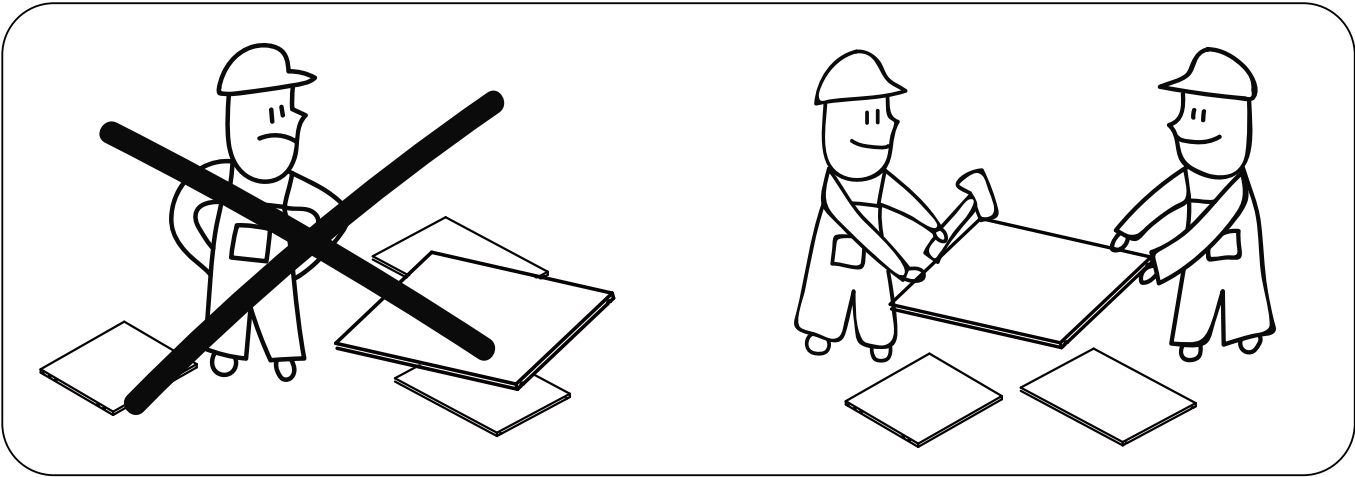


# TV STAND

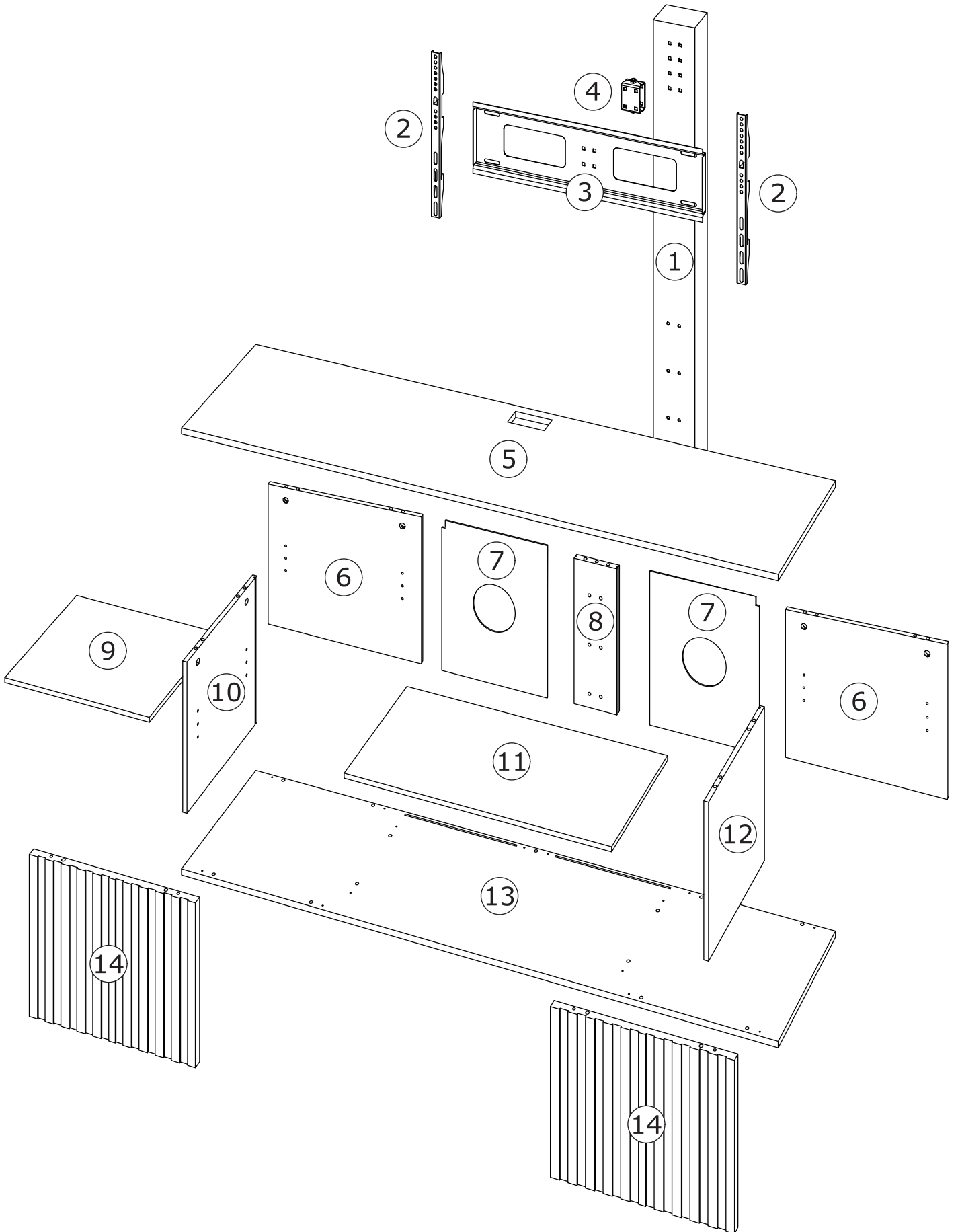




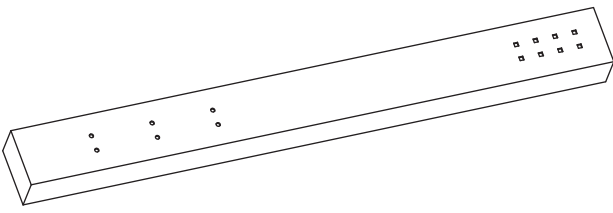
1. Serious or fatal crushing injuries can occur as a result of furniture tip-over.
2. The installation process must strictly adhere to these instructions, as incorrect installation may create safety hazards.
3. To prevent tip-over incidents, it is essential to use the provided wall attachment device(s).
4. While the use of the wall attachment can reduce the risk of tip-over, it cannot completely eliminate it.
5. Regularly inspect and ensure that the anchor is securely maintained.
6. It is crucial not to allow children to climb or hang on drawers.
7. Although your product includes a wall attachment, please note that screws and plugs for securing it to the wall need to be purchased separately according to your specific wall type.
8. Your local hardware store will have suitable drill bits and fixings available and can provide guidance if needed.
9. Before drilling holes, always check for any wires or pipes inside the wall (if uncertain, consult a qualified technician).
10. If you are unsure about any aspect, consider hiring a qualified technician for proper installation and securement of the product.



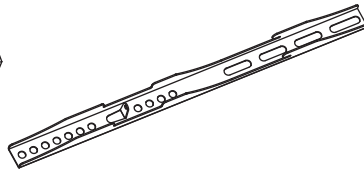
# BOARD IDENTIFICATION



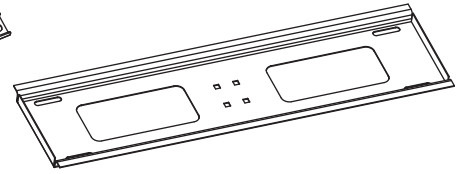
# PARTS LIST



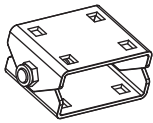
1



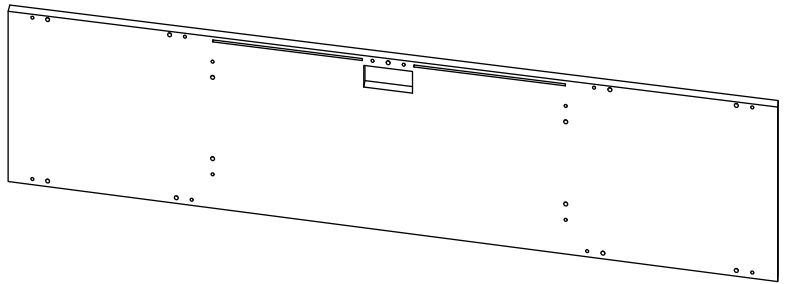
2



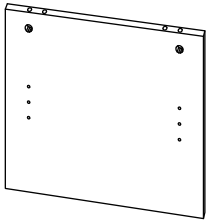
3



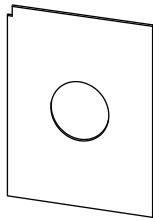
4



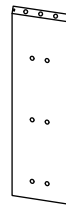
5



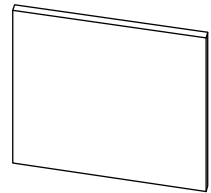
6 x2



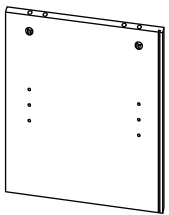
7 x2



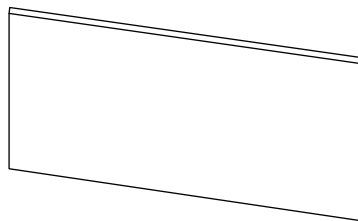
8



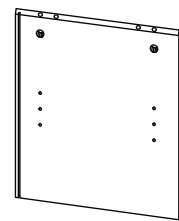
9



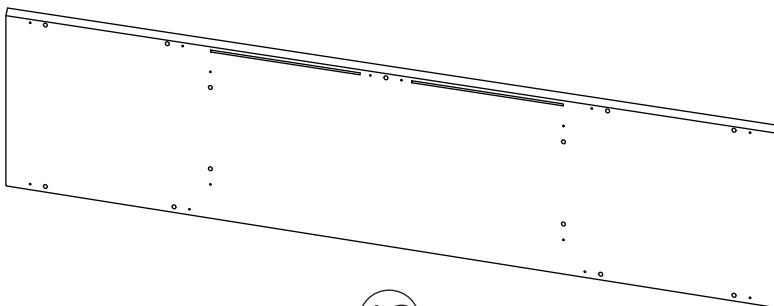
10



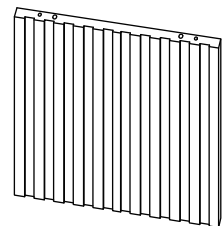
11



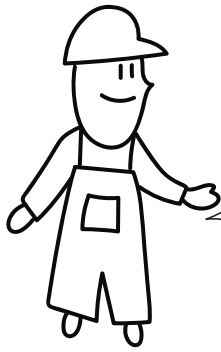
12



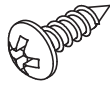
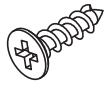
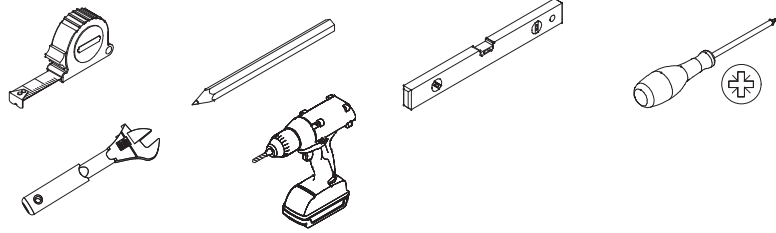
13



14 x2



Please prepare the following tools

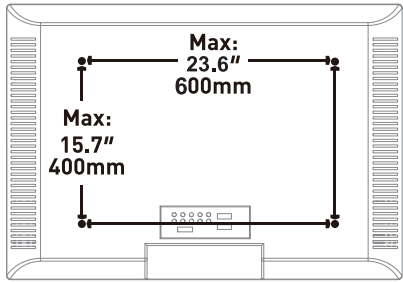

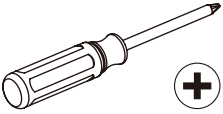


When installing, please carefully confirm whether each screw corresponds to the manual, accessories with similar shapes can be distinguished by size

THE SPARE BAG INCLUDED EXTRA HARDWARE FOR DAMAGED OR MISSING SMALL HARDWARE WHILE YOU ARE ASSEMBLING

<p>A x 14</p>	<p>B x 14</p>	<p>C x 26</p>	<p>D x 14</p>
<p>E x 8</p> <p>E-1    E-2</p>	<p>F x 8</p>	<p>G x 2</p> <p>G-1    G-2 G-3    G-4</p>	<p>H x 2</p> <p>Ø 3.5 x 15 mm</p>
<p>I x 5</p>	<p>J x 14</p>	<p>K x 1</p>	

# BEFORE GETTING STARTED, LET'S MAKE SURE THIS STAND IS COMPATIBLE.

<p><b>1</b></p> <p>Check VESA Pattern Compatibility</p>	 <p><b>Measurement Conversion</b>          100mm = 3.9"    300mm = 11.8"          200mm = 7.9"    400mm = 15.7"          600mm = 23.6"</p> <p><b>Minimum:</b>          100 x 100mm (3.9 x 3.9")</p> <p><b>Maximum:</b>          600 x 400mm (23.6x 15.7")</p> <p>If this stand is not compatible, please contact our Technical Support line as listed above or Customer Service at <a href="mailto:HELLO@ATASKY.COM">HELLO@ATASKY.COM</a>.</p>
<p><b>2</b></p> <p>Check Max Load</p>	 <p><b>88 lbs (40kg)</b></p> <p><b>If your TV weighs more, this stand is NOT compatible.</b></p> <p><b>⚠ WARNING</b>          DO NOT exceed the Max load indicated. Use with products heavier than the Max load may result in failure of the mount, which could cause damage or injury.</p>
<p><b>3</b></p> <p>Tools Needed (NOT Included)</p>	 <p>Phillips Screwdriver</p>
<p><b>4</b></p> <p>Important Safety Information</p>	<ul style="list-style-type: none"> <li>• Please carefully read all instructions before attempting installation. If you do not understand the instructions or if you have any questions or concerns, please contact our Technical Support line as listed above or Customer Service</li> <li>• Not all hardware included in this package will be used.</li> </ul> <p><b>⚠ CAUTION:</b> Avoid potential injuries and property damage!</p> <ul style="list-style-type: none"> <li>• Do not use this product for any purpose that is NOT explicitly specified in this manual. Do not exceed the Max load. We're not liable for damage or injury caused by incorrect assembly, improper mounting, or inappropriate use.</li> <li>• Before starting assembly, check all parts are included and undamaged. Do not use damaged or defective parts. If you require replacement parts, please contact our Technical Support line as listed above or Customer Service</li> </ul> <p><b>⚠ WARNING:</b> This product contains small parts that may pose a choking hazard.</p> <p><b>SAVE THESE INSTRUCTIONS.</b></p>

# Supplied Parts and Hardware · Pièces et matériel fournis



TV Bolt  
M4 x 12mm

**B1** x 4



TV Bolt  
M4 x 30mm

**B2** x 4



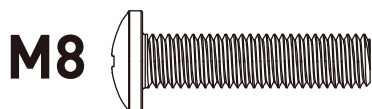
TV Bolt  
M6 x 15mm

**B3** x 4



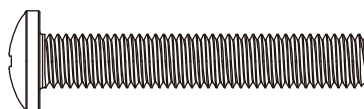
TV Bolt  
M6 x 35mm

**B4** x 4



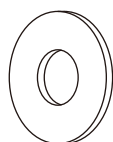
TV Bolt  
M8 x 25mm

**B5** x 4



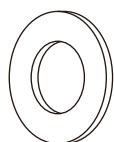
TV Bolt  
M8 x 50mm

**B6** x 4



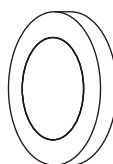
Washer · Rondelle  
M4/M5

**B7** x 4



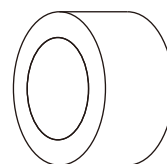
Washer · Rondelle  
M6/M8

**B8** x 4



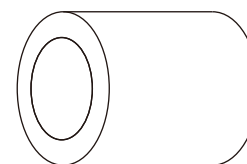
Spacer · Entretoise  
L2.5mm

**B9** x 8



Spacer · Entretoise  
L10mm

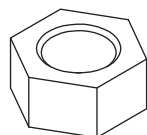
**B10** x 4



Spacer · Entretoise  
L22mm

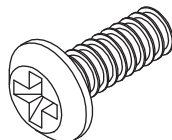
**B11** x 4

**MA x 8+2**



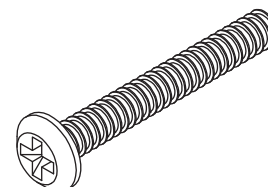
M8 mm

**MB x 4+1**



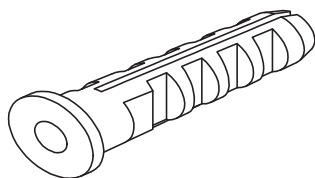
M8 x 12 mm

**MC x 4+1**



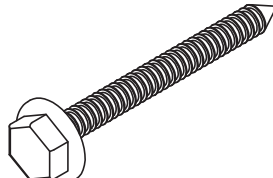
M8 x 50 mm

**MD x 4+1**



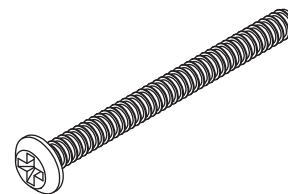
M10 x 50 mm

**ME x 4+1**



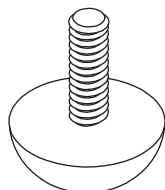
M8 x 50 mm

**MF x 6+1**

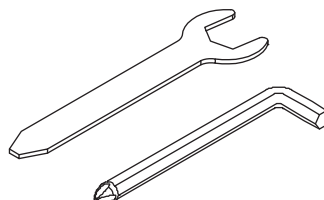


M6 x 55 mm

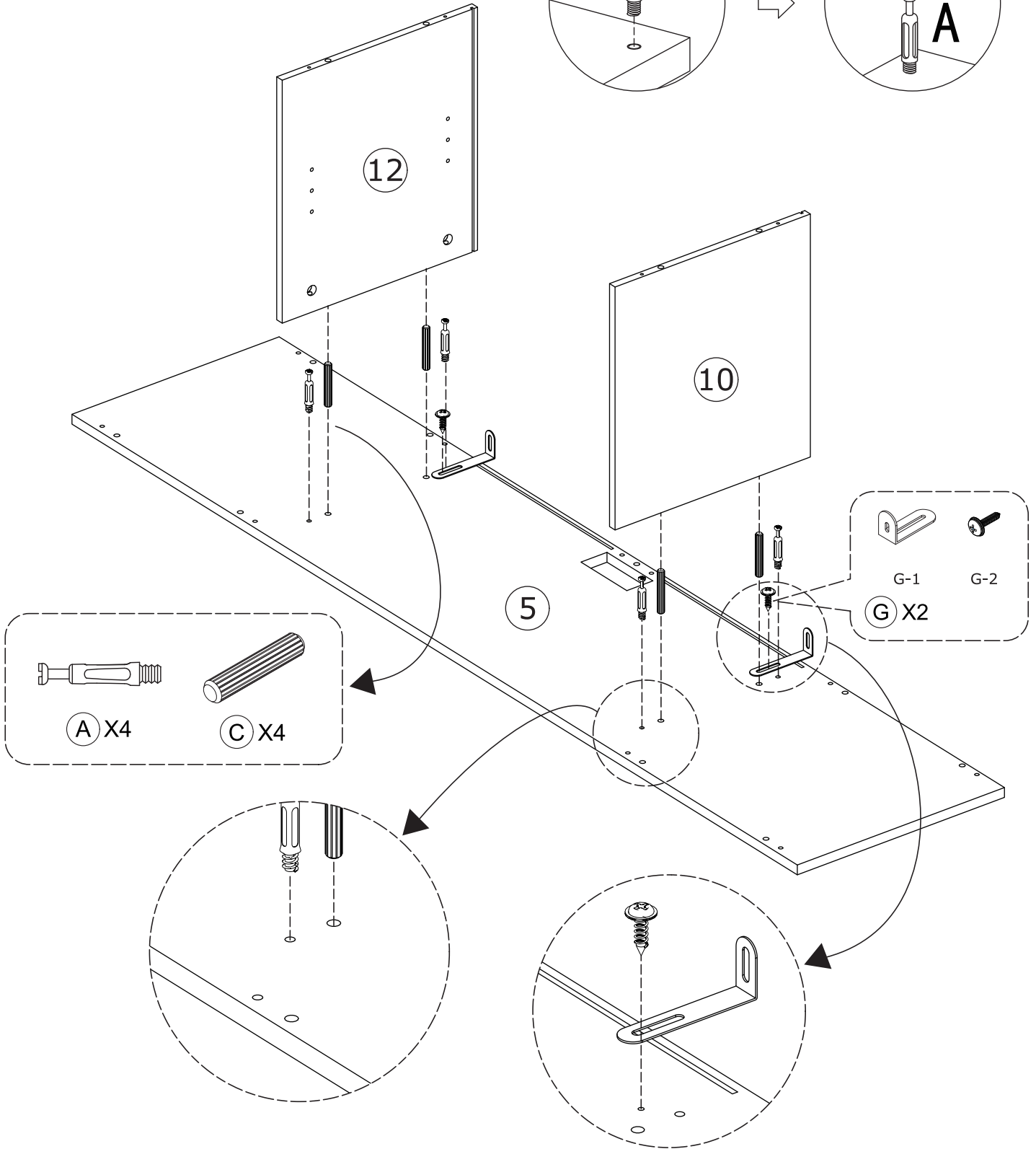
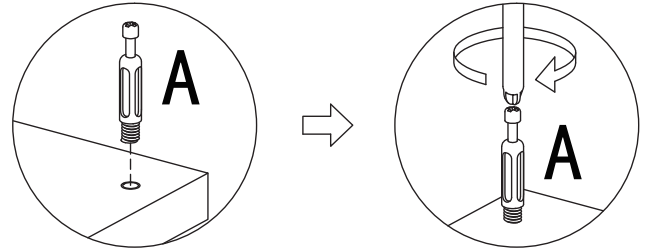
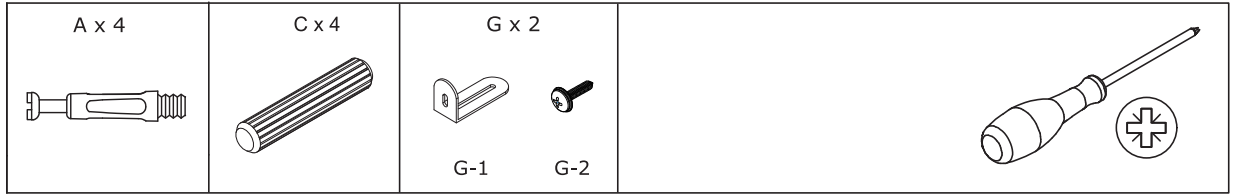
**MH x 2**



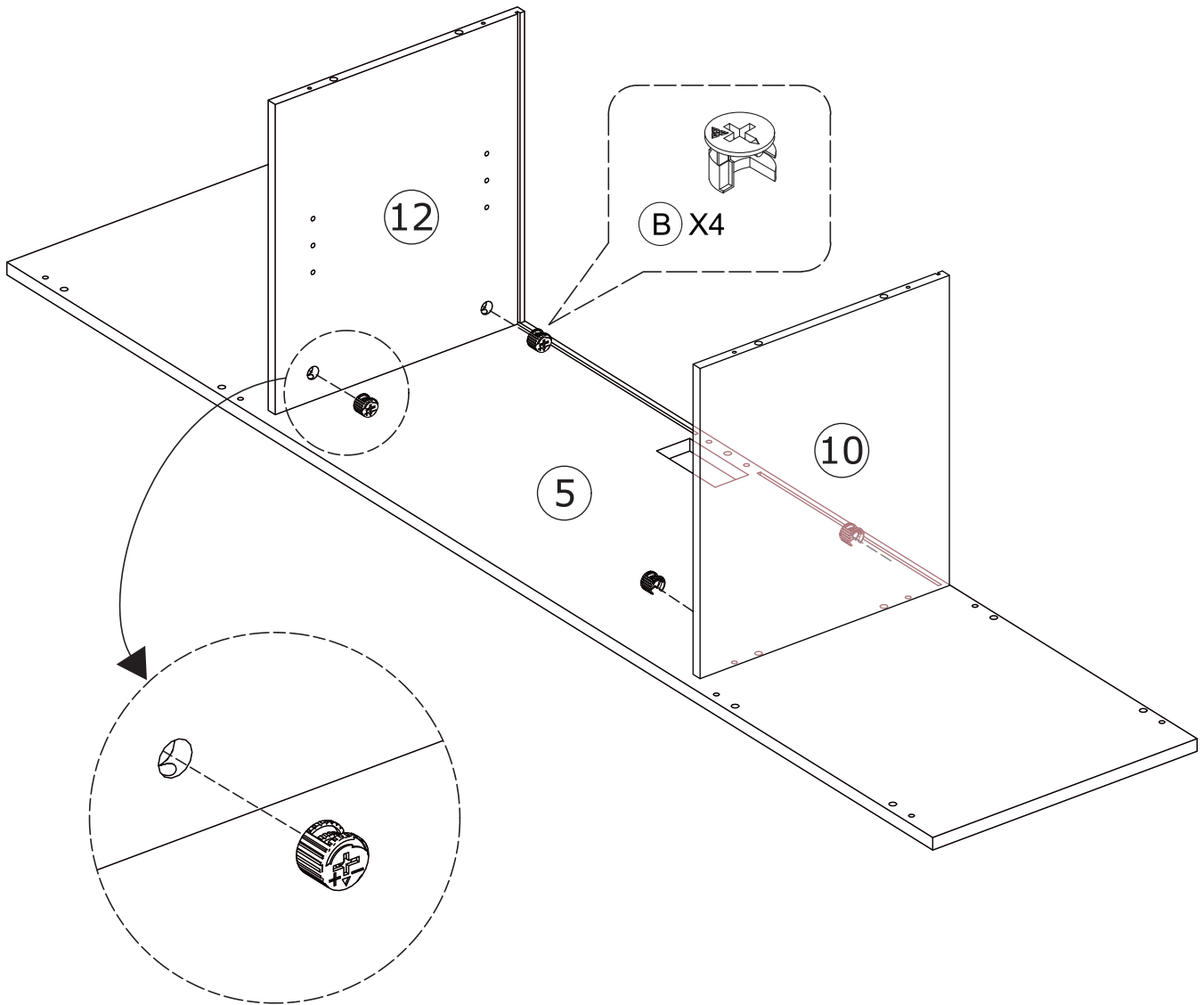
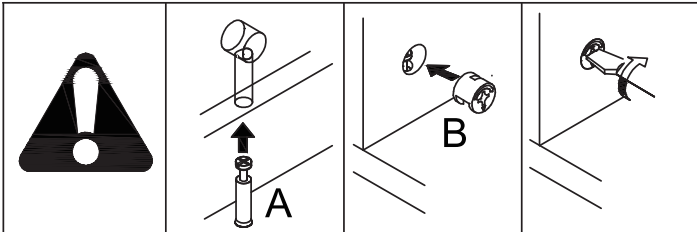
**MG x 1**



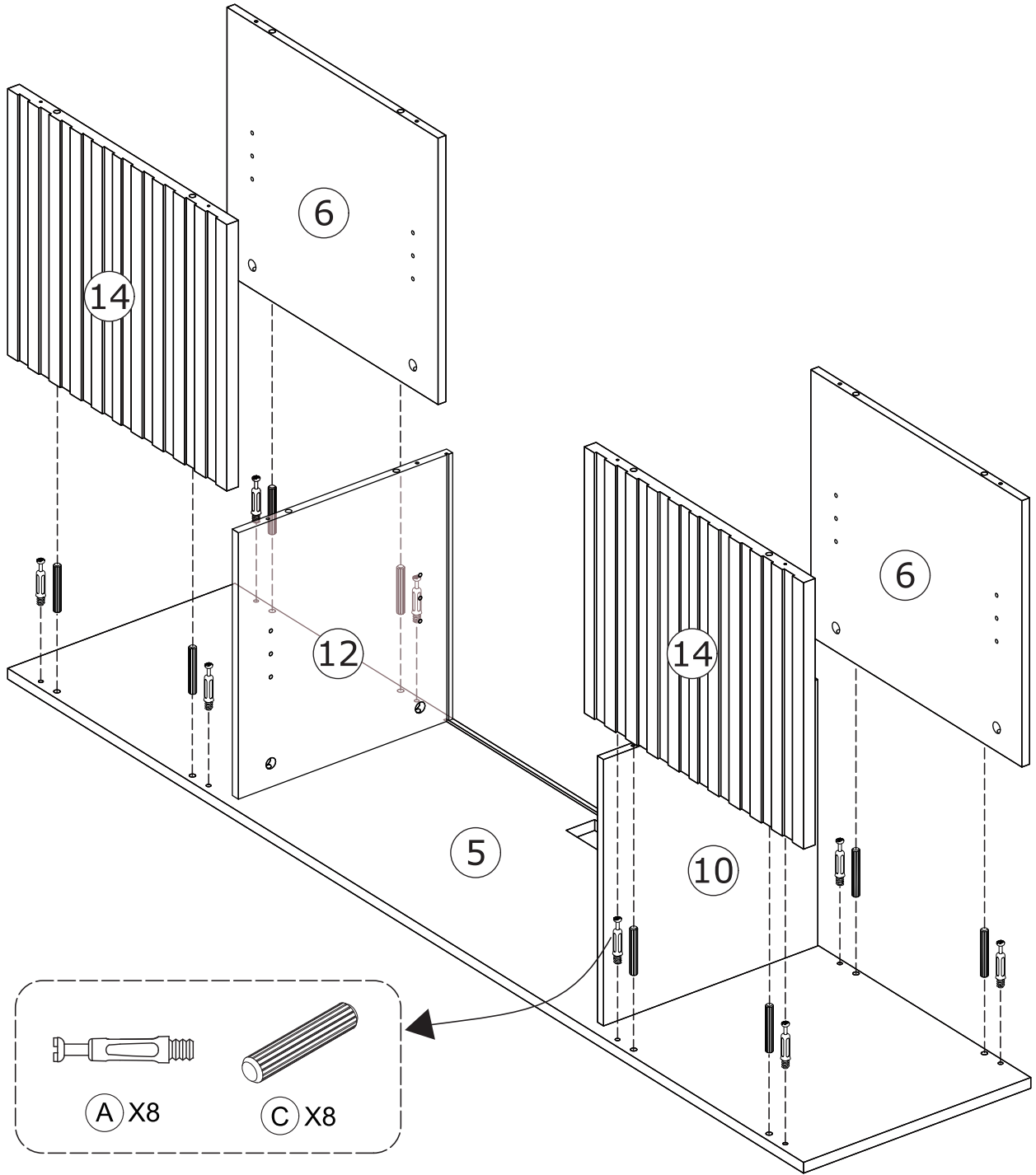
1



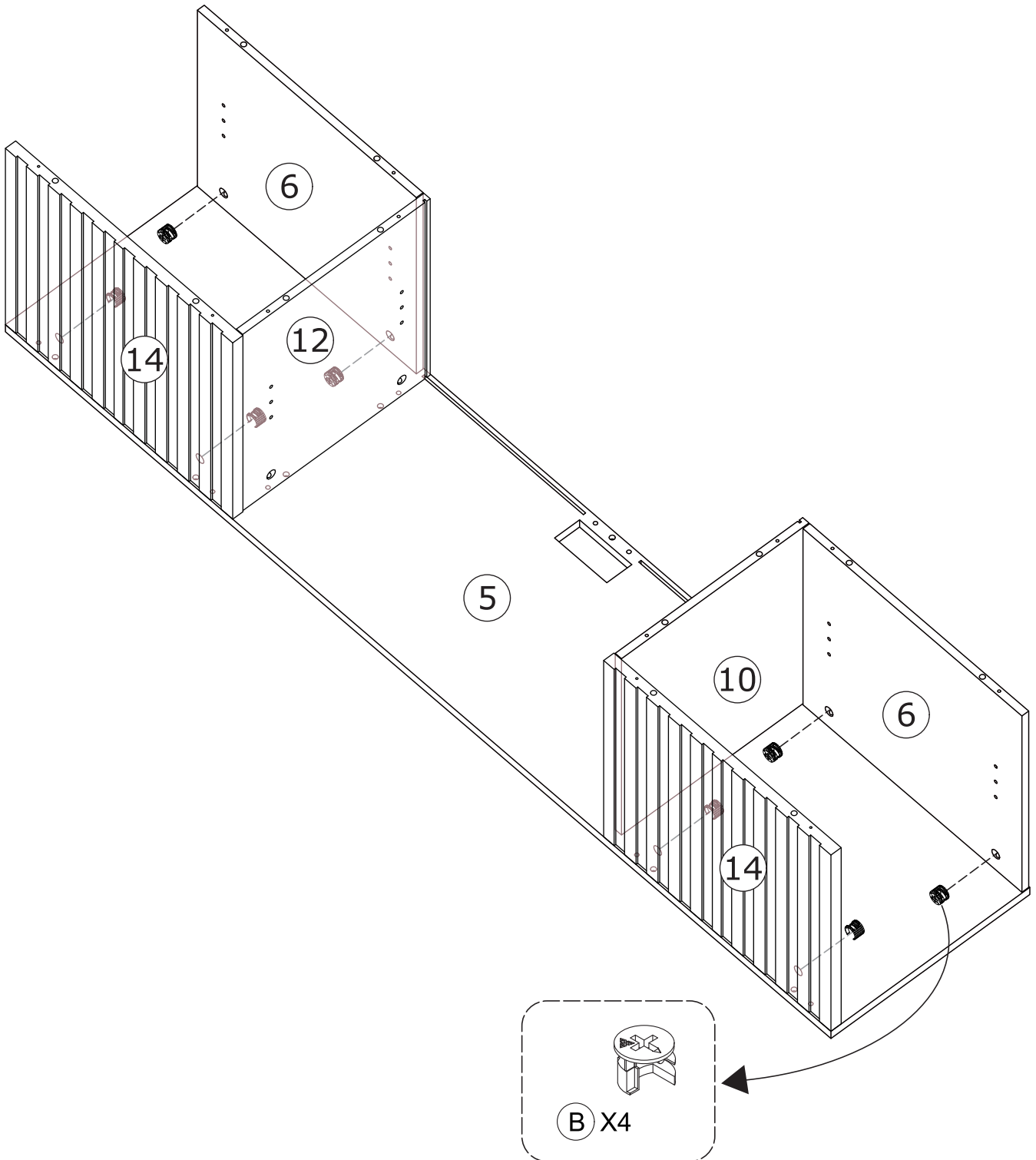
2



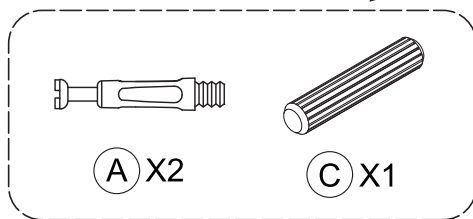
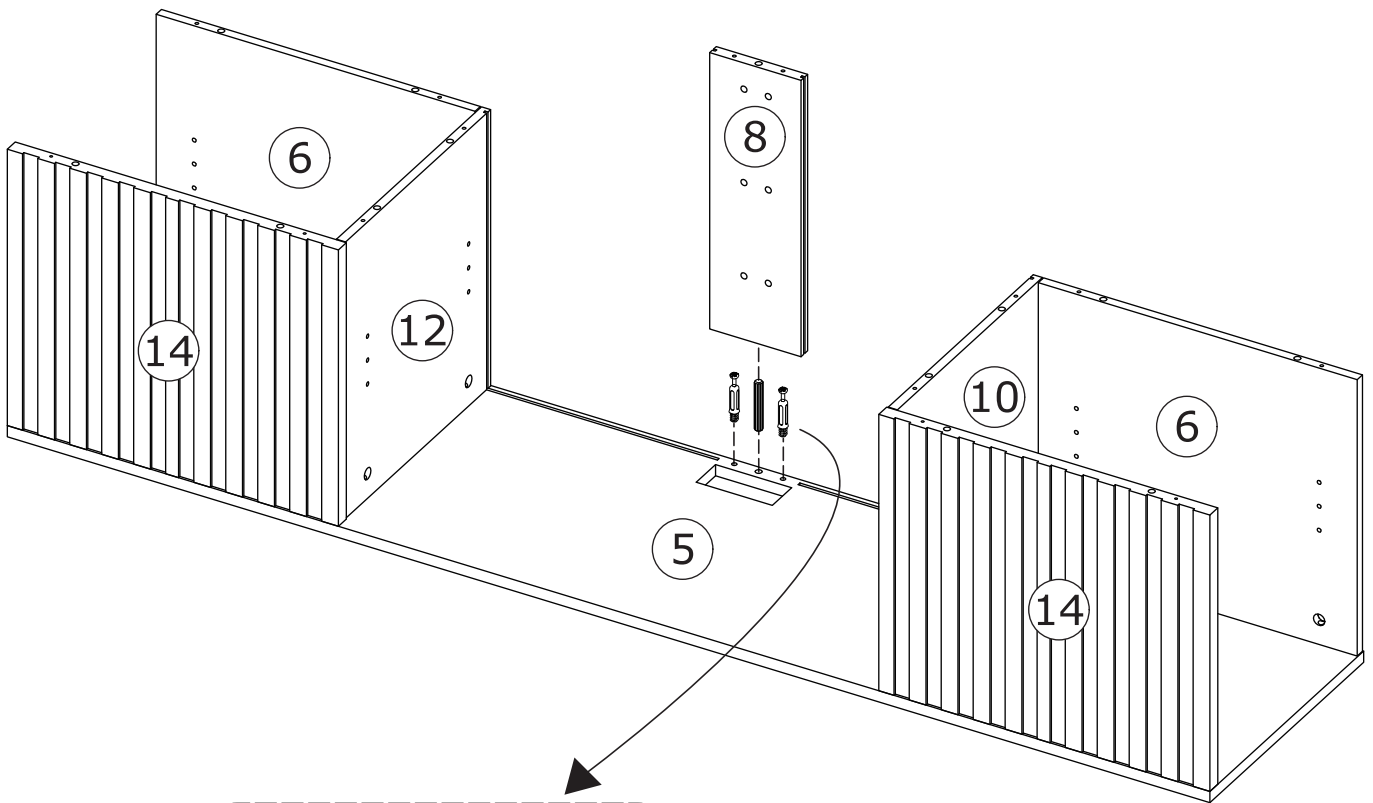
3



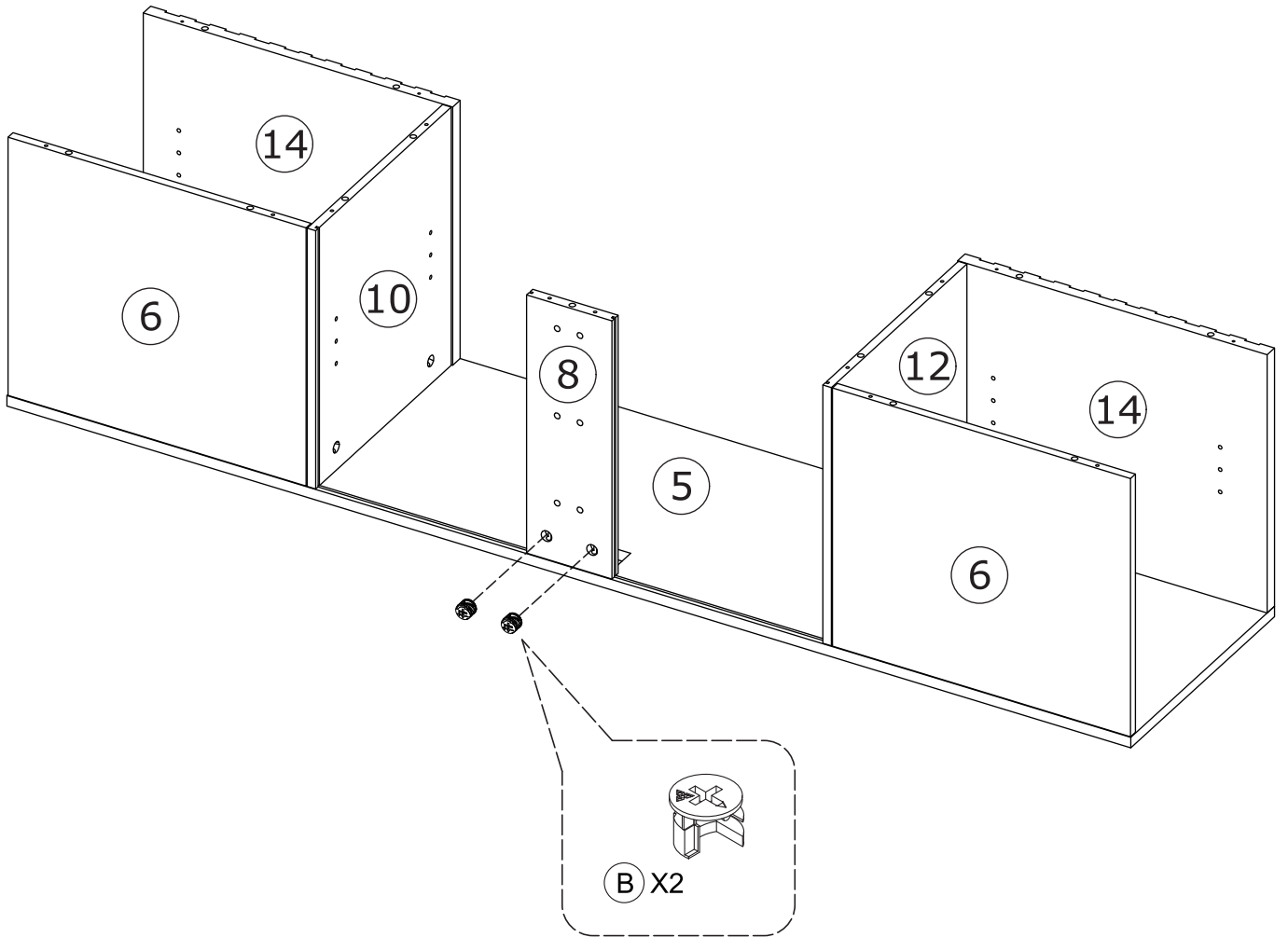
4



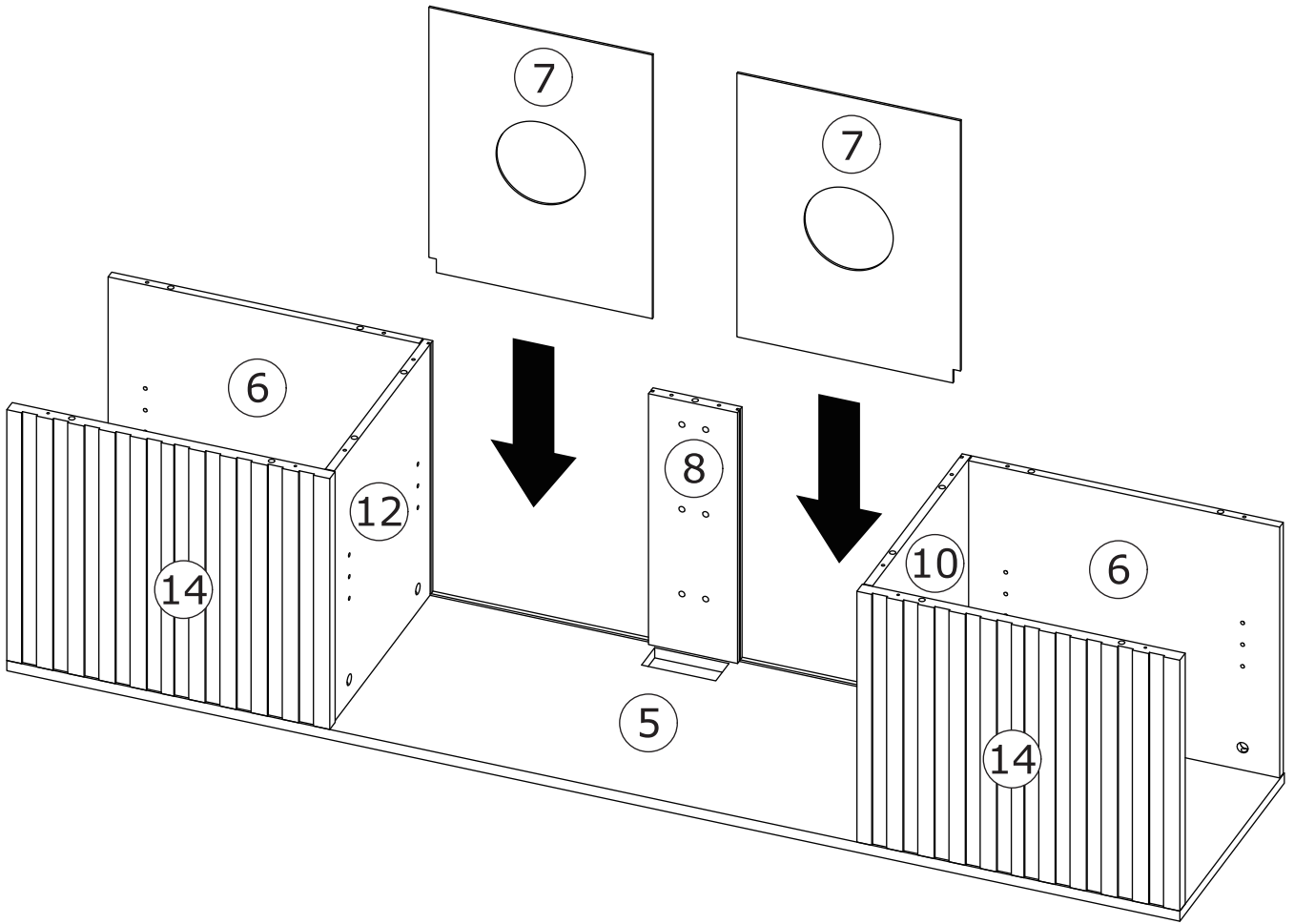
5



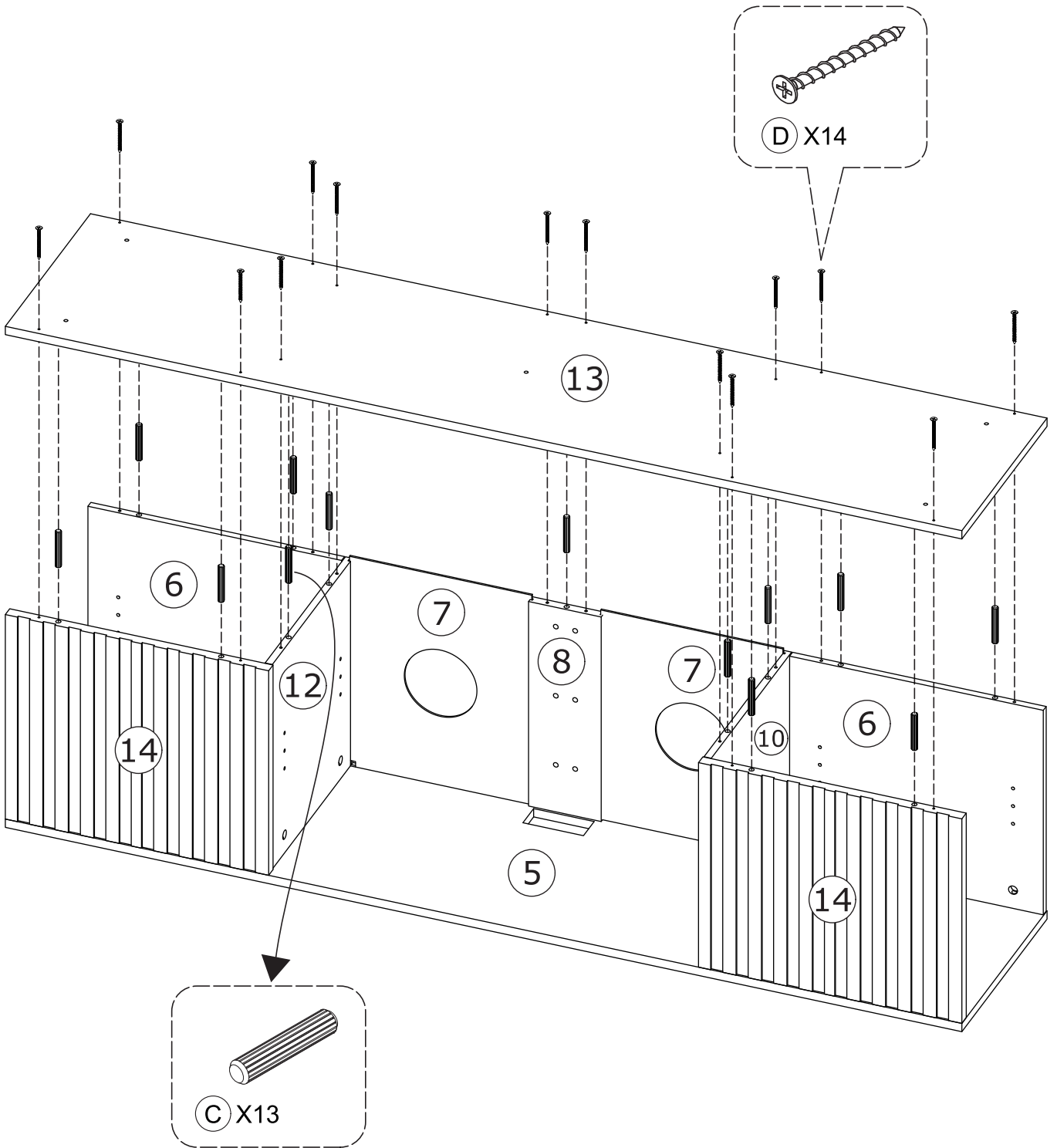
6



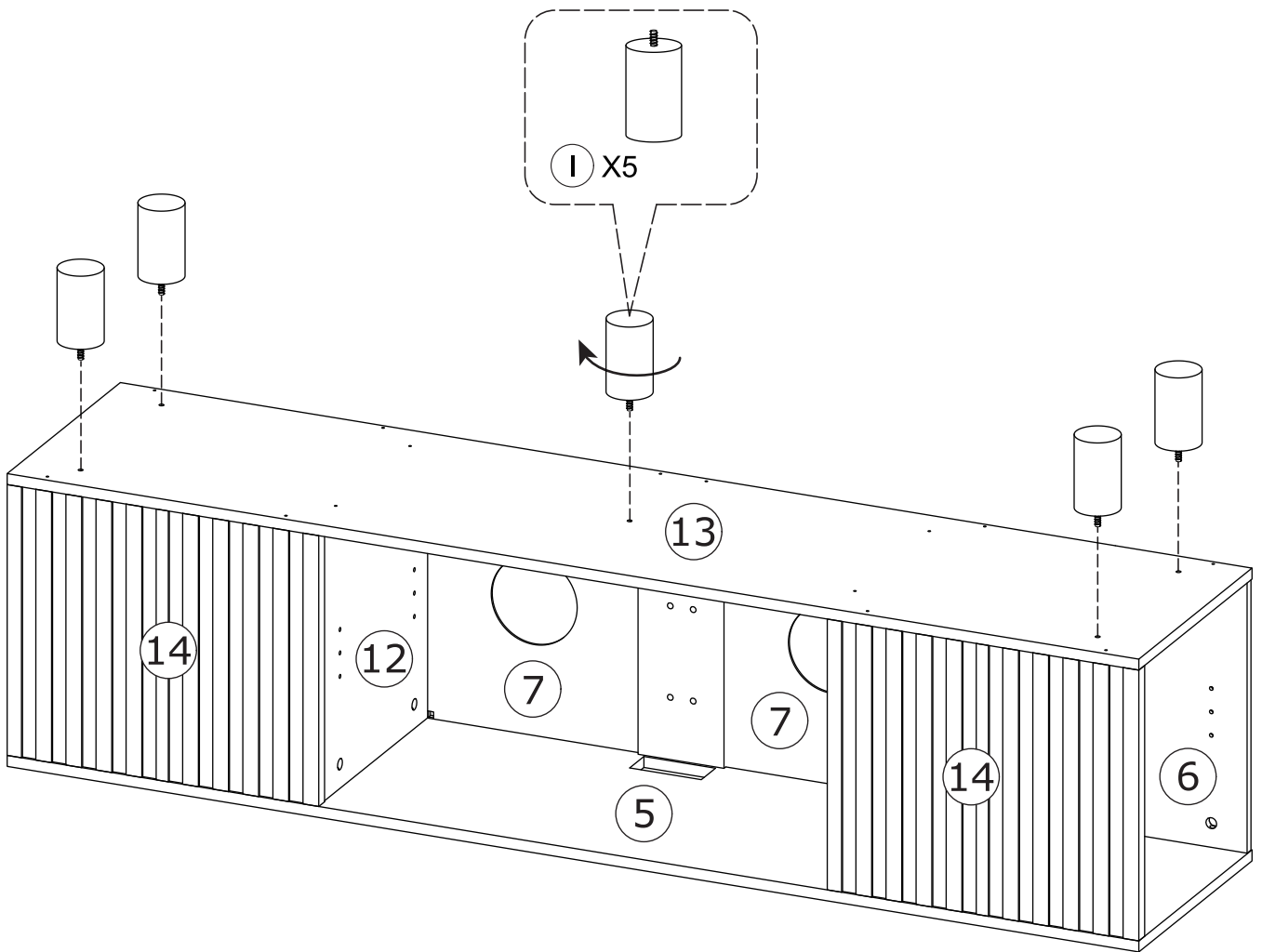
7



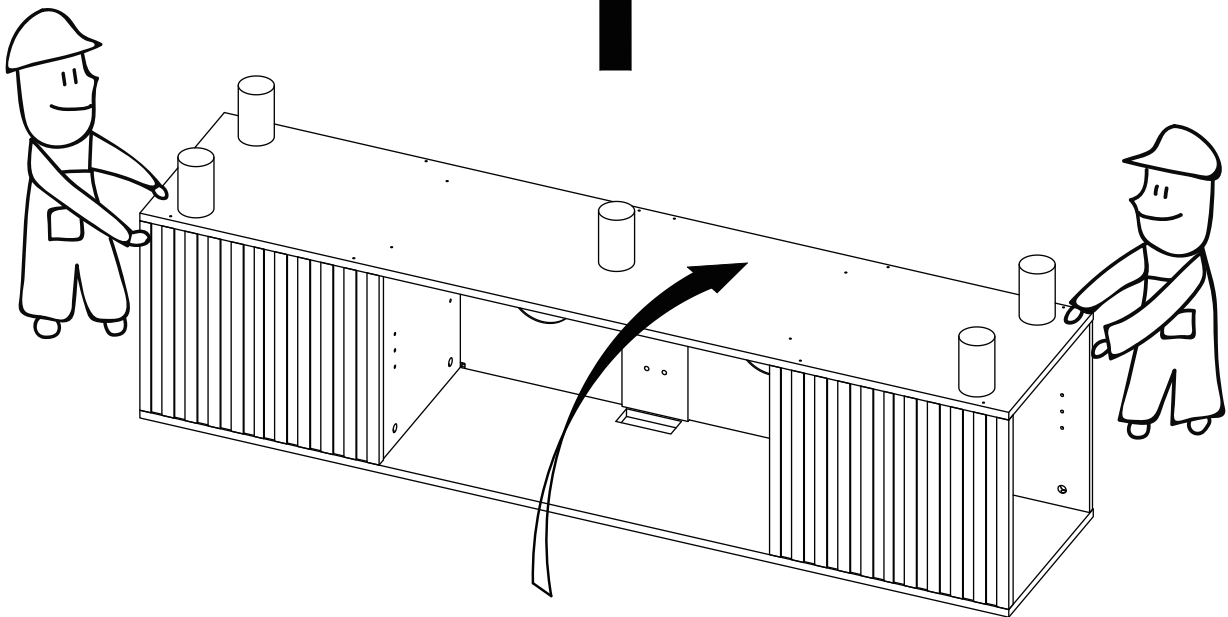
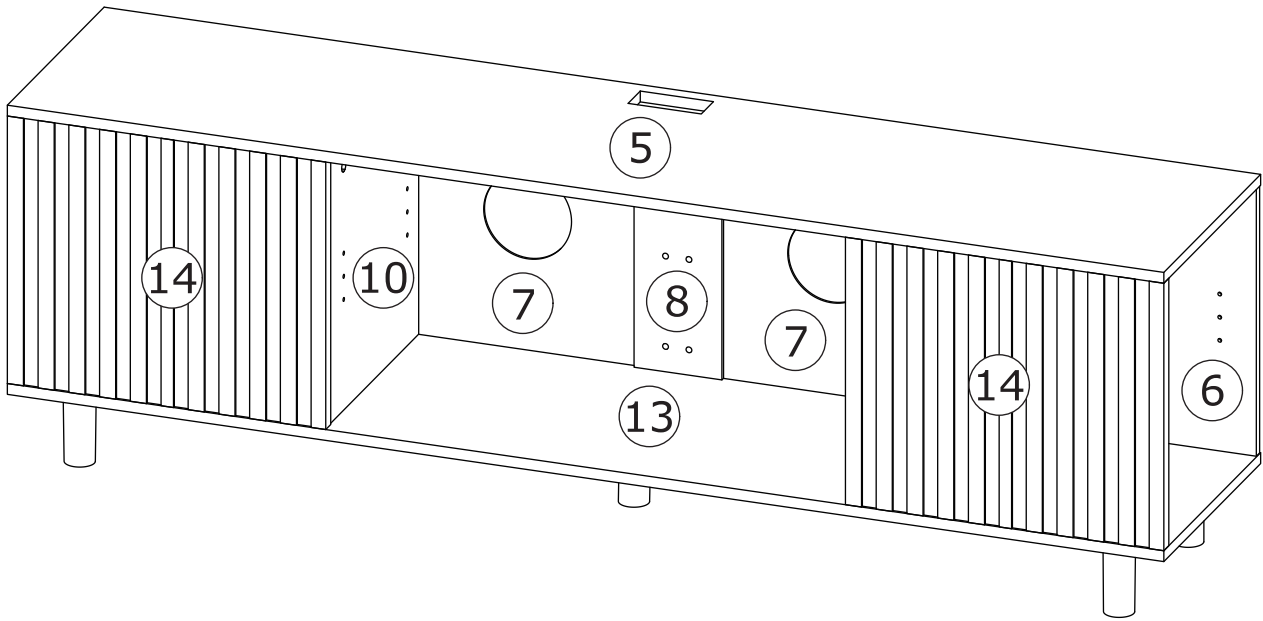
8



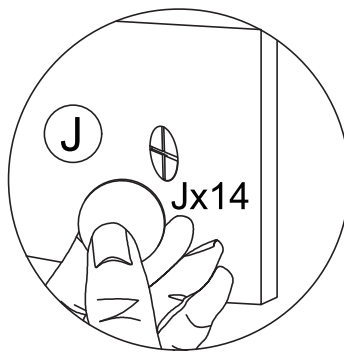
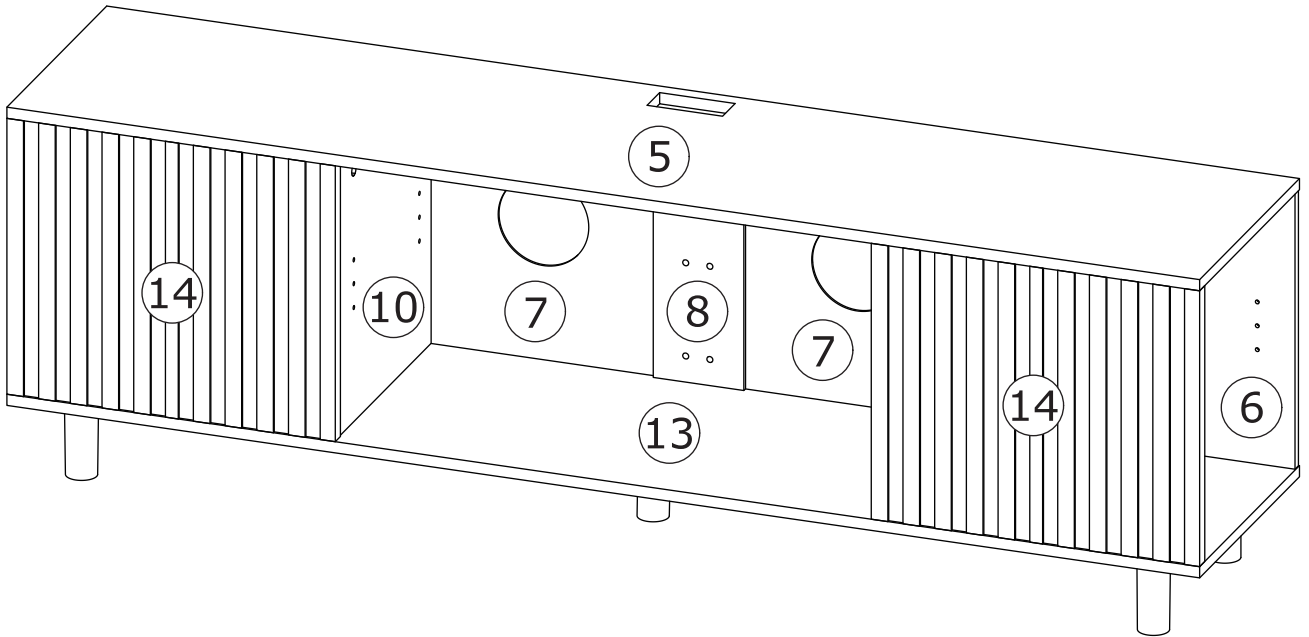
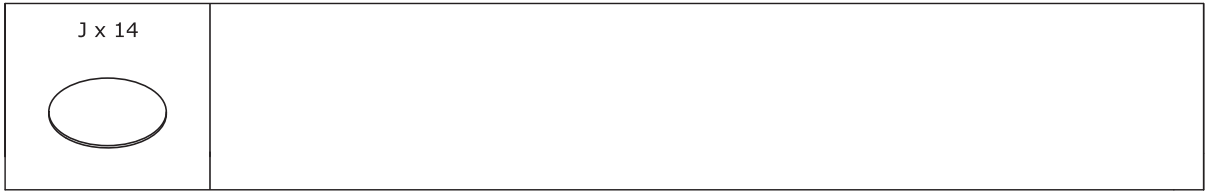
9



10

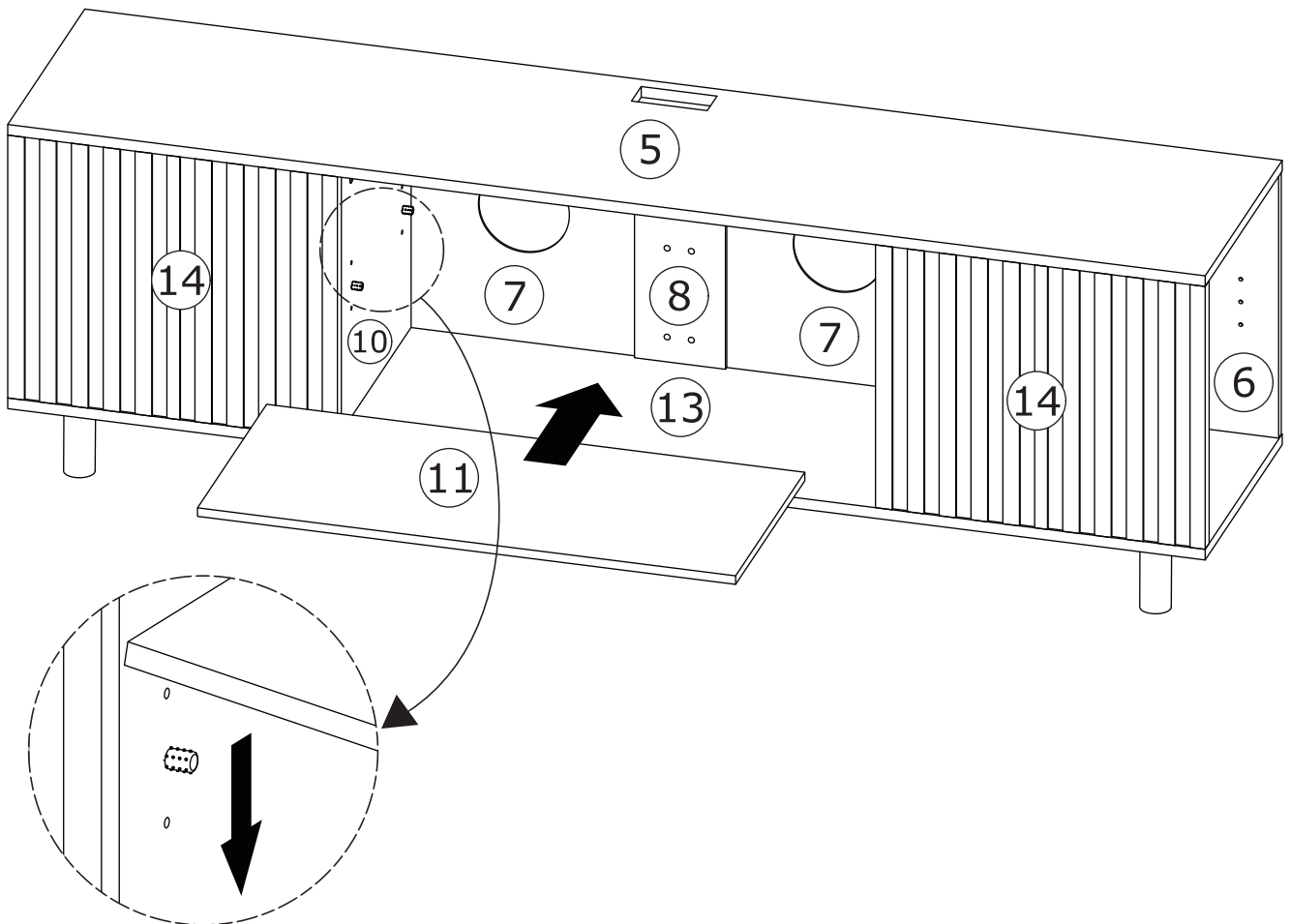
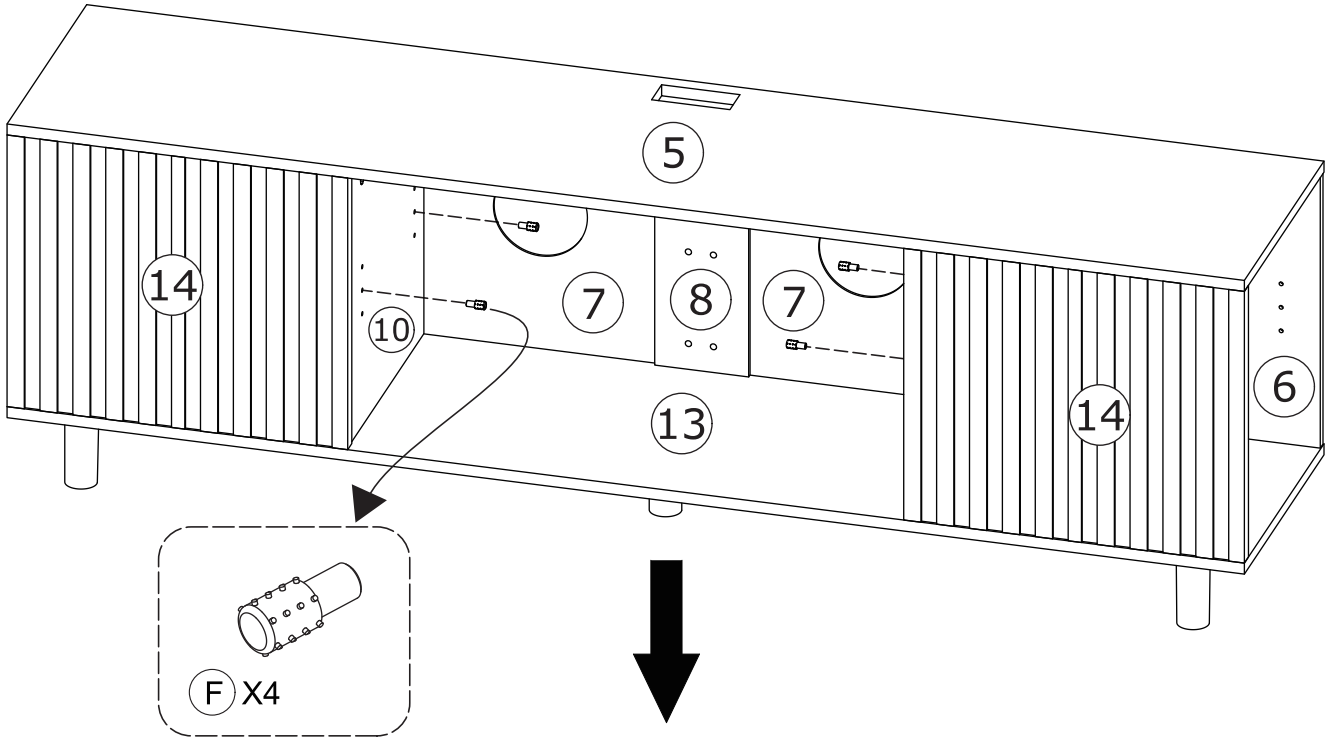


11



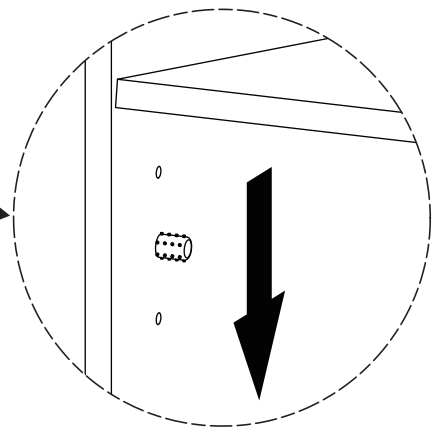
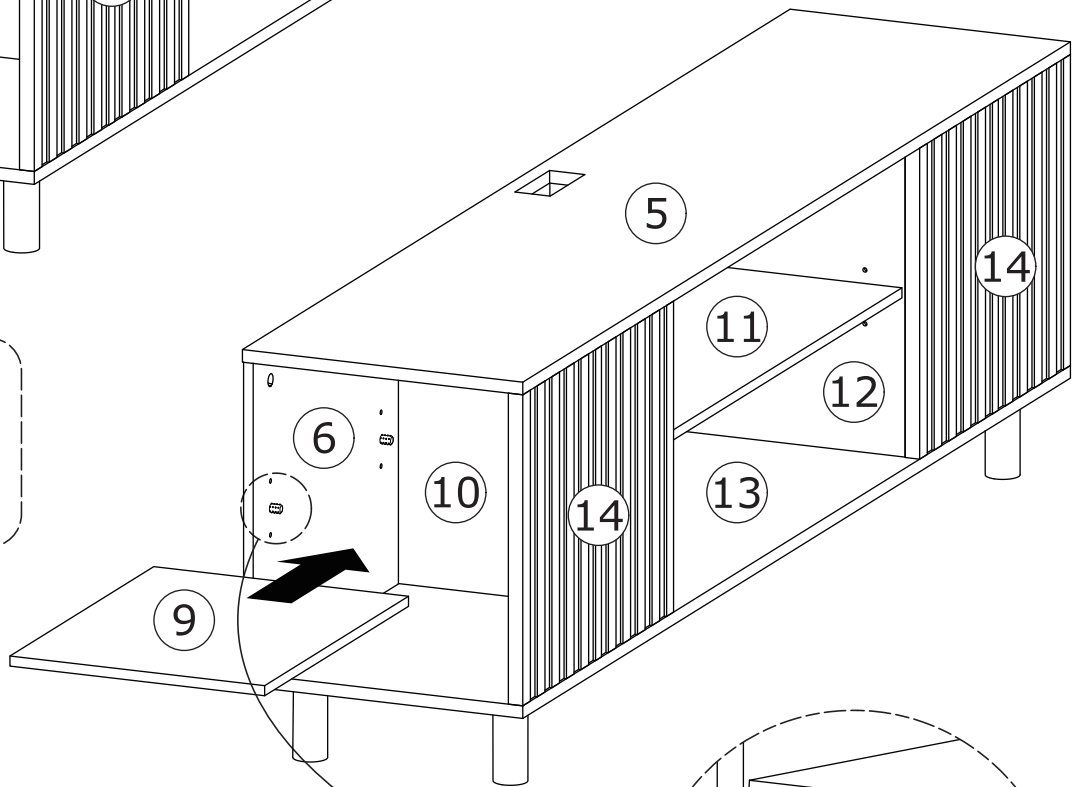
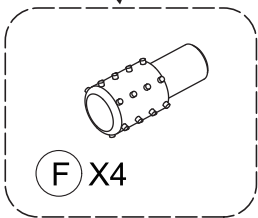
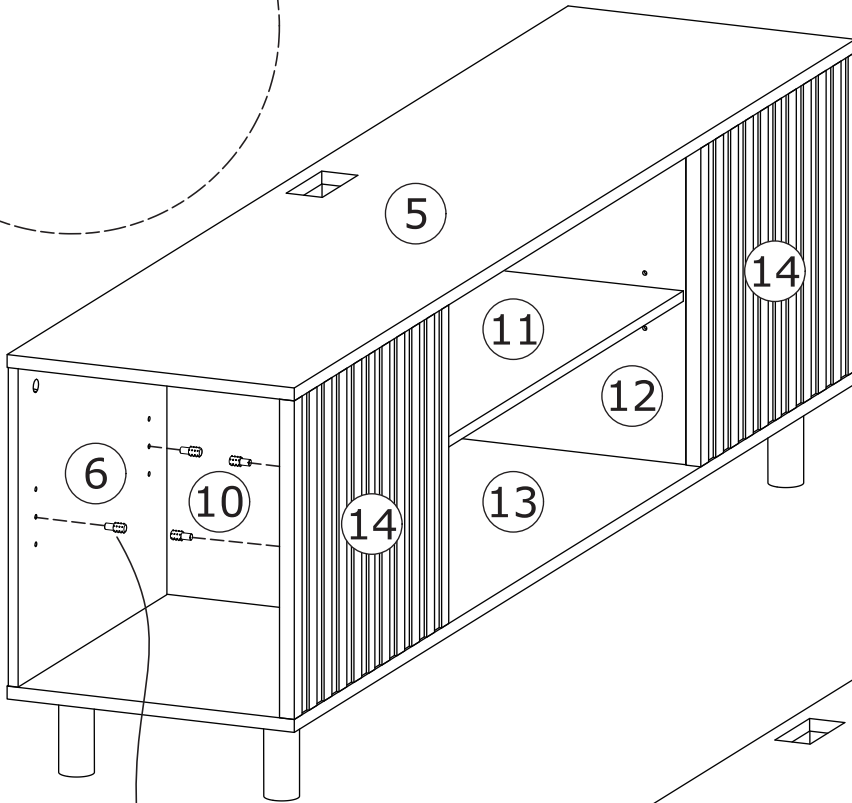
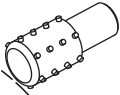
Stick the annular hole on board 6 & 8 & 10 & 12 & 14.

12



13

F x 4

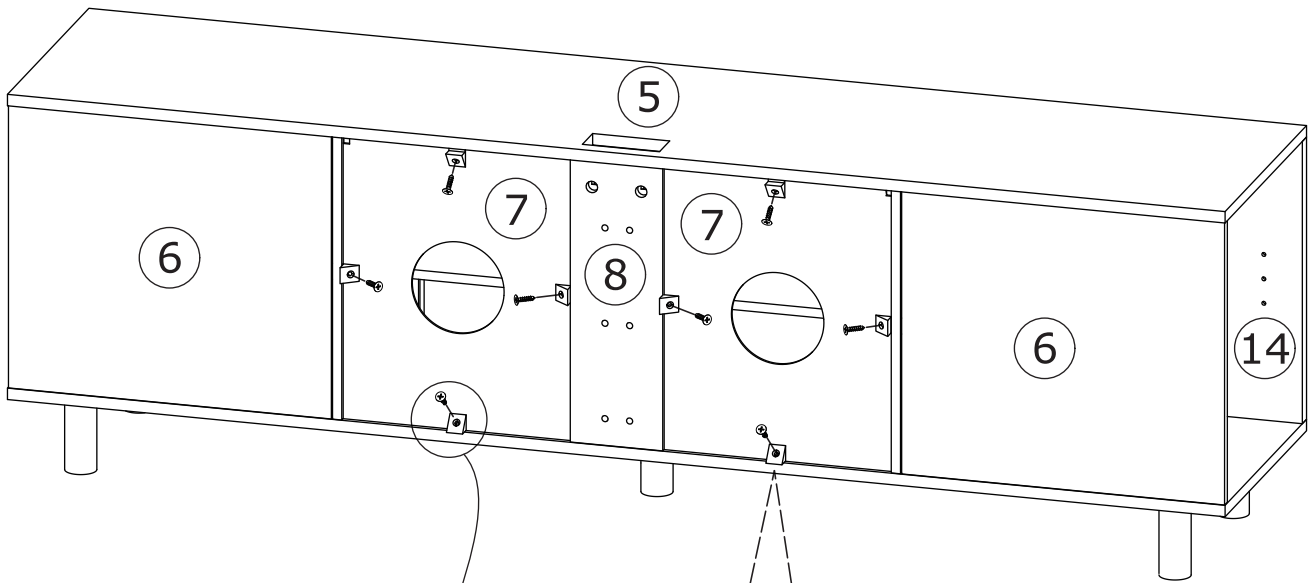


14

E x 8

E-1 E-2

+



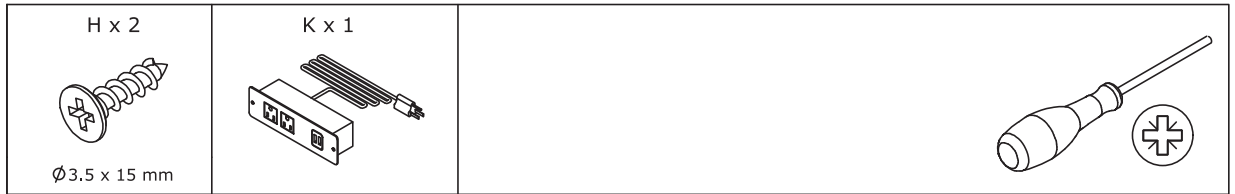
E-1 E-2

E X8

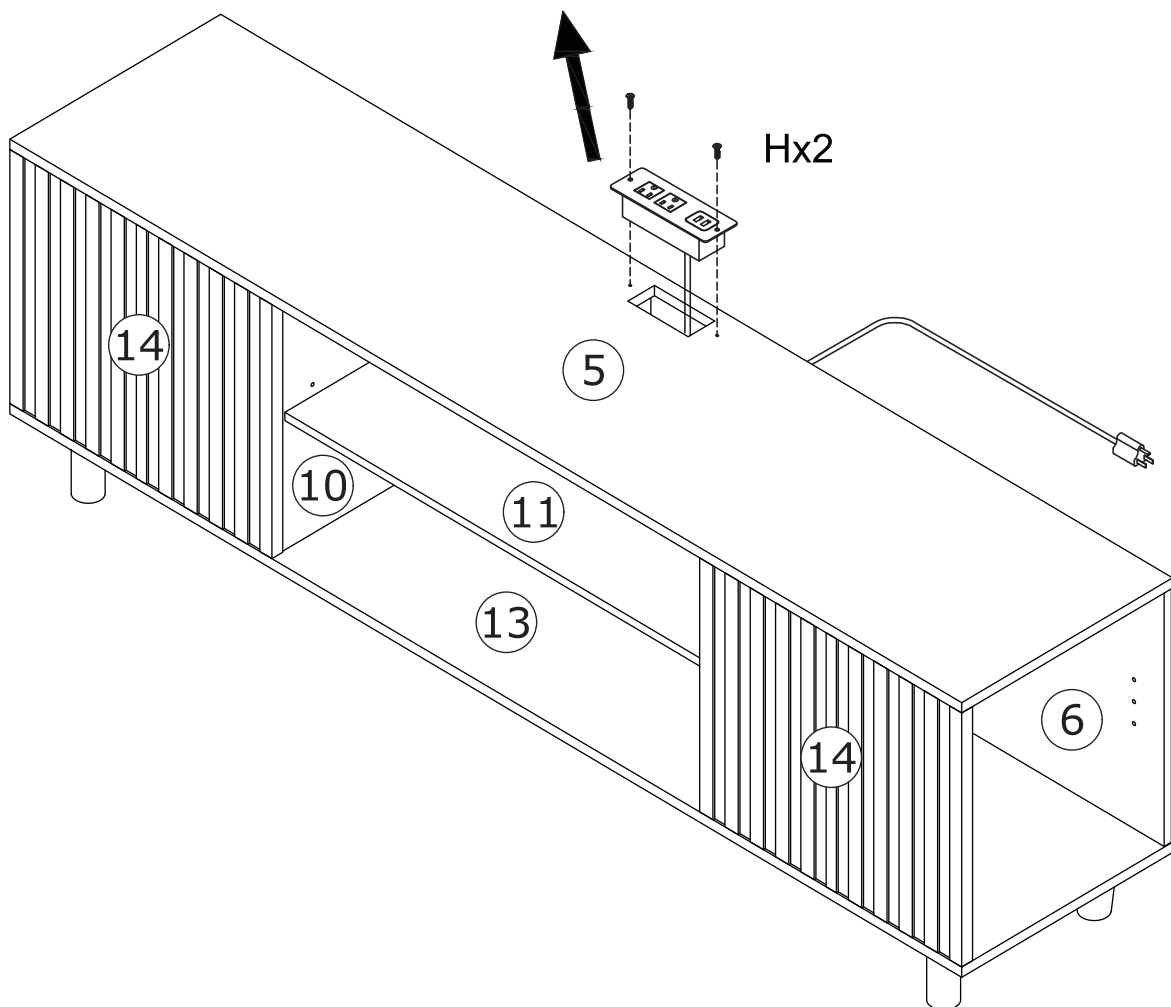
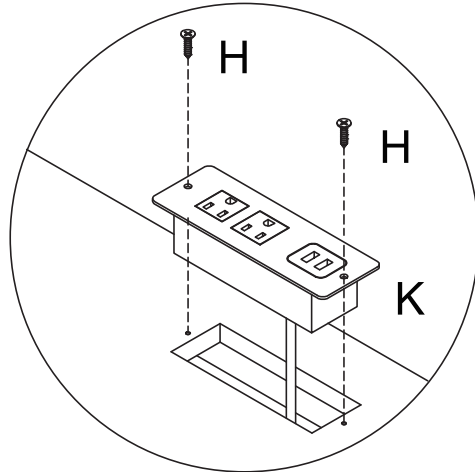
X8 1 E-1

X8 2 E-1 E-2

15



with screws (H) .



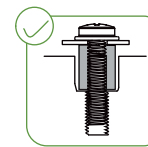
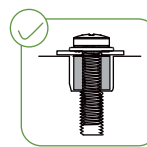
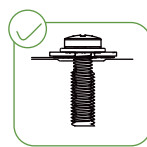
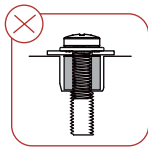
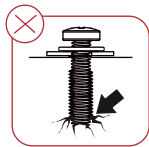
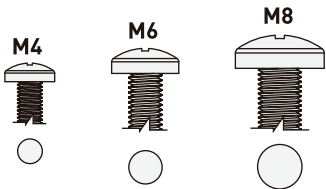
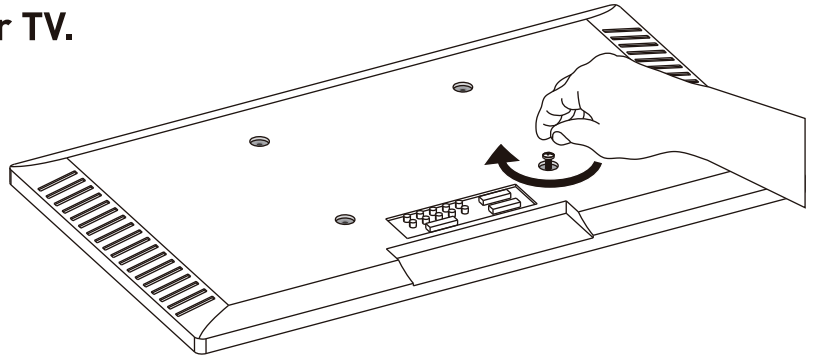
# 16

## INSTALLATION · INSTALLATION

### STEP 1 ATTACHING THE TV BRACKETS TO YOUR TV

#### SELECT TV BOLTS

Only one bolt size fits your TV.

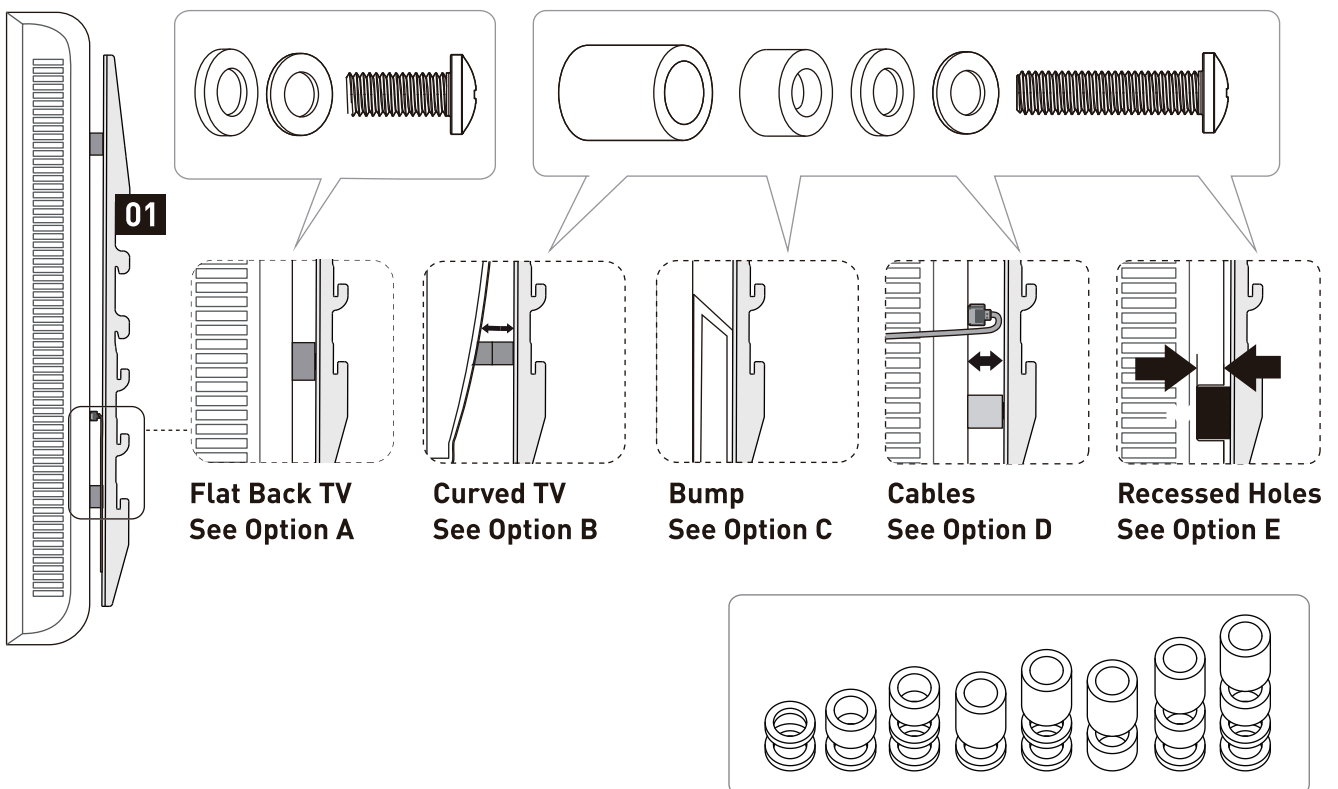


**EN**

Hand thread bolts into the threaded inserts on the back of your TV to determine which bolt (M4, M6 or M8) to use. A minimum of 4-5 turns into the threading is required. Do not turn past the bottom of the hole.

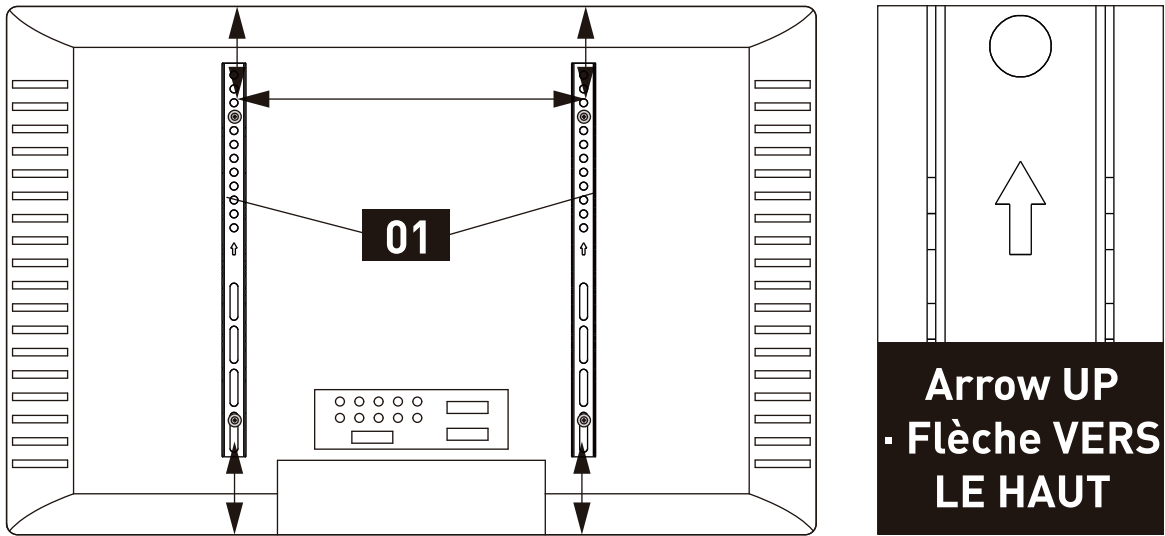
#### SPACER AND BOLT CONFIGURATIONS

· Abstandshalter und Bolzenkonfigurationen



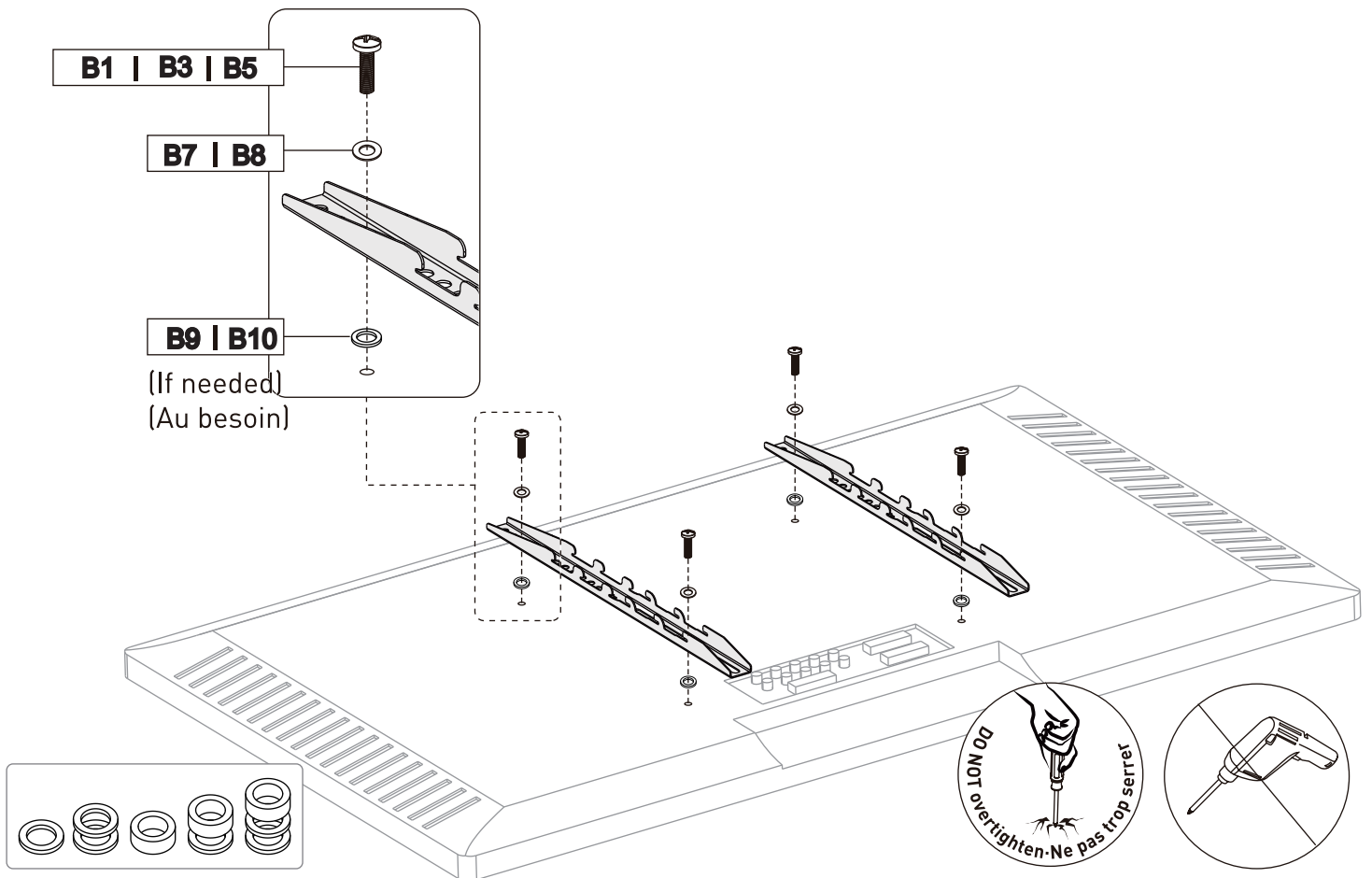
# 17

## ATTACH THE TV BRACKETS TO YOUR TV



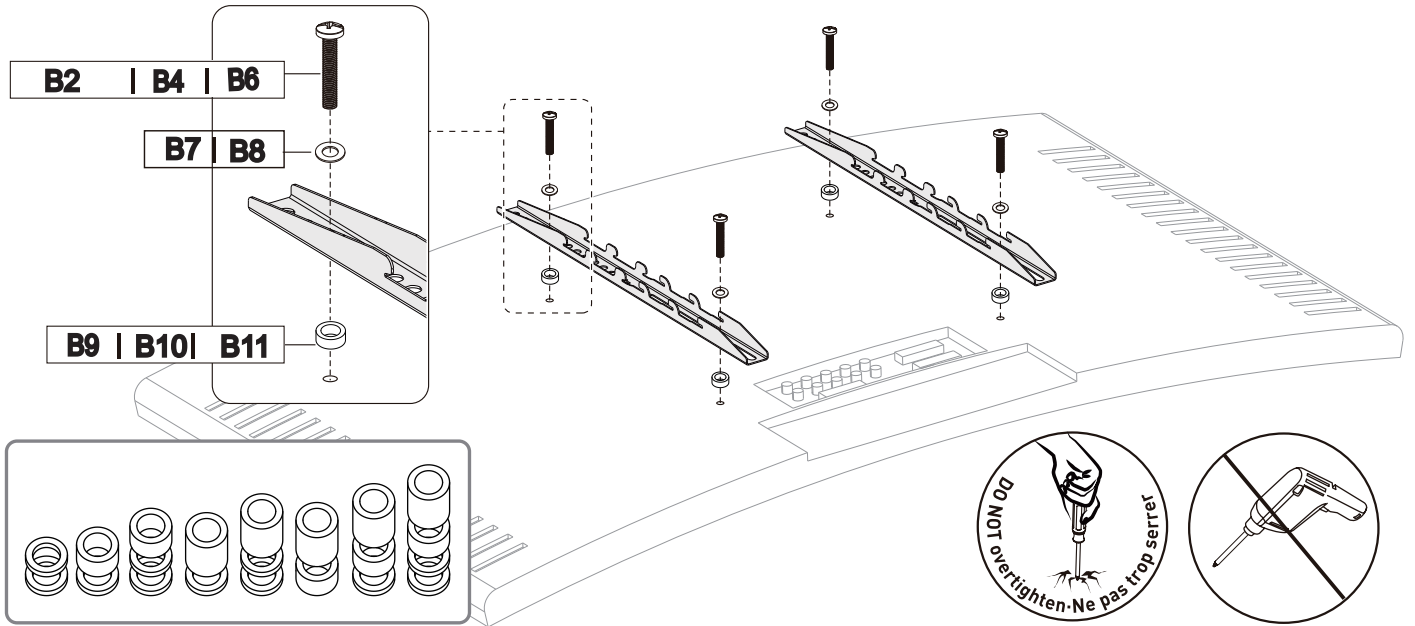
Center the brackets on the back of your TV (top to bottom).  
The TV brackets must be securely fastened in place.

### OPTION A - OPTION A



**EN** Option A: For Flat Back TVs  
Add spacers if needed to fit the bolt length and TV back.

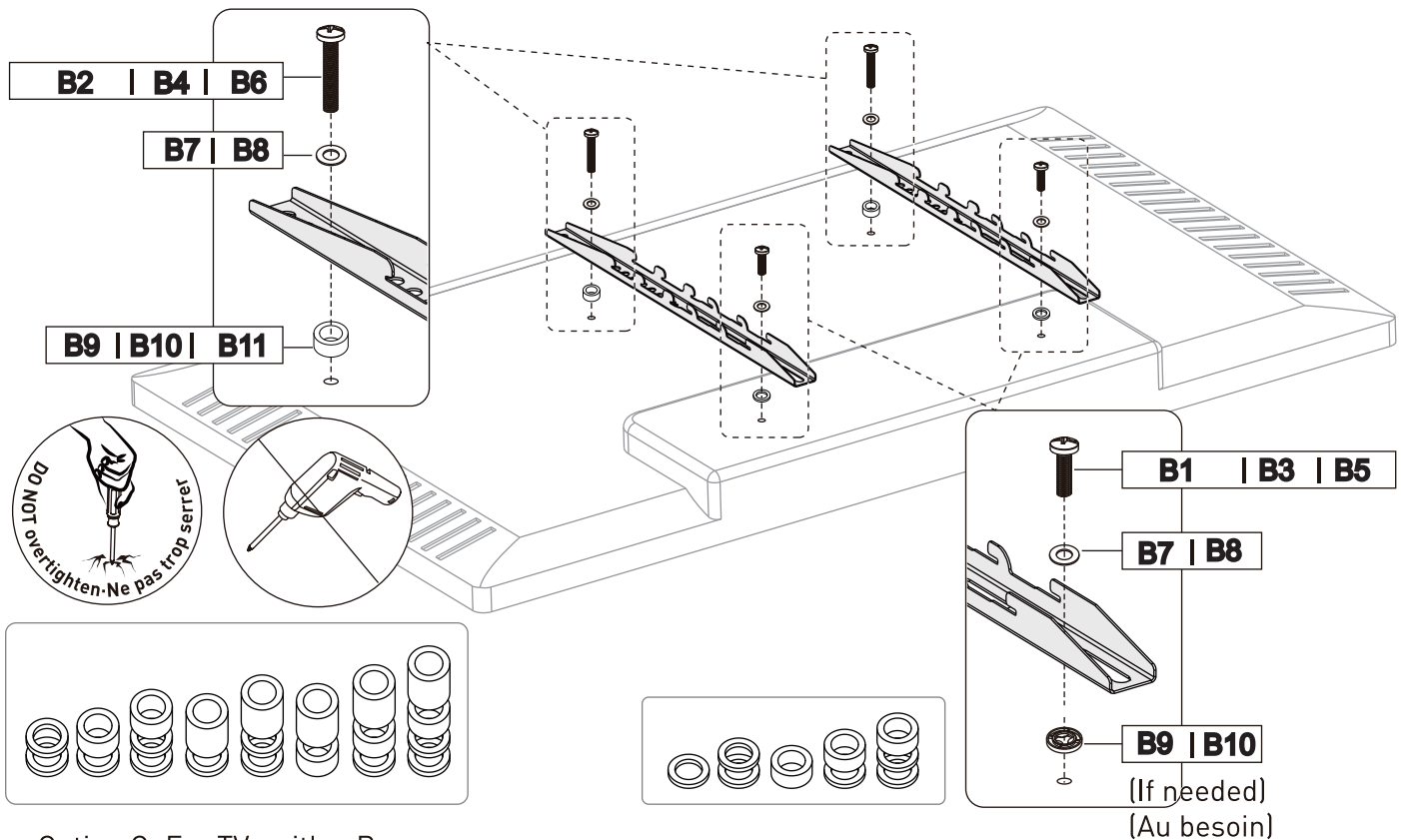
## OPTION B - OPTION B



Option B: For Curved TVs

Spacers must be tall enough so that the curved back of the TV does not interfere with the mounting plate.

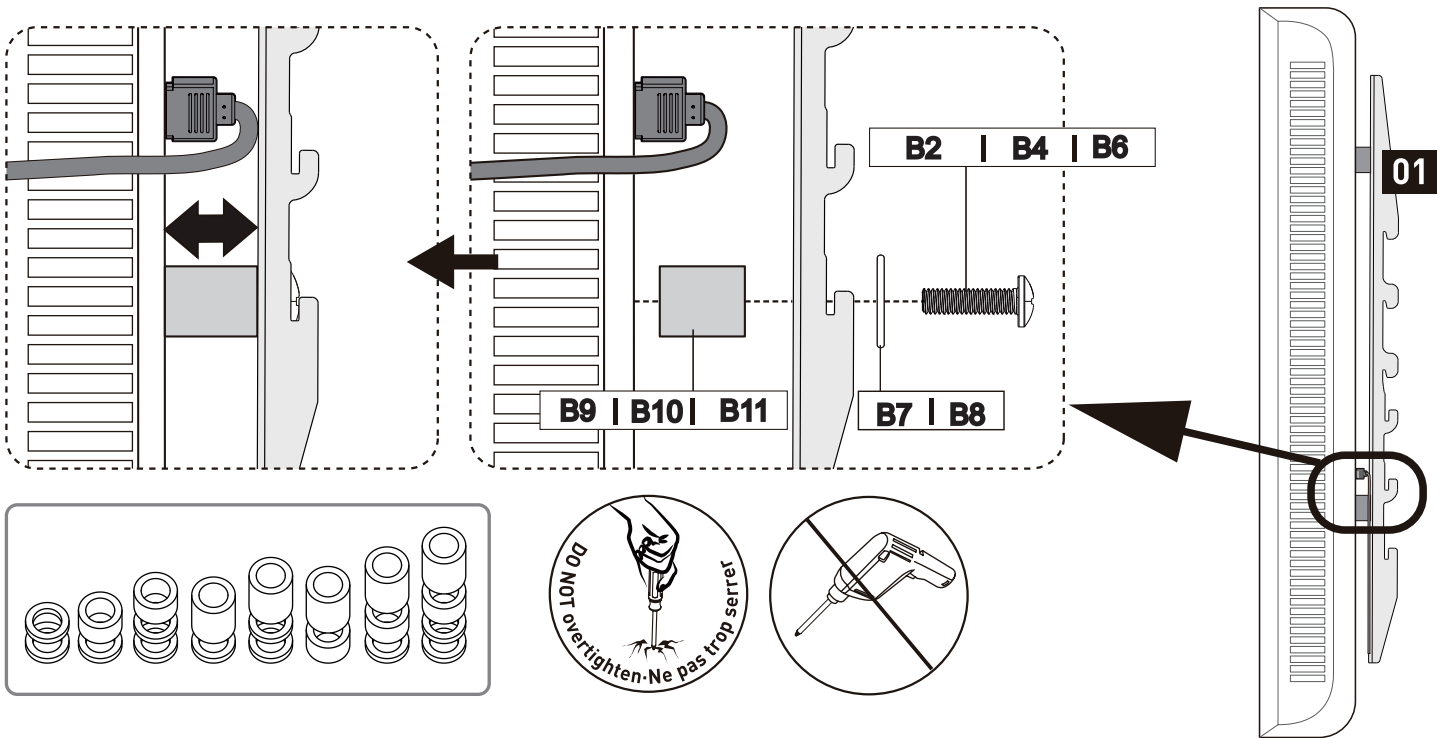
## OPTION C - OPTION C



Option C: For TVs with a Bump

The TV brackets must be flush on the bump and leveled by spacers on the gap.

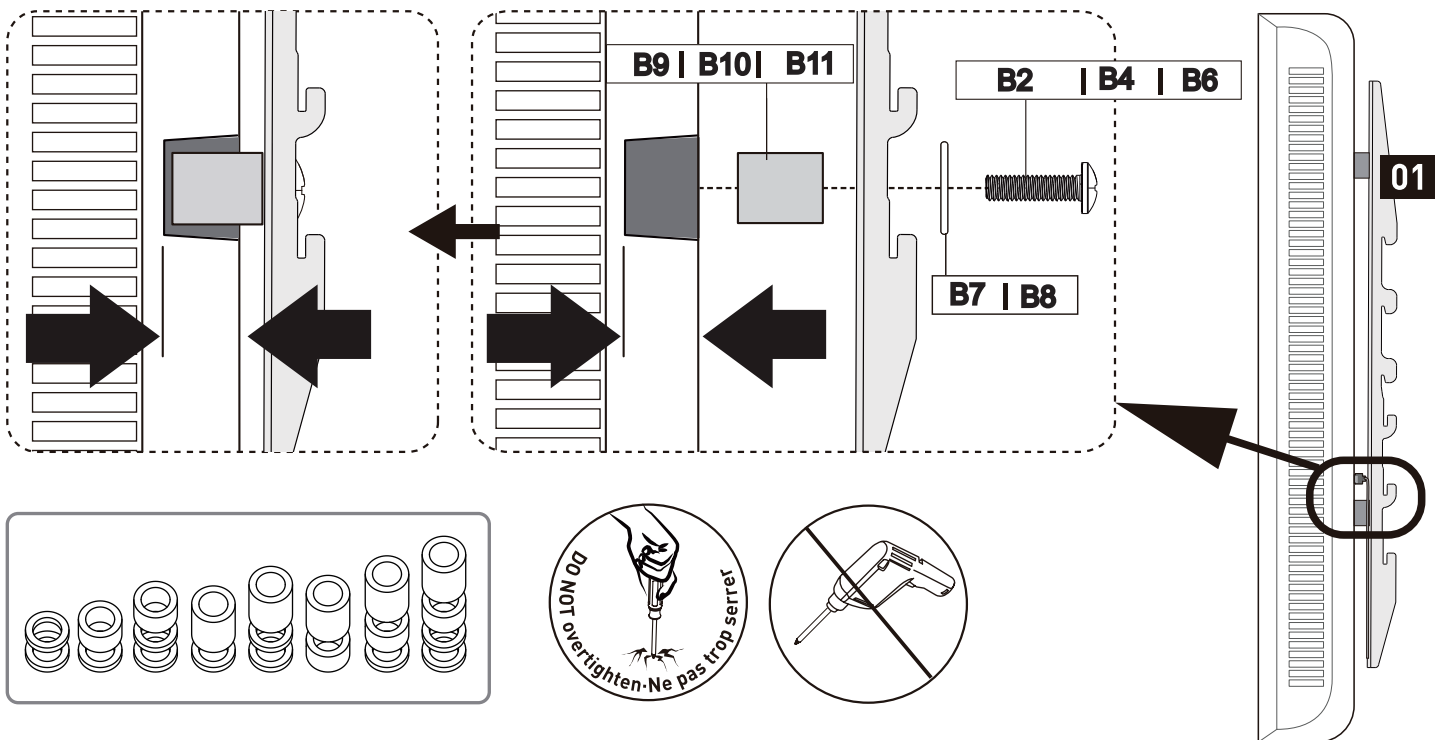
## OPTION D - OPTION D



Option D: For TVs with Protruding Cables

Use spacers to create extra space between the TV and TV brackets.

## OPTION E - OPTION E

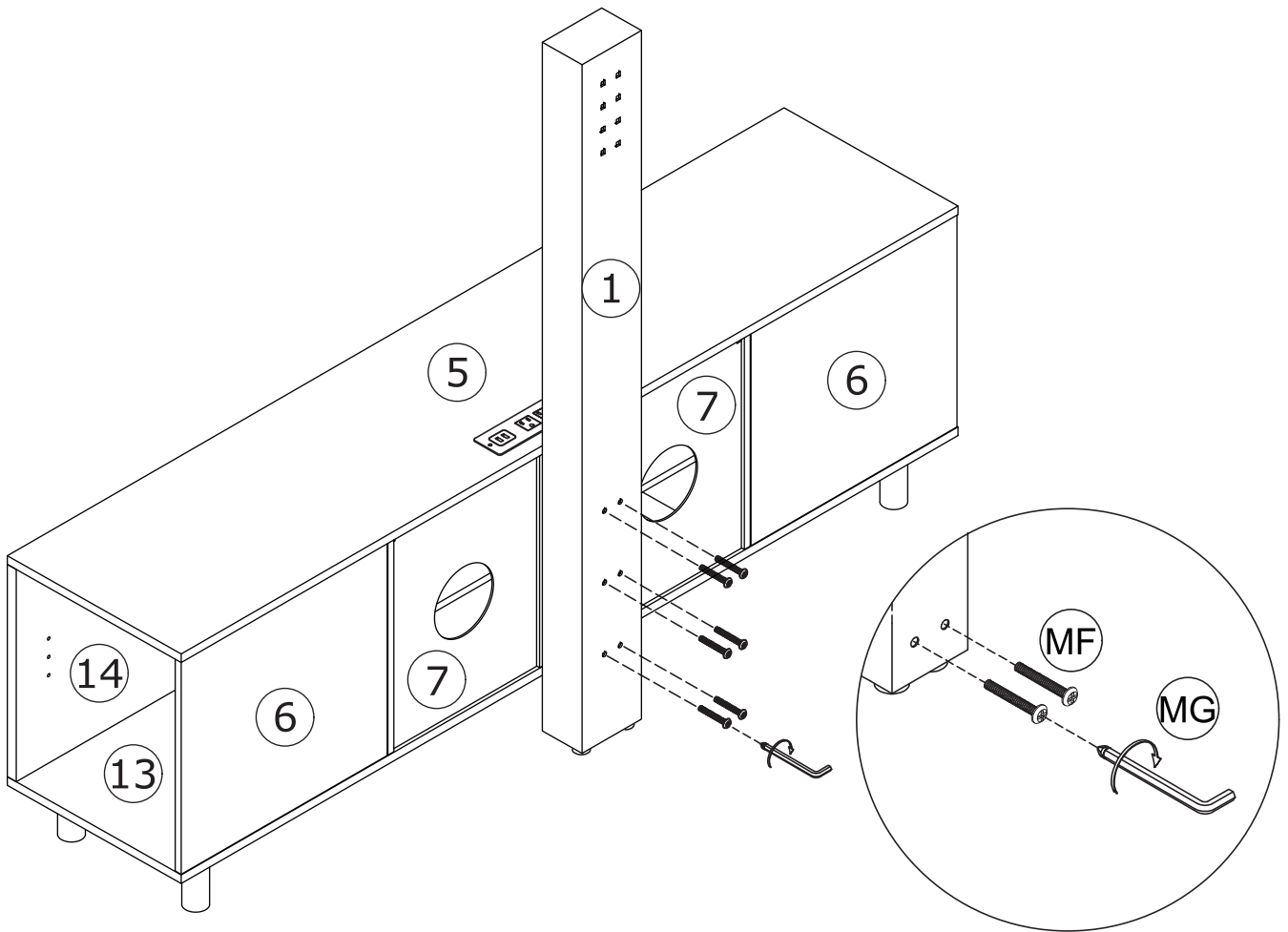
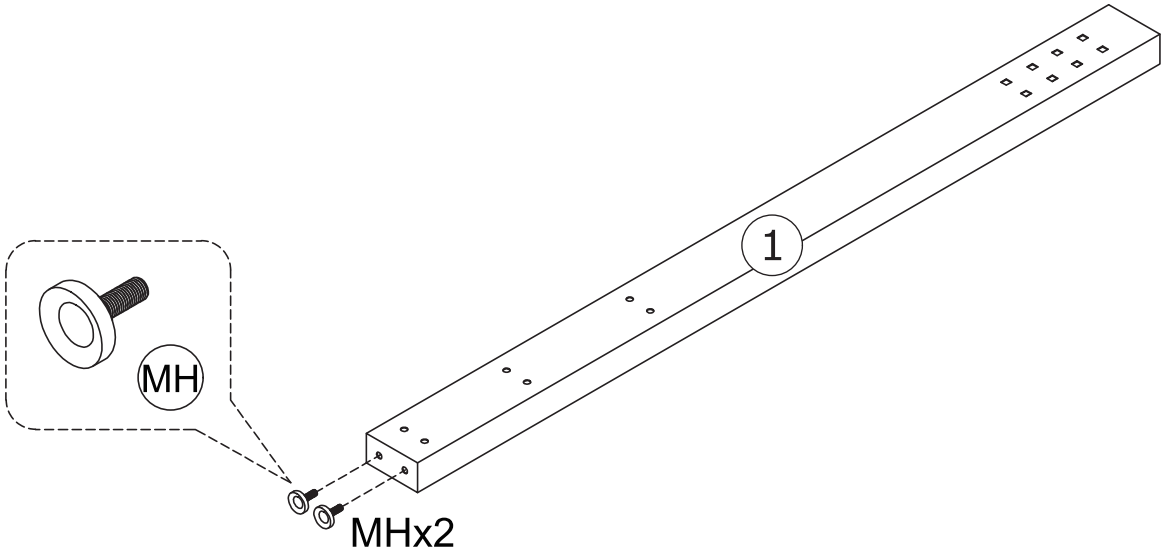


Option E: For TVs with Recessed Holes

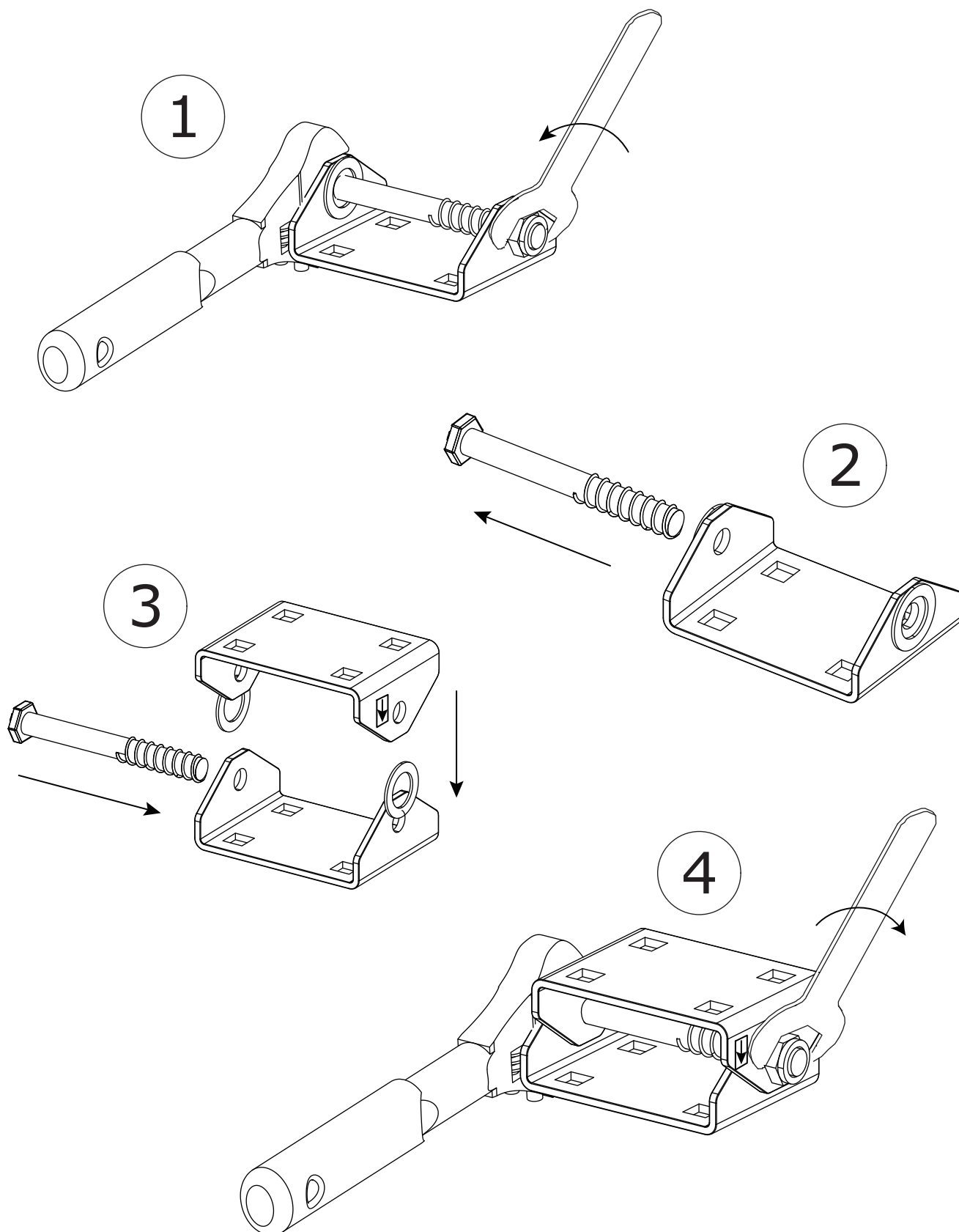
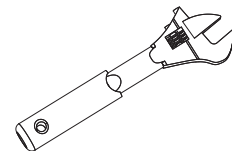
Spacers need to fill in the recessed holes on the back of the TV, while keeping the TV brackets as close to the TV as possible.

20

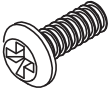



MH x 2 	MF x 6  Ø6 x 55 mm	
---	---	--



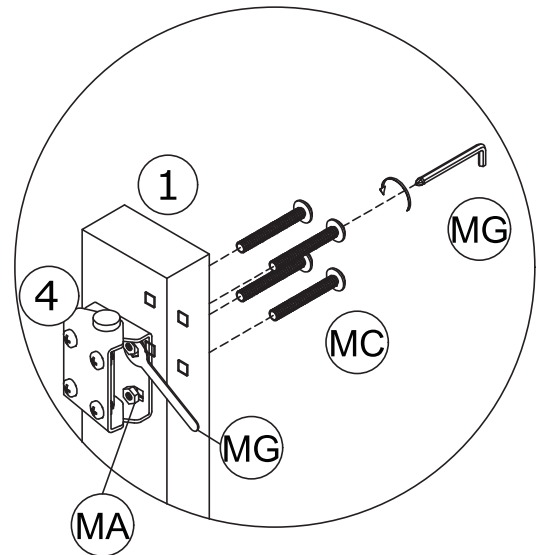
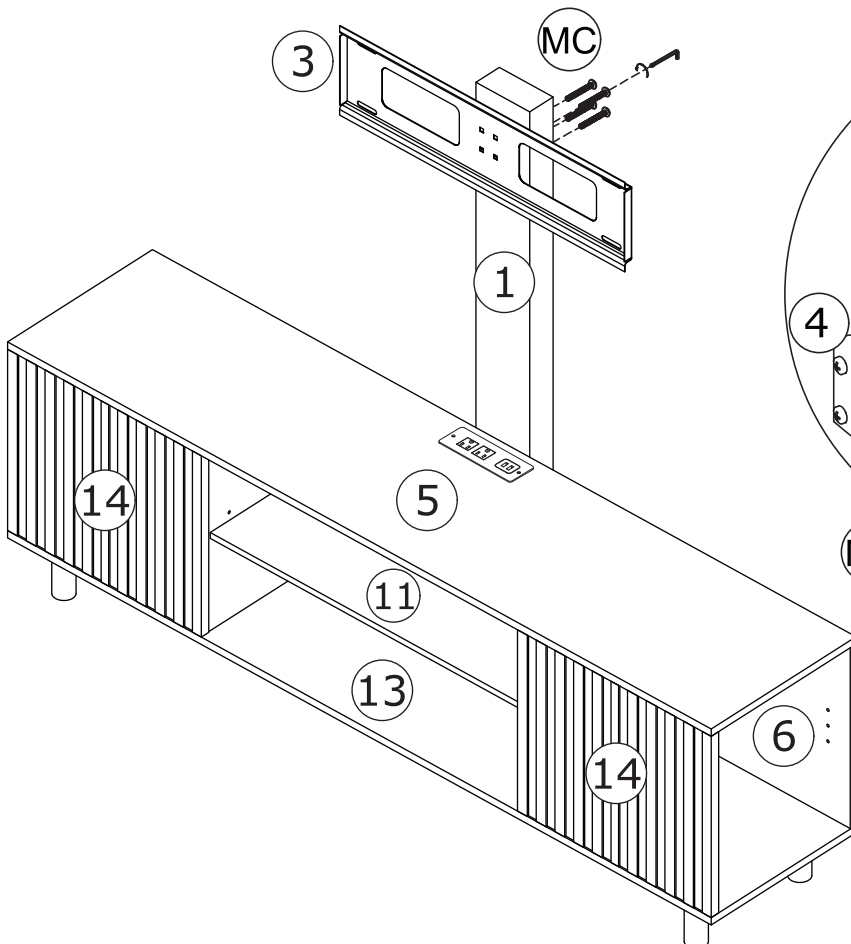
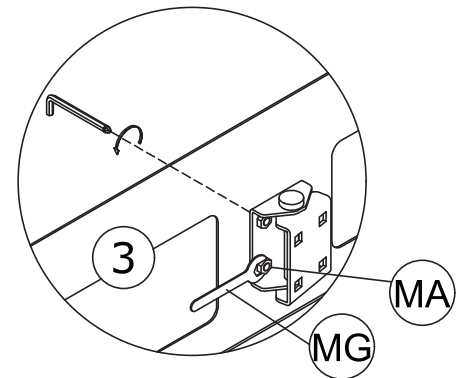
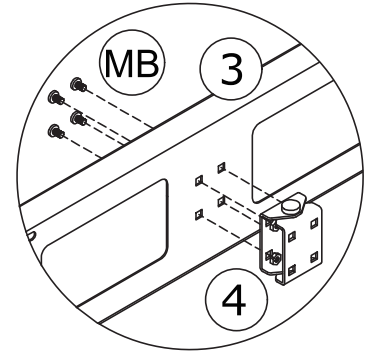
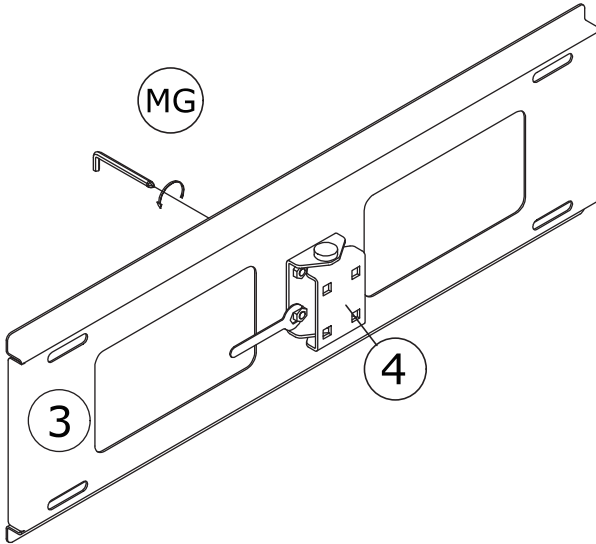
21



22

<p>MB x 4</p>  <p>M8 x 12 mm</p>	<p>MC x 4</p>  <p>Ø8 x 50 mm</p>	<p>MG x 1</p> 	<p>MA x 8</p>  <p>M8 mm</p>	
---	---	---	---	--

Attach the TV panel [3] to the rotating part [4] using bolts [MB] & nuts [MA]. Note: The raised side of the TV board should be attached to the rotating assembly



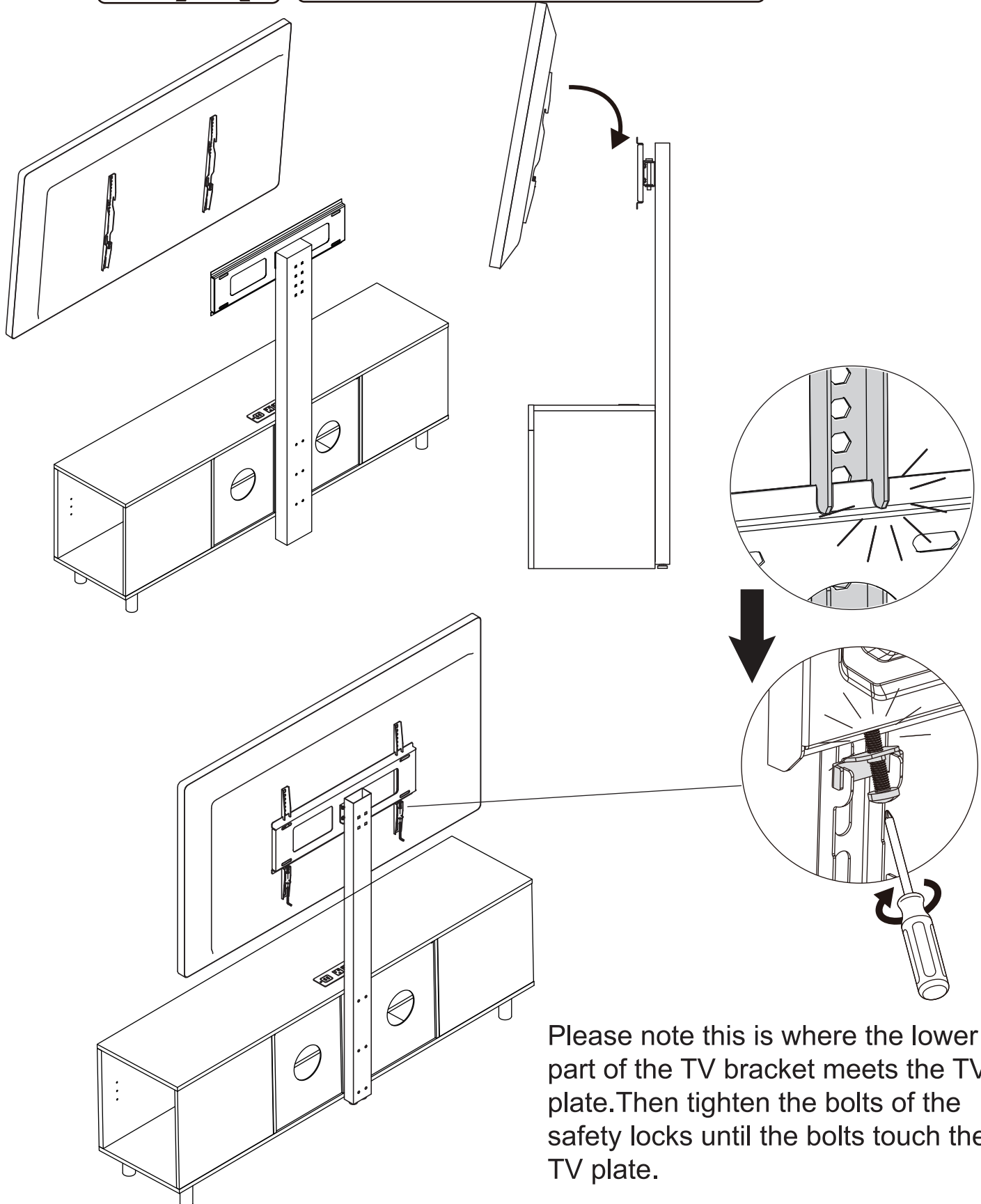
Attach the rotating part [4] to the support post [1] using bolts [MC] and nuts [MA].  
(Can adjust three levels of height)

# 23

## TV Installation Description

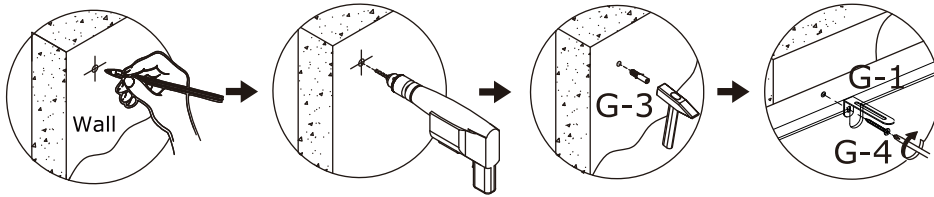
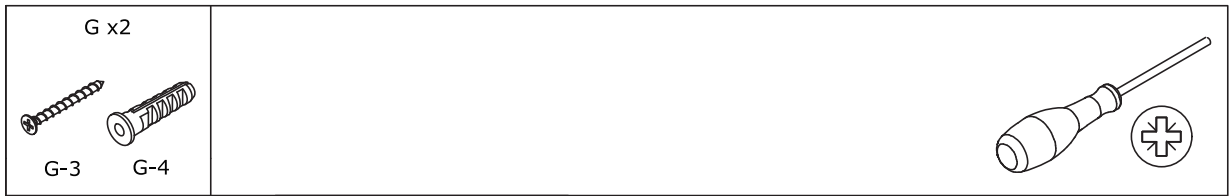


**Note:** Hang the TV in the center of the TV plate.  
• **Remarque :** Accrochez la télévision au centre de la plaque de fixation.



Please note this is where the lower part of the TV bracket meets the TV plate. Then tighten the bolts of the safety locks until the bolts touch the TV plate.

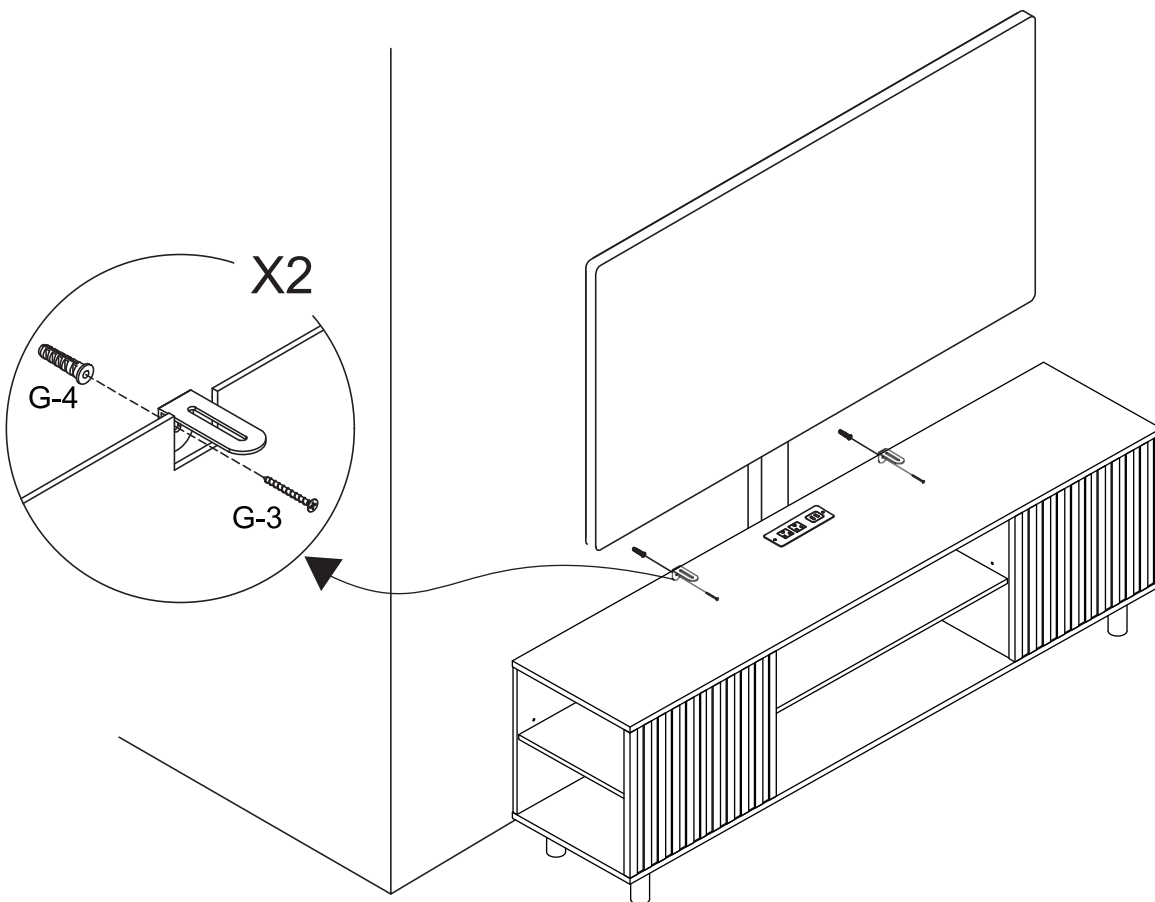
24



A solid wall	B cavity wall	C solid wood
$\Phi 6\text{mm}$ $(1/4")$	$\Phi 6\text{mm}$ $(1/4")$	$\Phi 3\text{mm}$ $(1/8")$

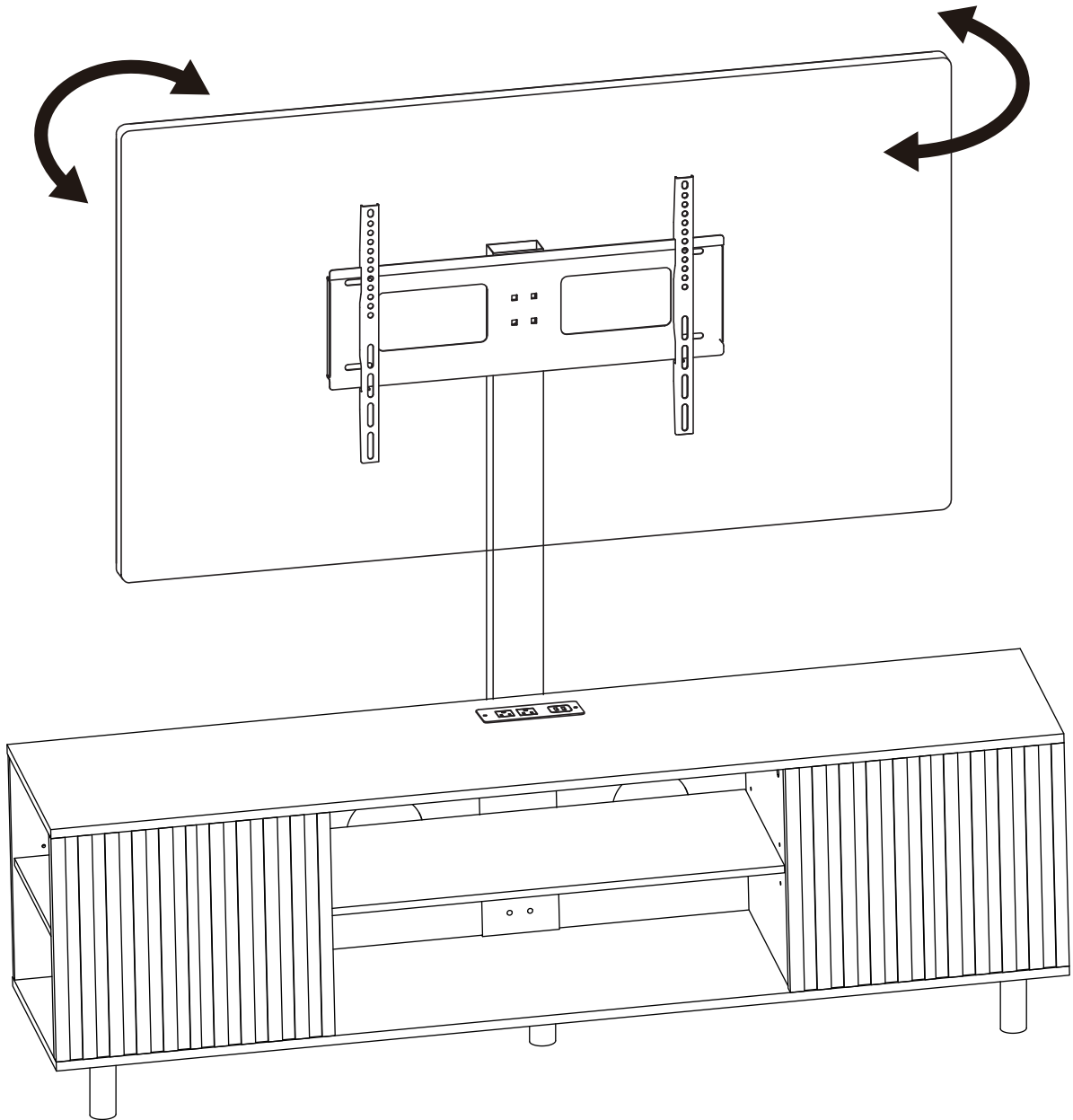
**⚠ Warning:** If you overturn the furniture, it may cause serious or fatal crushing injuries. We have a wall connection device attached, please use it to hold the furniture following these instructions.

1. Mark the corresponding hole positions where you want to place the furniture;
2. Use a impact drill to drill holes and pay attention to avoid wires and water pipes;
3. Knock the expansion pipes into the wall holes;
4. Place the furniture in the corresponding position and tighten the wall connection device with screws.



25

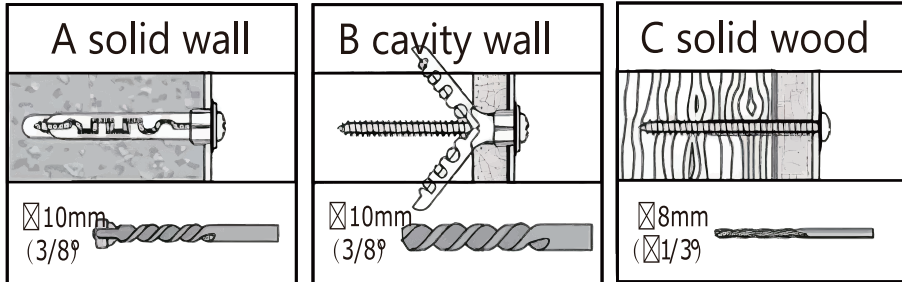
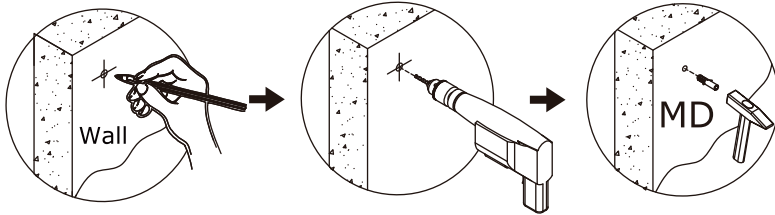
## TV stand function description



If necessary, the TV can be swivelled manually. Adjust the TV only by gripping the TV edges. Do not press on the screen.

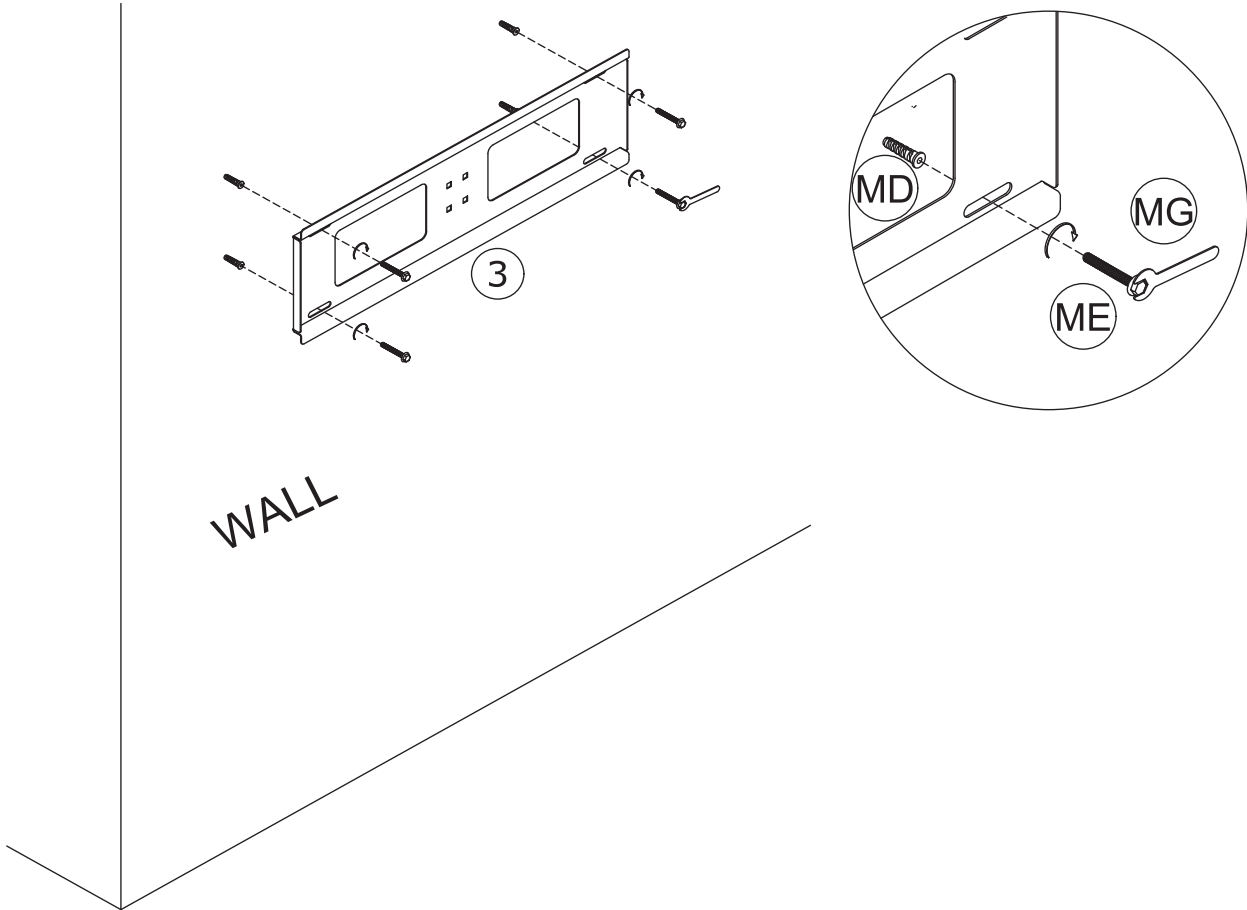
Maximum rotation Angle 40°

26

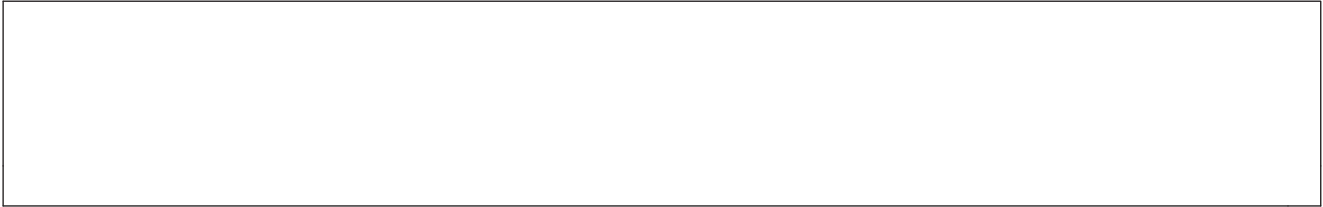


**!** Warning: If you overturn the furniture, it may cause serious or fatal crushing injuries. We have a wall connection device attached, please use it to hold the furniture following these instructions.

1. Mark the corresponding hole positions where you want to place the furniture;
2. Use a impact drill to drill holes and pay attention to avoid wires and water pipes;
3. Knock the expansion pipes into the wall holes;
4. Place the furniture in the corresponding position and tighten the wall connection device with screws.



27



Hang the TV with brackets to the TV plate.

