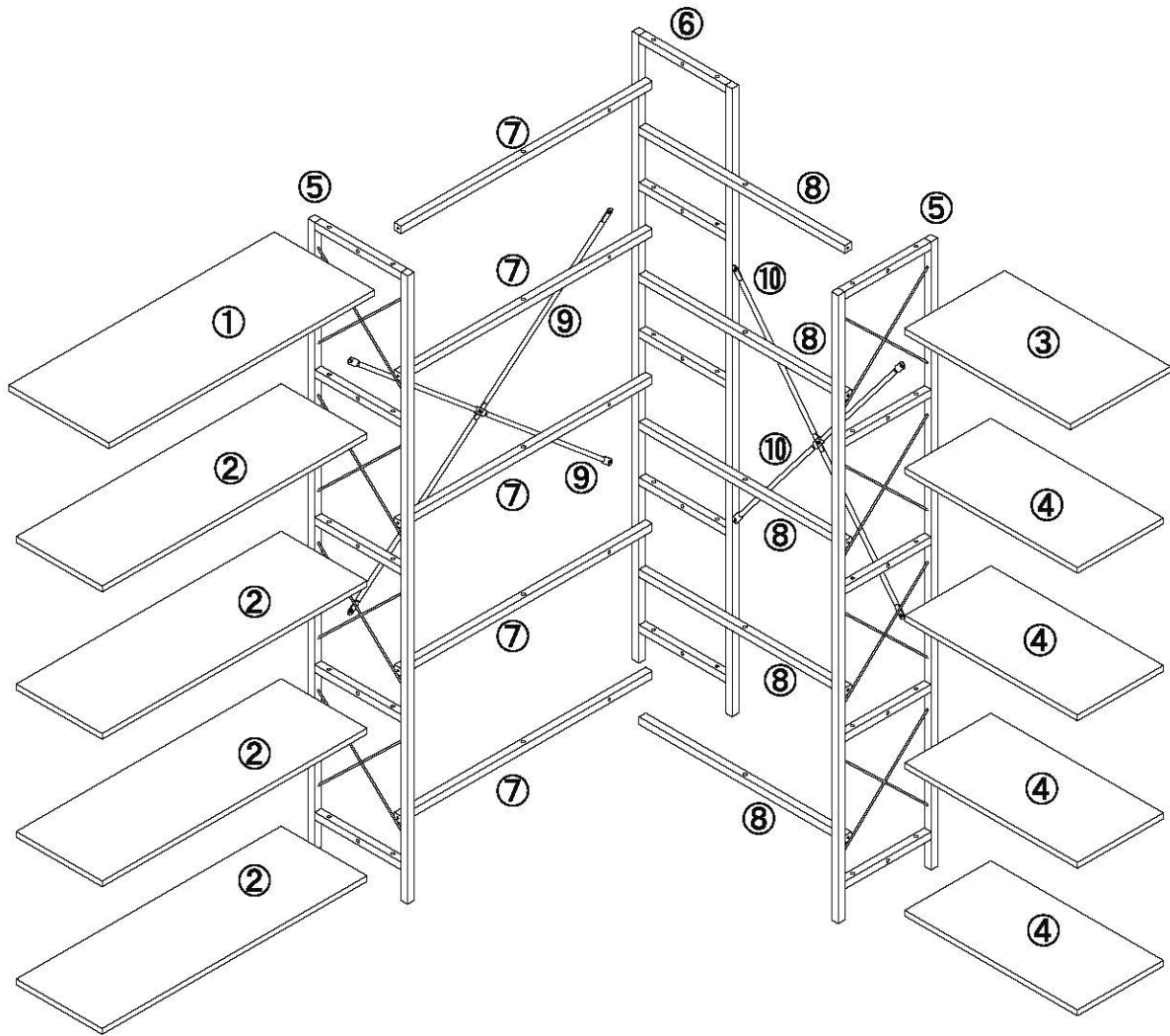


ASSEMBLY INSTRUCTION

ITEM:

Decomposition of components



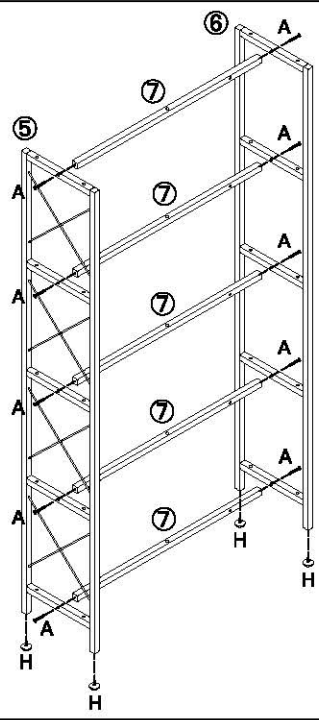
Please check the board number and number

1 1PC	2 4PCS	3 1PC	4 4PCS	5 2PCS
6 1PC	7 5PCS	8 5PCS	9 2PCS	10 2PCS

Please check the number and quantity

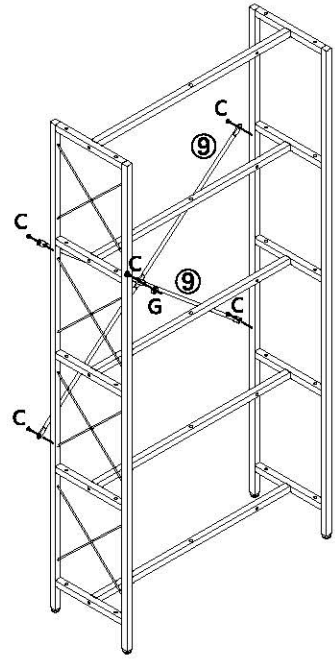
A M6*40 20PCS	B M6*30 40PCS	C M6*12 10PCS	D M3.5*14 40+4PCS	E 10PCS	F 2PCS
G M6 2PCS	H 6PCS	 1PC			

STEP 1



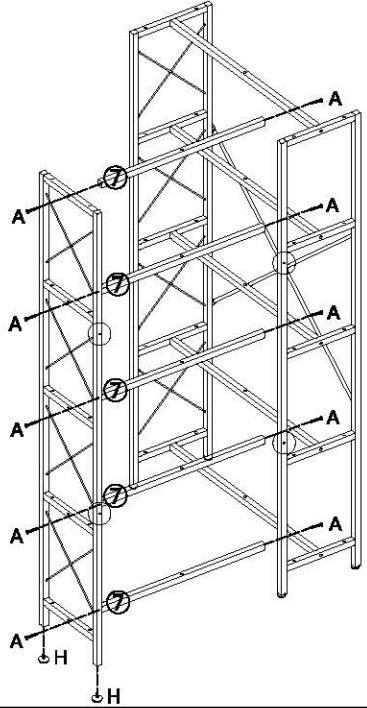
— A X 10PCS
 ⊕ H X 4PCS

STEP 2



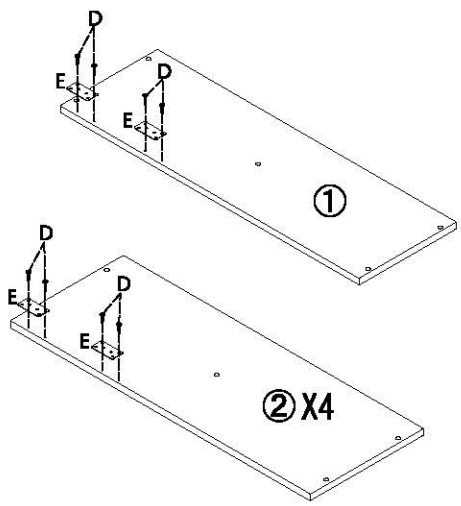
⊕ C X 5PCS
 ⊕ G X 1PC

STEP 3



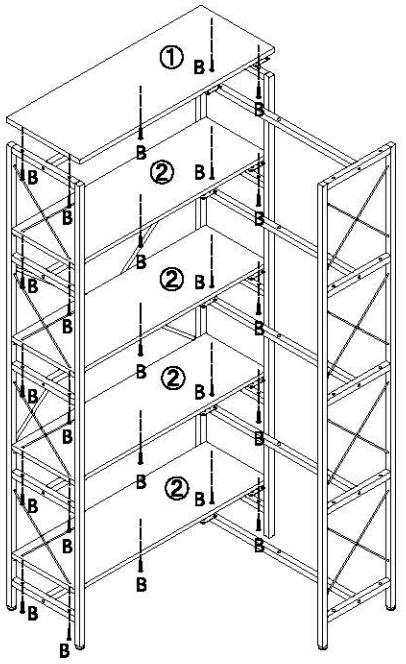
— A X 10PCS
 ⊕ H X 2PCS

STEP 4



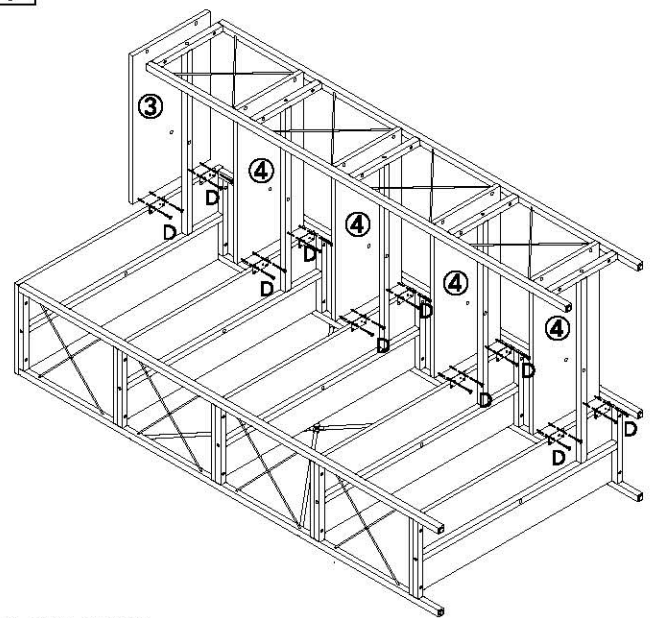
⊕ D X 20PCS
 ⊕ E X 10PCS

STEP 5



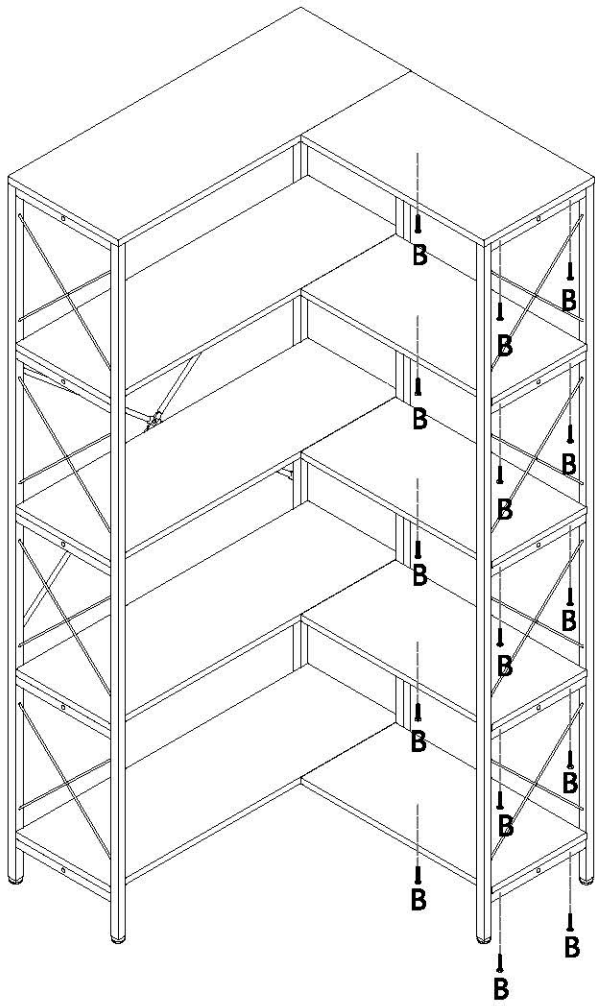
— B X 25PCS

STEP 6



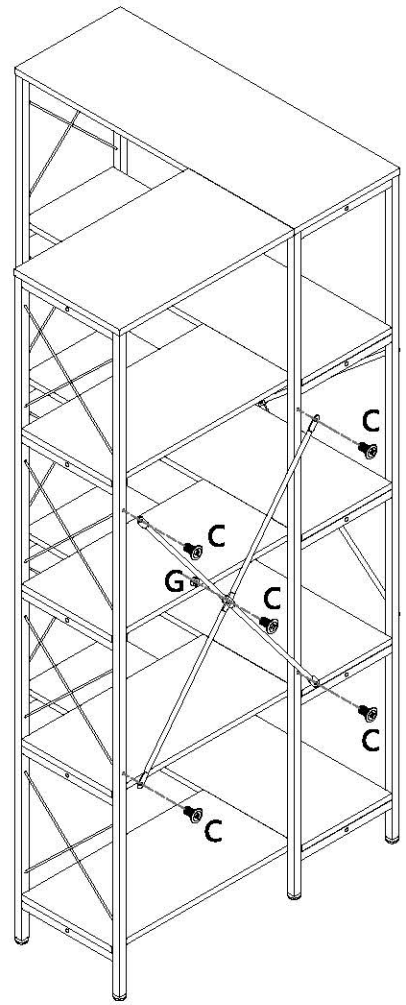
⊕ D X 20PCS

STEP 7



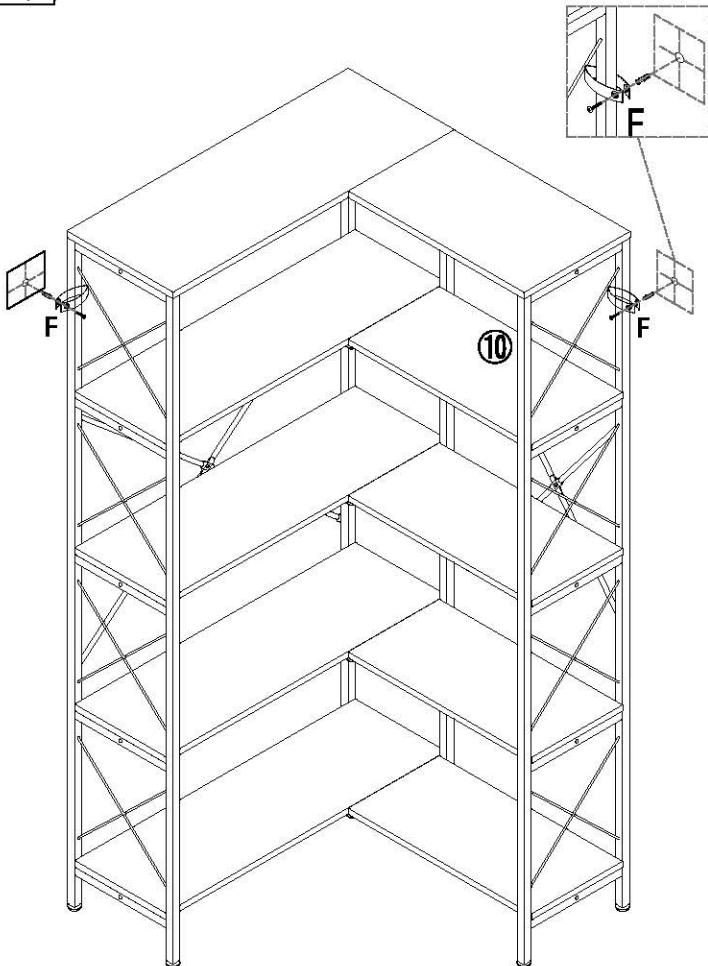
B X 15PCS

STEP 8



C X 5PCS
G X 1PC

STEP 9



F X 2PCS

