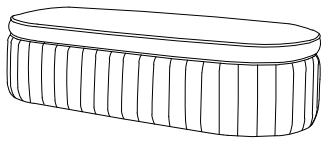


BENCH ASSEMBLY INSTRUCTION (TOTAL 1 BOX)



A x 1 pc



B x 4 pcs



C x 4 pcs (8x20mm)



E x 4 pcs (M8x20mm)



G x 4 pcs (M8)



D x 8 pcs (M6x20mm)

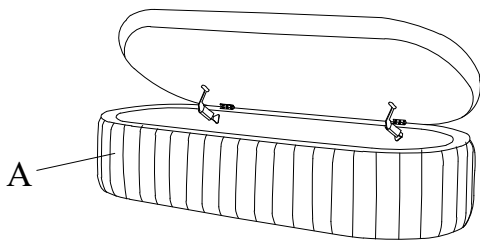


F x 8 pcs (3x17mm)

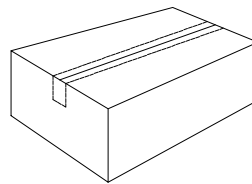


H x 1 pc (5mm)

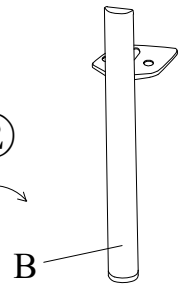
1



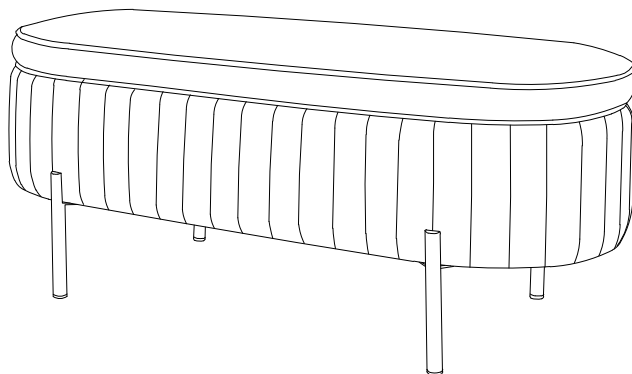
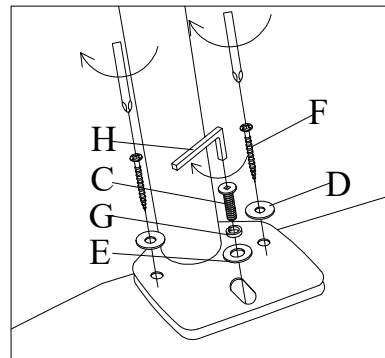
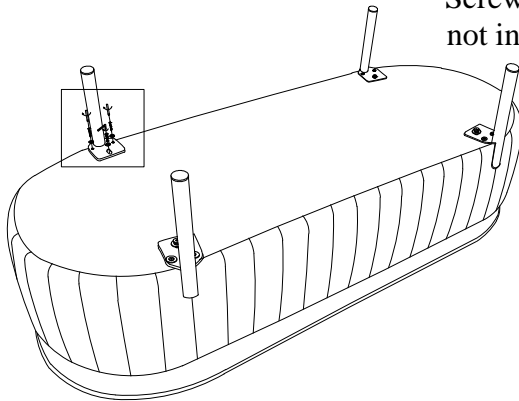
①



②



Screwdriver required,
not included



Thank you for your purchase.