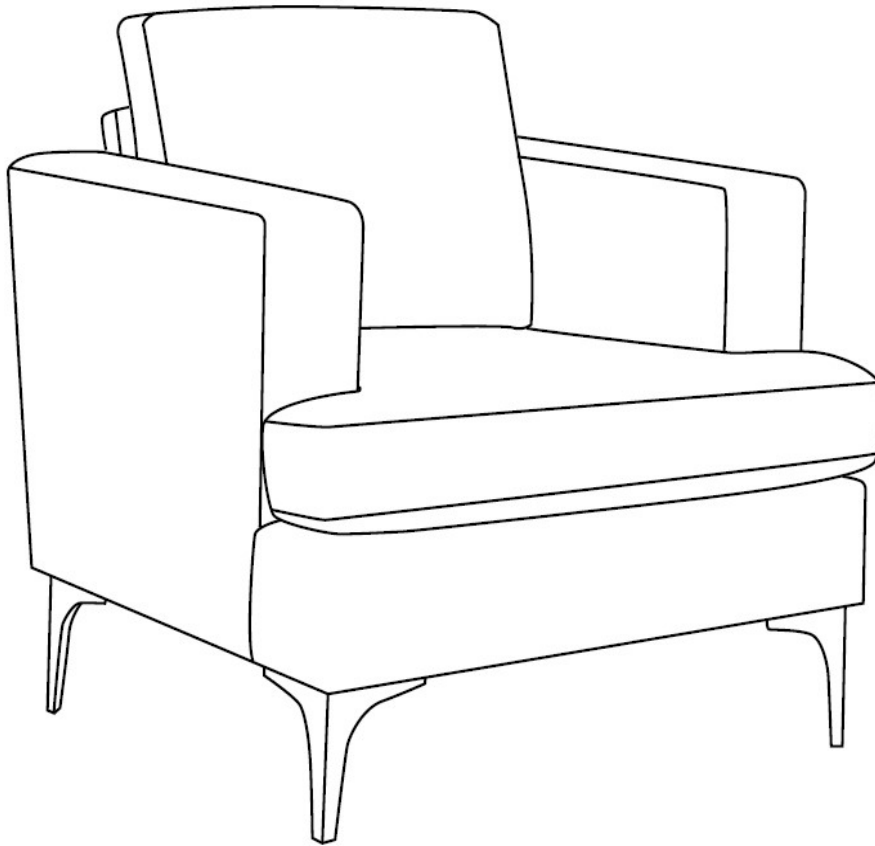


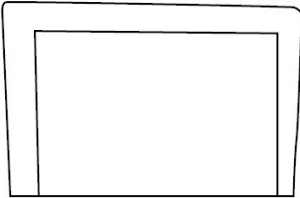
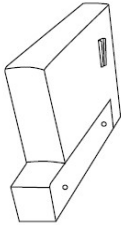
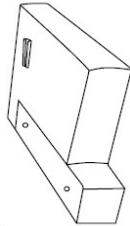
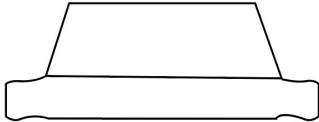
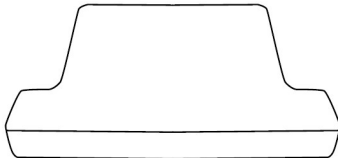
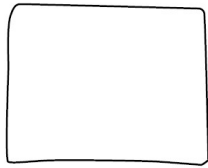
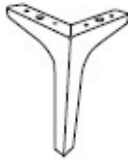
# Assembly Instructions

**Caution: You must read this before you proceed**






## CHAIR



## Part List

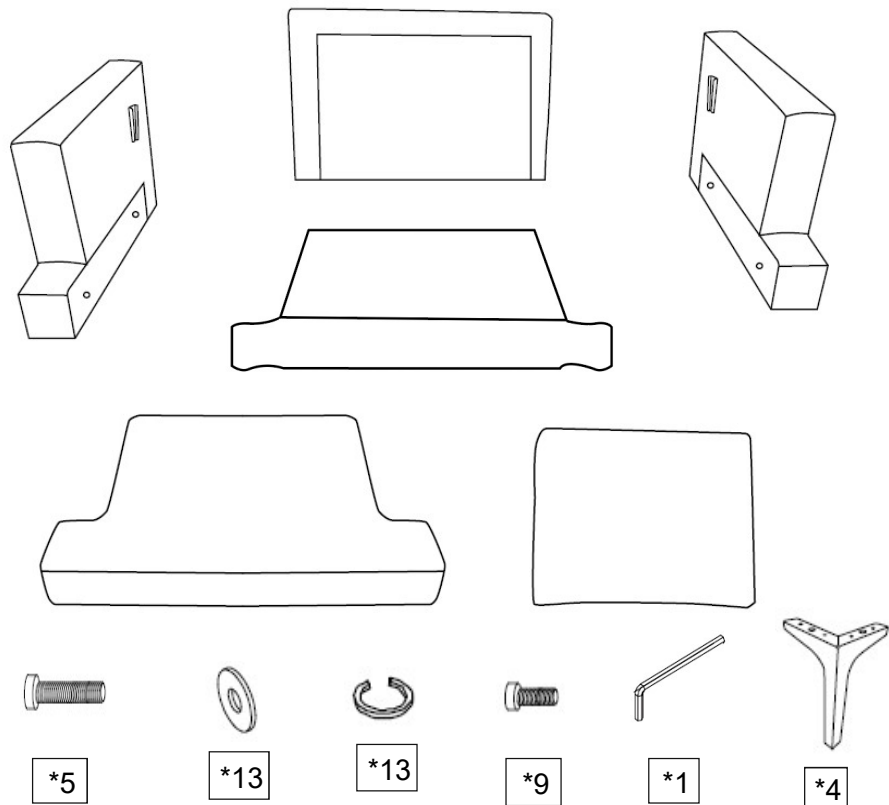
Label	Picture	Description	QTY
A		Backrest	1
B		Left Armrest	1
C		Right Armrest	1
D		Seat	1
E		Seat Cushion	1
F		Back Cushion	1
G		Iron Leg	4

## Hardware List

Label	Picture	Description	QTY
①		Bolt(M8*55)	5
②		Flat Washer Ring	13
③		Spring Washer Ring	13
④		Bolt(M8*25)	9
⑤		Allen Wrench	1

## Assembly Preparation

Before Beginning Assembly:



- Read instructions, cover to cover-



- Have 2 adults on hand for assembly-



- Do not assemble on flooring or carpet-



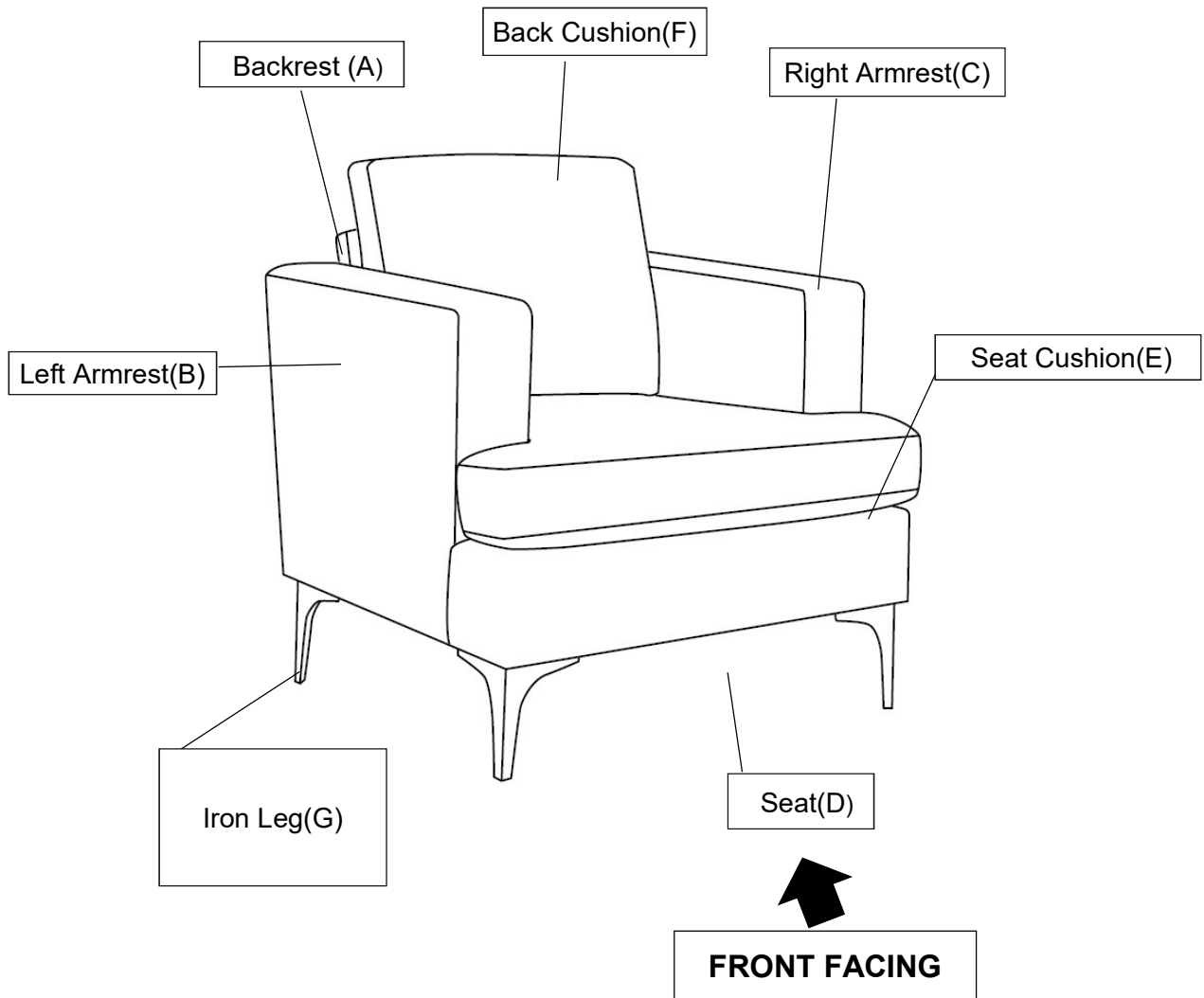
- Assemble on a clean non-marring surface (packing foam)-



- Save all packaging until finished-

## Assembly Steps

### OVERVIEW



This CHAIR has multiple parts and may require up to 60 minutes to assemble. To give you an overview of the chair parts, the above picture is to help you put the various parts into perspective. Please read through the instructions below to familiarise yourself with the parts and steps before assembly.

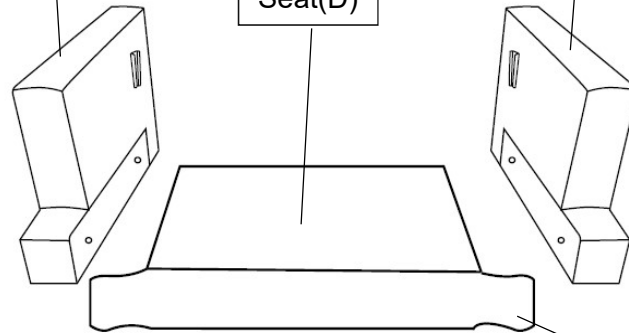
**Note: It is recommended that you have an adult partner to assist during the entire assembly process.**

## Step 1

Left Armrest(B)

Right Armrest(C)

Seat(D)



Ensure the fabric does not get stuck inside

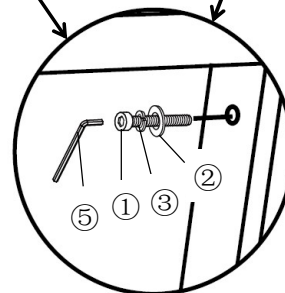
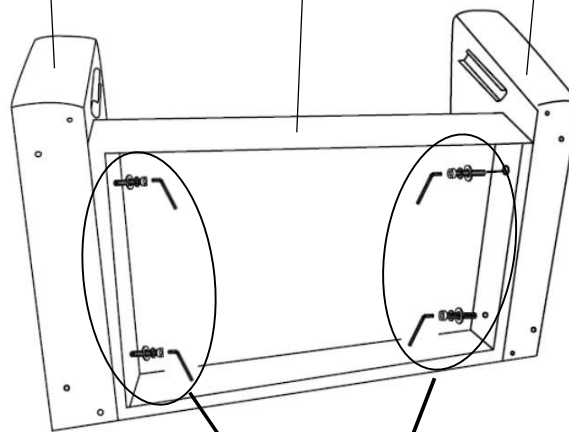
Open the carton and place all the parts on a clean, non-marring surface.  
Install the Left Armrest(B) and the Right Armrest(C) to the Seat(D) as shown above.  
**NOTE: The fabric on the sides of the Seat(D) should remain on the outside.**

## Step 2

Left Armrest(B)

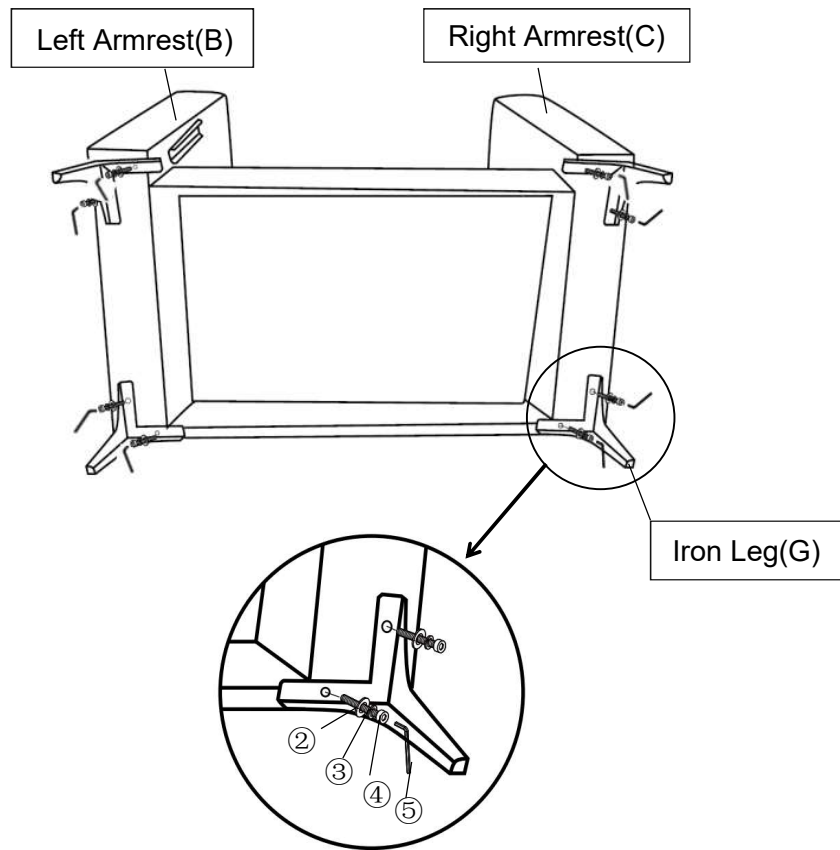
Seat(D)

Right Armrest(C)



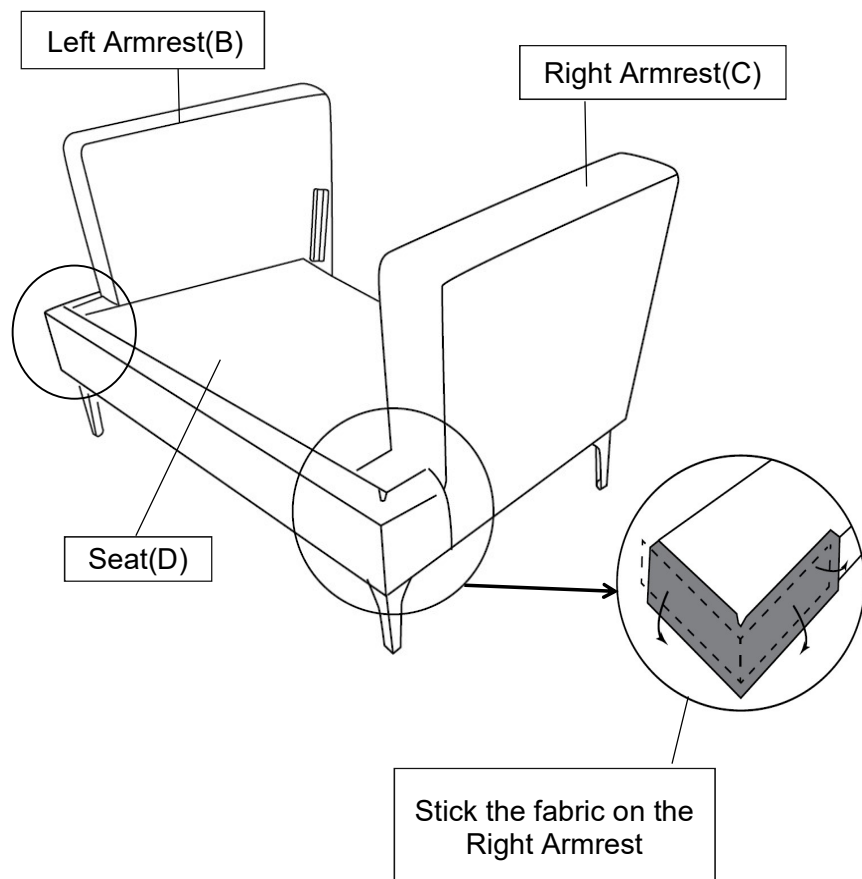
Attach the Left Armrest(B) & Right Armrest(C) using Bolts(①), Spring Washer Rings(③), and Flat Washer Rings(②) with the Allen Wrench(⑤), turning clockwise until tight.

### Step 3



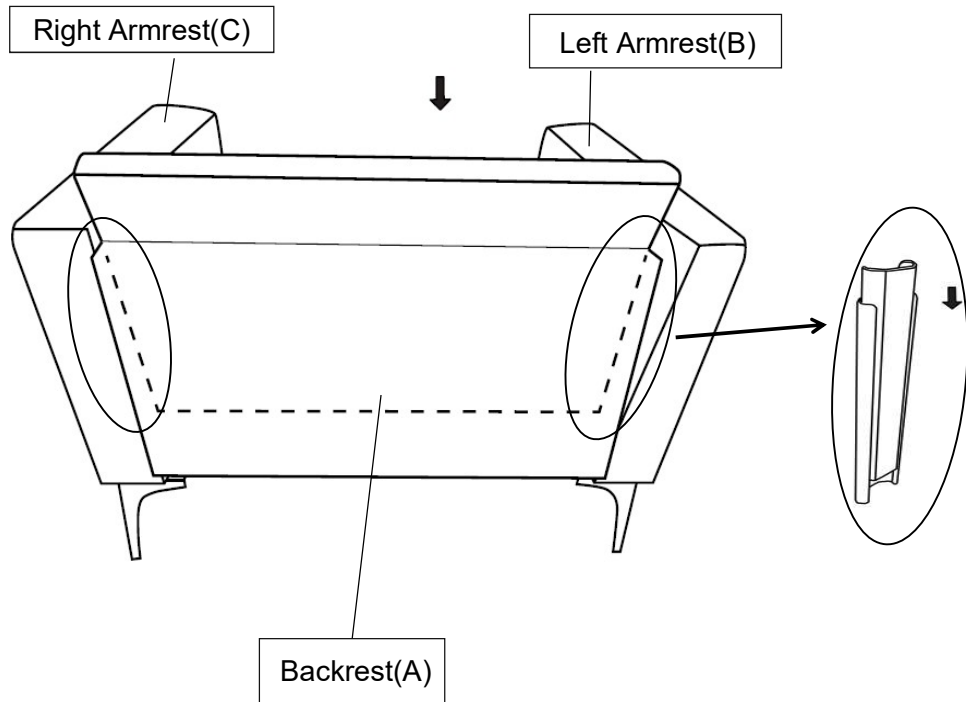
Attach the Iron Leg(G) to the Left Armrest(B) and the Right Armrest(C) using Bolts(4), Spring Washer Rings(3), and Flat Washer Rings(2) with the Allen Wrench(5), turning clockwise until tight.

### Step 4



Stick the fabric of the Seat(D) to the Left Armrest(B) and Right Armrest(C), then, smooth out the fabric of the Seat(D) as shown above.

### Step 5



Slide the Tapered Connectors on the Backrest(A) into the Tapered Connectors on the Left Armrest(B) and Right Armrest(C) as shown in the picture.

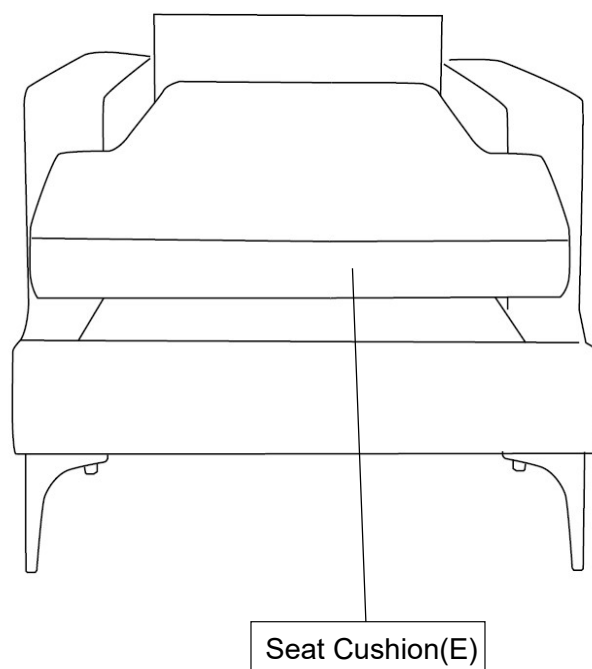
**Note: Make sure the Tapered Connectors on the Backrest(A) lock into the Tapered Connectors on the Left Armrest(B) and Right Armrest(C).**

**Assistance from an adult partner is necessary for this assembly process.**

**During this assembly process - do exercise caution. You may need to use your hand to press down and or pave away the padded surface to facilitate the 'slip and slide' assembly.**

**Caution: Ensure that your fingers do not get caught or pinched in the assembly process.**

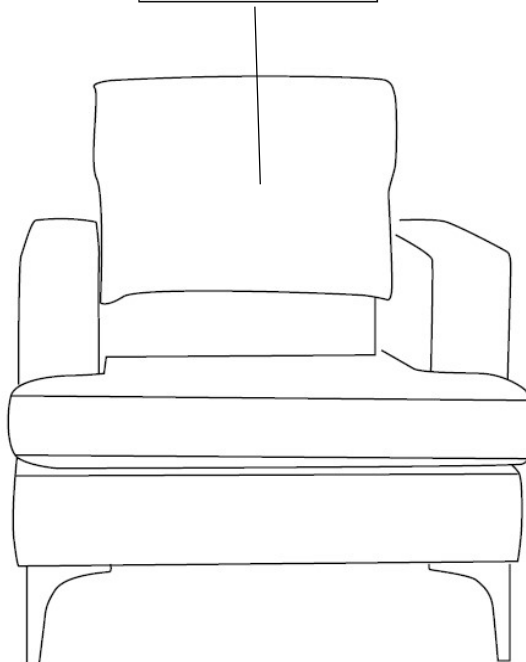
### Step 6



Put the Seat Cushion(E) on the Chair.

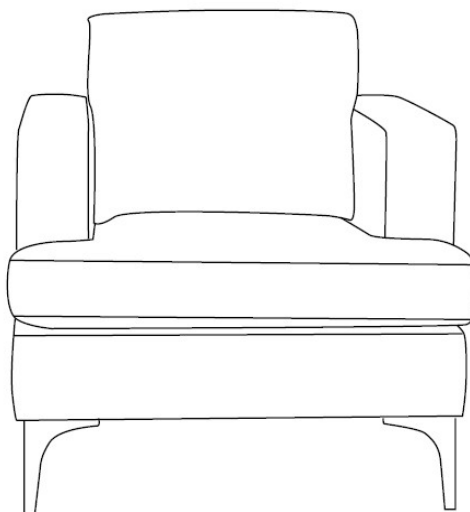
Step 7

Back Cushion(F)



Put the Back Cushion(F) on the Chair.

Step 8



Your Chair is ready for use.

**This Chair can only be used on a flat, level surface.**

## Care & Maintenance



- Furniture may scratch floors. We recommend using furniture pads to protect your floors.



- Do not put hot items directly on furniture surface.



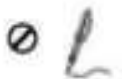
- Do not clean furniture with harsh cleansers or polish.



- Do not place furniture under direct sunlight.



- Do not place furniture near heating or cooling vents.



- Do not write on furniture without a padded barrier to protect the surface.



- Do not place furniture outside . For indoor use only.



- Not for commercial use. For residential use only.



- Stains may be removed with mild soap solution and damp cloth.



- Children should not climb or jump on the furniture.



- Dust and pick-up spills using a clean, non-colored, lint-free cloth.