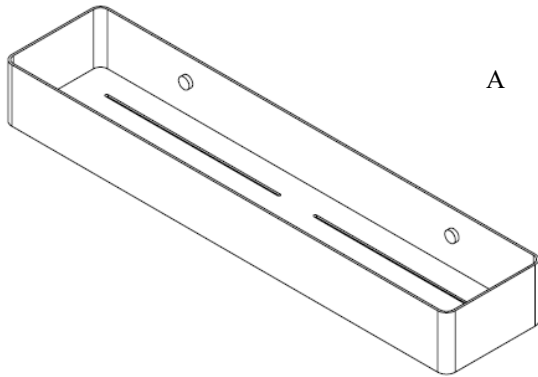


Wall Shelf Installation Guide



A



B

Parts Included	QTY
A - Wall Shelf	1
B - Screw	2

Model #	Description	Finish	Weight (lb)	WxHxD (mm)	WxHxD (Inches)	Metal Type
A	Wall Shelf	Matte White	4	500 x 60 x 110	19.7 x 2.4 x 4.3	Stainless Steel
B	Wall Shelf	Matte Black	4	500 x 60 x 110	19.7 x 2.4 x 4.3	Stainless Steel

Warranty: 2 Years

Care & Maintenance: A periodic wash using warm water and a soft cloth will retain the high quality finish of your product for many years to come. ON NO ACCOUNT should any household bleaches, detergents, abrasive polishes, steel wool or other cleaning agents be used on this item.

